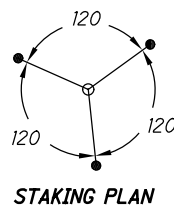
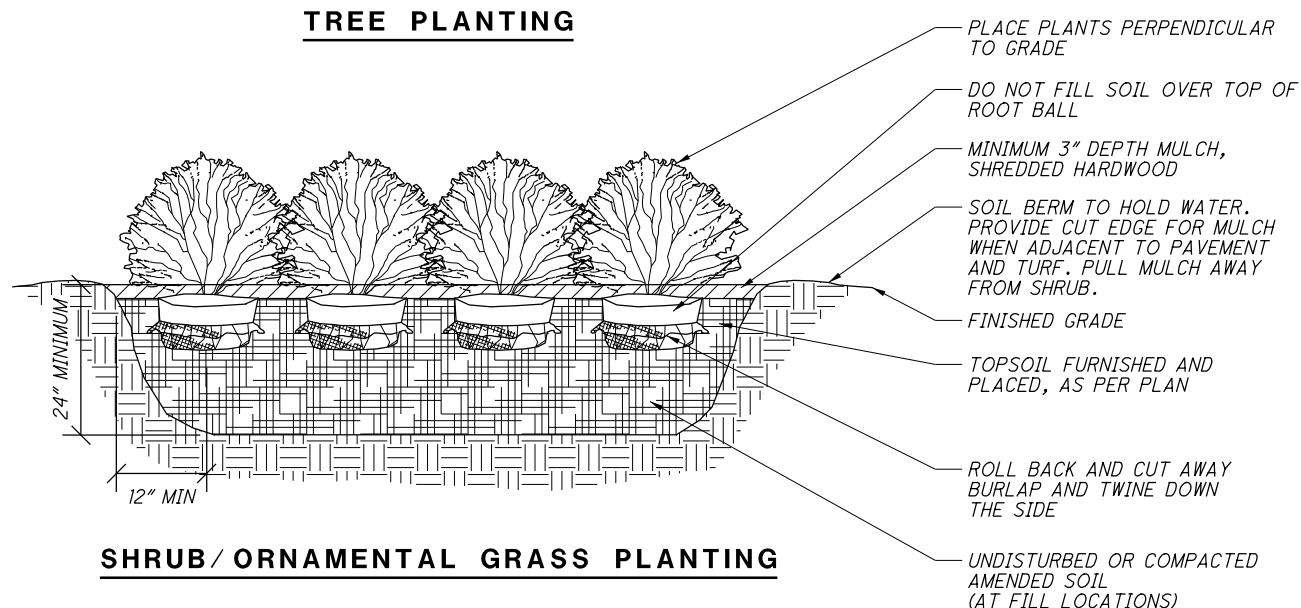
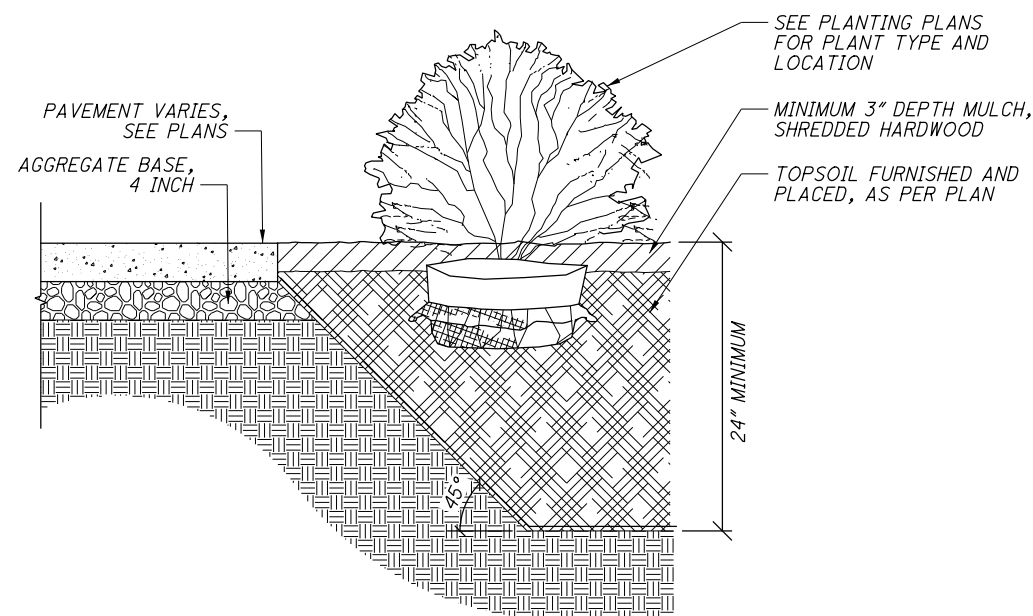
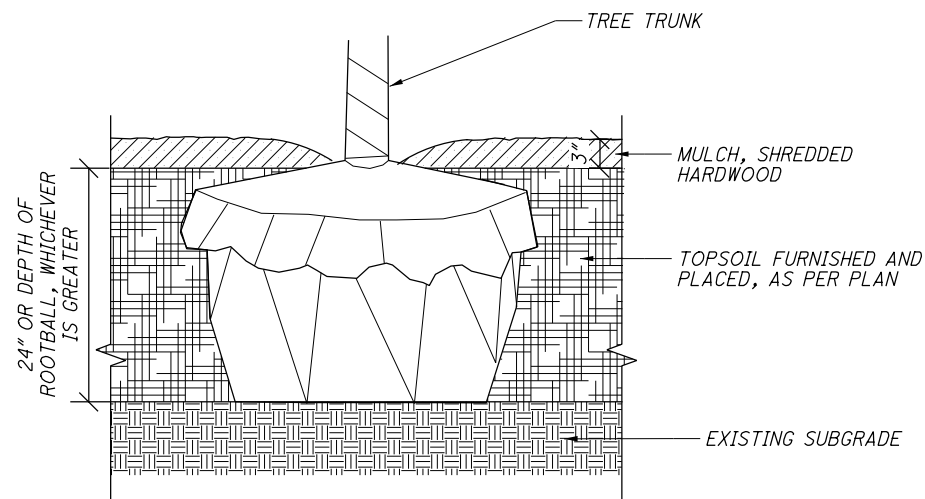
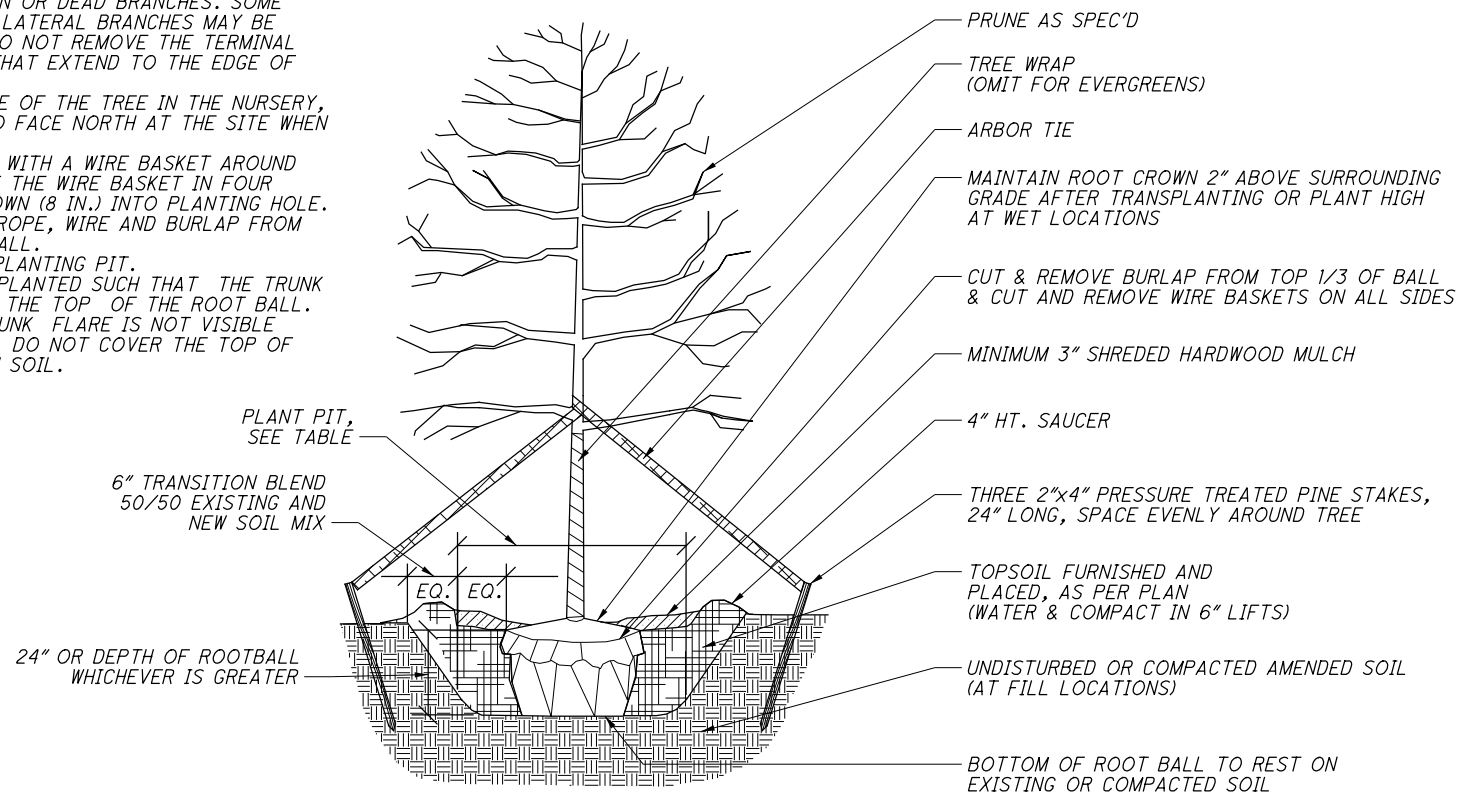


NOTES:

1. CONTRACTOR SHALL ASSURE PERCOLATION OF ALL PLANTING PITS PRIOR TO INSTALLATION.
2. FINAL TREE STAKING PLACEMENT TO BE APPROVED BY OWNER.
3. DO NOT HEAVILY PRUNE THE TREE AT PLANTING. PRUNE ONLY CROSSOVER LIMBS, CO-DOMINANT LEADERS, AND BROKEN OR DEAD BRANCHES. SOME INTERIOR TWIGS AND LATERAL BRANCHES MAY BE PRUNED, HOWEVER, DO NOT REMOVE THE TERMINAL BUDS OF BRANCHES THAT EXTEND TO THE EDGE OF THE CROWN.
4. MARK THE NORTH SIDE OF THE TREE IN THE NURSERY, AND ROTATE TREE TO FACE NORTH AT THE SITE WHEN EVER POSSIBLE.
5. IF PLANT IS SHIPPED WITH A WIRE BASKET AROUND THE ROOT BALL, CUT THE WIRE BASKET IN FOUR PLACES AND FOLD DOWN (8 IN.) INTO PLANTING HOLE.
6. REMOVE ALL TWINE, ROPE, WIRE AND BURLAP FROM TOP HALF OF ROOTBALL.
7. SET TREE PLUMB IN PLANTING PIT.
8. EACH TREE MUST BE PLANTED SUCH THAT THE TRUNK FLARE IS VISIBLE AT THE TOP OF THE ROOT BALL. TREES WHERE THE TRUNK FLARE IS NOT VISIBLE SHALL BE REJECTED. DO NOT COVER THE TOP OF THE ROOT BALL WITH SOIL.



| BALL SIZE | PIT WIDTH AT BOTTOM |
|-----------|----------------------|
| UP TO 48" | DIA/ OF BALL + 2' |
| OVER 48" | 1 3/4 X DIA. OF BALL |

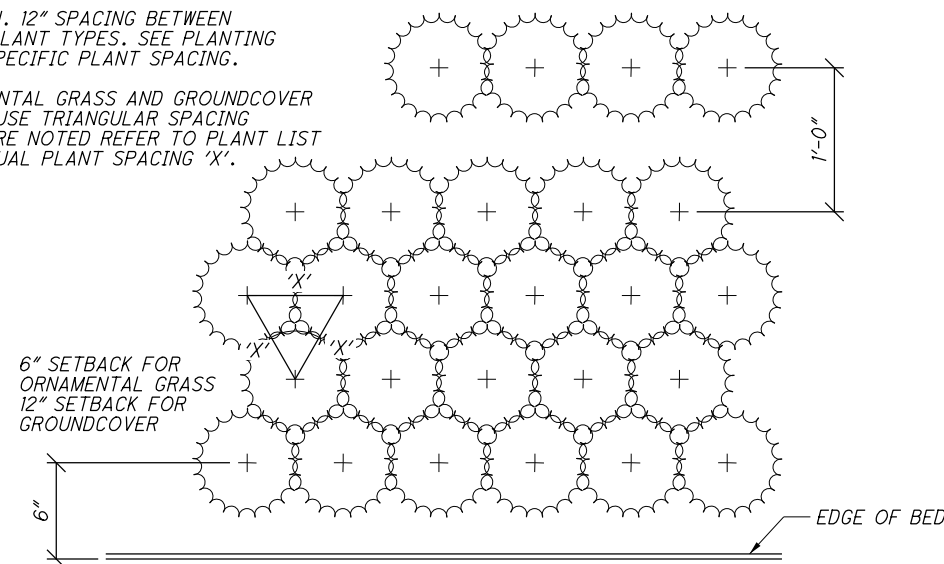


EXCAVATION FOR SOIL AT PAVEMENT AND STRUCTURES

NOTES:

PROVIDE MIN. 12" SPACING BETWEEN DIFFERENT PLANT TYPES. SEE PLANTING PLAN FOR SPECIFIC PLANT SPACING.

ALL ORNAMENTAL GRASS AND GROUNDCOVER MASSES TO USE TRIANGULAR SPACING EXCEPT WHERE NOTED REFER TO PLANT LIST FOR INDIVIDUAL PLANT SPACING 'X'.

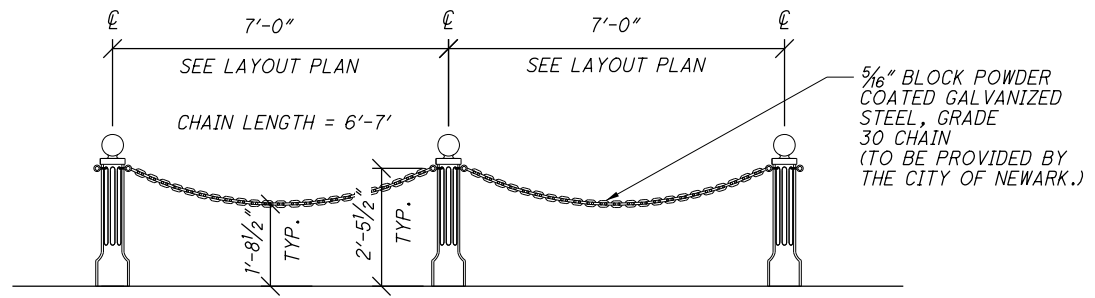


P:\6501_6999\6523200010.LIC-SR13-9.54_4th_and_Main_V0D0T\11088_4TH_MAIN_RB_T\Design\Landscape\Sheets\11088_PD001.dgn 3/29/2022 10:07:16 AM jgr/mm

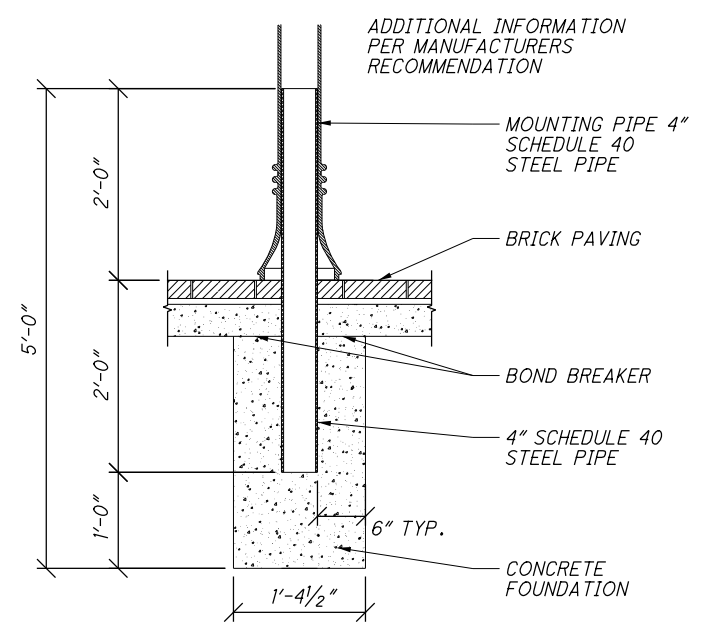
ITEM 653 - TOPSOIL FURNISHED AND PLACED, AS PER PLAN
IN ADDITION TO THE REQUIREMENTS OF C&MS SECTION 653, THE FOLLOWING SHALL ALSO APPLY:

PROVIDE SOIL MIX THAT MEETS THE FOLLOWING MINIMUM REQUIREMENTS:
10-20% CLAY
60-75% SAND
20-30% SILT
PH = 6.3 - 7.5

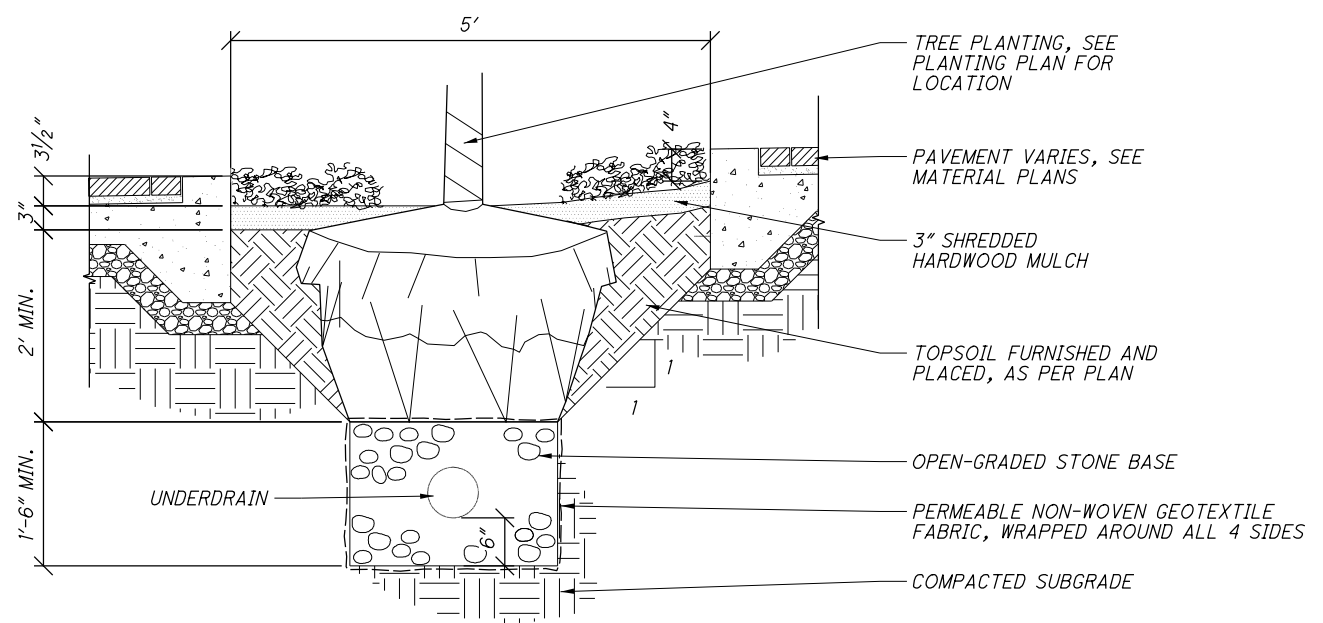
PAYMENT FOR ITEM 653, TOPSOIL FURNISHED AND PLACED, AS PER PLAN SHALL BE MEASURED AT THE CONTRACT UNIT PRICE PER CY IN PLACE, AND INCLUDE ALL LABOR, MATERIALS, AND EQUIPMENT NECESSARY TO COMPLETE THE ABOVE DESCRIBED TASK.



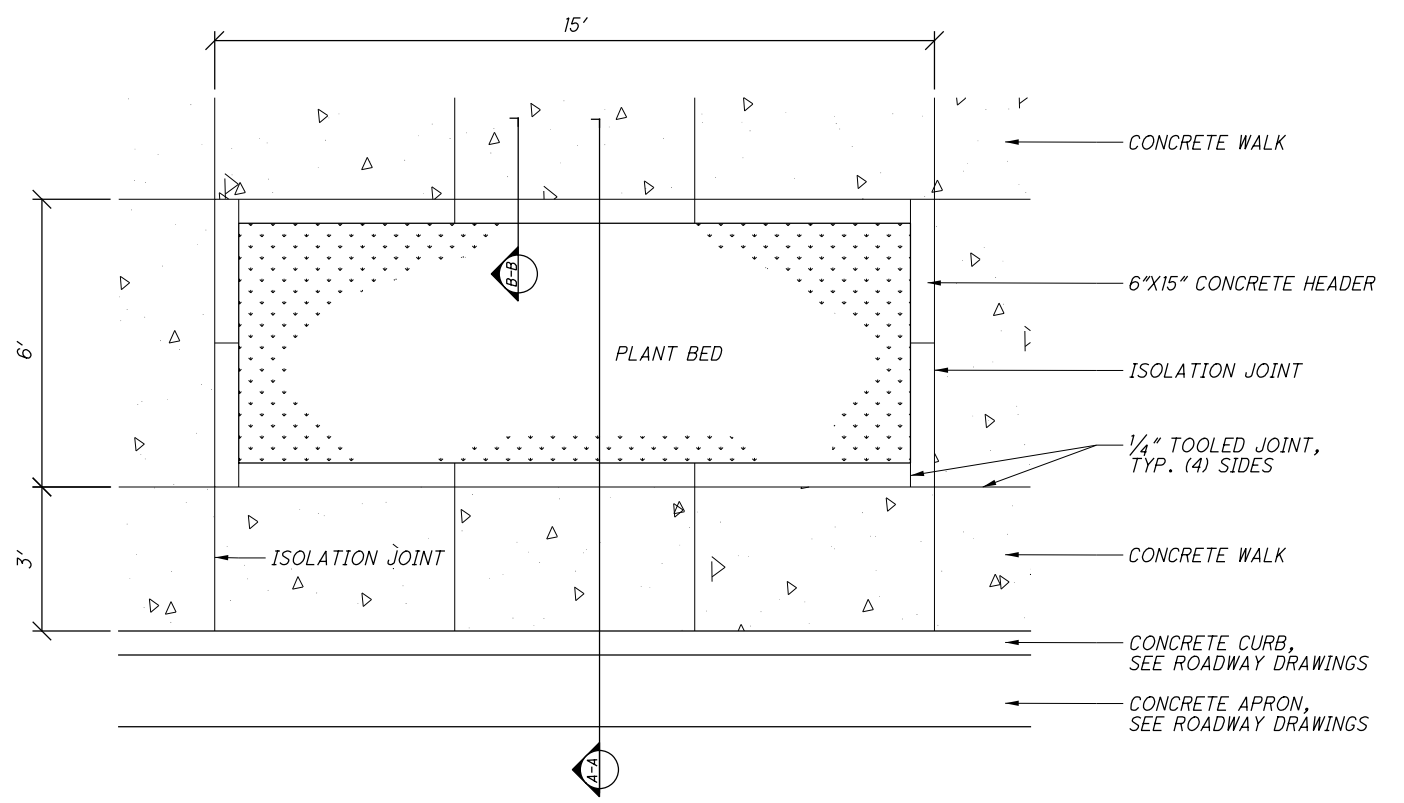
CHAIN AT BOLLARD - ELEVATION



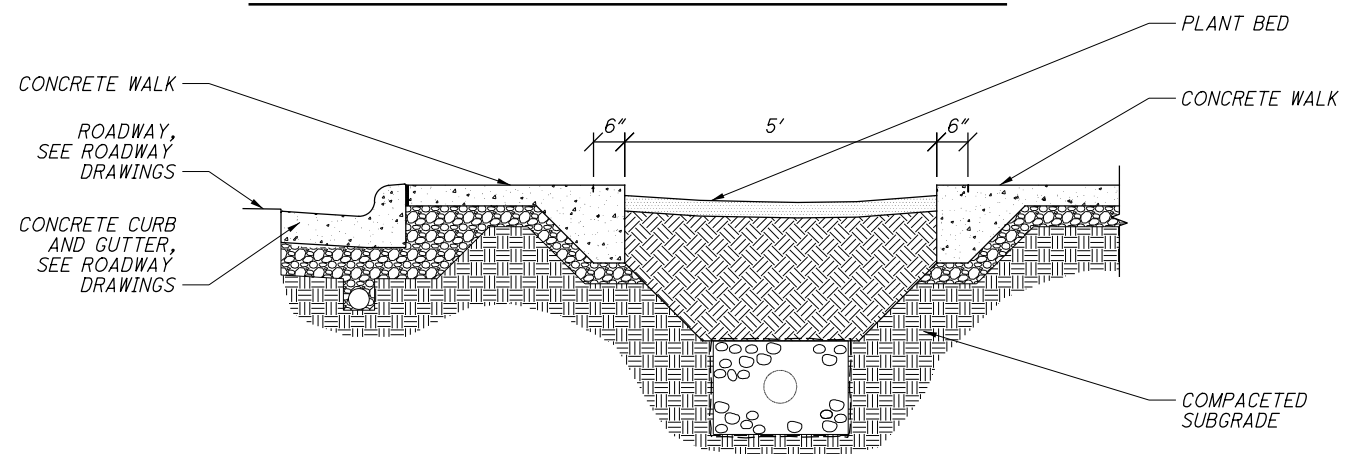
BOLLARD FOUNDATION



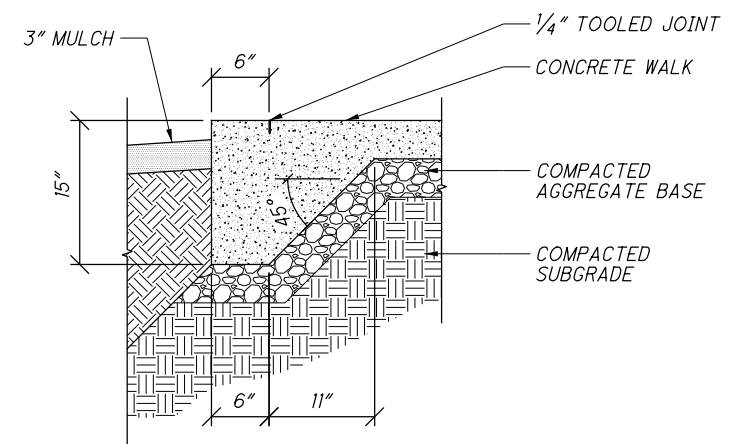
FLUSH PLANTER PLANTING DETAIL



CONCRETE AT CONCRETE PLANTER - PLAN



A-A FLUSH PLANTER SECTION



B-B PLANTER CURB

P:\6501_6999\6523200010_LIC-SR13-9.54_4th_and_Main_0DOT\11088_4TH_MAIN_RBT_Design\Landscape\Sheets\11088_PD002.dgn 3/29/2022 9:42:31 AM jgr:imm

CALCULATED
JLU
CHECKED
FRR

SITE DETAILS

LIC-SR13-9.54