

ITEM 614, MAINTAINING TRAFFIC

ALL EXISTING LANES FOR BOTH DIRECTIONS ON SR 2 AND MCCORD RD SHALL BE MAINTAINED AT ALL TIMES EXCEPT THAT SINGLE LANE CLOSURES ARE PERMITTED FOR THE CONSTRUCTION OF THE CURB RAMPS, RESURFACING AND THE INSTALLATION OF TRAFFIC SIGNAL ITEMS. ALL LANE CLOSURES FOR THIS WORK SHALL OCCUR DURING THE HOURS OF 7:00 PM AND 6:00 AM.

FOR THE CONSTRUCTION OF CONCRETE MEDIAN ISLANDS ON MCCORD RD., THE CONTRACTOR MAY CLOSE ONE LANE IN EACH DIRECTION AND THE ADJACENT CORRESPONDING LANES AT INTERSECTIONS FOR ONE WEEKEND. THE WEEKEND CLOSURE SHALL BE DURING THE HOURS OF 7:00 PM FRIDAY TO 6:00 AM MONDAY. DAMAGES SHALL BE ASSESSED IN THE AMOUNT OF \$125 PER MINUTE THE LANE(S) ARE CLOSED OUTSIDE OF THE SPECIFIED TIMES.

THE REMOVAL OF THE EXISTING SPAN WIRE SIGNAL AT THE SR 2 & MCCORD RD INTERSECTION REQUIRES A SHORT TERM COMPLETE CLOSURE OF THE INTERSECTION. THE CLOSURE FOR THIS INTERSECTION SHALL BE IN ACCORDANCE WITH THE MAINTENANCE OF TRAFFIC SIGNAL/FLASHER NOTE ON SHEET 7.

ALL EXISTING LANES ON SPRINGVALLEY DR SHALL REMAIN OPEN AT ALL TIMES EXCEPT FOR SHORT TERM RESTRICTIONS AT THE INTERSECTION IN WHICH TRAFFIC WILL BE MAINTAINED UTILIZING LEOS IN ACCORDANCE WITH THE MAINTENANCE OF TRAFFIC SIGNAL/FLASHER NOTE ON SHEET 7.

ONE LANE IN EACH DIRECTION ON CENTERS DRIVE SHALL BE MAINTAINED AT ALL TIMES EXCEPT FOR A PERIOD OF ONE WEEKEND WHEN THE WESTBOUND LANE MAY BE CLOSED TO TRAFFIC FOR THE CONSTRUCTION OF THE CONCRETE MEDIAN. THE WEEKEND CLOSURE SHALL BE DURING THE HOURS OF 7:00 PM FRIDAY TO 6:00 AM MONDAY. DAMAGES SHALL BE ASSESSED IN THE AMOUNT OF \$125 PER MINUTE THE LANE(S) ARE CLOSED OUTSIDE THE SPECIFIED TIMES.

TEMPORARY NO LEFT TURN (R3-2-24) SIGNS SHALL BE INSTALLED AT THE CENTERS DR AND MCCORD RD INTERSECTION FOR NORTHBOUND MCCORD RD AND WESTBOUND CENTERS DR UNTIL THE PERMANENT SIGNS SHOWN IN THESE PLANS ARE INSTALLED.

ONE-WAY TRAFFIC MAY BE MAINTAINED ON CENTERS DR FOR RESURFACING WORK. LANE CLOSURES FOR THIS WORK SHALL OCCUR DURING OFF PEAK PERIODS AND SHALL BE AT THE APPROVAL OF THE ENGINEER.

ALL LANE CLOSURES SHALL BE IN ACCORDANCE WITH THE OHIO MANUAL OF UNIFORM TRAFFIC CONTROL DEVICES AND ODOT'S STANDARD CONSTRUCTION DRAWINGS. RESTRICTIONS ON LANE CLOSURES SHALL BE AS STATED ELSEWHERE IN THESE PLANS.

ALL LANE CLOSURES ON MCCORD RD, CENTERS DR. AND SPRINGVALLEY DR. SHALL BE COORDINATED WITH LUCAS COUNTY ENGINEER'S TRAFFIC PERSONNEL PRIOR TO THE CLOSURE.

LENGTH AND DURATION OF LANE CLOSURES AND RESTRICTIONS SHALL BE AT THE APPROVAL OF THE ENGINEER. IT IS THE INTENT TO MINIMIZE THE IMPACT TO THE TRAVELING PUBLIC. LANE CLOSURES OR RESTRICTIONS OVER SEGMENTS OF THE PROJECT IN WHICH NO WORK IS ANTICIPATED WITHIN A REASONABLE TIME FRAME, AS DETERMINED BY THE ENGINEER, SHALL NOT BE PERMITTED. THE LEVEL OF UTILIZATION OF MAINTENANCE OF TRAFFIC DEVICES SHALL BE COMMENSURATE WITH THE WORK IN PROGRESS.

VOIDS FROM EXCAVATION/REMOVAL OF EXISTING CURB AND GUTTERS, ETC., THAT CANNOT BE REPLACED BY THE "OPEN TO TRAFFIC" TIME SHALL BE TEMPORARILY BACKFILLED UP TO WITHIN 3" OF THE SURFACE AND SLOPED AT A 3:1 SLOPE BACK AWAY FROM THE OPEN LANE OF TRAFFIC.

ALL MANHOLES, CATCH BASINS, AND MONUMENT BOXES OR RECONSTRUCTIONS THAT REQUIRE A LANE CLOSURE SHALL BE COMPLETED AND REOPENED TO TRAFFIC WITHIN 36 HOURS. ALL STRUCTURES IN THE SAME TRAFFIC LANE SHALL BE COMPLETED AT THE SAME TIME. DAMAGES IN THE AMOUNT OF \$100 PER HOUR SHALL BE ASSESSED FOR CLOSURES LONGER THAN 36 HOURS.

NO PLANED SURFACES SHALL BE OPEN TO TRAFFIC FOR MORE THAN 7 DAYS. IF THE PLANED SURFACE IS OPEN FOR MORE THAN 7 DAYS, THEN IT IS THE CONTRACTOR'S RESPONSIBILITY TO REPAIR THE PAVEMENT FAILURES THAT OCCURRED AFTER 7 DAYS, AT NO ADDITIONAL COST TO ODOT.

ALL WORK AND TRAFFIC CONTROL DEVICES SHALL BE IN ACCORDANCE WITH C&MS 614 AND OTHER APPLICABLE PORTIONS OF THE SPECIFICATIONS, AS WELL AS THE OHIO MANUAL OF UNIFORM TRAFFIC CONTROL DEVICES. PAYMENT FOR ALL LABOR, EQUIPMENT AND MATERIALS SHALL BE INCLUDED IN THE LUMP SUM CONTRACT PRICE FOR ITEM 614, MAINTAINING TRAFFIC, UNLESS SEPARATELY ITEMIZED IN THE PLAN.

INTERIM COMPLETION DATE

ALL WORK FROM STA 50+98 TO 57+47.72 SHALL BE DONE BY 7/31/2022. A DISINCENTIVE OF \$600/DAY SHALL BE APPLIED SHOULD THE CONTRACTOR FAIL TO MEET THE INTERIM COMPLETE DATE.

WORK ZONE MARKINGS AND SIGNS

THE FOLLOWING ESTIMATED QUANTITIES (BASED ON 3 APPLICATIONS) HAVE BEEN CARRIED TO THE GENERAL SUMMARY FOR USE AT LOCATIONS IDENTIFIED BY THE ENGINEER FOR WORK ZONE PAVEMENT MARKINGS AND SIGNS PER THE REQUIREMENTS OF C&MS 614.04 AND 614.11.

ITEM 614, WORK ZONE LANE LINE, CLASS I, 4"	1.5 MILE
ITEM 614, WORK ZONE CENTER LINE, CLASS I	1.5 MILE
ITEM 614, WORK ZONE EDGE LINE, CLASS I, 4"	3 MILE
ITEM 614, WORK ZONE CHANNELIZING LINE, CLASS I, 8"	1347 FT
ITEM 614, WORK ZONE STOP LINE, CLASS I	357 FT
ITEM 614, WORK ZONE CROSS WALK LINE, 24", 740.06, TYPE I	2592 FT
ITEM 614, WORK ZONE ARROW, CLASS I	72 EACH

ITEM 614 - LAW ENFORCEMENT OFFICER (WITH PATROL CAR) FOR ASSISTANCE DURING CONSTRUCTION OPERATIONS
USE OF LAW ENFORCEMENT OFFICERS (LEOS) BY CONTRACTORS OTHER THAN THE USES SPECIFIED BELOW WILL NOT BE PERMITTED AT PROJECT COST. LEOS SHOULD NOT BE USED WHERE THE OMUTCD INTENDS THAT FLAGGERS BE USED.

IN ADDITION TO THE REQUIREMENTS OF C&MS 614 AND THE OMUTCD, A UNIFORMED LEO WITH AN OFFICIAL PATROL CAR (CAR WITH TOP-MOUNTED EMERGENCY FLASHING LIGHTS AND COMPLETE MARKINGS OF THE APPROPRIATE LAW ENFORCEMENT AGENCY) SHALL BE PROVIDED FOR THE FOLLOWING TRAFFIC CONTROL TASKS:

DURING THE ENTIRE ADVANCE PREPARATION AND CLOSURE SEQUENCE WHERE COMPLETE BLOCKAGE OF TRAFFIC IS REQUIRED.

DURING A TRAFFIC SIGNAL INSTALLATION WHEN IMPACTING THE NORMAL FUNCTION OF THE SIGNAL OR THE FLOW OF TRAFFIC, OR WHEN TRAFFIC NEEDS TO BE DIRECTED THROUGH AN ENERGIZED TRAFFIC SIGNAL CONTRARY TO THE SIGNAL DISPLAY (E.G., DIRECTING MOTORISTS THROUGH A RED LIGHT).

IN ADDITION TO THE REQUIREMENT OF C&MS 614 AND THE OMUTCD, A UNIFORMED LEO WITH AN OFFICIAL PATROL CAR (CAR WITH TOP-MOUNTED EMERGENCY FLASHING LIGHTS AND COMPLETE MARKINGS OF THE APPROPRIATE LAW ENFORCEMENT AGENCY) SHOULD BE PROVIDED FOR THE FOLLOWING TRAFFIC CONTROL TASKS AS APPROVED BY THE ENGINEER:

FOR LANE CLOSURES: DURING INITIAL SET-UP PERIODS, TEAR DOWN PERIODS, SUBSTANTIAL SHIFTS OF A CLOSURE POINT OR WHEN A NEW LANE CLOSURE ARRANGEMENTS ARE INITIATED FOR LONG-TERM LANE CLOSURES/SHIFTS (FOR THE FIRST AND LAST DAY OF MAJOR CHANGES IN TRAFFIC CONTROL SETUP).

IN GENERAL, LEOS SHOULD BE POSITIONED IN ADVANCE OF AND ON THE SAME SIDE AS THE LANE RESTRICTION OR AT THE POINT OF ROAD CLOSURE, AND TO MANUALLY CONTROL TRAFFIC MOVEMENTS THROUGH SIGNALIZED INTERSECTIONS IN WORK ZONES.

LEOS SHOULD NOT FORGO THEIR TRAFFIC CONTROL RESPONSIBILITIES TO APPREHEND MOTORISTS FOR ROUTINE TRAFFIC VIOLATIONS. HOWEVER, IF A MOTORIST'S ACTIONS ARE CONSIDERED TO BE RECKLESS, THEN PURSUIT OF THE MOTORIST IS APPROPRIATE.

THE LEOS WORK AT THE DIRECTION OF THE CONTRACTOR. THE CONTRACTOR IS RESPONSIBLE FOR SECURING THE SERVICES OF THE LEOS WITH THE APPROPRIATE AGENCIES AND COMMUNICATING THE INTENTIONS OF THE PLANS WITH RESPECT TO DUTIES OF THE LEOS. THE ENGINEER SHALL HAVE FINAL CONTROL OVER THE LEOS' DUTIES AND PLACEMENT, AND WILL RESOLVE ANY ISSUES THAT MAY ARISE BETWEEN THE TWO PARTIES.

ENSURE PROVIDED LEOS HAVE BEEN TRAINED APPROPRIATE TO THE JOB DECISIONS THEY ARE REQUIRED TO MAKE WHILE ON THE PROJECT, IN ACCORDANCE WITH C&MS 614.03.

THE LEO SHALL REPORT IN TO THE CONTRACTOR PRIOR TO THE START OF THE SHIFT, IN ORDER TO RECEIVE INSTRUCTIONS REGARDING THE SPECIFIC WORK ASSIGNMENTS DURING HIS/HER SHIFT. THE LEO IS EXPECTED TO STAY AT THE PROJECT SITE FOR THE ENTIRE DURATION OF HIS/HER SHIFT. THE LEO SHALL REPORT TO THE CONTRACTOR AT THE END OF HIS/HER SHIFT. SHOULD IT BE NECESSARY TO LEAVE THE PROJECT SITE, THE LEO SHALL NOTIFY THE ENGINEER. THE CONTRACTOR SHALL PROVIDE THE LEO WITH A TWO-WAY COMMUNICATION DEVICE WHICH SHALL BE RETURNED TO THE CONTRACTOR AT THE END OF HIS/HER SHIFT.

LEOS (WITH PATROL CAR) REQUIRED BY THE TRAFFIC MAINTENANCE TASKS ABOVE SHALL BE PAID FOR ON A UNIT PRICE (HOURLY) BASIS UNDER ITEM 614, LAW ENFORCEMENT OFFICER (WITH PATROL CAR) FOR ASSISTANCE. THE FOLLOWING ESTIMATED QUANTITIES HAVE BEEN CARRIED TO THE GENERAL SUMMARY:

ITEM 614, LAW ENFORCEMENT OFFICER WITH PATROL CAR FOR ASSISTANCE 36 HOURS

THE HOURS PAID SHALL INCLUDE ANY MINIMUM SHOW-UP TIME REQUIRED BY THE LAW ENFORCEMENT AGENCY INVOLVED.

ANY ADDITIONAL COSTS (ADMINISTRATIVE OR OTHERWISE) INCURRED BY THE CONTRACTOR TO OBTAIN THE SERVICES OF A LEO ARE INCLUDED WITH THE BID UNIT PRICE FOR ITEM 614, LAW ENFORCEMENT OFFICER WITH PATROL CAR FOR ASSISTANCE.

NOTIFICATION OF TRAFFIC RESTRICTIONS

THROUGHOUT THE DURATION OF THE PROJECT, THE CONTRACTOR SHALL NOTIFY THE PROJECT ENGINEER AND THE LUCAS COUNTY ENGINEER'S OFFICE IN WRITING OF ALL TRAFFIC RESTRICTIONS AND UPCOMING MAINTENANCE OF TRAFFIC CHANGES. THE CONTRACTOR SHALL ENSURE THE WRITING OF ALL TRAFFIC RESTRICTIONS AND UPCOMING MAINTENANCE OF TRAFFIC CHANGES. THE CONTRACTOR SHALL ENSURE THE WRITTEN NOTIFICATION IS SUBMITTED IN A TIMELY MANNER TO ALLOW THE PROJECT ENGINEER TO MEET THE REQUIRED TIME FRAMES SET FORTH IN THE TABLE BELOW TO INFORM THE SPECIAL HAULING PERMITS SECTION (HAULING.PERMITS@DOT.OHIO.GOV) AND THE DISTRICT PUBLIC INFORMATION OFFICE (PIO). THIS NOTIFICATION SHALL BE RECEIVED BY THE PROJECT ENGINEER PRIOR TO THE PHYSICAL SETUP OF ANY APPLICABLE SIGNS OR MESSAGE BOARDS.

INFORMATION SHOULD INCLUDE, BUT IS NOT LIMITED TO, ALL CONSTRUCTION ACTIVITIES THAT IMPACT OR INTERFERE WITH TRAFFIC AND SHALL LIST THE SPECIFIC LOCATION, TYPE OF WORK, ROAD STATUS, DATE AND TIME OF RESTRICTION, DURATION OF RESTRICTION, NUMBER OF LANES MAINTAINED, NUMBER OF LANES CLOSED, MINIMUM VERTICAL CLEARANCE, MINIMUM WIDTH OF DRIVABLE PAVEMENT, DETOUR ROUTES, IF APPLICABLE, AND ANY OTHER INFORMATION REQUESTED BY THE PROJECT ENGINEER.

NOTIFICATION TIME TABLE		
ITEM	DURATION OF CLOSURE	NOTICE DUE TO PERMITS & PIO
RAMP & ROAD CLOSURES	>= 2 WEEKS	21 CALENDAR DAYS PRIOR TO CLOSURE
	> 12HOURS & < 2 WEEKS	14 CALENDAR DAYS PRIOR TO CLOSURE
	< 12 HOURS	4 BUSINESS DAYS PRIOR TO CLOSURE
LANE CLOSURES & RESTRICTIONS	>= 2 WEEKS	14 CALENDAR DAYS PRIOR TO CLOSURE
	< 2 WEEKS	5 BUSINESS DAYS PRIOR TO CLOSURE
START OF CONSTRUCTION & TRAFFIC PATTERN CHANGES	NA	14 CALENDAR DAYS 1PRIOR TO IMPLEMENTATION

ANY UNFORESEEN CONDITIONS NOT SPECIFIED IN THE PLANS REQUIRING TRAFFIC RESTRICTIONS SHALL ALSO BE REPORTED TO THE PROJECT ENGINEER USING THE NOTIFICATION TIME TABLE.

THE ODOT PROJECT ENGINEER SHALL FORWARD THE CONSTRUCTION NOTIFICATION INFORMATION TO THE FOLLOWING DEPARTMENTS WITHIN THE TIMELINE OUTLINED IN TEM PART 642-58 TO ENSURE COMPLIANCE WITH FEDERAL NOTIFICATION REQUIREMENTS:

DISTRICT PUBLIC INFORMATION OFFICER (PIO) BY PHONE AT: (419) 373-4428 OR EMAIL AT: D02.pio@dot.ohio.gov

DISTRICT PERMIT SECTION BY PHONE AT: (419) 373-4301 OR EMAIL AT: D02.PERMITS@dot.ohio.gov



SHEET NUM.										PART.	ITEM	ITEM	GRAND	UNIT	DESCRIPTION	SEE SHEET NO.
25	26	35								01/SAF /PV		EXT	TOTAL			
TRAFFIC CONTROL																
153										153	644	00700	153	FT	TRANSVERSE/DIAGONAL LINE	
2										2	644	01100	2	EACH	SCHOOL SYMBOL MARKING, 72"	
24										24	644	01300	24	EACH	LANE ARROW	
434										434	644	01510	434	FT	DOTTED LINE, 6"	
21										21	644	20800	21	FT	YIELD LINE	
122										122	644	30000	122	FT	REMOVAL OF PAVEMENT MARKING	
28										28	644	30020	28	EACH	REMOVAL OF PAVEMENT MARKING	
	2									2	828	00100	2	EACH	LED BLANKOUT SIGN, TYPE R3-1, SIZE 36 X 36	
TRAFFIC SIGNALS																
		296								296	611	96600	296	FT	CONDUIT, BORED OR JACKED, 3", 725.04	
		150								150	611	96600	150	FT	CONDUIT, BORED OR JACKED, 4", 725.04	
		4								4	625	10490	4	EACH	LIGHT POLE, CONVENTIONAL, 15'	
		4								4	625	14000	4	EACH	LIGHT POLE FOUNDATION, 24" X 6' DEEP	
		885								885	625	23306	885	FT	NO. 10 AWG 600 VOLT DISTRIBUTION CABLE	
		251								251	625	25402	251	FT	CONDUIT, 2", 725.05	
		296								296	625	25500	296	FT	CONDUIT, 3", 725.04	
		20								20	625	25502	20	FT	CONDUIT, 3", 725.05	
		150								150	625	25600	150	FT	CONDUIT, 4", 725.04	
		22								22	625	25602	22	FT	CONDUIT, 4", 725.05	
		238								238	625	29000	238	FT	TRENCH	
		4								4	625	30706	4	EACH	PULL BOX 725.08, 24"	
		5								5	625	32000	5	EACH	GROUND ROD	
		20								20	632	05006	20	EACH	VEHICULAR SIGNAL HEAD, (LED), 3-SECTION, 12" LENS, 1-WAY, POLYCARBONATE, BLACK	
		2								2	632	05086	2	EACH	VEHICULAR SIGNAL HEAD, (LED), 5-SECTION, 12" LENS, 1-WAY, POLYCARBONATE, BLACK	
		8								8	632	20730	8	EACH	PEDESTRIAN SIGNAL HEAD (LED), TYPE D2, COUNTDOWN	
		21								21	632	25000	21	EACH	COVERING OF VEHICULAR SIGNAL HEAD	
		8								8	632	26000	8	EACH	PEDESTRIAN PUSHBUTTON	
		112								112	632	40200	112	FT	SIGNAL CABLE, 2 CONDUCTOR, NO. 14 AWG	
		3,286								3,286	632	40500	3,286	FT	SIGNAL CABLE, 5 CONDUCTOR, NO. 14 AWG	
		2,307								2,307	632	40700	2,307	FT	SIGNAL CABLE, 7 CONDUCTOR, NO. 14 AWG	
		100								100	632	62810	100	FT	INTERCONNECT CABLE, MISC.: ETHERNET RADIO	34
		4								4	632	64011	4	EACH	SIGNAL SUPPORT FOUNDATION, AS PER PLAN	33
		4								4	632	64020	4	EACH	PEDESTAL FOUNDATION	
		100								100	632	68200	100	FT	POWER CABLE, 2 CONDUCTOR, NO. 6 AWG	
		100								100	632	69900	100	FT	SERVICE CABLE, 3 CONDUCTOR, NO. 4 AWG	
		4								4	632	77233	4	EACH	SIGNAL SUPPORT, MECHANICAL DAMPER FOR TC-81.21 MAST ARM (GREATER THAN 39' IN LENGTH), AS PER PLAN	33
		2								2	632	81094	2	EACH	COMBINATION SIGNAL SUPPORT, TYPE TC-81.21, DESIGN 14	
		2								2	632	81095	2	EACH	COMBINATION SIGNAL SUPPORT, TYPE TC-81.21, DESIGN 14, AS PER PLAN	33
		4								4	632	89600	4	EACH	PEDESTAL, 8'	
		1								1	632	90100	1	EACH	REMOVAL OF TRAFFIC SIGNAL INSTALLATION	
		2								2	632	90200	2	EACH	REUSE OF VEHICULAR SIGNAL HEAD	
		1								1	633	65510	1	EACH	CABINET, TYPE TS-2	
		1								1	633	67100	1	EACH	CABINET FOUNDATION	
		1								1	633	67200	1	EACH	CONTROLLER WORK PAD	
		1								1	633	75000	1	EACH	UNINTERRUPTIBLE POWER SUPPLY (UPS), 1000 WATT	
		1								1	809	65990	1	EACH	ITS DEVICE, MISC.: REMOVAL AND RE-INSTALLATION OF PTZ CAMERA	34
		1								1	809	65990	1	EACH	ITS DEVICE, MISC.: REMOVAL AND RE-INSTALLATION OF ETHERNET RADIO	34
		4								4	809	69100	4	EACH	STOP LINE RADAR DETECTION	
		1								1	809	69122	1	EACH	ATC CONTROLLER	

GENERAL SUMMARY

DESIGN AGENCY

 DESIGNER
 ALT
 REVIEWER
 LMH 01-22-21
 PROJECT ID
 111021
 SHEET TOTAL
 13 55

SHEET NUM.						PART.	ITEM	ITEM	GRAND	UNIT	DESCRIPTION	SEE SHEET NO.
32	33	34	36	40		01/SAF /PV	EXT	TOTAL				
											TRAFFIC SIGNALS	
			296			296	611	96600	296	FT	CONDUIT, BORED OR JACKED, 3", 725.04	
			150			150	611	96600	150	FT	CONDUIT, BORED OR JACKED, 4", 725.04	
			4			4	625	10490	4	EACH	LIGHT POLE, CONVENTIONAL, 15'	
			4			4	625	14000	4	EACH	LIGHT POLE FOUNDATION, 24" X 6' DEEP	
			885			885	625	23306	885	FT	NO. 10 AWG 600 VOLT DISTRIBUTION CABLE	
			251			251	625	25402	251	FT	CONDUIT, 2", 725.05	
			296			296	625	25500	296	FT	CONDUIT, 3", 725.04	
			20			20	625	25502	20	FT	CONDUIT, 3", 725.05	
			150			150	625	25600	150	FT	CONDUIT, 4", 725.04	
			22			22	625	25602	22	FT	CONDUIT, 4", 725.05	
			238			238	625	29000	238	FT	TRENCH	
			4			4	625	30706	4	EACH	PULL BOX, 725.08, 24"	
			5			5	625	32000	5	EACH	GROUND ROD	
			19	1		20	632	05006	20	EACH	VEHICULAR SIGNAL HEAD, (LED), 3-SECTION, 12" LENS, 1-WAY, POLYCARBONATE, BLACK	
			2			2	632	05086	2	EACH	VEHICULAR SIGNAL HEAD, (LED), 5-SECTION, 12" LENS, 1-WAY, POLYCARBONATE, BLACK	
			8			8	632	20730	8	EACH	PEDESTRIAN SIGNAL HEAD (LED), TYPE D2, COUNTDOWN	
			21			21	632	25000	21	EACH	COVERING OF VEHICULAR SIGNAL HEAD	
			8			8	632	26000	8	EACH	PEDESTRIAN PUSHBUTTON	
			112			112	632	40200	112	FT	SIGNAL CABLE, 2 CONDUCTOR, NO. 14 AWG	
			3,286			3,286	632	40500	3,286	FT	SIGNAL CABLE, 5 CONDUCTOR, NO. 14 AWG	
			2,307			2,307	632	40700	2,307	FT	SIGNAL CABLE, 7 CONDUCTOR, NO. 14 AWG	
			100			100	632	62810	100	FT	INTERCONNECT CABLE, MISC.: ETHERNET RADIO	34
			4			4	632	64011	4	EACH	SIGNAL SUPPORT FOUNDATION, AS PER PLAN	33
			4			4	632	64020	4	EACH	PEDESTAL FOUNDATION	
			100			100	632	68200	100	FT	POWER CABLE, 2 CONDUCTOR, NO. 6 AWG	
			100			100	632	69900	100	FT	SERVICE CABLE, 3 CONDUCTOR, NO. 4 AWG	
			4			4	632	77233	4	EACH	SIGNAL SUPPORT, MECHANICAL DAMPER FOR TC-81.21 MAST ARM (GREATER THAN 39' IN LENGTH), AS PER PLAN	33
			2			2	632	81094	2	EACH	COMBINATION SIGNAL SUPPORT, TYPE TC-81.21, DESIGN 14	
			2			2	632	81095	2	EACH	COMBINATION SIGNAL SUPPORT, TYPE TC-81.21, DESIGN 14, AS PER PLAN	33
			4			4	632	89600	4	EACH	PEDESTAL, 8'	
			1			1	632	90100	1	EACH	REMOVAL OF TRAFFIC SIGNAL INSTALLATION	
				2		2	632	90200	2	EACH	REUSE OF VEHICULAR SIGNAL HEAD	
			1			1	633	65510	1	EACH	CABINET, TYPE TS-2	
			1			1	633	67100	1	EACH	CABINET FOUNDATION	
			1			1	633	67200	1	EACH	CONTROLLER WORK PAD	
			1			1	633	75000	1	EACH	UNINTERRUPTIBLE POWER SUPPLY (UPS), 1000 WATT	
			1			1	809	65990	1	EACH	ITS DEVICE, MISC.: REMOVAL AND RE-INSTALLATION OF PTZ CAMERA	34
			1			1	809	65990	1	EACH	ITS DEVICE, MISC.: REMOVAL AND RE-INSTALLATION OF ETHERNET RADIO	34
			4			4	809	69100	4	EACH	STOP LINE RADAR DETECTION	
			1			1	809	69122	1	EACH	ATC CONTROLLER	





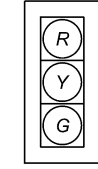
SIGNAL PLAN
MCCORD RD & AIRPORT HWY.

DESIGN AGENCY	Mannik Smith Group
DESIGNER	NEC
REVIEWER	JMH 07-24-20
PROJECT ID	111021
SHEET	TOTAL
36	55

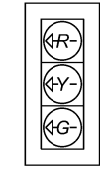
SIGNAL HEADS



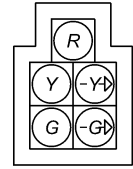
PEDESTRIAN HEADS (LED, COUNTDOWN, TYPE D2)



2A, 2B, 2C, 2D, 4A, 4B, 4C, 6A, 6B, 8A, 8B, 8C

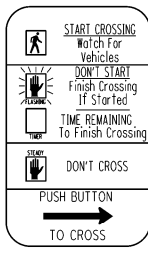


1A, 1B, 3A, 5A, 5B, 7A, 7B



6C, 6D

SIGNS



R10-3E-9

4 - LEFT ARROWS
4 - RIGHT ARROWS

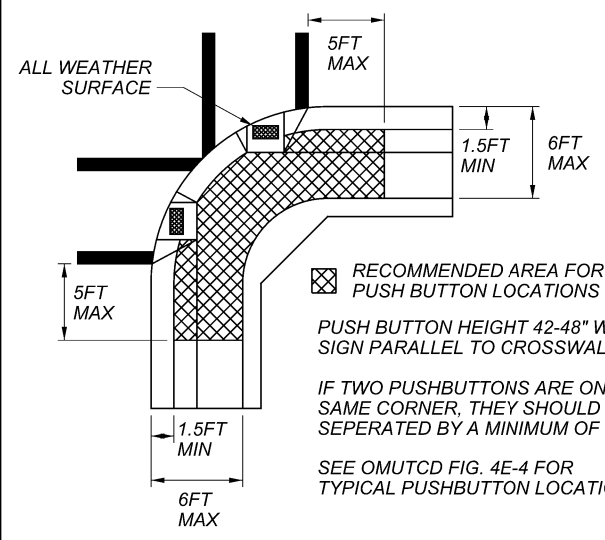
NOTE: SIGN QUANTITIES TO BE INCLUDED IN TRAFFIC CONTROL QUANTITIES ON SUBSUMMARY SHEET 26.



S1 R3-1-36 LED BLANK-OUT SIGN

PULL BOX TABLE				
PULL BOX #	STATION	SIDE	OFFSET	SIZE (IN.)
PULL BOX 1	50+66.2	LT.	80.7	24
PULL BOX 2	50+92.1	RT.	75.4'	24
PULL BOX 3	49+15.7	LT.	76.6'	24
PULL BOX 4	49+26.1	RT.	61.3'	24

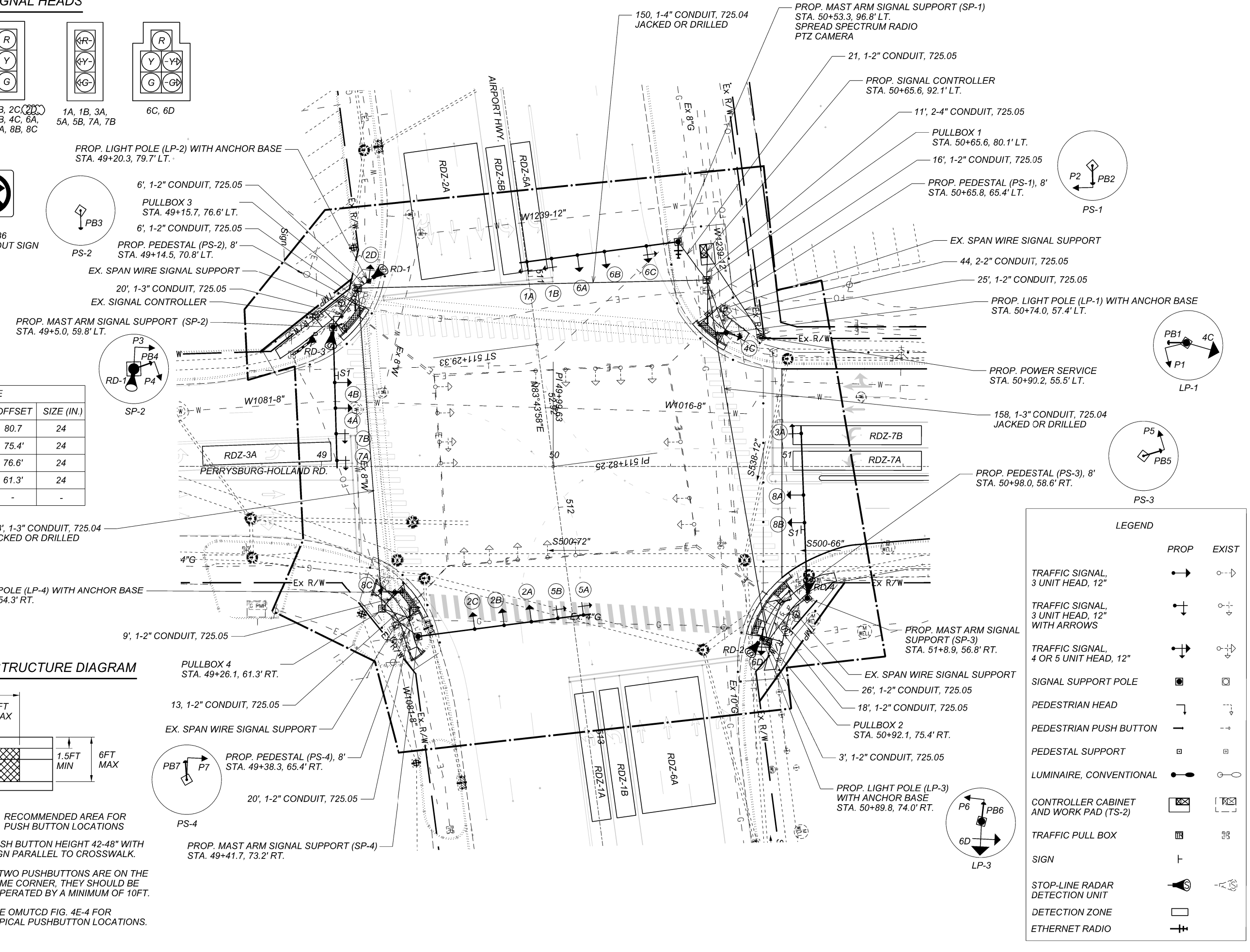
ADA PUSHBUTTON & STRUCTURE DIAGRAM



RECOMMENDED AREA FOR PUSH BUTTON LOCATIONS
PUSH BUTTON HEIGHT 42-48" WITH SIGN PARALLEL TO CROSSWALK.
IF TWO PUSHBUTTONS ARE ON THE SAME CORNER, THEY SHOULD BE SEPERATED BY A MINIMUM OF 10FT.
SEE O MUTCD FIG. 4E-4 FOR TYPICAL PUSHBUTTON LOCATIONS.

LUC-2-9.67

MODEL: Plan [Sheet1] PAPER SIZE: ITX (in.) DATE: 3/30/2022 TIME: 12:07 PM USER: NCarter
W:\Projects\Projects K-0\0010076\11021\400-Engineering\Signals\Sheets\11021_CP001.dgn



LEGEND		
	PROP	EXIST
TRAFFIC SIGNAL, 3 UNIT HEAD, 12"		
TRAFFIC SIGNAL, 3 UNIT HEAD, 12" WITH ARROWS		
TRAFFIC SIGNAL, 4 OR 5 UNIT HEAD, 12"		
SIGNAL SUPPORT POLE		
PEDESTRIAN HEAD		
PEDESTRIAN PUSH BUTTON		
PEDESTAL SUPPORT		
LUMINAIRE, CONVENTIONAL		
CONTROLLER CABINET AND WORK PAD (TS-2)		
TRAFFIC PULL BOX		
SIGN		
STOP-LINE RADAR DETECTION UNIT		
DETECTION ZONE		
ETHERNET RADIO		