

ITEM 625 CONNECTION, FUSED PULL APART, AS PER PLAN

IN ADDITION TO THE REQUIREMENTS OF ODOT SPECIFICATIONS 625.18 AND 725.15, THE FOLLOWING REQUIREMENTS SHALL APPLY:

THE CONTRACTOR SHALL SUPPLY A 10 AMP FUSE FOR THE LUMINAIRES AND A 6 AMP FUSE FOR THE OUTLETS.

PAYMENT FOR ITEM 625 CONNECTION, FUSED PULL APART, AS PER PLAN, FOR ALL OPERATIONS DESCRIBED ABOVE SHALL BE AT THE CONTRACT EACH BID PRICE AND SHALL INCLUDE ALL LABOR, MATERIAL, AND EQUIPMENT REQUIRED TO COMPLETE THIS ITEM OF WORK.

ITEM 625 LIGHT POLE, DECORATIVE, AS PER PLAN - (ALTERNATE 1) (ODOT STD.)

THIS ITEM OF WORK SHALL CONSIST OF INSTALLING THE LIGHT POLE INCLUDING ALL HARDWARE, MATERIALS, AND EQUIPMENT NECESSARY.

LIGHT POLES SHALL BE THE POST-TOP DECORATIVE ACORN STYLE POLE PER ODOT SCD. HL-10.11.

LIGHT POLE SHALL BE ATON15 PER SCD. HL-10.11. POLE, OUTLET RECEPTACLE, AND HARDWARE SHALL BE GALVANIZED WITH A BLACK FINISH PER ODOT SS 916.

THE CONTRACTOR SHALL VERIFY WITH THE MANUFACTURER THAT THE POLE MATCHES ALL DETAILS OF THE EXISTING POLES.

PAYMENT FOR ITEM 625 LIGHT POLE, DECORATIVE, AS PER PLAN (ALTERNATE 1) (ODOT STD.), FOR ALL OPERATIONS DESCRIBED ABOVE SHALL BE AT THE CONTRACT EACH BID PRICE AND SHALL INCLUDE ALL LABOR, MATERIAL, AND EQUIPMENT REQUIRED TO COMPLETE THIS ITEM OF WORK.

ITEM 625 LIGHT POLE, DECORATIVE, AS PER PLAN - (ALTERNATE 2) (VALMONT)

THIS ITEM OF WORK SHALL CONSIST OF INSTALLING THE LIGHT POLE INCLUDING ALL HARDWARE, MATERIALS, AND EQUIPMENT NECESSARY.

LIGHT POLES SHALL BE MANUFACTURED BY VALMONT WITH 16 SHARP FLUTED TAPERED POLE WITH A HUNTINGTON ENDURO SERIES BASE. ALL LIGHT POLES SHALL MATCH THE SIGNAL POLES.

POLES SHALL INCLUDE BANNERS ARMS, TWO FLAG POLE HOLDERS - 180° APART, AND ONE GFI OUTLET RECEPTACLE. LIGHT POLES, BANNER ARMS, OUTLET RECEPTACLE AND HARDWARE SHALL BE GALVANIZED WITH A BLACK FINISH PER ODOT SS 916.

PAYMENT FOR ITEM 625 LIGHT POLE, DECORATIVE, AS PER PLAN - (ALTERNATE 2) (VALMONT), FOR ALL OPERATIONS DESCRIBED ABOVE SHALL BE AT THE CONTRACT EACH BID PRICE AND SHALL INCLUDE ALL LABOR, MATERIAL, AND EQUIPMENT REQUIRED TO COMPLETE THIS ITEM OF WORK.

ITEM 625 LUMINAIRE, POST-TOP, SOLID STATE (LED), AS PER PLAN, ACORN STYLE, REFRACTIVE GLASS, 4000K, BLACK FINISH - (ALTERNATE 1) (ODOT STD.)

THIS ITEM CONSISTS OF SUPPLYING AND INSTALLING A DECORATIVE POST-TOP LED LUMINAIRE FOR THE ROADWAY AND SIDEWALK ILLUMINATION, INCLUDING ALL HARDWARE, MATERIALS, AND EQUIPMENT NECESSARY FOR INSTALLATION.

THIS ITEM CONSISTS OF A BASEFITTER, GLASS (NOT ACRYLIC) GLOBE AND A ROUNDED TOP WITH NO DECORATIVE FEATURES SUCH AS FINIAL, CROWN, BAND OR RIBS. PROVIDE A LUMINAIRE WITH A B-U-G UP-LIGHTING RATING OF U4 OR LESS.

PROVIDE A LUMINAIRE COMPATIBLE WITH THE LIGHTING BRANCH CIRCUIT SHOWN IN THE PLANS. ASSURE THE LUMINAIRE POST-FITTER HAS A HINGED OR CAPTIVE DOOR. ASSURE THE LUMINAIRE CAN MOUNT A PHOTOCELL, OR WIRELESS CONTROL THAT USES A NEMA STANDARD PHOTOCELL RECEPTACLE.

PROVIDE A LUMINAIRE WITH 3G VIBRATION RATING. PROTECT EACH LUMINAIRE USING A SURGE PROTECTIVE DEVICE (SPD), CONFORMING TO ODOT SUPPLEMENTAL SPEC 913.

PROVIDE A LUMINAIRE WITH FACTORY-APPLIED BLACK FINISH MEETING SUPPLEMENTAL SPECIFICATION 916.

SUPPLY ONE OF THE FOLLOWING APPROVED EQUAL LUMINAIRES:

1. HOLOPHANE GRANVILLE LED III PREMIER - GPD3 P40 40K MVOLT MS GL3 BK PR7 (78 WATTS)(11703 LUMENS), OR GPD3 P40 40K MVOLT MS GL3 BK P7 GVDHSS90 (78 WATTS)(11703 LUMENS)
2. STERNBERG G74LED HOMETOWN SERIES - PT-G74LED-5P-4L-40(00)-T3-MDL06-G-PE-BK (98 WATTS)(9565 LUMENS)
3. KING LUMINAIRE K445 - K445-T1GR-IV-75-SSL-4004-120V-K24-PE-4K-BK (75 WATTS)(9201 LUMENS)

THIS LUMINAIRE IS ALSO MOUNTED ON TOP OF THE SIGNAL SUPPORT POLE.

PAYMENT FOR ITEM 625 LUMINAIRE, POST-TOP, SOLID STATE (LED), AS PER PLAN, ACORN STYLE, REFRACTIVE GLASS, 4000K, BLACK FINISH - (ALTERNATE 1) (ODOT STD.), FOR ALL OPERATIONS DESCRIBED ABOVE SHALL BE AT THE CONTRACT EACH BID PRICE AND SHALL INCLUDE ALL LABOR, MATERIAL, AND EQUIPMENT REQUIRED TO COMPLETE THIS ITEM OF WORK.

ITEM 625 LUMINAIRE, DECORATIVE, AS PER PLAN - (ALTERNATE 2) (HOLOPHANE)

THIS ITEM OF WORK SHALL CONSIST OF INSTALLING THE LUMINAIRE INCLUDING ALL WIRING, CONNECTIONS, GROUNDING HARDWARE, MATERIALS, AND EQUIPMENT NECESSARY.

LUMINAIRES SHALL BE HOLOPHANE GRANVILLE LED III PREMIER SERIES. LUMINAIRES SHALL HAVE A BLACK ANODIZED FINISH PER ODOT SS 916. LUMINAIRE COLOR SHALL MATCH THE POLE.

THIS ITEM SHALL ALSO INCLUDE ALL REQUIRED HARDWARE TO INSTALL THE LUMINAIRES.

THIS LUMINAIRE IS ALSO MOUNTED ON THE SIDE OF THE SIGNAL SUPPORT POLES WITH A DECORATIVE BRACKET ARM.

PAYMENT FOR ITEM 625 LUMINAIRE, DECORATIVE, AS PER PLAN - (ALTERNATE 2) (HOLOPHANE), FOR ALL OPERATIONS DESCRIBED ABOVE SHALL BE AT THE CONTRACT EACH BID PRICE AND SHALL INCLUDE ALL LABOR, MATERIAL, AND EQUIPMENT REQUIRED TO COMPLETE THIS ITEM OF WORK.

ITEM 625 POWER SERVICE, AS PER PLAN

IN ADDITION TO THE REQUIREMENTS OF ODOT SPECIFICATIONS 625 AND 725 AND SCD HL-40.10, THE FOLLOWING REQUIREMENTS SHALL APPLY:

POWER SERVICE SHALL BE OBTAINED FROM THE VILLAGE BUILDING LOCATED AT 1 SOUTH HIGH STREET. EXACT LOCATION OF TIE-IN POINT AT BUILDING SHALL BE COORDINATED WITH THE VILLAGE PRIOR TO CONSTRUCTION.

CIRCUIT BREAKER TYPE SHALL BE 40 AMP TYPE BREAKER FOR LUMINAIRES AND 60 AMP TYPE BREAKER FOR OUTLETS.

CONTRACTOR TO INCLUDE MISC. ELECTRICAL ITEMS FOR INSTALLATION OF CIRCUIT BREAKERS AND CONNECTION TO EXISTING POWER SERVICE LOCATED IN THE VILLAGE BUILDING.

PS #1: INSIDE VILLAGE BUILDING - STA. 735+00.44, 46.9' LT

THE VOLTAGE SUPPLIED SHALL BE NOMINALLY 240 VOLTS. THE CONTRACTOR IS RESPONSIBLE FOR OBTAINING ANY NECESSARY PERMITS, INSPECTIONS AND THE PAYING OF ALL FEES.

PAYMENT FOR ITEM 625 POWER SERVICE, AS PER PLAN, FOR ALL OPERATIONS DESCRIBED ABOVE SHALL BE AT THE CONTRACT EACH BID PRICE AND SHALL INCLUDE ALL LABOR, MATERIAL AND EQUIPMENT REQUIRED TO COMPLETE THIS ITEM OF WORK.

ITEM 625 CONDUIT, JACKED OR DRILLED, 725.052, (DIAMETER), AS PER PLAN

THIS ITEM OF WORK SHALL CONSIST OF THE WORK AS DESCRIBED IN OHIO DEPARTMENT OF TRANSPORTATION ITEM 625 - CONDUIT JACKED OR DRILLED, EXCEPT AS HEREIN MODIFIED.

ALL MATERIALS, PROCEDURES, AND TESTING USED SHALL CONFORM WITH THE ENCLOSED STANDARDS AND SPECIFICATIONS.

ALL CONDUIT CAPABLE OF HORIZONTAL DIRECTIONAL DRILLING SHALL BE EPEC-40-HDPE.

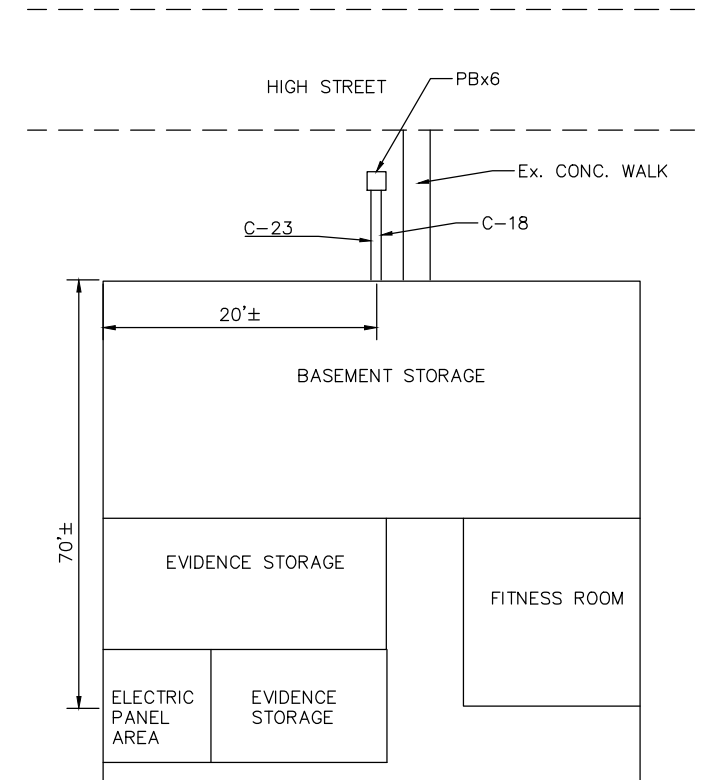
THE HORIZONTAL DIRECTIONAL DRILLING SHALL BE IN ACCORDANCE WITH ASTM F1962 AT THE LOCATIONS SHOWN ON THE PLANS.

AN EXTRA PULL STRING, FOR FUTURE USE, SHALL BE INSTALLED IN ALL CONDUIT.

THIS ITEM OF WORK SHALL INCLUDE FURNISHING AND INSTALLING ALL FITTINGS, BENDS, TEES, COUPLINGS, RESTRAINTS, TRACING WIRE, PULL STRING, ETC. AND SHALL INCLUDE THE COST FOR THE HORIZONTAL DIRECTIONAL DRILLING OF THE CONDUIT.

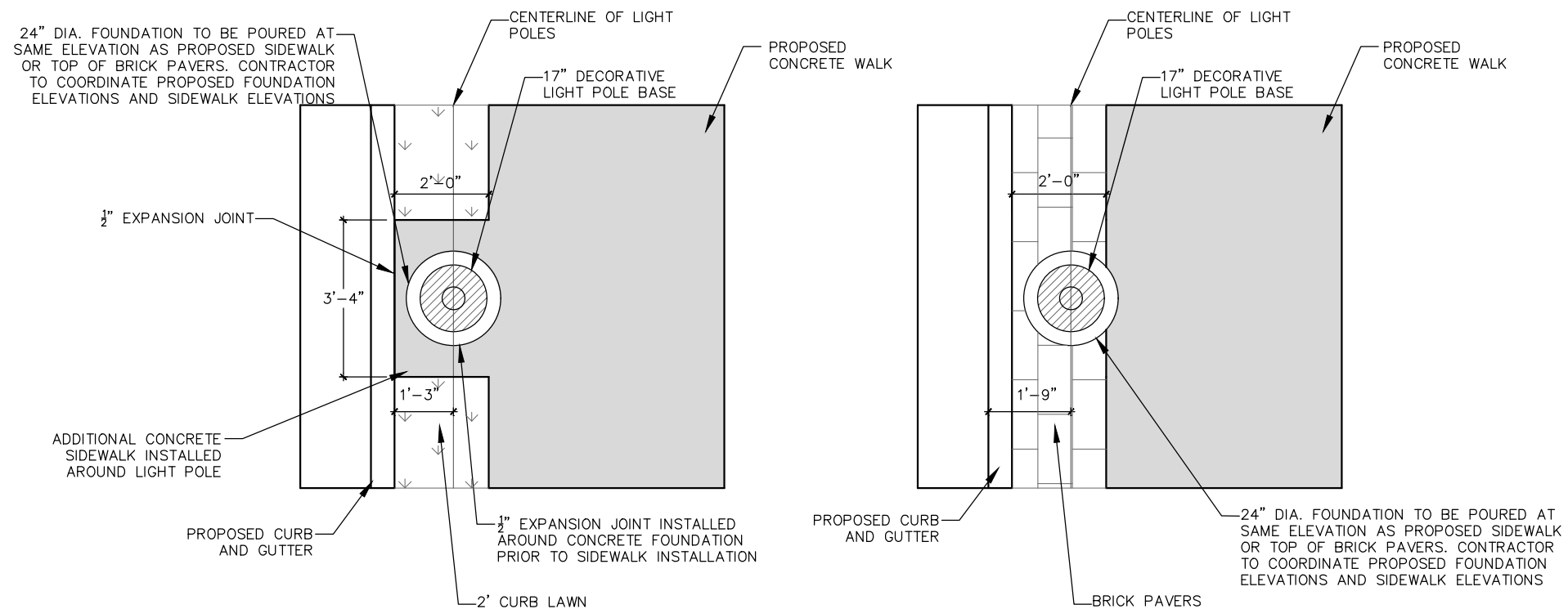
THIS ITEM OF WORK SHALL INCLUDE ALL COSTS ASSOCIATED WITH THE HORIZONTAL DIRECTIONAL DRILLING OF THE CONDUIT. THIS INCLUDES ANY REQUIRED BORING PITS, DEWATERING, BACKFILLING OF PITS, COMPACTION, ASPHALT, GRAVEL AND CONCRETE REPAIR, SEEDING AND MULCHING, LANDSCAPING REPAIR, ETC. NECESSARY TO RESTORE THE AREA BACK TO EQUAL OR BETTER CONDITIONS.

PAYMENT FOR ITEM 625 - CONDUIT, JACKED OR DRILLED, 725.052, (DIAMETER), AS PER PLAN, FOR ALL OPERATIONS DESCRIBED (INCLUDING TESTING AND PURITIES) ABOVE SHALL BE AT THE CONTRACT FOOT BID PRICE AND SHALL INCLUDE ALL LABOR, MATERIAL, AND EQUIPMENT REQUIRED TO COMPLETE THIS ITEM OF WORK.



ELECTRICAL PANEL AREA INSIDE BUILDING. INSTALL (2)40 AMP, 2 POLE BREAKERS AND (4)60 AMP, 1 POLE BREAKERS. ALL WIRING INSIDE BUILDING SHALL BE NEAT AND IN CONDUIT SECURED PER NEC AND ATTACHED TO THE CEILING. COORDINATE ENTRY INTO BUILDING WITH THE VILLAGE. THE NEW PANEL SHALL BE LOCATED WITHIN THE UTILITY CLOSET BEHIND THE EVIDENCE LOCKER, NEXT TO THE EXISTING PANELS IN THE BASEMENT. APPROXIMATELY 90' FROM CONDUIT STUB INTO THE VILLAGE BUILDING. THIS WORK, MATERIAL SUCH AS CONDUIT, WIRING, HARNESSSES, ETC. SHALL BE INCIDENTAL TO ITEM 625 POWER SERVICE, AS PER PLAN

LIGHT POLE FOUNDATION DETAIL



LIGHT POLE FOUNDATION SHALL BE FINISHED WITH A SMOOTH BROOM FINISH THAT MATCHES THE PROPOSED SIDEWALK FINISH. ADDITIONALLY, THE SAME CURING COMPOUND USED ON THE SIDEWALKS SHALL BE APPLIED TO THE LIGHT POLE FOUNDATION IMMEDIATELY AFTER FINISHING.

CALCULATED
AJH

CHECKED
CCE

STREET LIGHTING NOTES AND DETAILS

MIA HIGH STREET
IMPROVEMENTS