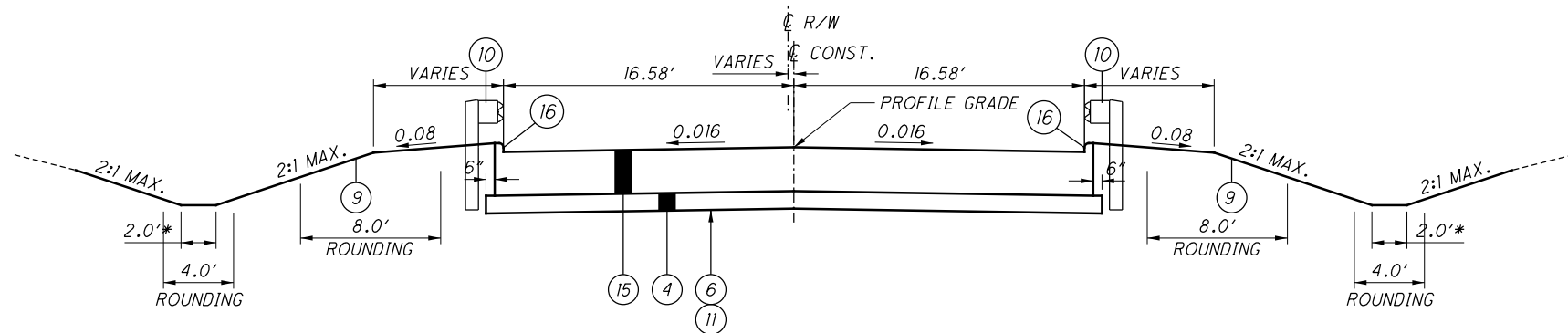
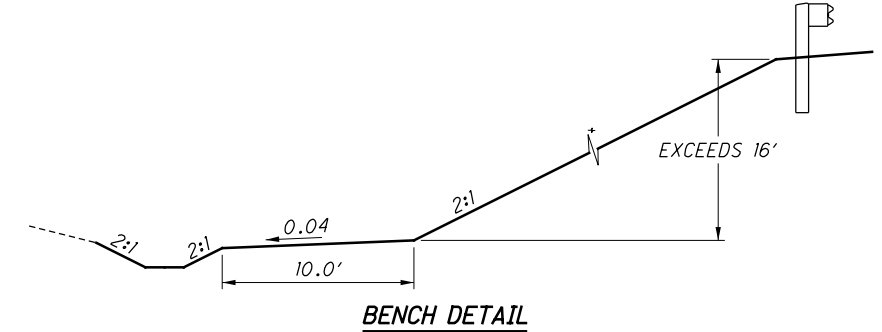


0:\2017\056\ProjectData\MOT\_99860\Design\Roadway\Sheets\99860\_GY001.dgn Sheet 11/5/2020 14:39:39 PM p.fry

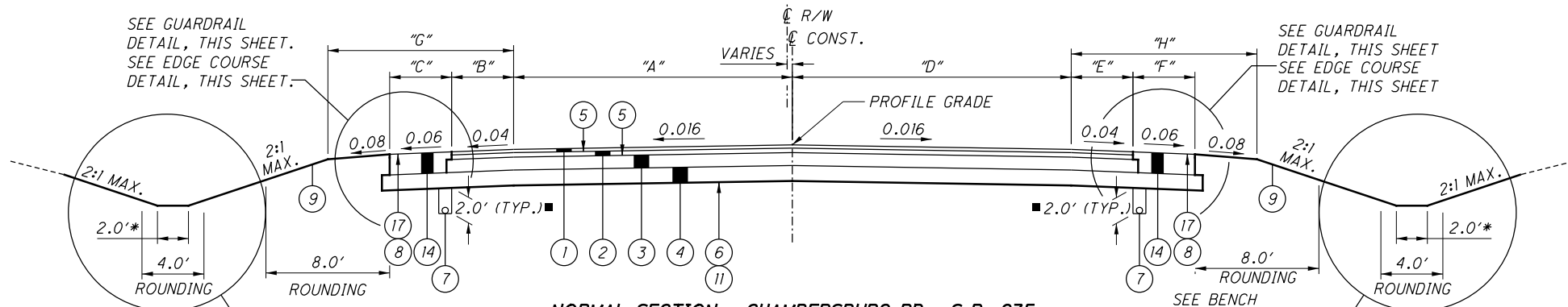


**APPROACH SLAB SECTION - CHAMBERSBURG RD., S.R. 235**

LIMITING STATIONS  
 STA. 13+52.66 TO STA. 13+77.66 = 25.00 L.F.  
 STA. 16+22.16 TO STA. 16+47.16 = 25.00 L.F.

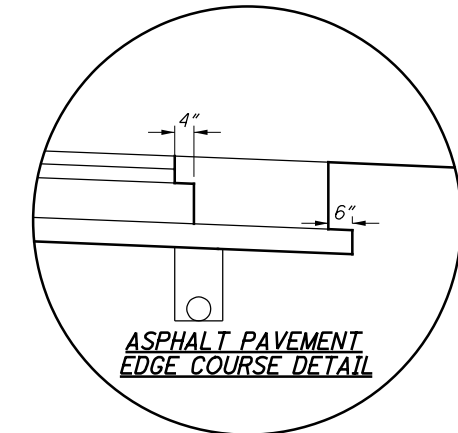


**BENCH DETAIL**

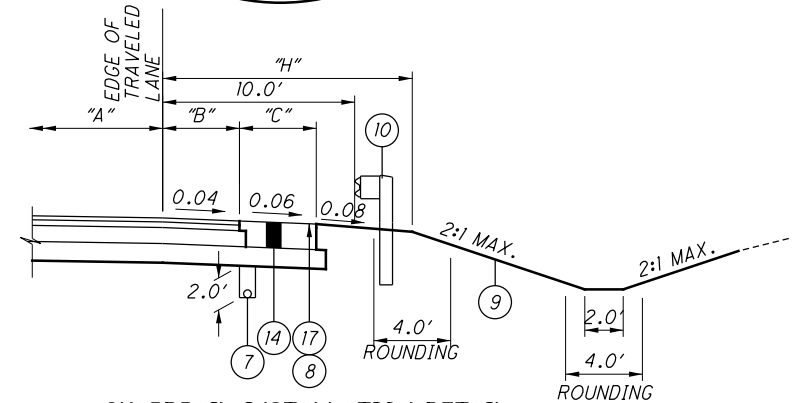


**NORMAL SECTION - CHAMBERSBURG RD., S.R. 235**

LIMITING STATIONS  
 STA. 5+00.00 TO STA. 13+52.66 = 852.66 L.F.  
 STA. 16+47.16 TO STA. 27+00.00 = 1052.84 L.F.



**ASPHALT PAVEMENT  
EDGE COURSE DETAIL**



**GUARDRAIL INSTALLATION DETAIL**

CHAMBERSBURG RD., S.R. 235  
 RIGHT SIDE SHOWN, LEFT SIDE SYMMETRICAL  
 ABOUT EDGE OF TRAVELED LANE

**LEGEND**

- ① ITEM 441 - 1 1/2" ASPHALT CONCRETE SURFACE COURSE, TYPE 1, (446), PG64-22
- ② ITEM 441 - 1 3/4" ASPHALT CONCRETE INTERMEDIATE COURSE, TYPE 2, (446)
- ③ ITEM 301 - 5" ASPHALT CONCRETE BASE, PG64-22
- ④ ITEM 304 - 6" AGGREGATE BASE
- ⑤ ITEM 407 - NON-TRACKING TACK COAT (0.04 GAL/S.Y.)
- ⑥ ITEM 204 - SUBGRADE COMPACTION
- ⑦ ITEM 605 - 6" SHALLOW PIPE UNDERDRAINS WITH GEOTEXTILE FABRIC
- ⑧ ITEM 422 - EMULSION, CHIP SEAL
- ⑨ ITEM 659 - SEEDING AND MULCHING
- ⑩ ITEM 606 - GUARDRAIL, TYPE MGS
- ⑪ ITEM 204 - PROOF ROLLING
- ⑫ ITEM 452 - 8" NON-REINFORCED CONCRETE PAVEMENT, CLASS OCI
- ⑬ ITEM 609 - 6" CONCRETE MEDIAN
- ⑭ ITEM 304 - 8 1/4" AGGREGATE BASE
- ⑮ ITEM 526 - REINFORCED CONCRETE APPROACH SLAB, (T=15"), AS PER PLAN
- ⑯ ITEM 609 - CURB, TYPE 2-A \*\*
- ⑰ ITEM 422 - AGGREGATE, SINGLE CHIP SEAL, TYPE A

- (A) EXISTING ASPHALT PAVEMENT (T=6"±)
- (B) EXISTING REINFORCED CONCRETE BASE (T=9"±)
- (C) EXISTING AGGREGATE BASE (T=6"±)
- (D) EXISTING ASPHALT PAVEMENT (T=9"±)
- (E) EXISTING AGGREGATE BASE (T=12"±)
- (F) EXISTING GUARDRAIL
- (G) CONCRETE MEDIAN

REVISIONS		
NO.	DATE	DESCRIPTION
△	11/03/20	ITEM REVISED
△	11/05/20	"F" WIDTH REVISED

\* OR AS SHOWN ON CROSS SECTIONS  
 \*\* TO BE PAID FOR UNDER ITEM 15 EXCEPT RAMPS A AND B  
 ■ 2.0' UD DEPTH TYPICAL, EXCEPT AS NOTED IN UNDERCUT DETAIL ON SHEET 9

DIMENSION TABLE - CHAMBERSBURG RD./S.R. 235									
LEFT SIDE DIMENSIONS						RIGHT SIDE DIMENSIONS			
"G" WIDTH	"C" WIDTH	"B" WIDTH	"A" WIDTH	BEGINNING STATION	ENDING STATION	"D" WIDTH	"E" WIDTH	"F" WIDTH	"H" WIDTH
8.00' TO 8.00'	4.00' TO 4.00'	4.00' TO 4.00'	19.24' TO 19.24'	5+00.00	7+63.36	16.76' TO 16.76'	4.00' TO 4.00'	4.00' TO 4.00'	8.00' TO 13.00'
8.00' TO 8.00'	4.00' TO 4.00'	4.00' TO 4.00'	19.24' TO 25.20'	7+63.36	8+22.97	16.76' TO 16.76'	4.00' TO 4.00'	4.00' TO 4.00'	13.00' TO 13.00'
INTERSECTION									
12.00' TO 12.00'	4.00' TO 4.00'	4.00' TO 4.00'	32.99' TO 28.99'	9+62.46	10+02.46	16.76' TO 16.76'	4.00' TO 4.00'	4.00' TO 4.00'	13.00' TO 13.00'
12.00' TO 13.00'	4.00' TO 4.00'	4.00' TO 4.00'	28.99' TO 24.00'	10+02.46	12+76.89				
				9+62.46	10+41.29	16.76' TO 16.76'	4.00' TO 4.00'	4.00' TO 4.00'	13.00' TO 13.00'
				10+41.29	12+76.89	16.76' TO 12.96'	4.00' TO 4.00'	4.00' TO 4.00'	13.00' TO 13.00'
13.00' TO 13.00'	4.00' TO 4.00'	4.00' TO 4.00'	24.00' TO 12.00'	12+76.89	13+26.89	12.96' TO 12.00'	4.00' TO 4.00'	4.00' TO 4.00'	13.00' TO 13.00'
13.00' TO 13.00'	4.00' TO 3.42'	4.00' TO 4.58'	12.00' TO 12.00'	13+26.89	13+52.66	12.00' TO 12.00'	4.00' TO 4.58'	4.00' TO 3.42'	13.00' TO 13.00'
13.00' TO 13.00'	3.42' TO 4.00'	4.58' TO 4.00'	12.00' TO 12.00'	16+47.16	16+71.30	12.00' TO 12.00'	4.58' TO 4.00'	3.42' TO 4.00'	13.00' TO 13.00'
13.00' TO 13.00'	4.00' TO 4.00'	4.00' TO 4.00'	12.00' TO 12.00'	16+71.30	17+49.20	12.00' TO 12.00'	4.00' TO 4.00'	4.00' TO 4.00'	13.00' TO 13.00'
13.00' TO 13.00'	4.00' TO 4.00'	4.00' TO 4.00'	12.00' TO 16.00'	17+49.20	18+29.26	12.00' TO 12.00'	4.00' TO 4.00'	4.00' TO 4.00'	13.00' TO 16.00'
INTERSECTION									
13.00' TO 13.00'	4.00' TO 4.00'	4.00' TO 4.00'	12.00' TO 12.00'	18+29.26	18+87.91				
13.00' TO 13.00'	4.00' TO 4.00'	4.00' TO 4.00'	12.00' TO 12.00'	18+87.91	19+22.77				
13.00' TO 13.00'	4.00' TO 4.00'	4.00' TO 4.00'	12.00' TO 12.00'	19+22.77	20+02.77	20.00' TO 12.00'	4.00' TO 4.00'	4.00' TO 4.00'	15.55' TO 13.00'
13.00' TO 12.00'	4.00' TO 4.00'	4.00' TO 4.00'	12.00' TO 12.00'	20+02.77	22+88.05	12.00' TO 12.00'			13.00' TO 8.00'
			12.00' TO 12.00'	22+88.05	24+77.34	12.00' TO 12.00'			
			12.00' TO 12.00'	24+77.34	25+47.23	24.91' TO 23.91'	6.00' TO 4.00'	2.00' TO 4.00'	8.00' TO 8.00'
12.00' TO 12.00'	2.00' TO 4.00'	6.00' TO 4.00'	14.96' TO 14.93'	25+47.23	25+57.25	23.91' TO 23.76'	4.00' TO 4.00'	4.00' TO 4.00'	8.00' TO 8.00'
12.00' TO 12.00'	4.00' TO 4.00'	4.00' TO 4.00'	14.93' TO 14.43'	25+57.25	27+00.00	23.76' TO 21.72'	4.00' TO 4.00'	4.00' TO 4.00'	8.00' TO 8.00'

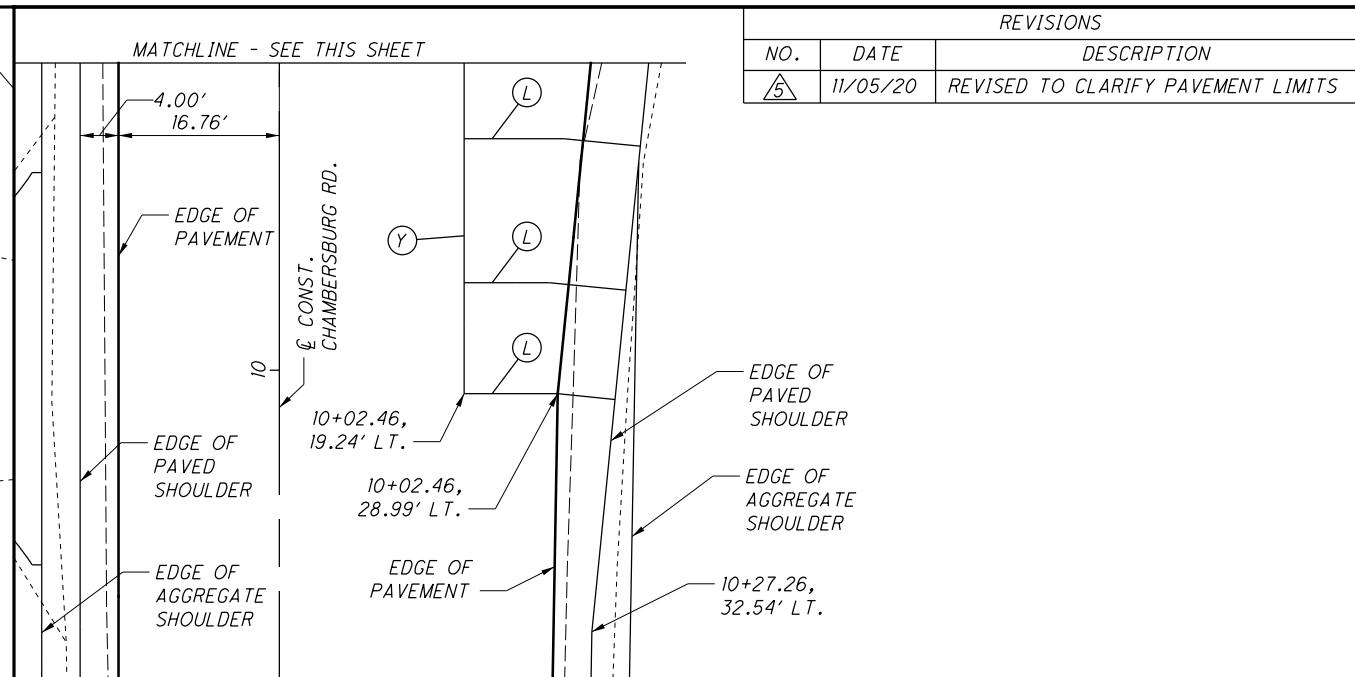
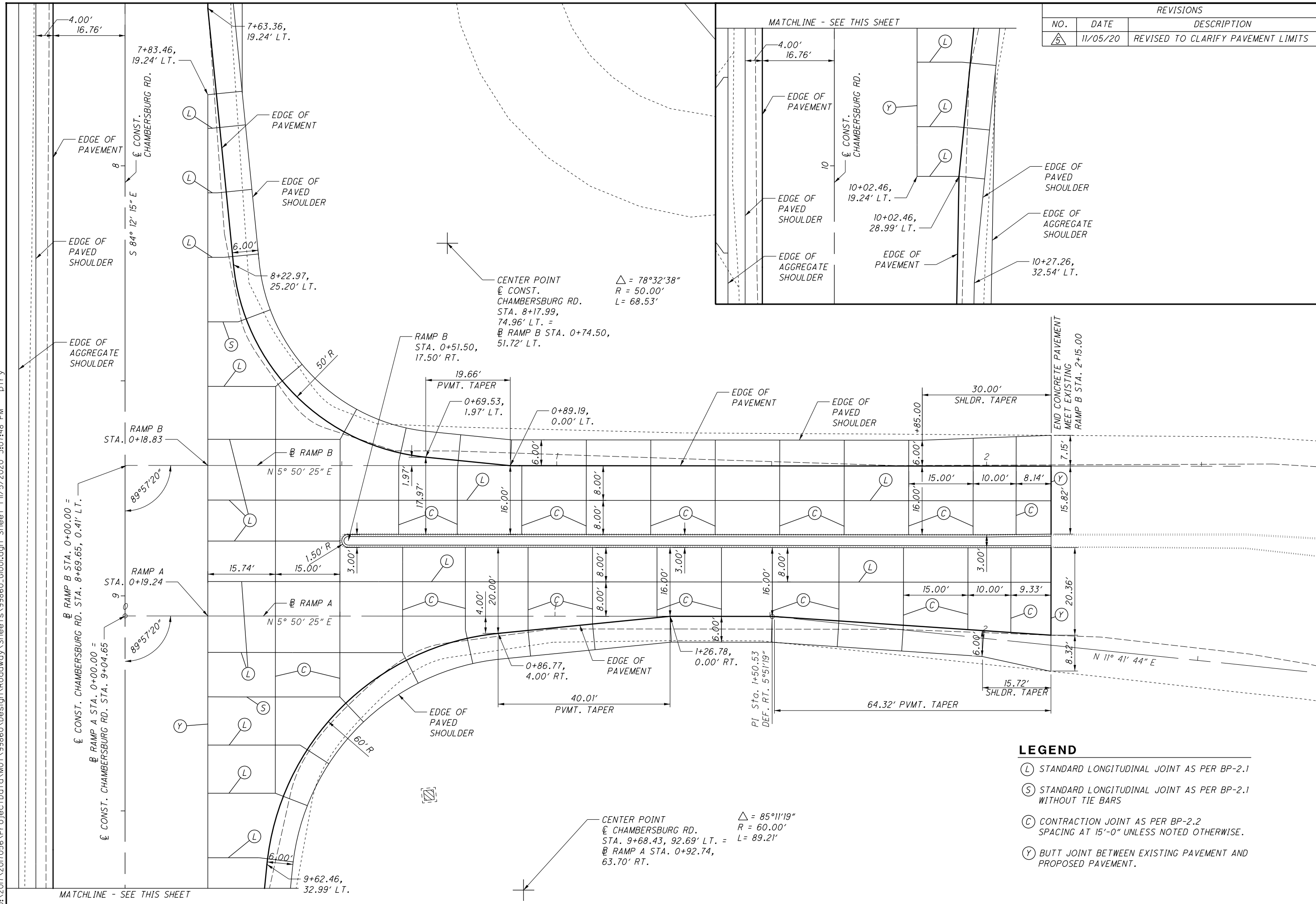
**TYPICAL SECTIONS**

**MOT - 235 - 0.22L**



O:\2017\2017056\ProjectData\MOT\99860\Design\Roadway\Sheets\99860\_0100.dgn Sheet 11/5/2020 3:07:48 PM p.fry

REVISIONS		
NO.	DATE	DESCRIPTION
1	11/05/20	REVISED TO CLARIFY PAVEMENT LIMITS



INTERSECTION DETAILS  
RAMPS A AND B

MOT - 235 - 0.22L

- LEGEND**
- (L) STANDARD LONGITUDINAL JOINT AS PER BP-2.1
  - (S) STANDARD LONGITUDINAL JOINT AS PER BP-2.1 WITHOUT TIE BARS
  - (C) CONTRACTION JOINT AS PER BP-2.2 SPACING AT 15'-0" UNLESS NOTED OTHERWISE.
  - (Y) BUTT JOINT BETWEEN EXISTING PAVEMENT AND PROPOSED PAVEMENT.

**ITEM 516 - JACKING AND TEMPORARY SUPPORT OF SUPERSTRUCTURE, AS PER PLAN**

THIS WORK CONSISTS OF RAISING THE EXISTING BEAMS TO THE DIMENSIONS AND REQUIREMENTS DEFINED IN THE PROJECT PLANS.

SUBMIT CONSTRUCTION PLANS IN ACCORDANCE WITH CMS 501.05.

IF, DURING THE JACKING OPERATIONS, DAMAGE TO THE STRUCTURE IS VISUALLY OBSERVED, IMMEDIATELY CEASE THE JACKING OPERATION AND INSTALL SUPPORTS TO THE SATISFACTION OF THE ENGINEER. ANALYZE THE DAMAGE AND SUBMIT A METHOD OF CORRECTION TO THE ENGINEER FOR APPROVAL. THE DEPARTMENT WILL NOT PAY FOR THE COST OF ANY REQUIRED REPAIRS. THE BRIDGE BEARINGS SHALL BE FULLY SEATED AT ALL CONTACT AREAS. IF FULL SEATING IS NOT ATTAINED, SUBMIT A REPAIR PLAN TO THE ENGINEER. THE DEPARTMENT WILL NOT PAY FOR THE REPAIR COSTS TO ENSURE FULL SEATING ON BEARINGS.

THE DEPARTMENT WILL MEASURE THIS WORK ON A LUMP SUM BASIS.

THE DEPARTMENT WILL PAY FOR THE ACCEPTED QUANTITIES AT THE CONTRACT PRICE FOR ITEM 516 - JACKING AND TEMPORARY SUPPORT OF SUPERSTRUCTURE, AS PER PLAN.

**ITEM 526 - REINFORCED CONCRETE APPROACH SLABS WITH QC/QA (T=15%), AS PER PLAN**

APPROACH SLAB CONCRETE SHALL BE PLACED SEPARATELY FROM THE SUPERSTRUCTURE CONCRETE.

ALL REINFORCING STEEL IS TO BE GALVANIZED COATED SIMILAR TO THE REST OF THE STRUCTURE.

**TYPE C INSTALLATION, AS PER PLAN**

ALL REINFORCING STEEL IS TO BE GALVANIZED COATED SIMILAR TO THE REST OF THE STRUCTURE.

CALCULATED BY: RFV DATE: 3-11-20  
CHECKED BY: DJC DATE: 3-12-20

ITEM	EXT.	PARTICIPATION		UNITS	DESCRIPTION	ABUTMENT	PIER	SUPER	GENERAL	A.P.P. REFERENCE SHEET NO.
		01/NHS/BR	02/NHS/BR							
202	11203	LS			PORTIONS OF STRUCTURE REMOVED, OVER 20 FOOT SPAN, AS PER PLAN					2
202	22900	134		SY	APPROACH SLAB REMOVED				134	
202	23500	1096		SY	WEARING COURSE REMOVED				1096	
503	11100	LS			COFFERDAMS AND EXCAVATION BRACING					
503	21300	LS			UNCLASSIFIED EXCAVATION					
509	20001	100		LB	REINFORCING STEEL, REPLACEMENT OF EXISTING REINFORCING STEEL, AS PER PLAN				100	2
509	30030	1752		FT	NO. 5 GFRP DEFORMED BARS			1752		
509	30040	6527		FT	NO. 6 GFRP DEFORMED BARS			6527		
509	40000	109103		LB	REINFORCING STEEL, MISC.: GALVANIZED COATED REINFORCING STEEL	2874	16021	90208		2
510	10000	286		EACH	DOWEL HOLES WITH NONSHRINK, NONMETALLIC GROUT	160	126			
511	34446	287		CY	CLASS QC2 CONCRETE WITH QC/QA, BRIDGE DECK			287		
511	34450	73		CY	CLASS QC2 CONCRETE WITH QC/QA, BRIDGE DECK (PARAPET)			73		
511	41010	53		CY	CLASS QC1 CONCRETE, PIER ABOVE FOOTINGS		53			
511	43510	31		CY	CLASS QC1 CONCRETE, ABUTMENT INCLUDING FOOTING	31				
512	10100	853		SY	SEALING CONCRETE SURFACES (EPOXY-URETHANE)	59	264	530		
513	10220	1665		LB	STRUCTURAL STEEL MEMBERS, LEVEL 1			1665		
513	20000	4575		EACH	WELDED STUD SHEAR CONNECTORS			4575		
513	90000	1183		LB	STRUCTURAL STEEL, MISC.: NEW CROSSFRAME ASSEMBLIES AT PIER 2			1183		
514	00050	12290		SF	SURFACE PREPARATION OF EXISTING STRUCTURAL STEEL			12290		
514	00056	12290		SF	FIELD PAINTING OF EXISTING STRUCTURAL STEEL, PRIME COAT			12290		
514	00060	12490		SF	FIELD PAINTING STRUCTURAL STEEL, INTERMEDIATE COAT			12490		
514	00066	12490		SF	FIELD PAINTING STRUCTURAL STEEL, FINISH COAT			12490		
514	00504	20		MNHR	GRINDING FINIS, TEARS, SLIVERS ON EXISTING STRUCTURAL STEEL			20		
514	10000	13		EACH	FINAL INSPECTION REPAIR			13		
516	10010	67		FT	ARMORLESS PREFORMED JOINT SEAL				67	
516	13600	5		SF	1" PREFORMED EXPANSION JOINT FILLER	5				
516	13900	34		SF	2" PREFORMED EXPANSION JOINT FILLER	34				
516	14020	93		FT	SEMI-INTEGRAL ABUTMENT EXPANSION JOINT SEAL	93				
516	44101	15		EACH	ELASTOMERIC BEARING WITH INTERNAL LAMINATES AND LOAD PLATE (NEOPRENE), AS PER PLAN (1'-0" x 1'-7" x 2.41" BEARING WITH 1'-1" x 1'-8" x VARIABLE THICKNESS LOAD PLATE)		15			11
516	44201	10		EACH	ELASTOMERIC BEARING WITH INTERNAL LAMINATES AND LOAD PLATE (NEOPRENE), AS PER PLAN (10" x 1'-1" x 3.22" BEARING WITH 11" x 1'-2" x 1 1/2" THICK LOAD PLATE)	10				11
516	47001	LS			JACKING AND TEMPORARY SUPPORT OF SUPERSTRUCTURE, AS PER PLAN					4
518	21200	43		CY	POROUS BACKFILL WITH GEOTEXTILE FABRIC	43				
518	40000	100		FT	6" PERFORATED CORRUGATED PLASTIC PIPE	100				
518	40010	60		FT	6" NON-PERFORATED CORRUGATED PLASTIC PIPE, INCLUDING SPECIALS	60				
526	25011	190		SY	REINFORCED CONCRETE APPROACH SLABS WITH QC/QA (T=15%), AS PER PLAN				190	4
526	90031	67		FT	TYPE C INSTALLATION, AS PER PLAN				67	4
**	601	20010	137	CY	CRUSHED AGGREGATE SLOPE PROTECTION	137				
	607	39900	434	FT	VANDAL PROTECTION FENCE, 6' STRAIGHT, COATED FABRIC			434		
					STRUCTURE REPAIR - COLLISION DAMAGE / HEAT STRAIGHTENING QUANTITIES					
	202	11501	1	EACH	PORTIONS OF STRUCTURE REMOVED, AS PER PLAN (MAIN MEMBERS)					3
***	513	10261	15636	LB	STRUCTURAL STEEL MEMBERS, LEVEL 3, AS PER PLAN			15636		3
***	513	90000	297	LB	STRUCTURAL STEEL, MISC.: REPAIR OF DAMAGED SECONDARY MATERIAL BY REPLACEMENT			1338		3
***	849	10001	LS	LS	DAMAGE ASSESSMENT, AS PER PLAN					3
***	849	10500	LS	LS	SURFACE PREPARATION					
***	849	10600	4	2	REPAIRING DAMAGED MEMBERS BY GRINDING			6		
***	849	10700	LS	LS	STRAIGHTENING DAMAGED MEMBERS					

\*\* INCLUDED FOR PAYMENT WITH THE ROADWAY QUANTITIES

\*\*\* PLAN SPLIT 01 INCLUDES ALL COLLISION REPAIR OVER NB S.R. 4. PLAN SPLIT 02 INCLUDES ALL COLLISION REPAIR OVER SB S.R. 4.

REVISIONS		
NO.	DATE	DESCRIPTION
1	10/20/20	UPDATED ITEMS/NOTES
2	10/23/20	ITEM ADDED
3	11/05/20	ITEM REVISED

O:\2017\2017056\ProjectData\MOT\99860\Design\Structures\Sheets\235\_0022C\_S0001.dgn Sheet 11/5/2020 3:57:37 PM dcastranova

DESIGN AGENCY  
**GPD GROUP**  
1801 Watermark Drive, Suite 210, Columbus, OH 43215 614.210.0751  
Copyright © GPD Group, Inc. All Rights Reserved.

DATE  
3-13-20

REVIEWED  
DGN 3-13-20  
STRUCTURE FILE NUMBER  
5709660

DRAWN  
RFV  
REVISED

DESIGNED  
RFV  
CHECKED  
DJC

**ESTIMATED QUANTITIES & GENERAL NOTES**

BRIDGE NO. MOT-235-0022L  
S.R. 235 (CHAMBERSBURG ROAD) OVER S.R. 4

**MOT - 235 - 0.22L**  
PID No. 99860

4 / 24

106  
141