

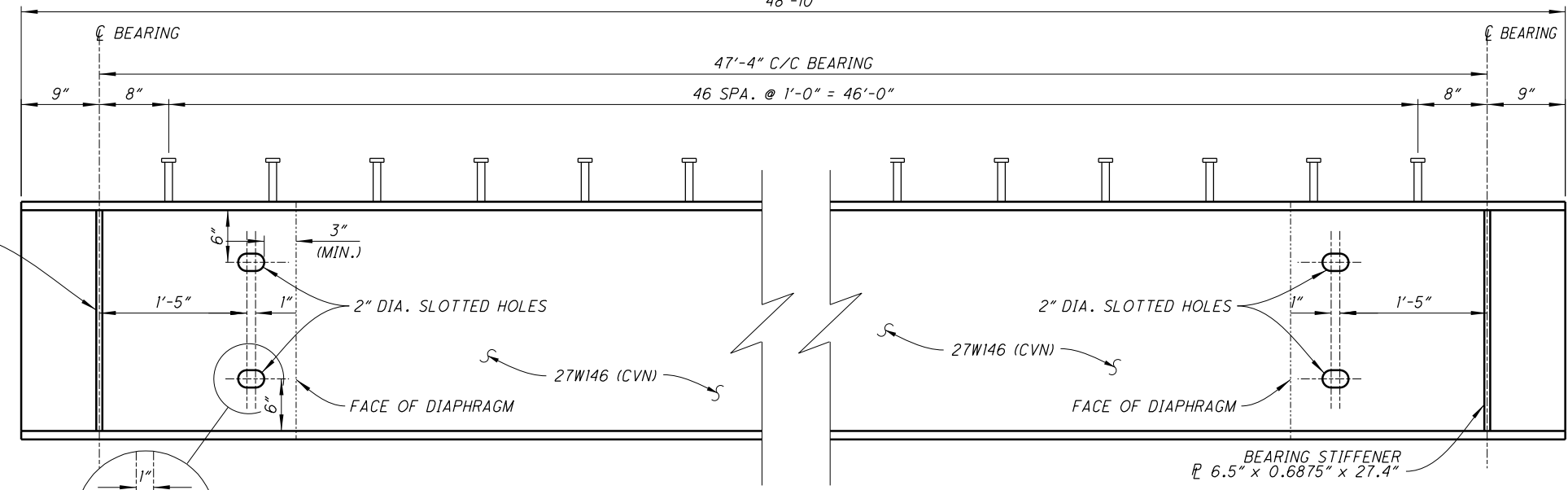
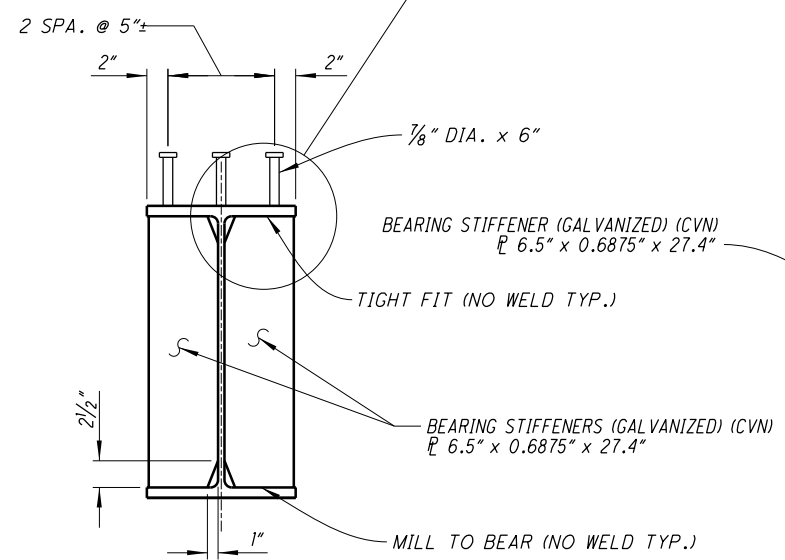
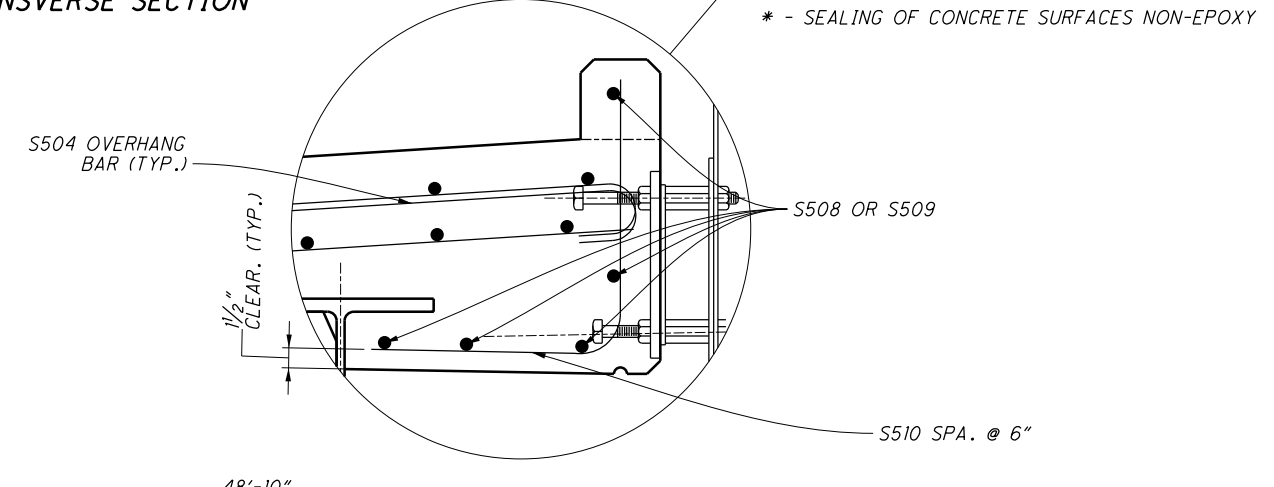
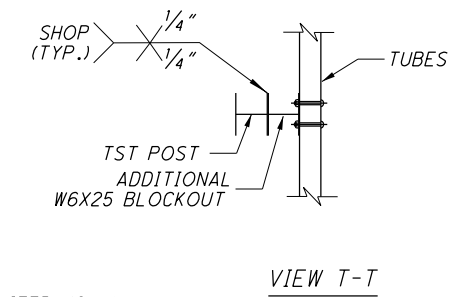
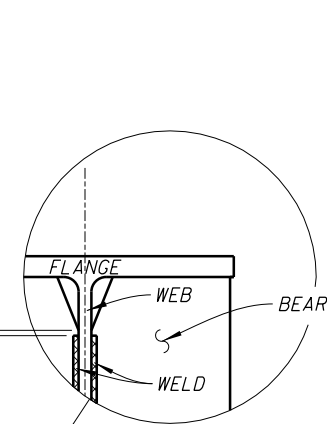
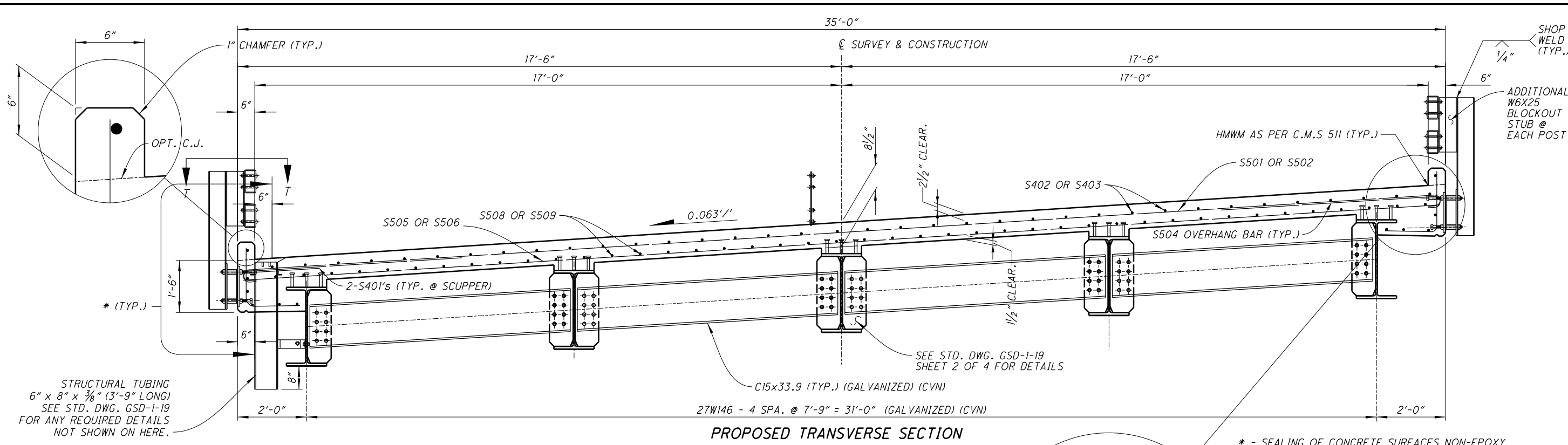
I:\ProjectData\MUS\02525\Design\Structures\MUS022_1883C\Sheets\02525_00002.dgn_Sheet 2/20/2020 12:50:54 PM tgreenwa

SHEET NUM.						PART.	ITEM	ITEM	GRAND	UNIT	DESCRIPTION	SEE SHEET NO.	CALCULATED TAG CHECKED C.P.S.
10					19	01/STR/B R	EXT	TOTAL					
						LS	202	11200	LS		STRUCTURE OVER 20 FOOT SPAN (MUS-22-18-82)		
						LS	202	11200	LS		PORTIONS OF STRUCTURE REMOVED (SUPERSTRUCTURE)		
						LS	202	11200	LS		PORTIONS OF STRUCTURE REMOVED (SUBSTRUCTURE)		
167						167	202	22900	167	SY	APPROACH SLAB REMOVED		
100						100	202	38500	100	FT	BRIDGE RAILING REMOVED		
						LS	503	21301	LS		UNCLASSIFIED EXCAVATION, AS PER PLAN		10
					26,205	26,205	509	25001	26,205	LB	REINFORCING STEEL, AS PER PLAN		20
						226	510	10000	226	EACH	DOWEL HOLES WITH NONSHRINK, NONMETALLIC GROUT		
						91	511	34444	91	CY	CLASS QC2 CONCRETE, BRIDGE DECK		10
						96	511	45710	96	CY	CLASS QC1 CONCRETE, ABUTMENT		
						210	512	10050	210	SY	SEALING OF CONCRETE SURFACES (NON-EPOXY)		
						40,187	513	10221	40,187	LB	STRUCTURAL STEEL MEMBERS, LEVEL 1, AS PER PLAN		14
						705	513	20001	705	EACH	WELDED STUD SHEAR CONNECTORS, AS PER PLAN		10
						59	516	13901	59	SF	2" PREFORMED EXPANSION JOINT FILLER, AS PER PLAN		14
						106	516	14020	106	FT	SEMI-INTEGRAL ABUTMENT EXPANSION JOINT SEAL		
						76	516	31011	76	FT	2" DEEP JOINT SEALER, AS PER PLAN		10
						10	516	44100	10	EACH	ELASTOMERIC BEARING WITH INTERNAL LAMINATES AND LOAD PLATE (NEOPRENE) (1'-0" x 1'-4" x 3.5732")		15
						105	517	70001	105	FT	RAILING (TWIN STEEL TUBE), AS PER PLAN		10
						3	518	12201	3	EACH	SCUPPERS, INCLUDING SUPPORTS, AS PER PLAN		14
						120	518	21200	120	CY	POROUS BACKFILL WITH GEOTEXTILE FABRIC		10
						168	518	40000	168	FT	6" PERFORATED CORRUGATED PLASTIC PIPE		
						56	518	40012	56	FT	6" NON-PERFORATED CORRUGATED PLASTIC PIPE		
						233	526	30001	233	SY	REINFORCED CONCRETE APPROACH SLABS (T=17"), AS PER PLAN		10
											INCIDENTALS		
						LS	614	11000	LS		MAINTAINING TRAFFIC		
						3	619	16000	3	MNTH	FIELD OFFICE, TYPE A		
						LS	623	10001	LS		CONSTRUCTION LAYOUT STAKES AND SURVEYING, AS PER PLAN		3
						LS	624	10000	LS		MOBILIZATION		

GENERAL SUMMARY

MUS - 22 - 18 . 82

I:\ProjectData\MUS 102525\Design\Structures\MUS022_1883C_Sheets\022_1883C_ST001.dgn Sheet 2/20/2020 12:28:52 PM tgreenwa



NOTE:

1. SHEAR STUDS SHALL BE INSTALLED IN THE SHOP.
2. ALL STRUCTURAL STEEL/SHEAR STUDS SHALL BE GALVANIZED. SEE SPECIAL PROVISIONS "GALVANIZATION".

DESIGNED TAG	CPS	DESIGN AGENCY	OHIO DEPARTMENT OF TRANSPORTATION DISTRICT 5
DRAWN TAG		DATE	10/24/19
CHECKED		REVIEWED TAG	6006631
TRANSVERSE SECTION / STRUCTURAL DETAILS		BRIDGE NO.:	MUS-22-18.82
MUS-22-18.82		OVER LITTLE SALT CREEK	
PID No. 102525			
6/12			
14			
20			