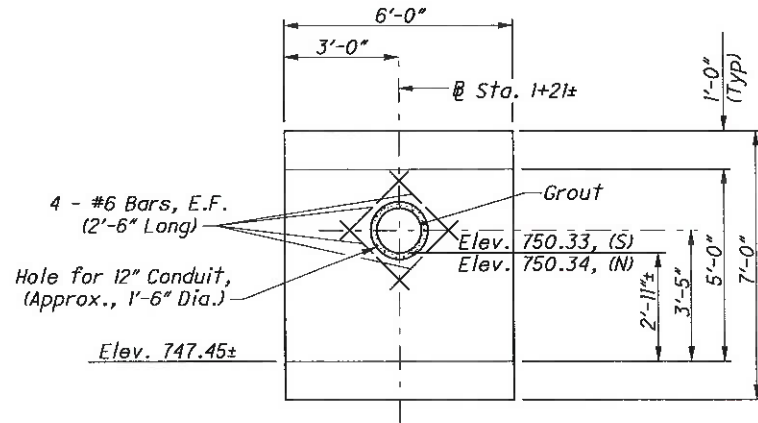


ITEM 611 - 16' x 5' CONDUIT, TYPE A, 706.05, AS PER PLAN

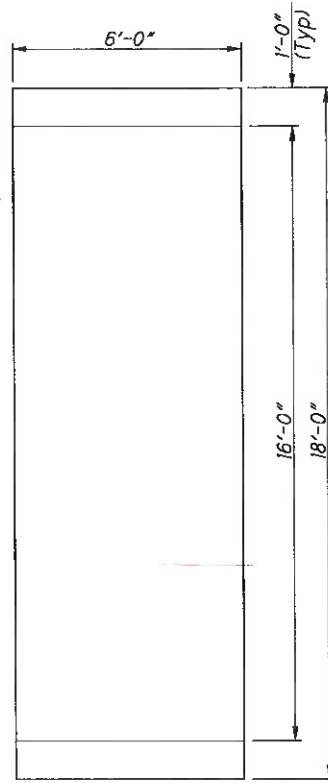
THE CONTRACTOR SHALL PROVIDE A PRECAST REINFORCED CONCRETE BOX CULVERT CONFORMING TO ASTM C 1577 AND SHALL MEET ALL THE REQUIREMENTS OF 611 AND 706.05. ADDITIONAL CULVERT DETAILS ARE AS SHOWN IN THE PLANS.

THE CONTRACTOR SHALL SUBMIT AN INSTALLATION PLAN AND ONE SET OF ALL APPROVED SHOP DRAWINGS TO THE DISTRICT 10 BRIDGE ENGINEER, PRIOR TO CONSTRUCTION. THE INSTALLATION PLAN SHALL BE SUBMITTED AT LEAST 15 DAYS BEFORE ANY WORK BEGINS, AS PER 611.04.

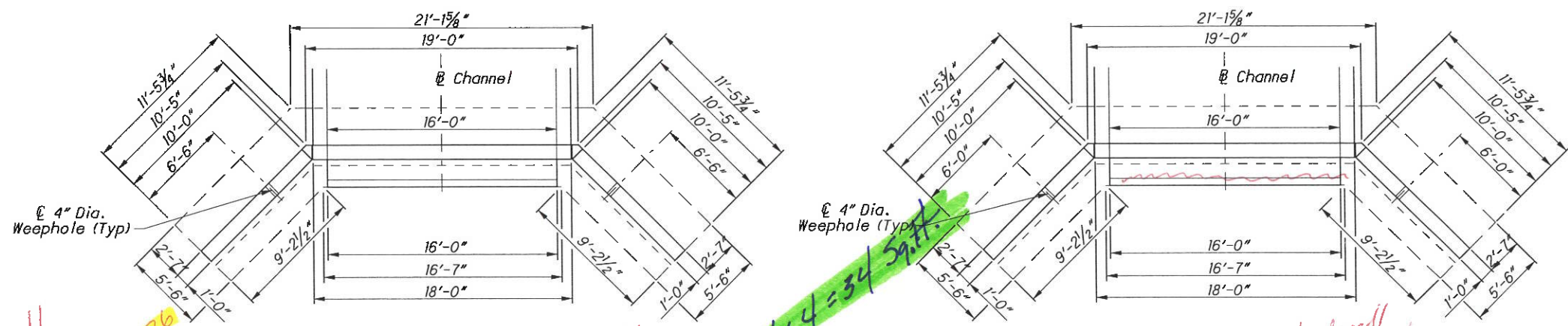
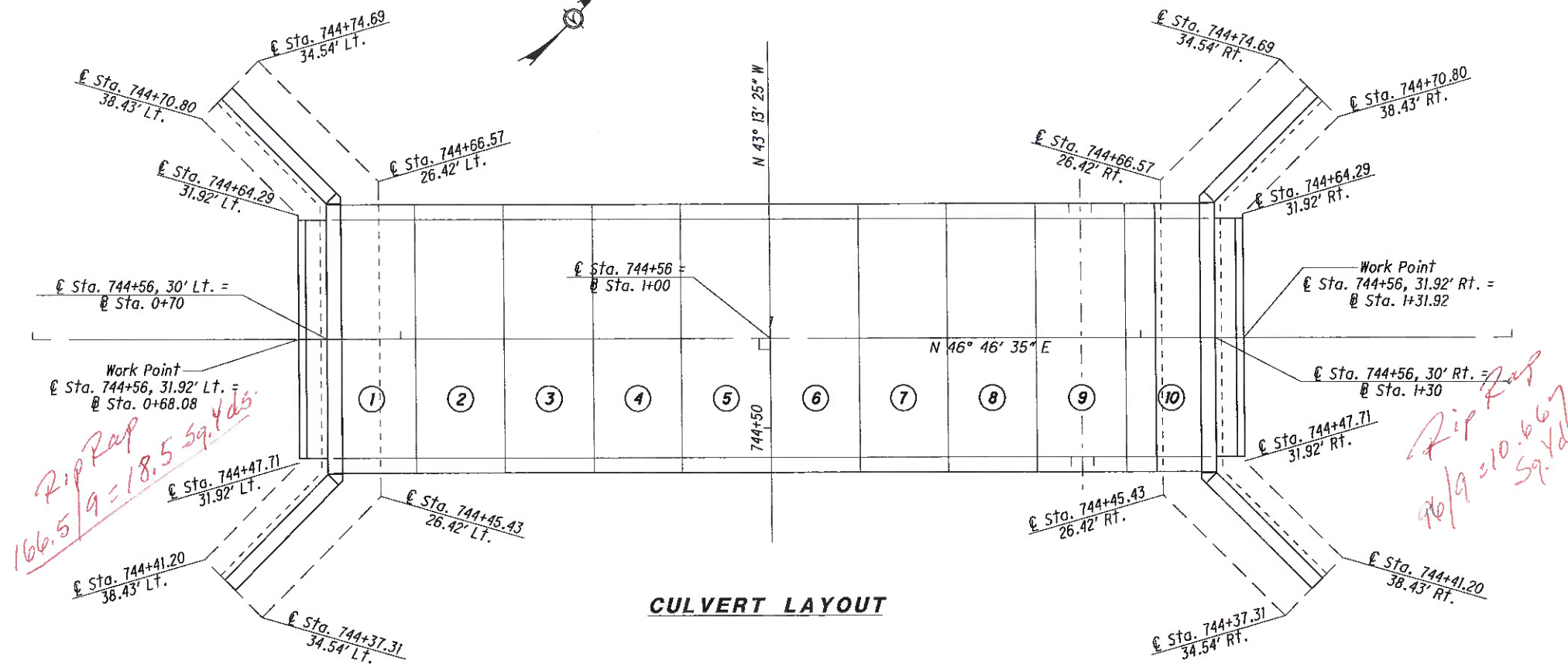
PAYMENT SHALL BE MADE AT THE UNIT PRICE BID FOR ITEM 611 - 16' x 5' CONDUIT, TYPE A, 706.05, AS PER PLAN AND SHALL INCLUDE ALL LABOR, EQUIPMENT, TOOLS AND INCIDENTALS NECESSARY TO COMPLETE THE WORK.



BOX DETAIL ELEVATION SECTION 9



BOX DETAIL PLAN SECTIONS 1 - 8 & 10



OUTLET ELEVATION
Outlet Elev. at 747.20

INLET ELEVATION
Inlet Elev. at 747.50

*Wingwall 2.500
0.130
2.630 x 2 = 5.26*

*Footer 12.084
5.032
1.11*

8.5 x 4 = 34 sq. ft.

10.667 sq. yds

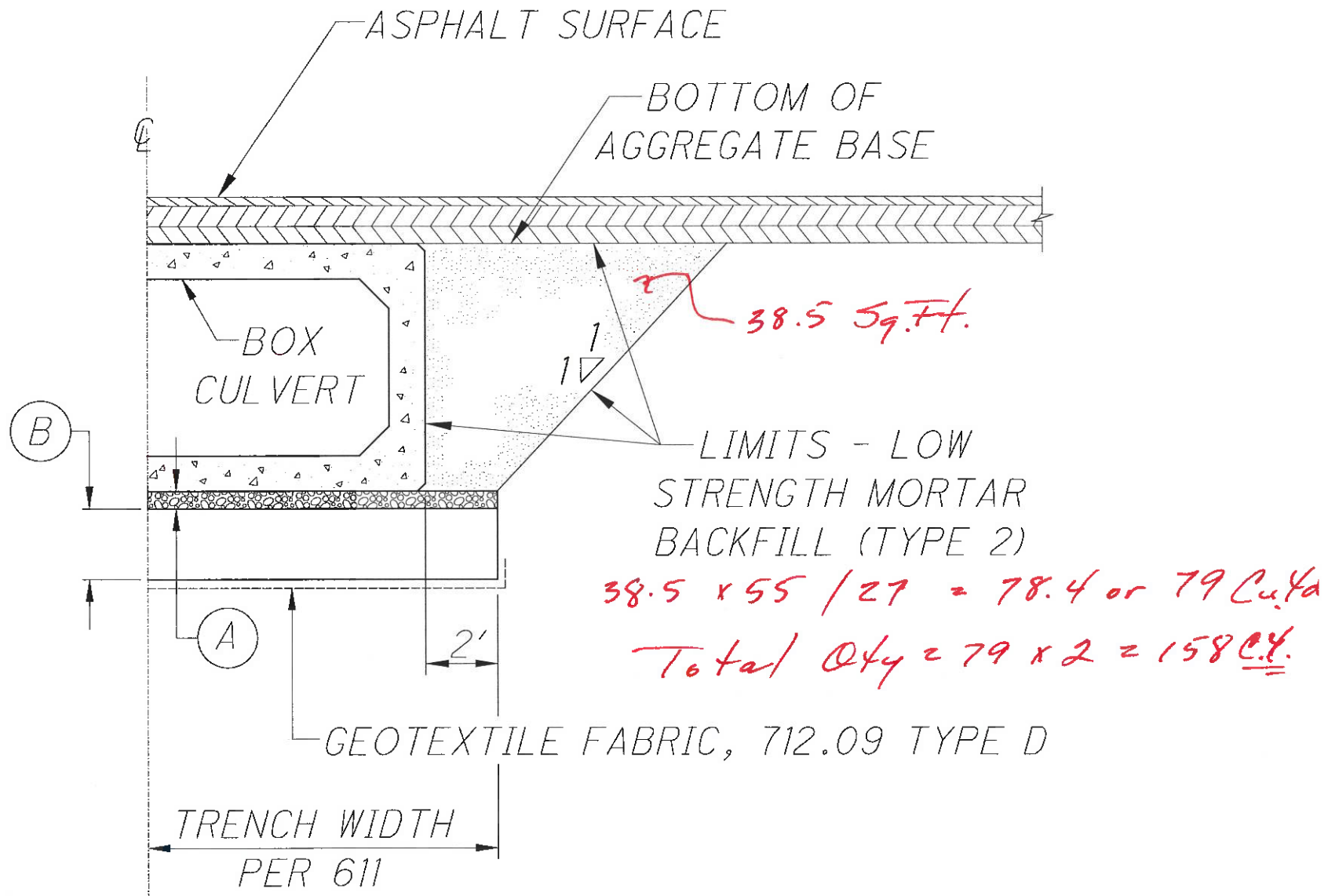
Wingwall 6.557

*Footer 12.084
5.032
1.278*

8.5 x 4 = 34 sq. ft.

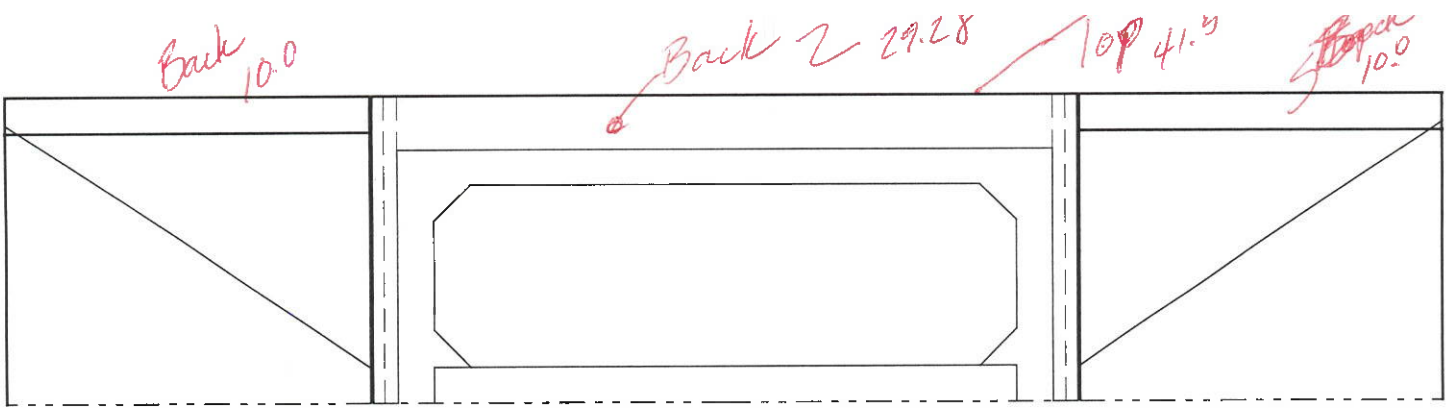
DESIGNED	CAK	CHECKED	JPH
DRAWN	CAK	REVISED	
REVIEWED	WAB	DATE	X/XX/19
STRUCTURE FILE NUMBER	6105646		
DESIGN AGENCY	Ohio Department of Transportation District 10 Marietta, Ohio		
CULVERT DETAILS			
Bridge No. NOB-821-1410 Over Coal Ridge Run			
NOB-821-14.09 PID No. 101365			
3 / 6			
18 26			

J:\ProjectData\NOB\101365_NOB-821-14.10\Design\Culvert\nob-821-16x5-culv.dgn 29-OCT-2019 8:43AM ckjhn

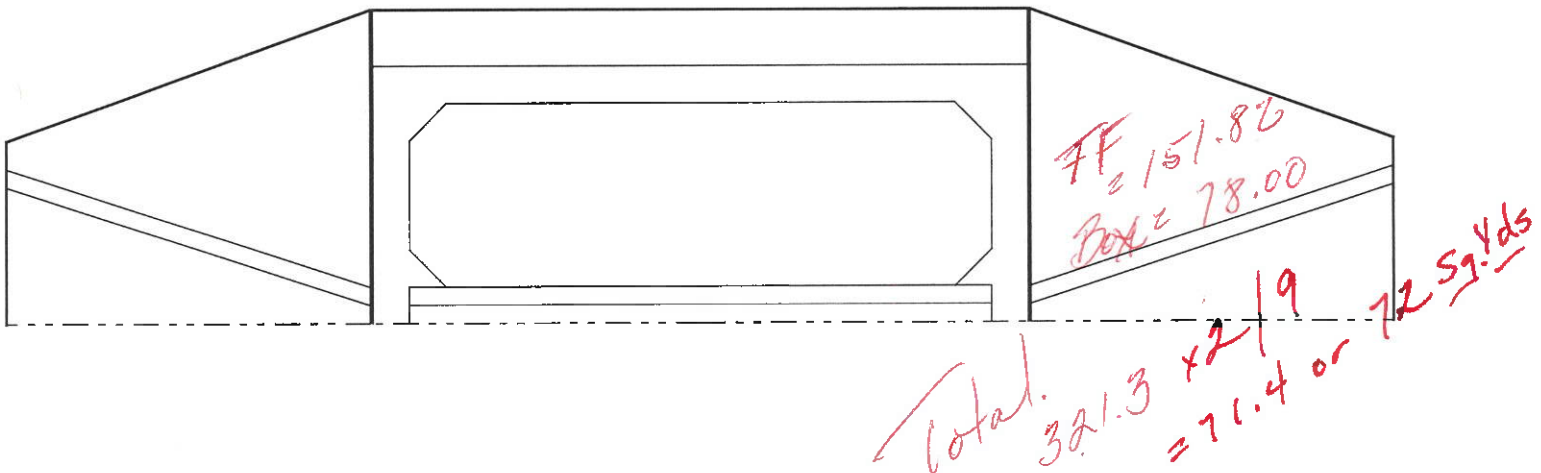
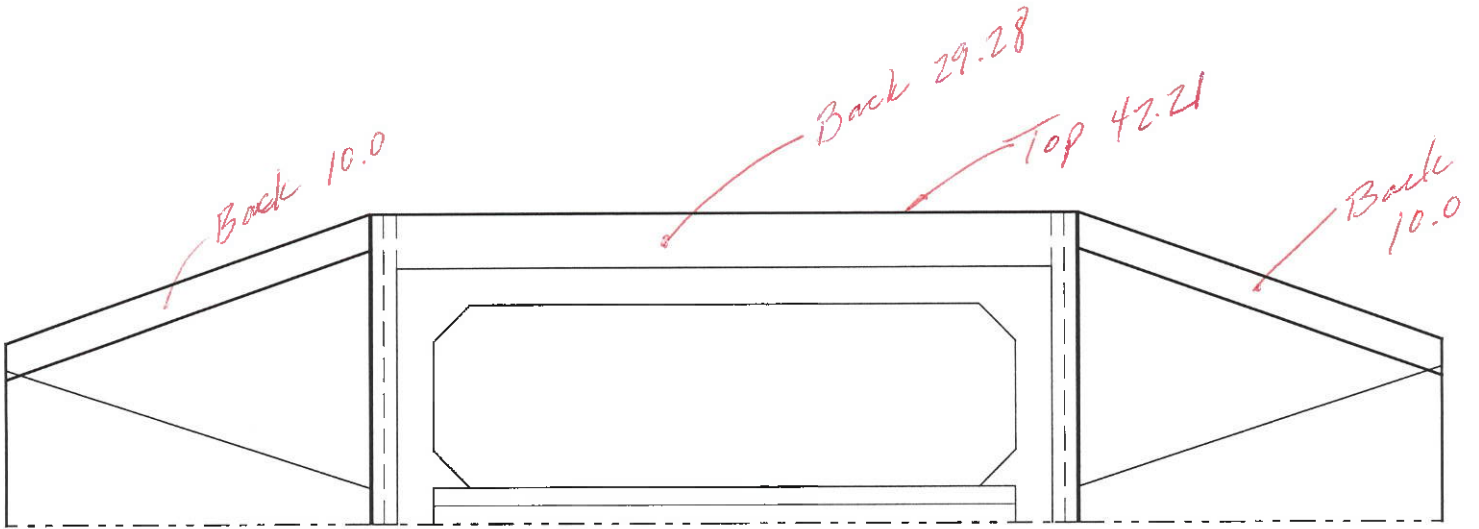
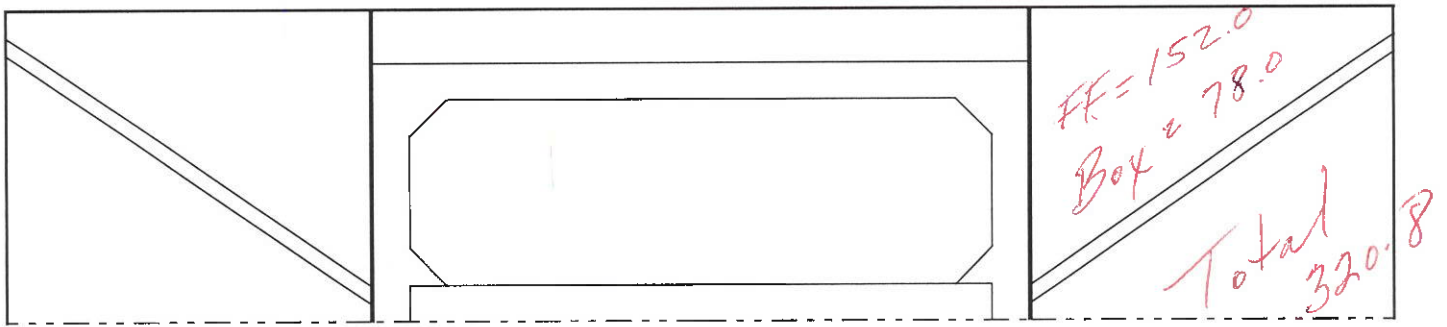


BOX TRENCH DETAIL

A = 6" MINIMUM PER 503.07



Calc's for 512 - Sealing of Concrete Surfaces
(Epoxy Urethane)



Type 2 Waterproofing

$$7'(H) \times 60'(L) / 9 = 46.7 \text{ or } 47$$

$$\text{Total} = 47 \times 2 = 94 \text{ Sq. Yds.}$$

Type 3 Waterproofing

$$20'(W) \times 58.5'(L) / 9 =$$

$$130 \text{ Sq. Yds.}$$

