

UTILITIES

THIS PROJECT REQUIRES THE INSTALLATION OF NEW GUARDRAIL POSTS. SURVEY WORK HAS NOT BEEN PERFORMED ON THIS PROJECT, NOR HAVE THE UTILITY LOCATIONS BEEN CONFIRMED IN THE FIELD. IN ADDITION TO CMS 105.07, IF, DURING THE COURSE OF INSTALLING ANY NEW GUARDRAIL COMPONENT, IT IS DETERMINED THAT A UTILITY CONFLICT MAY RESULT, THE CONTRACTOR IS TO NOTIFY THE PROJECT ENGINEER IMMEDIATELY. UTILITIES ARE NOT TO BE RELOCATED AS A RESULT OF THIS OPERATION. ADJUSTMENTS TO THE PROPOSED GUARDRAIL WILL ACCOMMODATE THE EXISTING UTILITY. THE CONTRACTOR IS RESPONSIBLE FOR INSTALLING THE GUARDRAIL VIA MEANS THAT WOULD BE COMPLIANT WITH THE IMPACTED UTILITY'S SAFETY GUIDELINES AS WELL AS STILL MEETING ODOT'S DESIGN CRITERIA. ANY MINOR ADJUSTMENTS MADE TO THE PROPOSED GUARDRAIL INSTALLATIONS SHALL BE INCIDENTAL TO PAY ITEM 606.

THERE ARE NO UNDERGROUND UTILITIES SHOWN ON THIS PLAN. THE NATURE OF THE WORK REQUIRED BY THIS PROJECT WILL NOT AFFECT ANY KNOWN UNDERGROUND UTILITIES THAT EXIST UNDER OR ADJACENT TO THE WORK AREA.

CONTINGENCY QUANTITIES

THE CONTRACTOR SHALL NOT ORDER MATERIALS OR PERFORM WORK LISTED IN THE GENERAL SUMMARY FOR ITEMS DESIGNATED BY PLAN NOTE TO BE USED "AS DIRECTED BY THE ENGINEER UNLESS AUTHORIZED BY THE ENGINEER". THE ACTUAL WORK LOCATIONS AND QUANTITIES USED AT THE ENGINEER'S DIRECTION SHALL BE MADE A MATTER OF RECORD BY INCORPORATION INTO THE FINAL CHANGE ORDER GOVERNING COMPLETION OF THE PROJECT.

PERMANENT PAVEMENT MARKINGS

THE CONTRACTOR SHALL REFERENCE ALL PAVEMENT MARKINGS INCLUDING AUXILIARY PAVEMENT MARKINGS BEFORE THE START OF THE RESURFACING OPERATION. THIS WILL BE NECESSARY TO ASSURE THE CORRECT PLACEMENT OF MARKINGS IN ORIGINAL LOCATIONS (EXCEPT WHERE NOTED ON SHEET 14).

FOR CENTER LINE MARKINGS, THE CONTRACTOR SHALL INSTALL THE PASSING/NO PASSING ZONE MARKINGS ACCORDING TO THE CURRENT CENTER LINE LOGS AVAILABLE AT

<http://www.dot.state.oh.us/Divisions/Operations/Traffic/miscellaneous/Pages/CenterlinePassingandNoPassingZoneLogs.aspx>

PAYMENT FOR THIS OPERATION SHALL BE INCLUDED WITH EACH RESPECTIVE PAVEMENT MARKING ITEM.

ITEM 623- CONSTRUCTION LAYOUT STAKES, AS PER PLAN

PRIOR TO THE START OF ROADWAY OPERATION, THE CONTRACTOR SHALL REFERENCE THE LENGTH OF THE PROJECT ON BOTH SIDES OF THE ROADWAY, IN A MANNER SATISFACTORY TO THE ENGINEER. THE PAVEMENT SHALL BE REFERENCED IN 1000' FEET INCREMENTS, OR IN INCREMENTS ACCEPTABLE TO THE ENGINEER, IN A SEMIPERMANENT CONDITION.

ITEM 254- PAVEMENT PLANING, ASPHALT CONCRETE

THE PAVEMENT PLANING SHALL BE SCHEDULED SO AS TO BE COVERED BY THE INTERMEDIATE COURSE PRIOR TO REOPENING THE LANE TO TRAFFIC. THE COST OF THE ABOVE SHALL BE INCLUDED IN THE UNIT BID PRICE FOR THE RESPECTIVE ITEM. A DISINCENTIVE IN THE AMOUNT OF \$5400 SHALL BE ASSESSED FOR EACH DAY, OR PORTION THEREOF, A PLANED SURFACE IS OPEN TO TRAFFIC.

ITEM 621- RPM REMOVED/REPLACED

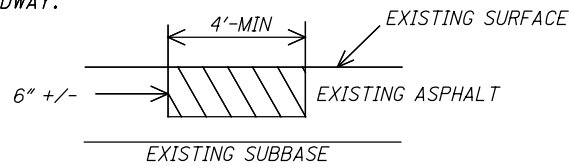
ITEM 621- RPM, Y/Y.....565 EA
 ITEM 621- RPM, 1-WAY (WHITE)32 EA
 ITEM 621- RPM, 2-WAY (WHITE/RED)7 EA

THE FOLLOWING QUANTITIES HAVE BEEN CARRIED TO THE GENERAL SUMMARY:

ITEM 621- RPM604 EA
 ITEM 621- RPM REMOVED.....604 EA

ITEM 253- PAVEMENT REPAIR

AN ESTIMATED QUANTITY OF 250 CU YDS OF ITEM 253- PAVEMENT REPAIR HAS BEEN CARRIED TO THE GENERAL SUMMARY TO BE USED AS DIRECTED BY THE ENGINEER. THIS OPERATION SHALL BE PERFORMED BEFORE PAVEMENT PLANING OF ROADWAY.



EXISTING DETERIORATED ASPHALT SHALL BE REMOVED TO A MAXIMUM DEPTH OF 6" INCHES OR AS DIRECTED BY THE ENGINEER AND REPLACED WITH ITEM 301, ASPHALT CONCRETE BASE. THE 301 SHALL BE COMPACTED AS PER 401.15 AND IN APPROXIMATELY EQUAL LAYERS. THE LOCATIONS AND SIZE OF THE REPAIRS SHALL BE DETERMINED BY THE ENGINEER.

DRINKING WATER PROTECTION AREA

THIS PROJECT IS LOCATED IN OR NEAR A DRINKING WATER PROTECTION AREA. IN ORDER TO MINIMIZE THE POTENTIAL FOR CONTAMINATION, THE CONTRACTOR SHALL NOT PERFORM PROJECT RELATED REFUELING AND VEHICLE MAINTENANCE ACTIVITIES ON PRE-127 FROM SLM 23.73 TO 23.58, 20.47 TO 20.07, AND 15.14 TO 14.71. THE CONTRACTOR SHALL IMMEDIATELY TAKE STEPS TO MITIGATE ANY EVENT, SUCH AS A SPILL OF FUELS, OILS, OR CHEMICALS, THAT COULD THREATEN TO CONTAMINATE THE DRINKING WATER SUPPLY. IF THE SPILL IS A REPORTABLE AMOUNT (PER OHIO EPA'S RELEASE REPORTING REQUIREMENTS), THE CONTRACTOR SHALL CONTACT EATON CITY FIRE DEPARTMENT (937-456-5361) OR THE OHIO EPA'S SPILLA HOTLINE (1-800-282-9378) FOR CLEAN-UP OF THE SPILL.

DESIGN DESIGNATION

		PRE-127					
		14.71-15.8	15.85-18.	18.85-19.	19.72-20.	20.19-23.	23.40-23.
		5	85	03	19	40	78
ADT	2021	9900	7700	7600	6000	4800	3700
ADT	2033	11000	8400	8100	6300	5000	4000
K		0.1	0.12	0.12	0.12	0.12	0.12
DHV		1100	1000	950	750	600	500
DHV		0.56	0.12	0.52	0.64	0.63	0.63
T24		11%	12%	12%	15%	16%	25%

ITEM 611 - MANHOLE ADJUSTED TO GRADE

THIS WORK SHALL CONSIST OF ADJUSTING MANHOLES TO GRADE PRIOR TO APPLICATION OF THE SURFACE COURSE, AS DIRECTED BY THE ENGINEER. THE FOLLOWING QUANTITY HAS BEEN CARRIED TO THE GENERAL SUMMARY:

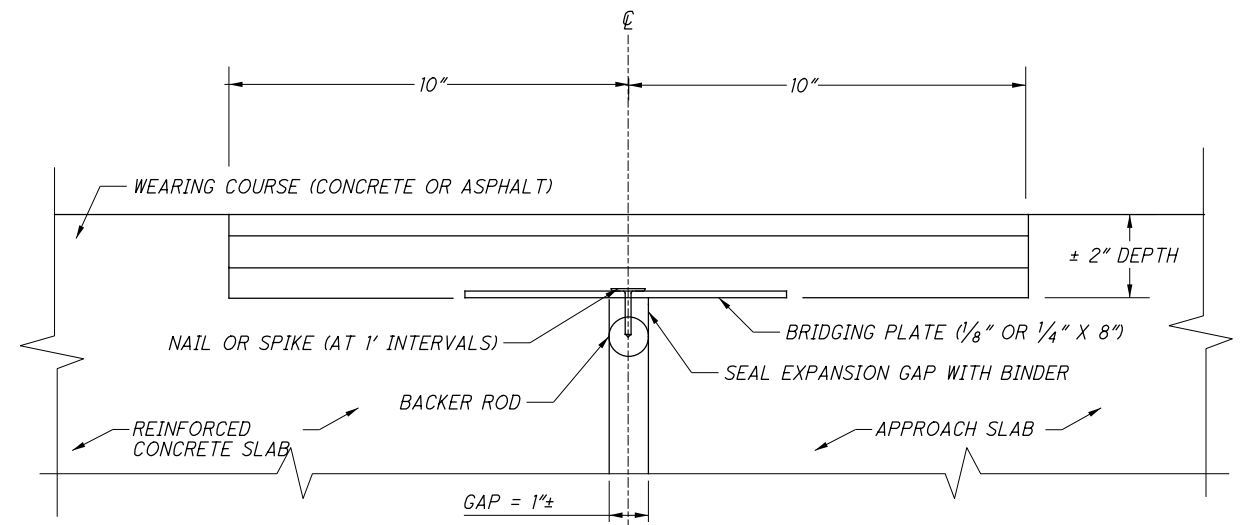
ITEM 611 - MANHOLE ADJUSTED TO GRADE..... 4 EA.

ITEM 642 - REMOVAL OF PAVEMENT MARKING

THIS WORK SHALL CONSIST OF REMOVING PAVEMENT MARKINGS ON CONCRETE THAT WILL NOT BE REPLACED. SEE SHEET 16 FOR PLAN VIEW OF PROPOSED REMOVAL OF PAVEMENT MARKINGS. THE FOLLOWING QUANTITIES HAVE BEEN CARRIED TO THE GENERAL SUMMARY:

ITEM 642 - REMOVAL OF PAVEMENT MARKINGS 162 FT.
 ITEM 642 - REMOVAL OF PAVEMENT MARKINGS 4 EA.
 ITEM 642 - REMOVAL OF PAVEMENT MARKINGS 0.14 MI.

TYPICAL POLYMER MODIFIED ASPHALT EXPANSION JOINT FOR CONCRETE SLAB



ITEM 846-POLYMER MODIFIED ASPHALT EXPANSION JOINT SYSTEM

THE DETAIL BELOW WAS USED AS A BASIS TO ESTIMATE A QUANTITY FOR ITEM 846.

WIDTH = 1.67 FT
 DEPTH = 0.25 FT
 LENGTH = SEE TABLE BELOW

VOLUME = (WIDTH)*(DEPTH)*(LENGTH)

POLYMER MODIFIED ASPHALT (PMA) EXPANSION JOINT			
BRIDGE LOCATION	# OF JOINTS	PMA EXPANSION JOINT LENGTHS (FT)	VOLUME (CU FT)
PRE-127-1718	2	45	18.78
		45	18.78
TOTAL	2	90	37.56

EXISTING STRUCTURE VERIFICATION

DETAILS AND DIMENSIONS SHOWN ON THESE PLANS PERTAINING TO THE EXISTING STRUCTURES HAVE BEEN OBTAINED FROM PLANS OF THE EXISTING STRUCTURES AND FROM FIELD OBSERVATIONS AND MEASUREMENTS. CONSEQUENTLY, THEY ARE INDICATIVE OF THE EXISTING STRUCTURES AND THE PROPOSED WORK, BUT THEY SHALL BE CONSIDERED TENTATIVE AND APPROXIMATE. THE CONTRACTOR IS REFERRED TO C&MS SECTIONS 102.05 AND 105.02.

STRUCTURE PRE-127-1718 PROPOSED WORK (STRUCTURAL FILE NUMBER: SFN 6802680)

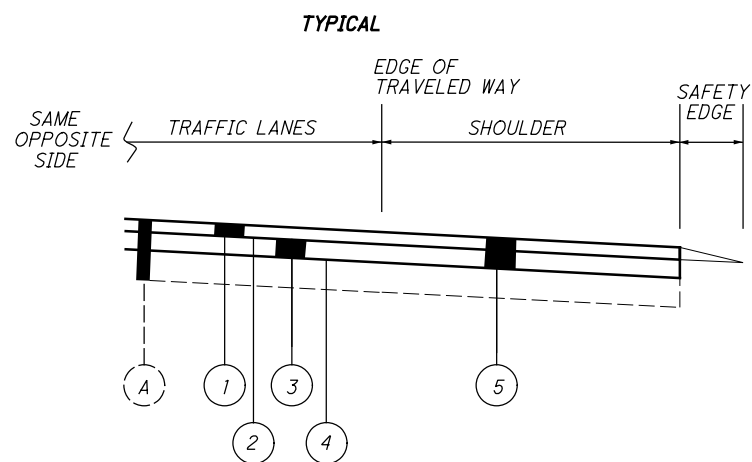
- MILL/FILL SURFACE COURSE OF ASPHALT ON THE BRIDGE AND APPROACH SLABS, AS SPECIFIED ON SHEET 8.
- REPLACE THE POLYMER MODIFIED ASPHALT EXPANSION JOINTS PER THE DETAIL & NOTES ON THIS SHEET.

I:\ProjectData\PRE-127-14.69\Design\Roadway\Sheets\98567_GN001.dgn Sheet 9/24/2020 7:36:0 AM whenson

CALCULATED
SEC
CHECKED
WWH

GENERAL NOTES

PRE-US 127-14.69



- A EXISTING ASPHALT CONCRETE PAVEMENT
- 1 ITEM 441 - 1.25" ASPHALT CONCRETE SURFACE COURSE, TYPE 1 (448), PG 64-22
- 2 ITEM 407 - NON-TRACKING TACK COAT
- 3 ITEM 441 - 1.75" ASPHALT CONCRETE INTERMEDIATE COURSE, TYPE 2 (448)
- 4 ITEM 407 - NON-TRACKING TACK COAT
- 5 ITEM 254 - 3.00" PAVEMENT PLANING, ASPHALT CONCRETE

I:\ProjectData\PRE\98567_PRE-127-14.69\Design\Roadway\Sheets\98567.dgn Sheet 7/16/2020 3:05:35 PM scotttere

PLAN SPLIT	COUNTY-ROUTE	LOG POINT (MILE)		LENGTH		PAVEMENT AREA (MICRO-STATION GENERATED AREA)	PAVEMENT AREA, NO SHOULDERS (MICRO-STATION GENERATED AREA)	PAVEMENT AREA	PAVEMENT AREA (NO SHOULDERS FOR ANTI-SEGRIGATION)	209	254				407	407	441				617		618		NOTES							
		FROM	TO	MILES	FT					SQ FT	SQ FT	SQ YD	SQ YD	PREPARING SUBGRADE FOR SHOULDER PAVING	PAVEMENT PLANING ASPHALT CONCRETE		PATCHING PLANED SURFACE	NON TRACKING TACK COAT @ 0.06 GAL/SQ YD	NON TRACKING TACK COAT @ 0.09 GAL/SQ YD	ASPHALT CONCRETE SURFACE COURSE, TYPE 1, (448), PG 64-22		ASPHALT CONCRETE INTERMEDIATE COURSE, TYPE 2 (448)		ANTI-SEGREGATION EQUIPMENT		COMPACTED AGGREGATE TYPE A, 3" MIN. DEPTH	WATER @ 20 GAL/CU YD	RUMBLE STRIPES, EDGE LINE (ASPHALT CONCRETE)	RUMBLE STRIPES, CENTER LINE (ASPHALT CONCRETE)			
														MILES	INCHES	SQ YD	INCHES	SQ YD	SQ YD	GAL	GAL	INCHES	CU YD	CU YD		INCHES	CU YD	INCHES	CU YD	CU YD	MGAL	MILES
02/SK2/PV	PRE-127	14.71	15.46	0.75	3960	119078	81791	13231	9088	1.50	3.00	13230.9		133	793.9	1190.8	1.25	459.4	15.9	1.75	643.2	3.00	1514.6	45.2	0.90	1.50	0.49	CENTER LINE RUMBLE STRIPES FROM SLM 14.91 to 15.41				
01/STR/PV	PRE-127	15.46	19.03	3.57	18850	560685	416064	62298	46229	7.14	3.00	62298.3		623	3737.9	5606.9	1.25	2163.1	75.6	1.75	3028.4	3.00	7704.9	215.3	4.31	7.14	0.80	CENTER LINE RUMBLE STRIPES FROM SLM 15.96 to 16.74				
01/STR/PV	PRE-127	17.17	17.19	0.02	106	277	246	31	27			1.25	30.8	1	1.8	2.8	1.25	1.1				1.25	1.9					ASPHALT BRIDGE				
01/STR/PV	PRE-127	19.72	23.73	4.01	21173	646270	481356	71808	53484	8.02	3.00	71807.8		719	4308.5	6462.7	1.25	2493.3	84.9	1.75	3490.7	3.00	8914.0	241.9	4.84	8.02	0.33	CENTER LINE RUMBLE STRIPES FROM SLM 19.76 to 20.08				
TOTALS CARRIED TO GENERAL SUMMARY										17		147337		31	1476		22106					5294			7163		18136	502	10	17.00	2.00	