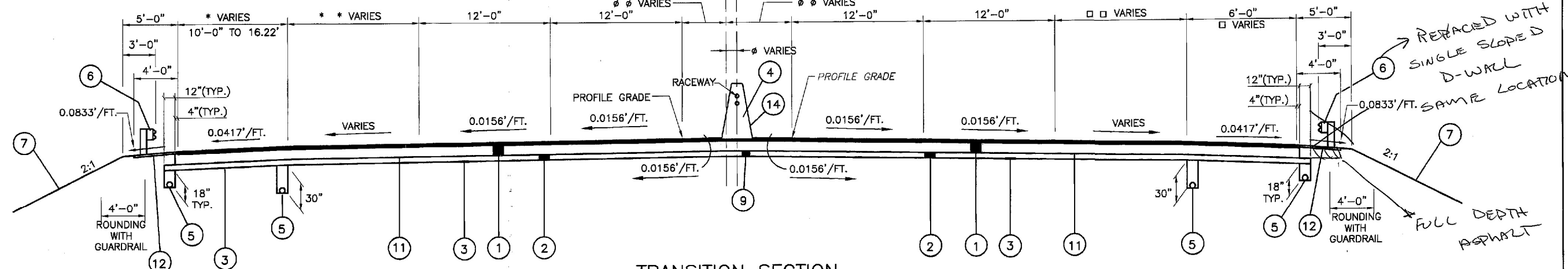


CONSTRUCTION & SURVEY



TRANSITION SECTION

STA. 8+00.00 TO STA. 9+45.00 = 145.00 L.F.
 STA. 9+45.00 TO STA. 9+79.15 = 34.15 L.F.
 179.15 L.F.

STA. 9+79.15 TO STA. 12+13.15 (NAVARRE RD. STRUCTURE)

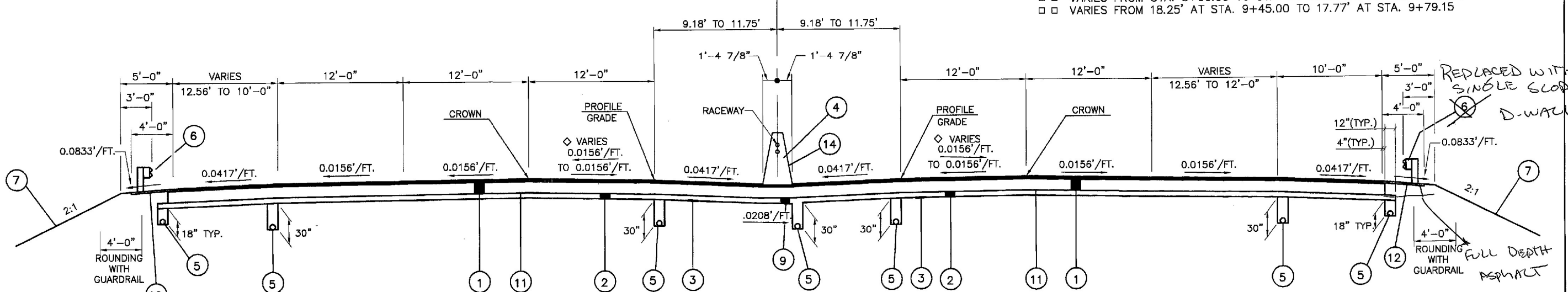
Ø VARIES FROM 0'-9" (RT.) AT STA. 8+00.00 TO 0'-0" (RT.) AT STA. 9+45.00
 0'-0" FROM STA. 9+45.00 TO STA. 9+79.15

Ø Ø VARIES FROM 4.0'(LT.) AT STA. 8+00.00 TO 5.5'(LT.) AT STA. 9+45.00
 Ø Ø VARIES FROM 5.5'(LT.) AT STA. 9+45.00 TO 5.97'(LT.) AT STA. 9+79.15
 Ø VARIES FROM 6.80'(RT.) AT STA. 8+00.00 TO 5.50'(RT.) AT STA. 9+45.00
 Ø Ø VARIES FROM 5.5'(RT.) AT STA. 9+45.00 TO 5.97'(RT.) AT STA. 9+79.15

□ VARIES FROM 6.0' AT STA. 8+90.00 TO 10.0' AT STA. 9+45.00
 □ □ VARIES FROM STA. 8+00.00 TO STA. 9+45.00 SEE PAVEMENT DETAIL
 □ □ VARIES FROM 18.25' AT STA. 9+45.00 TO 17.77' AT STA. 9+79.15

- * VARIES FROM STA. 8+00.00 TO STA. 9+79.15
- * * VARIES FROM STA. 8+00.00 TO STA. 9+45.00 SEE PAVEMENT DETAIL
- * * VARIES FROM 12.11' AT STA. 9+45.00 TO 11.55' AT STA. 9+79.15

CONSTRUCTION & SURVEY



TRANSITION SECTION

STA. 12+13.15 TO STA. 14+00.00 = 186.85 L.F.
 186.85 L.F.

◇ VARIES FROM STA. 12+50.00 TO STA. 14+00.00, LT. & RT.
 SEE SUPERELEVATION TABLE ON SHEET 297.

◇◇ STANDARD THICKNESS FOR THIS ITEM IS 6" EXCEPT THICKNESS
 VARIES UNDER CONCRETE MEDIAN BARRIER

LEGEND

- | | |
|---|--|
| ① ITEM 880 - 14 1/4" ASPHALT CONCRETE WITH WARRANTY (7 YEAR), AS PER PLAN | ⑥ ITEM 622 - CONCRETE BARRIER, SINGLE SLOPE, TYPE C1 |
| ② ITEM 304 - 6" AGGREGATE BASE | ⑨ ITEM 304 - AGGREGATE BASE (THICKNESS VARIES)◇◇ |
| ③ ITEM 203 - SUBGRADE COMPACTION | ⑩ ITEM 830 - CURB, TYPE 6 |
| ④ ITEM 622 - CONCRETE BARRIER, SINGLE SLOPE, TYPE B1 | ⑪ ITEM .408 - BITUMINOUS PRIME COAT |
| ⑤ ITEM 605 - 6" SHALLOW PIPE UNDERDRAIN W/FABRIC WRAP | ⑫ ITEM 448 - 2" ASPHALT CONCRETE INTERMEDIATE COURSE,
UNDER GUARDRAIL, TYPE 1, PG64-22, AS PER PLAN |
| ⑥ ITEM 606 - GUARDRAIL, TYPE 5 | ⑬ ITEM 606 - GUARDRAIL, BARRIER DESIGN, TYPE 5 |
| ⑦ ITEM 870 - SEEDING AND MULCHING | ⑭ ITEM 864 - SEALING OF CONCRETE SURFACES (EPOXY-URETHANE) |

REVISED