

UTILITIES

THE CONTRACTOR SHALL USE THE FOLLOWING PROCEDURE AT EACH LOCATION WHERE WORK IS PERFORMED, IN ACCORDANCE WITH SECTIONS 105.07 AND 107.16 IN THE CONSTRUCTION AND MATERIALS SPECIFICATIONS.

THE CONTRACTOR SHALL NOTIFY THE PROJECT ENGINEER, OHIO811, THE OHIO DEPARTMENT OF TRANSPORTATION DISTRICT 4 HEADQUARTERS (MICHELLE CHANEY AT 330-786-2267) AND ALL NON REGISTERED UTILITY OWNERS AT LEAST TWO (2) WORKING DAYS PRIOR TO COMMENCING CONSTRUCTION OPERATIONS IN ALL AREAS.

THE LOCATION OF EXISTING UNDERGROUND UTILITIES ARE NOT SHOWN ON THE PLANS, BUT CAN BE OBTAINED FROM THE OWNERS OF THE UTILITIES. THE CONTRACTOR IS RESPONSIBLE FOR ANY DAMAGE TO UTILITIES.

WORK LIMITS

THE WORK LIMITS SHOWN ON THESE PLANS ARE FOR PHYSICAL CONSTRUCTION ONLY. PROVIDE THE INSTALLATION AND OPERATION OF ALL WORK ZONE TRAFFIC CONTROL AND WORK ZONE TRAFFIC CONTROL DEVICES REQUIRED BY THESE PLANS WHETHER INSIDE OR OUTSIDE THESE WORK LIMITS.

PROFILE AND ALIGNMENT

PLACE THE PROPOSED PAVEMENT TO FOLLOW THE ALIGNMENT AND PROFILE OF THE EXISTING PAVEMENT AS SHOWN ON THE TYPICAL SECTIONS.

PAVEMENT MARKING LANE WIDTHS

THE NORMAL LANE WIDTH FOR THE PAVEMENT MARKINGS ON THIS PROJECT SHALL BE AS FOLLOWS [AT LEAST 3 DAYS PRIOR TO PERFORMING THE WORK CONTACT THE TRAFFIC OFFICE AT 330-786-3147 TO CONFIRM THE WIDTHS]:

| ROUTE | S.L.M. | TO S.L.M. | LANE WIDTH |
|-----------|--------|-----------|------------|
| US 62T EB | 0.00 | 0.60 | 12' |
| US 62T EB | 1.73 | 4.67 | 12' |
| US 62T WB | 0.00 | 1.08 | 12' |
| US 62T WB | 2.35 | 4.67 | 12' |

PAVEMENT MARKING DETAILS

THE PAVEMENT MARKING DETAIL SHEETS WILL BE SUPPLIED TO THE CONTRACTOR AT THE PRE-CONSTRUCTION MEETING. FOR ANY LOCATIONS THAT PAVEMENT MARKING DETAILS ARE NOT BEEN MADE AVAILABLE TO THE CONTRACTOR, IT WILL BE THE CONTRACTORS RESPONSIBILITY TO PUT BACK NEW PAVEMENT MARKINGS IN THE ORIGINAL LOCATIONS.

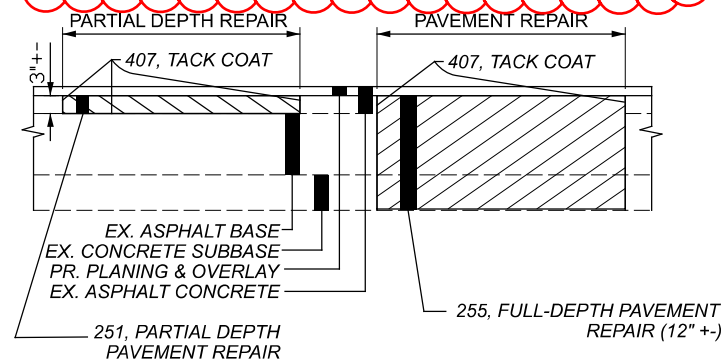
ITEM 251 - PARTIAL DEPTH PAVEMENT REPAIR (441)

A QUANTITY OF THIS ITEM SHALL BE PROVIDED FOR USE AS DIRECTED BY THE ENGINEER. THE ITEM SHALL CONSIST OF REPAIRING EXISTING LOCATIONS EXHIBITING SURFACE DETERIORATION AND PLACING ITEM 441 ASPHALT CONCRETE, TYPE 2. THE ASPHALT CONCRETE SHALL BE COMPACTED WITH A TYPE I PNEUMATIC TIRE ROLLER AND A STEEL WHEEL ROLLER AS PER 401.13. IT IS NOT THE INTENT TO REPAIR EVERY DETERIORATED AREA WITHIN THE PROJECT. THE ENGINEER SHALL DETERMINE WHICH AREAS ARE TO BE REPAIRED. UNLESS OTHERWISE DIRECTED BY THE ENGINEER, THIS ITEM SHALL BE PERFORMED AFTER THE COMPLETION OF MAINLINE PAVEMENT PLANING. ALSO, THIS ITEM SHALL COMMENCE WITHIN 7 DAYS OF THE COMPLETION OF MAINLINE PAVEMENT PLANING. PAYMENT SHALL BE BASED ON THE ACTUAL NUMBER OF SQUARE YARDS OF PAVEMENT REPAIR. THE FOLLOWING ESTIMATED QUANTITY HAS BEEN CARRIED TO THE GENERAL SUMMARY:
 251, PARTIAL DEPTH PAVEMENT REPAIR (441), 2,500 SQ. YD.

ITEM 255 - PAVEMENT REPAIR

A QUANTITY OF THIS ITEM SHALL BE PROVIDED FOR USE AS DIRECTED BY THE ENGINEER. THIS ITEM SHALL CONSIST OF CUTTING AND REMOVING DETERIORATED PAVEMENT FULL DEPTH AND PLACING 12"± 452 NON REINFORCED CONCRETE PAVEMENT, CLASS CC1P.

UNLESS OTHERWISE DIRECTED BY THE ENGINEER, THIS ITEM SHALL BE PERFORMED AFTER THE COMPLETION OF MAINLINE PAVEMENT PLANING. ALSO, THIS ITEM SHALL COMMENCE WITHIN 7 DAYS OF THE COMPLETION OF MAINLINE PAVEMENT PLANING. IT IS NOT THE INTENT TO REPAIR EVERY DETERIORATED AREA WITHIN THE PROJECT. THE ENGINEER SHALL DETERMINE WHICH AREAS ARE TO BE REPAIRED. PAYMENT SHALL BE BASED ON THE ACTUAL NUMBER OF SQUARE YARDS OF PAVEMENT REMOVED AND REPLACED TO THE LIMITS DESIGNATED BY THE ENGINEER. THE FOLLOWING ESTIMATED QUANTITY HAS BEEN CARRIED TO THE GENERAL SUMMARY:
 255, PAVEMENT REPAIR, 1,000 SQ YD
 255, FULL DEPTH PAVEMENT SAWING, 6,000 FT



ITEM 203 - EXCAVATION (FOR PAVEMENT REPAIR)

THIS ITEM OF WORK SHALL CONSIST OF REMOVING AND DISPOSING OF ALL UNSUITABLE MATERIAL BY EXCAVATING THE EXISTING SUBGRADE AND SUBBASE TO AN AVERAGE DEPTH OF 6 INCHES OR AS DIRECTED BY THE ENGINEER. EXACT LIMITS OF REMOVAL SHALL BE DETERMINED BY THE ENGINEER. ALL EQUIPMENT, LABOR, TOOLS, AND INCIDENTALS NECESSARY TO COMPLETE THIS ITEM SHALL BE INCLUDED IN THE UNIT PRICE BID FOR ITEM 203 EXCAVATION (FOR PAVEMENT REPAIR). THE FOLLOWING ESTIMATED QUANTITY HAS BEEN CARRIED TO THE GENERAL SUMMARY:
 203, EXCAVATION (FOR PAVEMENT REPAIR) 170 CU YD

ITEM 304 - AGGREGATE BASE (FOR PAVEMENT REPAIR)

THE FOLLOWING ESTIMATED QUANTITY HAS BEEN PROVIDED AND SHALL BE USED AS DIRECTED BY THE ENGINEER TO BACKFILL AREAS WHICH WERE EXCAVATED UNDER ITEM 203 EXCAVATION (FOR PAVEMENT REPAIR). THE FOLLOWING ESTIMATED QUANTITY HAS BEEN CARRIED TO THE GENERAL SUMMARY:

304, AGGREGATE BASE (FOR PAVEMENT REPAIR) 170 CU YD

ITEM 408 - PRIME COAT, AS PER PLAN

APPLY "MC-70" AT A RATE OF 0.4 GALLONS PER SQUARE YARD, OR AS DETERMINED BY THE ENGINEER, TO THE COMPLETED COMPACTED AGGREGATE SHOULDER.

ITEM 442 - ASPHALT CONCRETE SURFACE COURSE, 12.5mm, TYPE A (446), AS PER PLAN

703.05 DO NOT USE COARSE AGGREGATE FROM A SOURCE DESIGNATED 'SR' OR 'SRH' ACCORDING TO THE OFFICE OF MATERIALS MANAGEMENT (OMM) IN ANY JOB MIX FORMULA (JMF) FOR THIS ITEM.

ITEM 617 - COMPACTED AGGREGATE, AS PER PLAN

IN LOW SHOULDER AREAS EXCEEDING 1", AND ADJACENT TO THE SAFETY EDGE, OR AS DIRECTED BY THE ENGINEER, RECYCLED ASPHALT PAVEMENT (RAP) SHALL BE USED IN AREAS ADJACENT TO THE PAVED BERM. THE RAP SHALL HAVE A MINIMUM PG CONTENT OF 4.5% AND MEET THE FOLLOWING GRADATION. ONCE THE STOCKPILE MEETS THE GRADATION, THE PG CONTENT OF THE RAP SHALL BE DETERMINED PER 441.03. THE RAP ANALYSIS MUST BE SUBMITTED TO THE ENGINEER FOR APPROVAL 2 WEEKS PRIOR TO USE. METHOD OF MEASUREMENT SHALL BE AS PER 617.06. PLACEMENT AND COMPACTION SHALL MEET THE REQUIREMENTS OF ITEM 617. ALL MATERIALS, LABOR, EQUIPMENT, TOOLS AND INCIDENTALS NECESSARY TO COMPLETE THE WORK SHALL BE INCLUDED IN THE UNIT PRICE BID FOR ITEM 617 COMPACTED AGGREGATE, AS PER PLAN.

MODIFIED GRADATION SHALL APPLY:

| SIEVE | TOTAL PERCENT PASSING |
|---------|-----------------------|
| 1- 1/2" | 100 |
| 3/4" | 50-100 |
| NO. 4 | 35-70 |
| NO. 30 | 9-33 |
| NO. 200 | 0-13 |

LINEAR GRADING

AREAS WHERE THE SHOULDER IS HIGHER THAN THE EDGE OF PAVEMENT WILL BE GRADED TO PROVIDE POSITIVE DRAINAGE. THIS WORK WILL ONLY BE PERFORMED IN AREAS NECESSARY AND WILL NOT BE PERFORMED ON THE ENTIRE PROJECT. AREAS FOR THE WORK WILL BE MARKED BY THE PROJECT ENGINEER. UNDER NO CIRCUMSTANCES WILL THIS WORK BE PERFORMED CONCURRENTLY WITH ANY OTHER OPERATION.

GRADING WILL BE ACCOMPLISHED BY THE REMOVAL OF MATERIAL TO PROVIDE A 0.08 POSITIVE SLOPE. THE GRADED AREAS WILL BE COMPACTED TO A SUFFICIENT DENSITY TO PREVENT EROSION UNTIL SEEDING AND MULCHING IS PERFORMED. ALL EXCESS MATERIAL WILL BE REMOVED FROM THE BERMS AND WILL BE DISPOSED OF OFF THE PROJECT BY THE CONTRACTOR.

SEEDING AND MUCHING, FERTILIZER AND LIME WILL BE PERFORMED WITHIN A PERIOD NOT TO EXCEED 10 DAYS AFTER THE LINEAR GRADING.

THE QUANTITY OF ITEM 209 IS NOT PERMITTED TO BE INCREASED. REDUCTIONS IN QUANTITIES ARE PERMITTED AS DETERMINED BY THE PROJECT ENGINEER.

ALL MATERIALS, LABOR, EQUIPMENT, TOOLS, AND INCIDENTALS NECESSARY TO COMPLETE THIS WORK WILL BE INCLUDED IN THE UNIT PRICE FOR THE PERTINENT BID ITEM. THE FOLLOWING QUANTITIES HAVE BEEN CARRIED TO THE GENERAL SUMMARY:

- 209, LINEAR GRADING, 732 STA.
- 659, SEEDING AND MULCHING, 20,335 SQ YD
- 659, COMMERCIAL FERTILIZER, 2.75 TON
- 659, LIME, 4.20 ACRES
- 659, WATER, 109.8 M. GAL.

DESIGN AGENCY



DESIGNER

MJP

REVIEWER

MAC 01-13-21

PROJECT ID

96516

SHEET TOTAL

P.3 15