

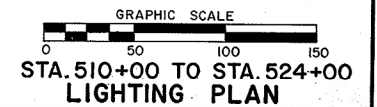
FOR DETAIL OF THIS INTERSECTION SEE SHEET 101

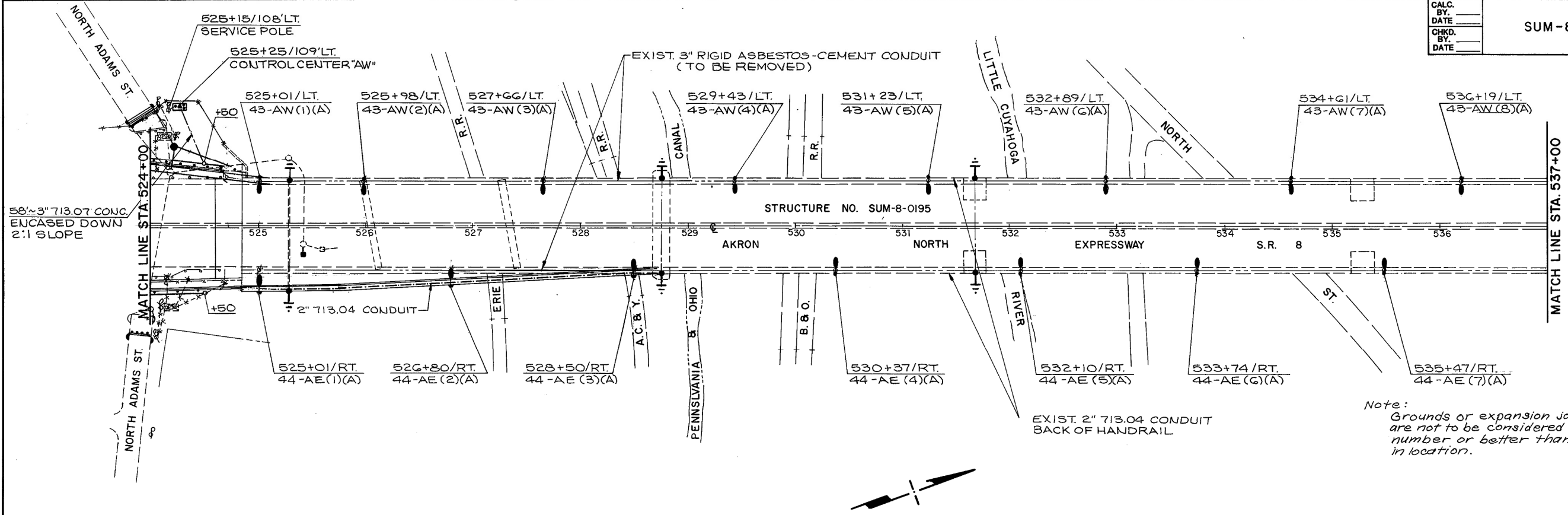
FOR DETAIL OF THIS INTERSECTION SEE SHEET 101

**LEGEND**

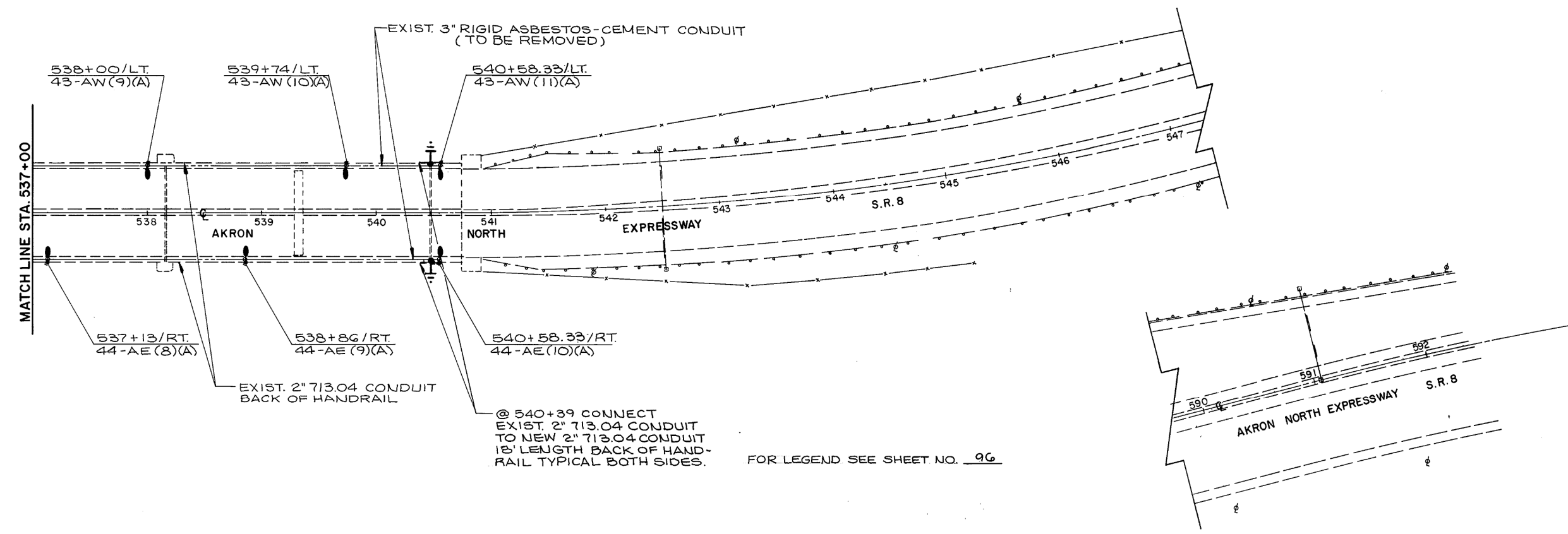
- |     |  |     |   |
|-----|--|-----|---|
| —●— | PROPOSED OVERHEAD SIGN                                 | —●— | 200W. H.P.S. TYPE III 30'M.H.                         |
| —●— | EXISTING OVERHEAD SIGN                                 | —●— | 250W. H.P.S. TYPE II 32.5'M.H.                        |
| —○— | POWER POLE   | —●— | 200W. H.P.S. TYPE II 41.7'M.H.                        |
| ○   | PULL BOX 18" CIRCULAR CONCRETE                         | —○— | 200W. H.P.S. TYPE III 41.7'M.H.                       |
| ○   | PULL BOX 24" CIRCULAR CONCRETE                         | —   | 1 1/2" DUCT CABLE W/2 NO. 4 AWG                       |
| ⊠   | EXISTING CONTROL CENTER                                | --- | CONDUIT, 713.04, 2"                                   |
| ⊠   | PROPOSED CONTROL CENTER                                | --- | CONDUIT, 713.04, 3"                                   |
| ⊠   | EXISTING LIGHT POLE TO REMAIN                          | --- | EXISTING 2" 713.07 CONDUIT CONCRETE ENCASED           |
| ⊠   | EXISTING LIGHT POLE TO BE REMOVED                      | --- | EXISTING 3" 713.07 CONDUIT CONCRETE ENCASED           |
| ⊠   | EXISTING CONDUIT TO BE ABANDONED, CABLES TO BE REMOVED | --- | CONDUIT, 713.07, ENCASED, 2", TYPE EB                 |
| ⊠   | STRUCTURE GROUNDING                                    | --- | CONDUIT, 713.07, ENCASED, 3", TYPE EB                 |
|     |  | --- | CONDUIT, 713.04, 3", JACKED OR DRILLED UNDER PAVEMENT |

TYPICAL LIGHT POLE DESIGNATION - STATION/OFFSET (FROM EDGE OF PAVEMENT)  
 44 = CIRCUIT NUMBER  
 AE = CONTROL CENTER ID  
 (1) = POLE NUMBER WITHIN CIRCUIT  
 (A) = POLE REFERENCE LETTER

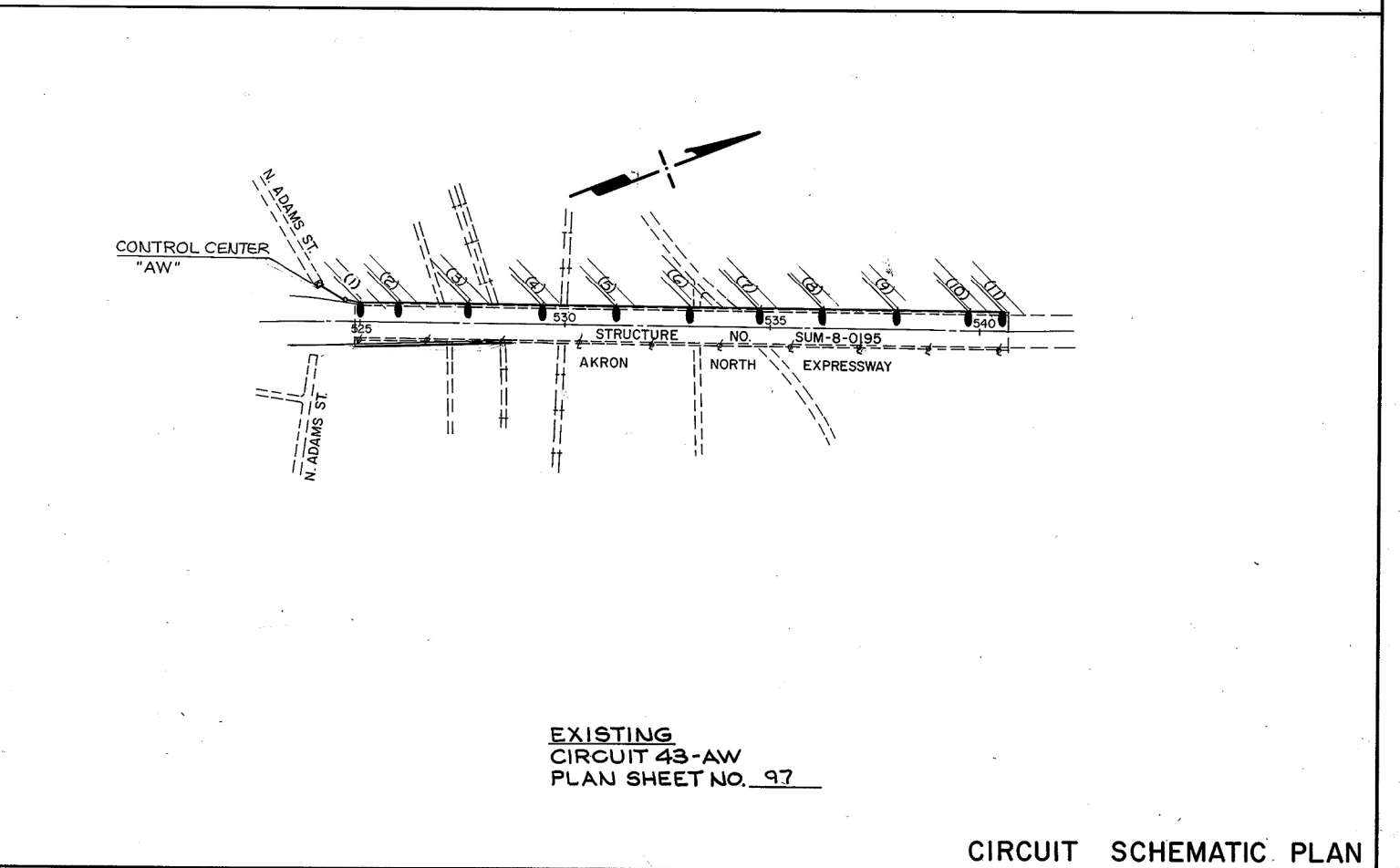
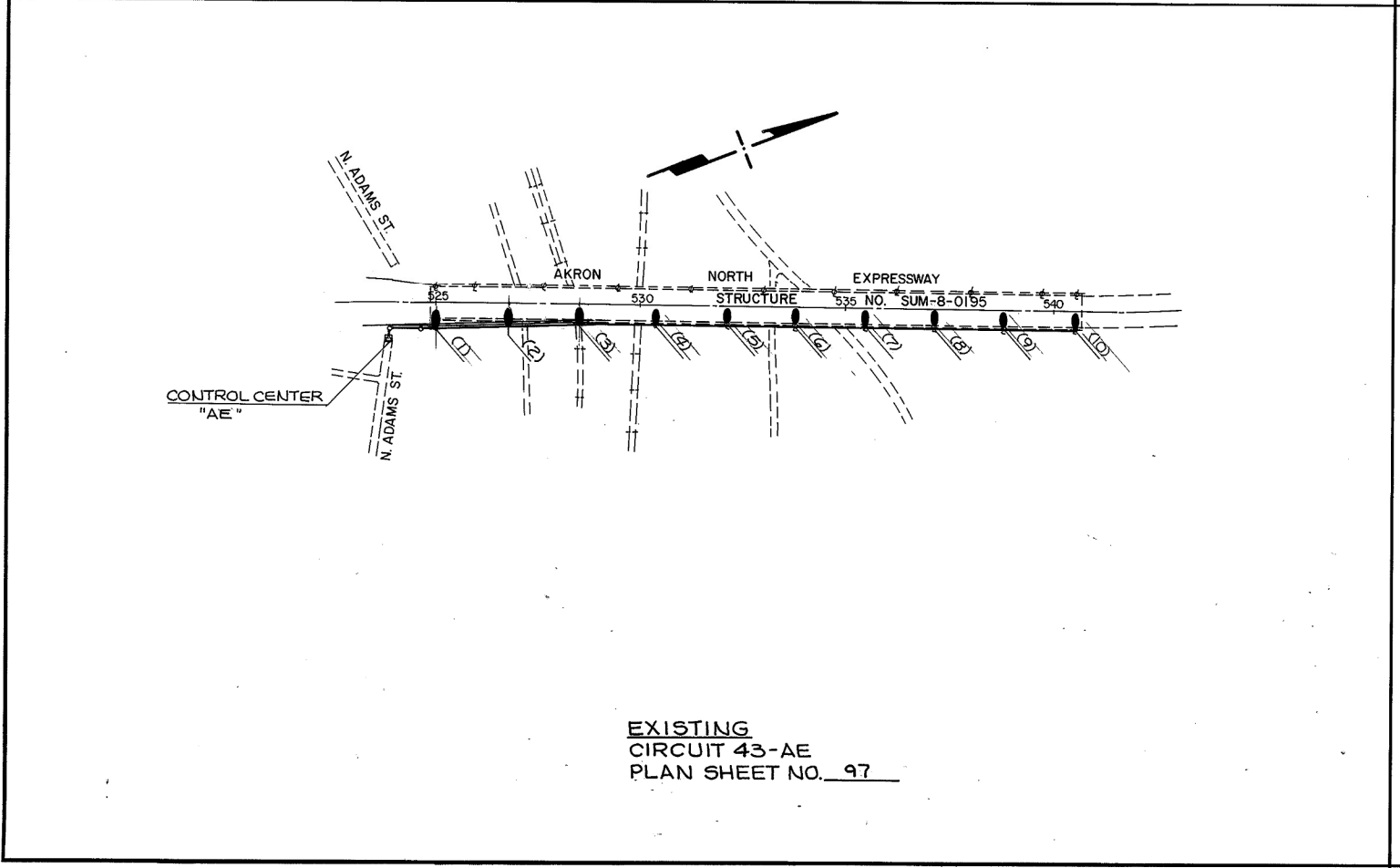
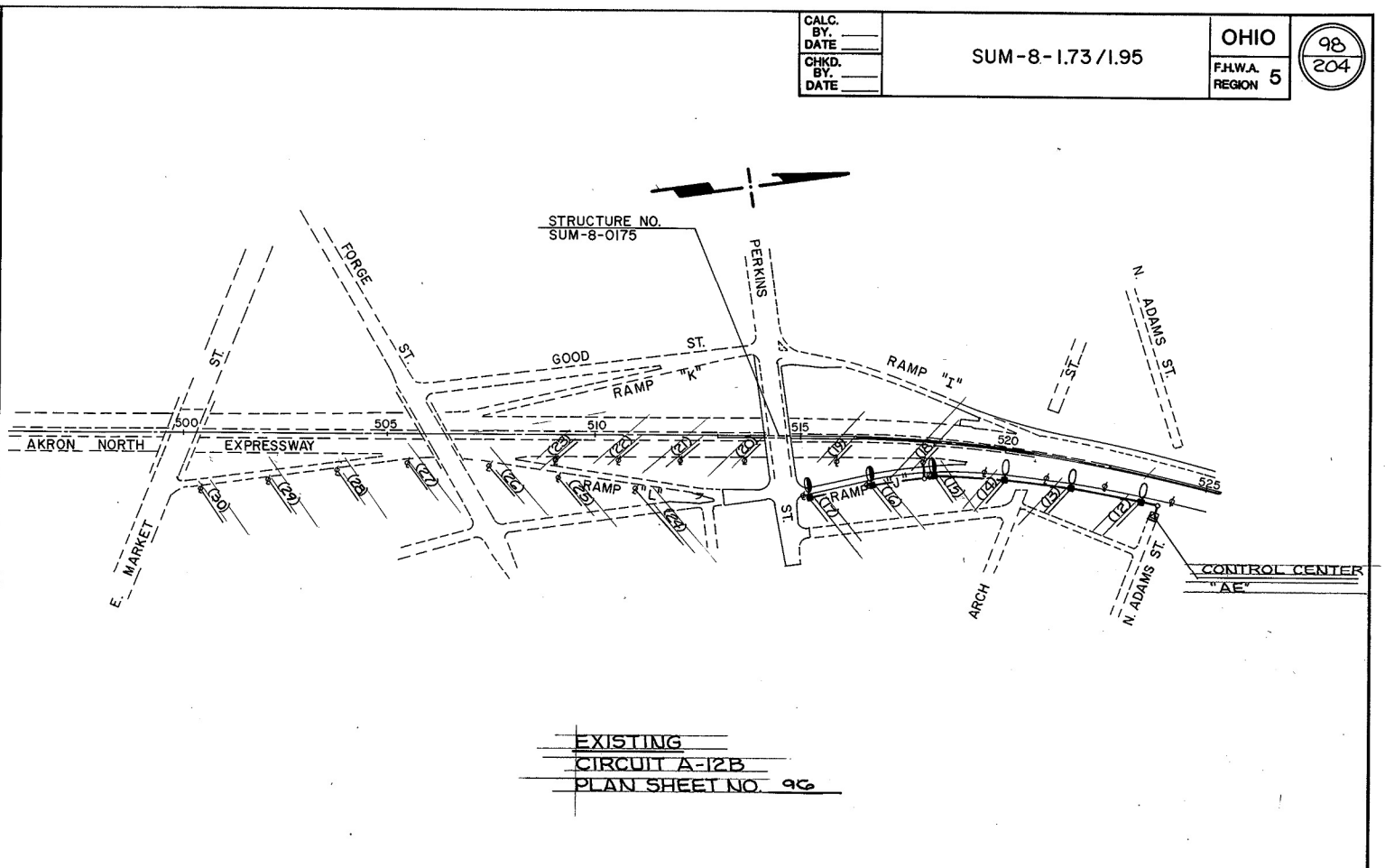
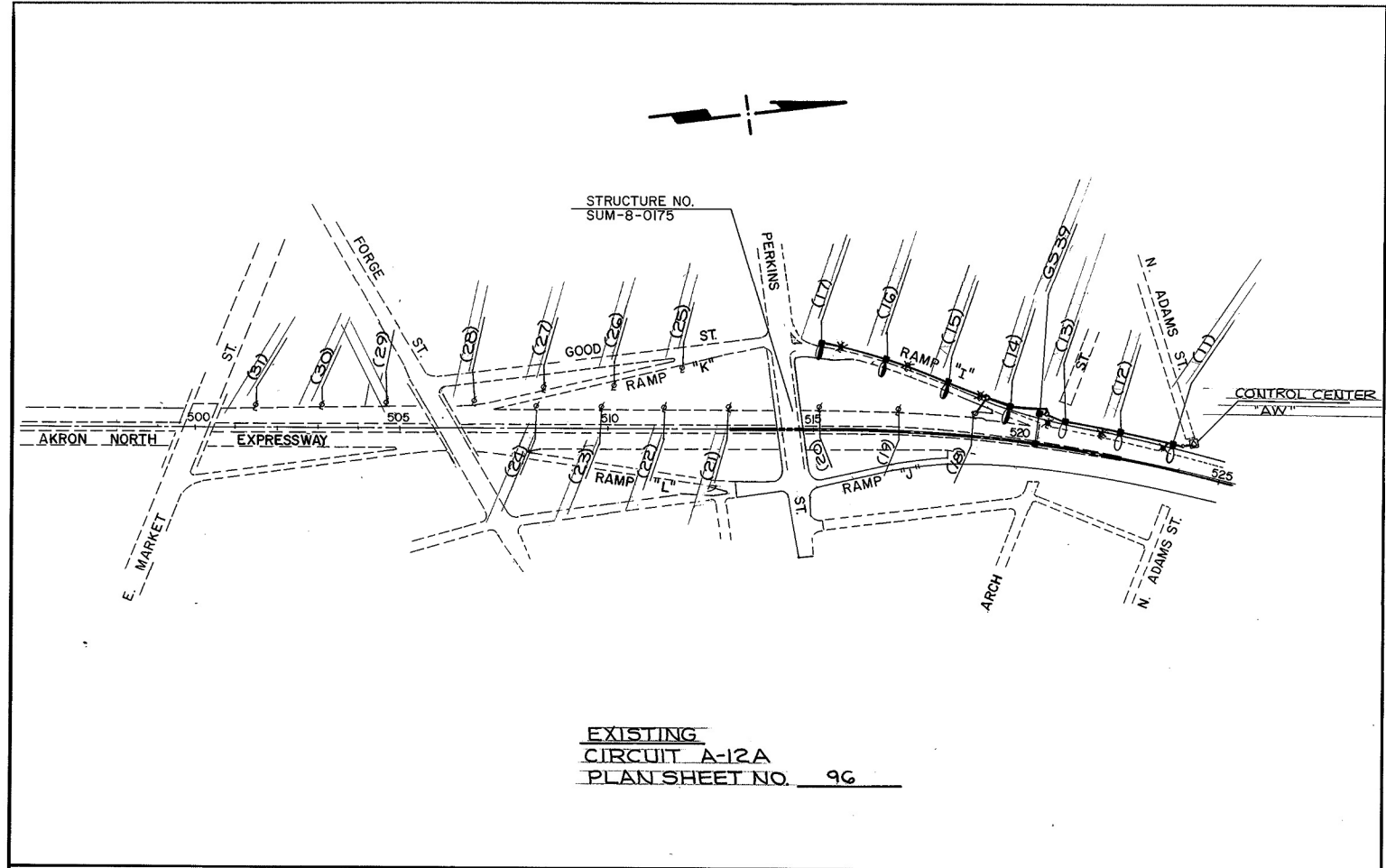


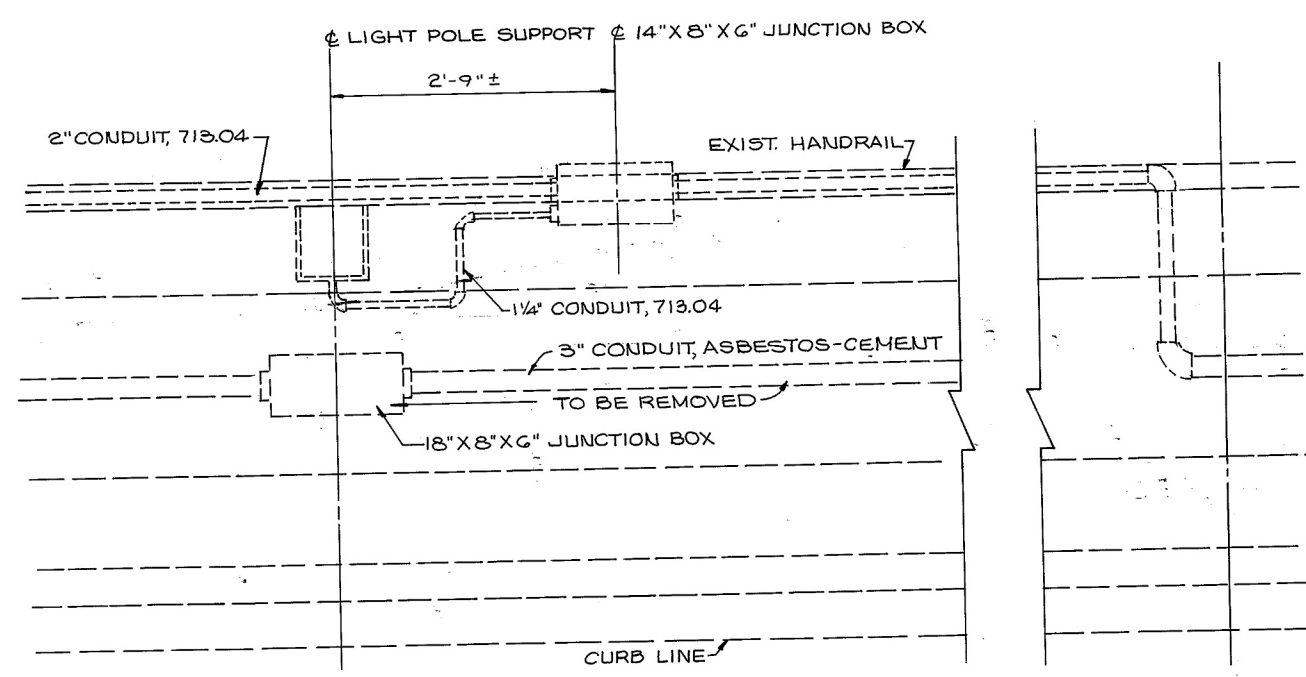
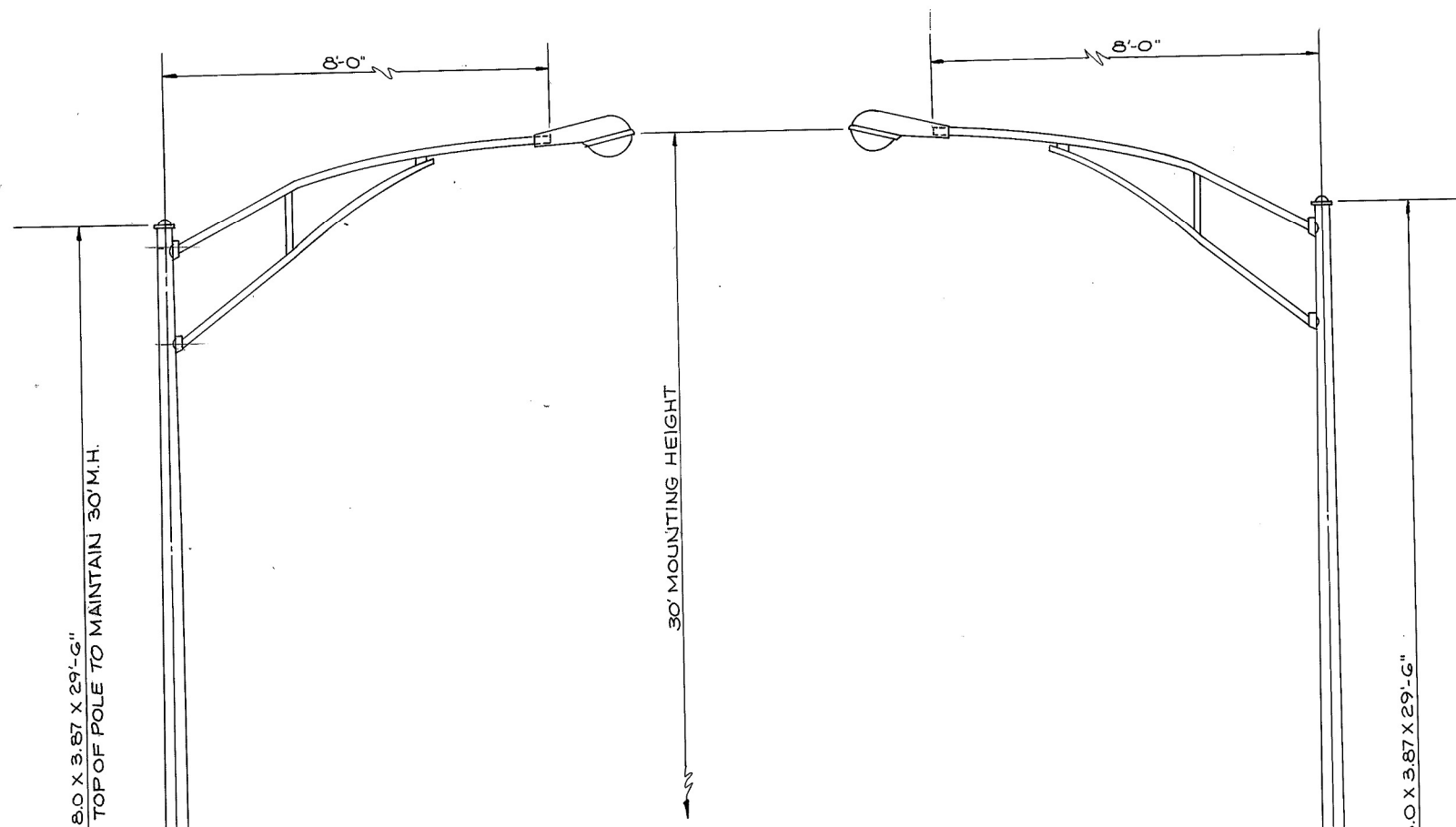


Note:  
Grounds or expansion joints shown  
are not to be considered complete in  
number or better than approximate  
in location.

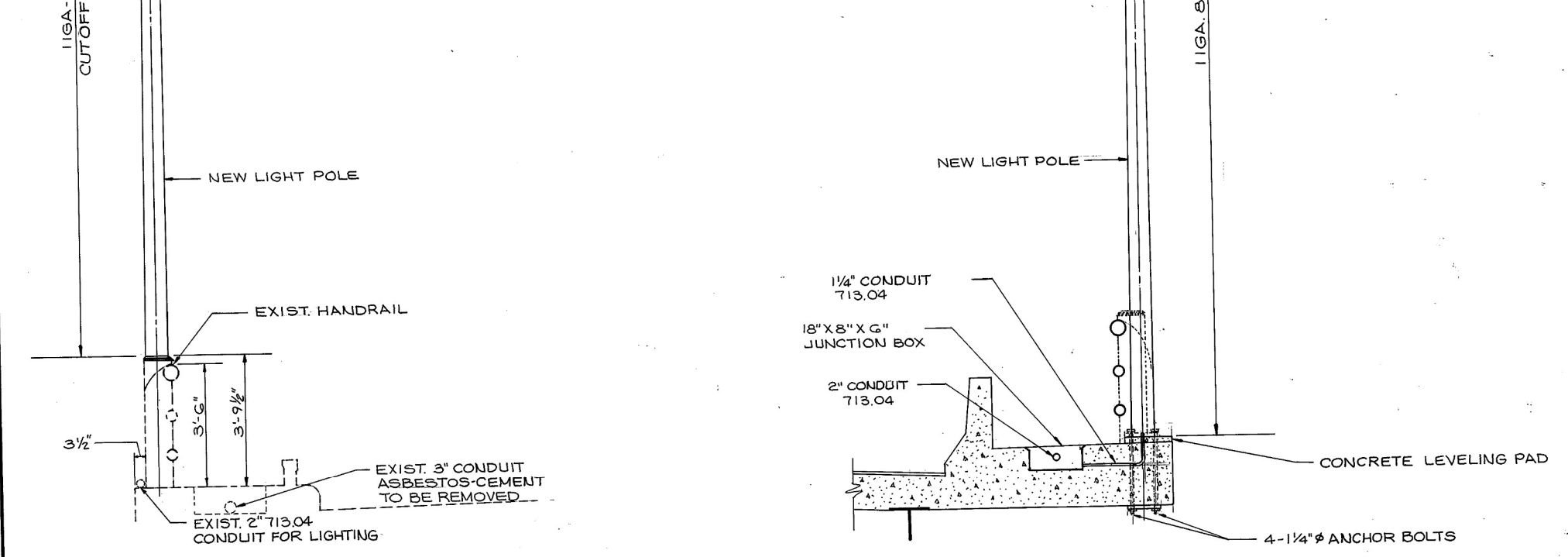


FOR LEGEND SEE SHEET NO. 96





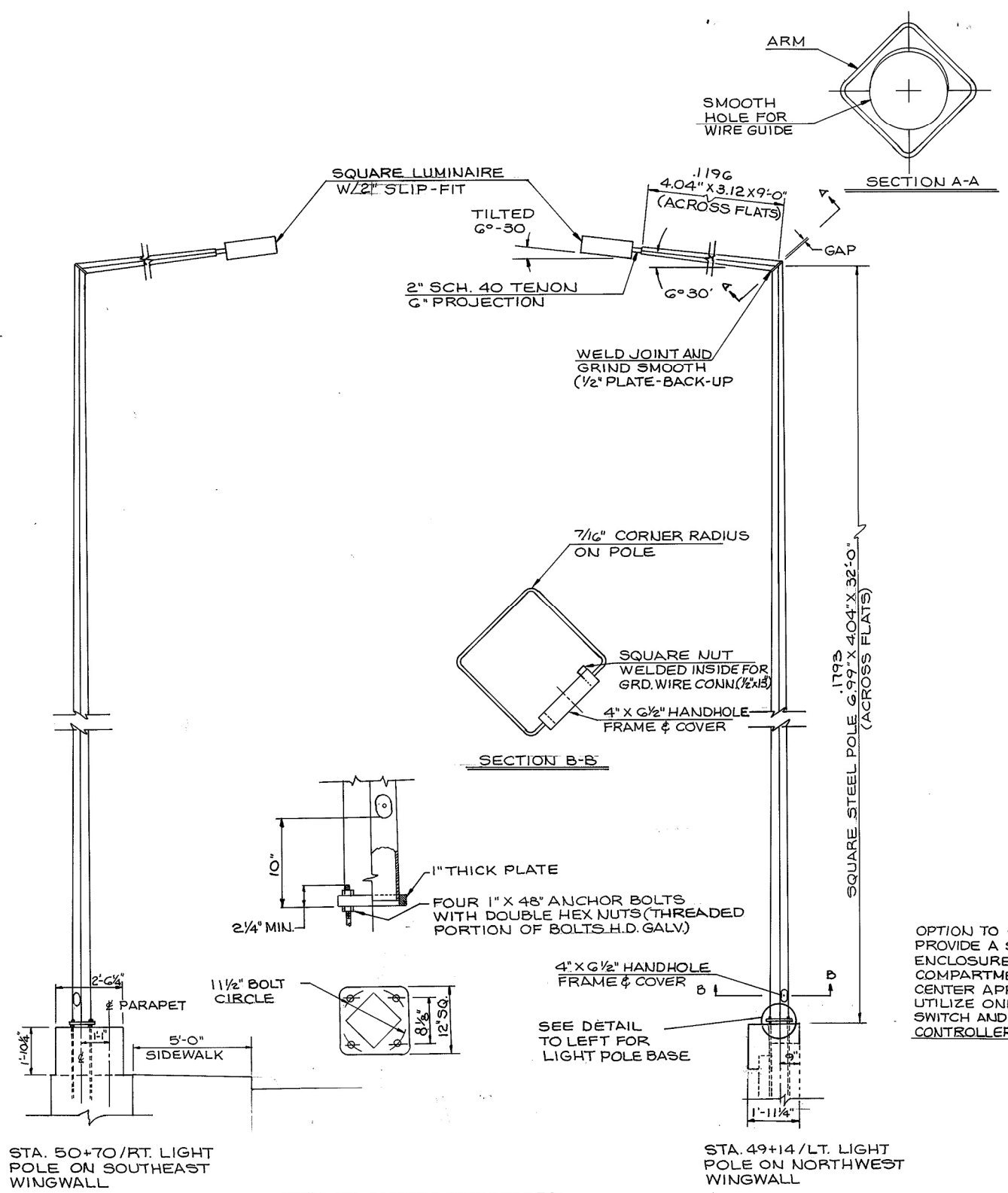
**EXISTING LIGHT POLE CONNECTION  
FOR STRUCTURE NO. SUM-8-0195**



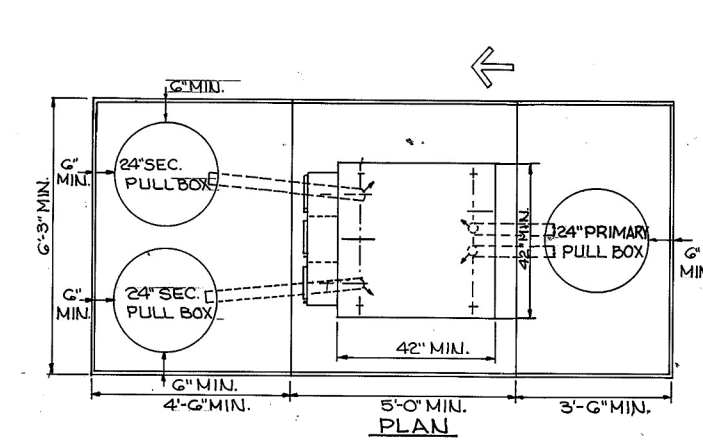
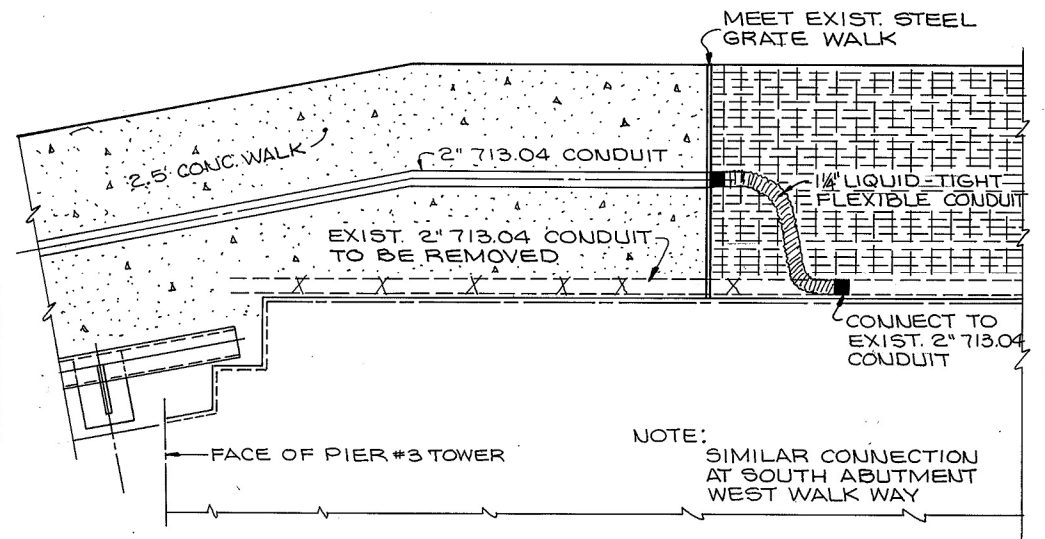
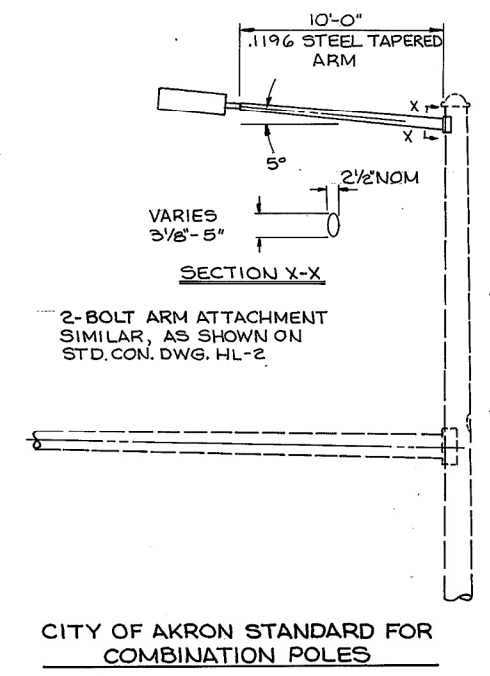
**SECTION THROUGH EXISTING  
SECTION THROUGH WIDENING  
LIGHT POLE SUPPORT DETAILS  
FOR STRUCTURE NO. SUM-8-0195**

LIGHT POLE DATA				
REFERENCE LETTER	DESIGN NUMBER	FOUNDATION ANCHOR BOLTS		TRANSFORMER BASE STYLE
		SIZE DIAMETER X LENGTH	BOLT CIRCLE DIAMETER	
A	A8B30	1" X 40"	11"	STRUCTURE MOUNTED-NONE
B	A9B 32.5	1 1/4" X 48"	11 1/2"	STRUCTURE MOUNTED-NONE
C	AT12B 41.7	1" X 40"	15"	AT-A

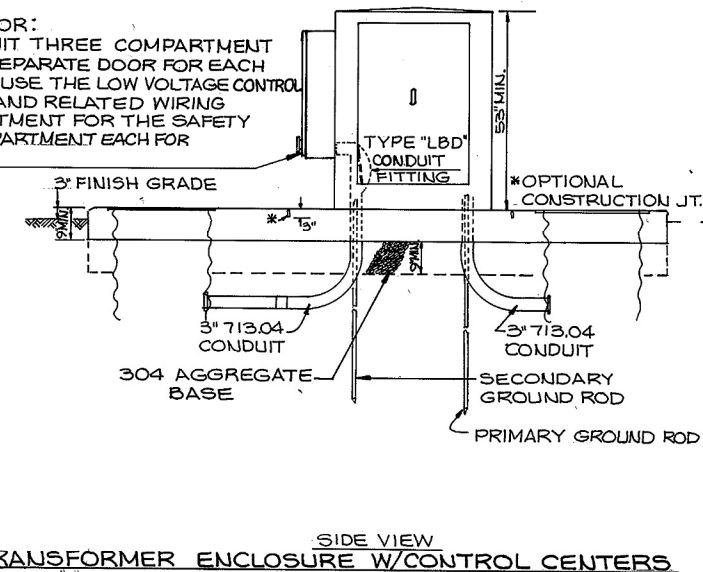
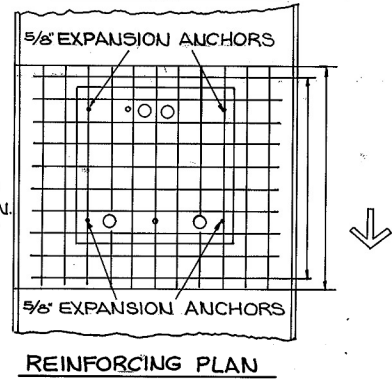
NOTE: FOR EXPLANATION OF DESIGN NUMBER SEE STD. CONST. DWG. HL. 8



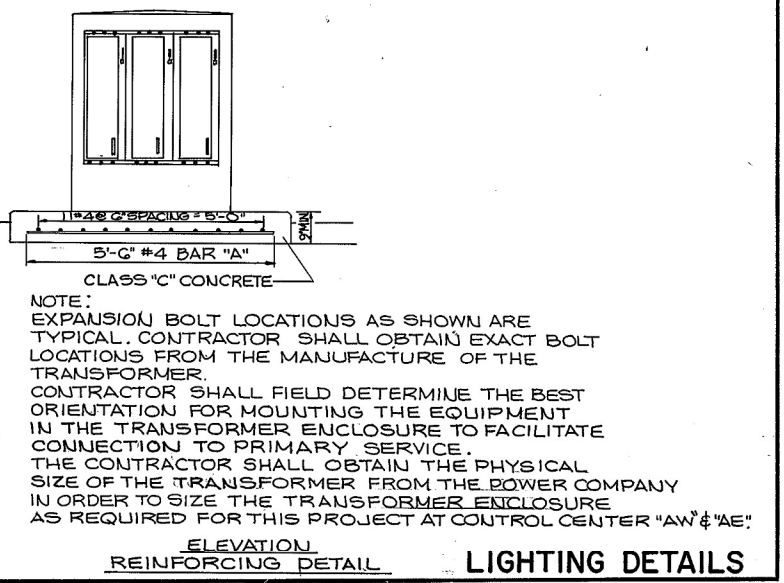
CITY OF AKRON STANDARD FOR LIGHT POLES FOR STRUCTURE SUM-8-0165



OPTION TO CONTRACTOR:  
 PROVIDE A SINGLE UNIT THREE COMPARTMENT ENCLOSURE WITH A SEPARATE DOOR FOR EACH COMPARTMENT TO HOUSE THE LOW VOLTAGE CONTROL CENTER APPARATUS AND RELATED WIRING UTILIZE ONE COMPARTMENT FOR THE SAFETY SWITCH AND ONE COMPARTMENT EACH FOR CONTROLLER.

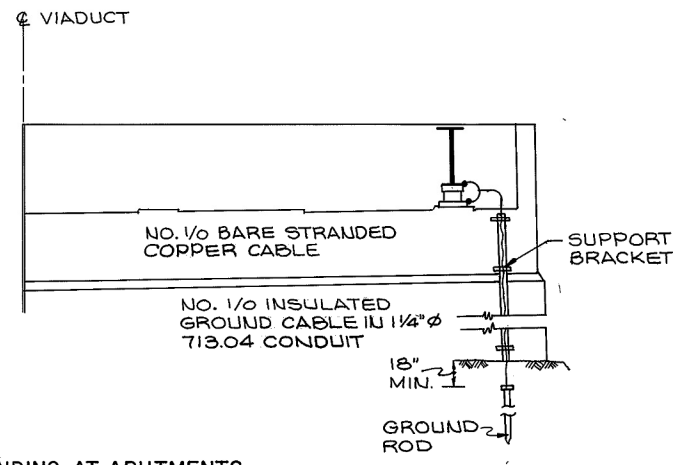


SIDE VIEW TRANSFORMER ENCLOSURE W/CONTROL CENTERS

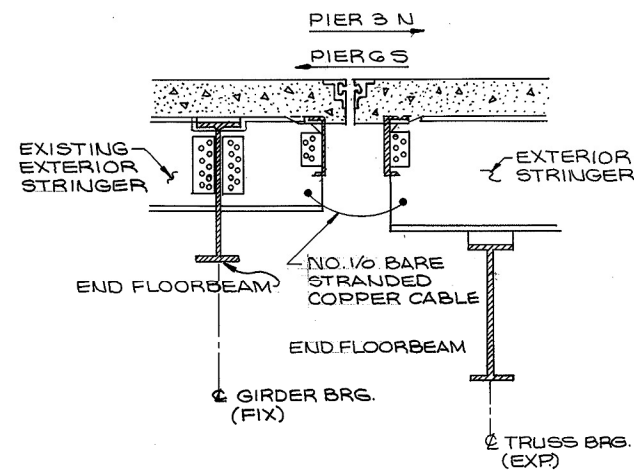


ELEVATION REINFORCING DETAIL LIGHTING DETAILS

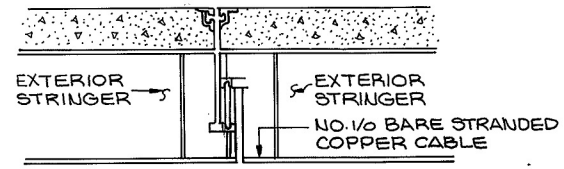




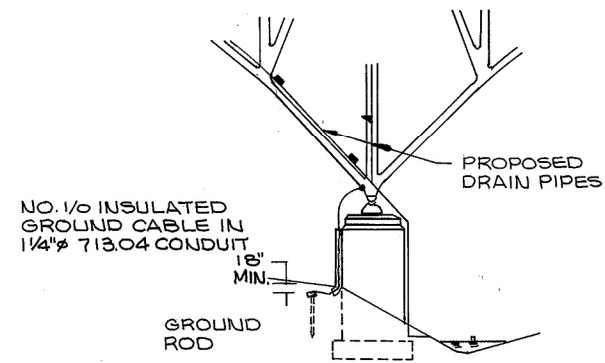
STRUCTURE GROUNDING AT ABUTMENTS (TYPICAL BOTH SIDES)



STRUCTURE GROUNDING AT PIERS 3 AND 6 EXPANSION JOINTS (TYPICAL-EAST & WEST SIDE)



STRUCTURE GROUNDING AT UNIT 2 CONTRACTION JOINTS (TYPICAL-EAST & WEST SIDE)



STRUCTURE GROUNDING AT PIER 4 (TYPICAL-EAST & WEST SIDE)

STRUCTURE NO. SUM-8-0195 GROUNDING DETAIL