

BARBIZON

LIGHTING COMPANY

Systems, Products, and Services
for Entertainment and Architecture

Barbizon Light of New England Lighting & Controls Package for:

SUM-8-1.75

Rt. 8 – Cuyahoga Valley Crossing

Barbizon Light of New England Order #: B190180

Barbizon Light of New England Systems Integrator: Carl Spaulding

PACKAGE CONTENTS:

- LC1 – NETWORK CONNECTIVITY RISER DIAGRAM
- LC2 – LIGHTING CONTROL ENCLOSURE LAYOUT
- LC3 – FIBER INTERFACE ENCLOSURE DETAIL
- LC4 – SW ABUTMENT CBX GROUP DETAIL
- LC5 – PIER 1 & 5 CBX GROUP DETAIL
- LC6 – PIER 2,3, & 4 CBX GROUP DETAIL
- LC7 – MONUMENT GROUP DETAIL

ANY QUESTIONS CONCERNING THIS SYSTEM SHOULD
BE DIRECTED TO THE SYSTEMS INTEGRATOR, WHO CAN
BE REACHED AT THE FOLLOWING NUMBERS:

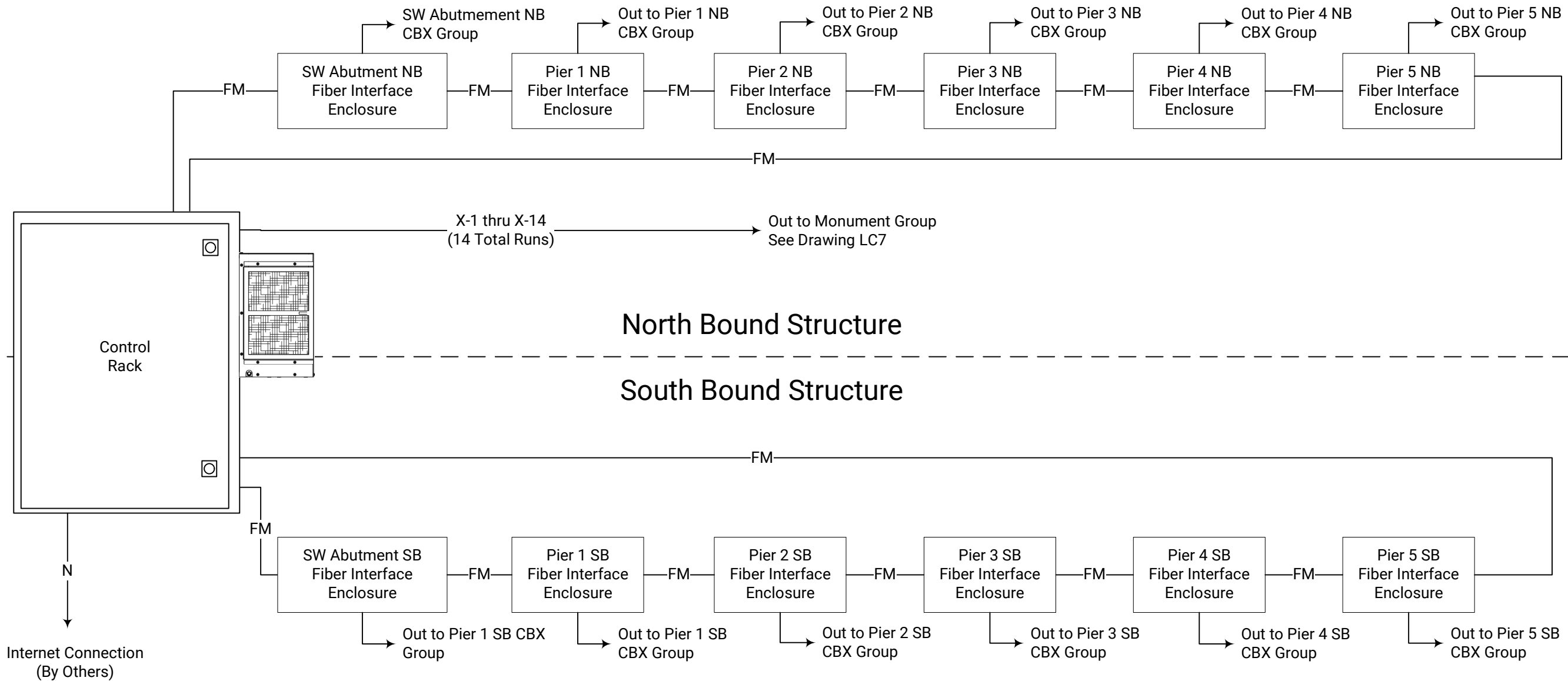
DIRECT: 781-428-4590

CELL: 339-224-4739

FAX: 781-935-9273

Notes:

1. See Sheet LC2 for Control Rack Details
2. See Sheet LC3 for Fiber Interface Details
3. See Sheet LC4 for SW Abutment CBX Group Details
4. See Sheet LC5 for Pier 1 & 5 CBX Group Details
5. See Sheet LC6 for Pier 2, 3, & 4 CBX Group Details
6. See Sheet LC7 for Monument Group Details



NOTE:
The data in this document incorporated the proprietary rights of Barbizon Lighting Company, Inc. Any party accepting this document does so in confidence, and agrees that it shall not be duplicated, in whole or in part, or disclosed to others without the written consent of Barbizon Lighting Company, Inc.

DRAWING RESTRICTIONS:
These drawings represent visual concepts and construction suggestions only. It is not the designer's responsibility to determine structural and/or electrical appropriateness of this design and the designer does not assume responsibility for improper engineering, constructions, handling or use of the represented equipment.

INDEX OF DRAWINGS

LC1	NETWORK CONNECTIVITY RISER DIAGRAM
LC2	LIGHTING CONTROL ENCLOSURE LAYOUT
LC3	FIBER INTERFACE ENCLOSURE DETAIL
LC4	SW ABUTMENT CBX GROUP DETAILS
LC5	PIER 1 & 5 CBX GROUP DETAILS
LC6	PIER 2, 3, & 4 CBX GROUP DETAILS
LC7	MONUMENT GROUP DETAIL
---	---
---	---
---	---
---	---
---	---
---	---
---	---
---	---

SUM-8-1.75 Bridge

Representative: ---
Project Manager: ---
Drawn By: Carl Spaulding
Job Number: B190180

REV.	DESCRIPTION	DATE
A	100% CD SET	10/07/2022
---	---	---
---	---	---
---	---	---
---	---	---
---	---	---
---	---	---
---	---	---
---	---	---

NETWORK CONNECTIVITY RISER DIAGRAM

Date: 10/07/2022
Scale: AS NOTED

General Notes:

- All circuits must be 2-wire + ground. **No common neutrals allowed.**
- Total combined length of Unison Wiring runs cannot exceed 1640 feet (500 meters).
- All Net runs shall be continuous, unspliced run less than 300 feet (90 meters).
- All network connections to be IEEE T568B.

Wire Designations											
D*	(1) Belden 9729	DMX IN	FM	(1) Belden FD3D006R9 OM3, 6 Fiber	Multimode Fiber	N*	(1) Belden 1583A	NETWORK CAT5E	EM*	(2) #16 AWG	Emergency Lighting Triggers
X*	(1) Belden 9729	DMX OUT	FS	(1) Belden FDSD006R9 OS2, 6 Fiber	Single-mode Fiber	NG*	(1) Belden 1583A (1) #14 AWG	NETWORK W/ GROUND	LV*	(2) #16 AWG	Low Voltage

Wire Designation Format: ZZ## "ZZ" = Wire Type "##" = Wire Run Designation (Ex. "X-1" = DMX Output #1 [use Belden 9729], "N-3" = Network #3 [use Belden 1583A])

NOTE:
The data in this document incorporated the proprietary rights of Barbizon Lighting Company, Inc. Any party accepting this document does so in confidence, and agrees that it shall not be duplicated, in whole or in part, or disclosed to others without the written consent of Barbizon Lighting Company, Inc.

DRAWING RESTRICTIONS:
These drawings represent visual concepts and construction suggestions only. It is not the designer's responsibility to determine structural and/or electrical appropriateness of this design and the designer does not assume responsibility for improper engineering, constructions, handling or use of the represented equipment.

INDEX OF DRAWINGS

LC1	NETWORK CONNECTIVITY RISER DIAGRAM
LC2	LIGHTING CONTROL ENCLOSURE LAYOUT
LC3	FIBER INTERFACE ENCLOSURE DETAIL
LC4	SW ABUTMENT CBX GROUP DETAILS
LC5	PIER 1 & 5 CBX GROUP DETAILS
LC6	PIER 2, 3, & 4 CBX GROUP DETAILS
LC7	MONUMENT GROUP DETAIL

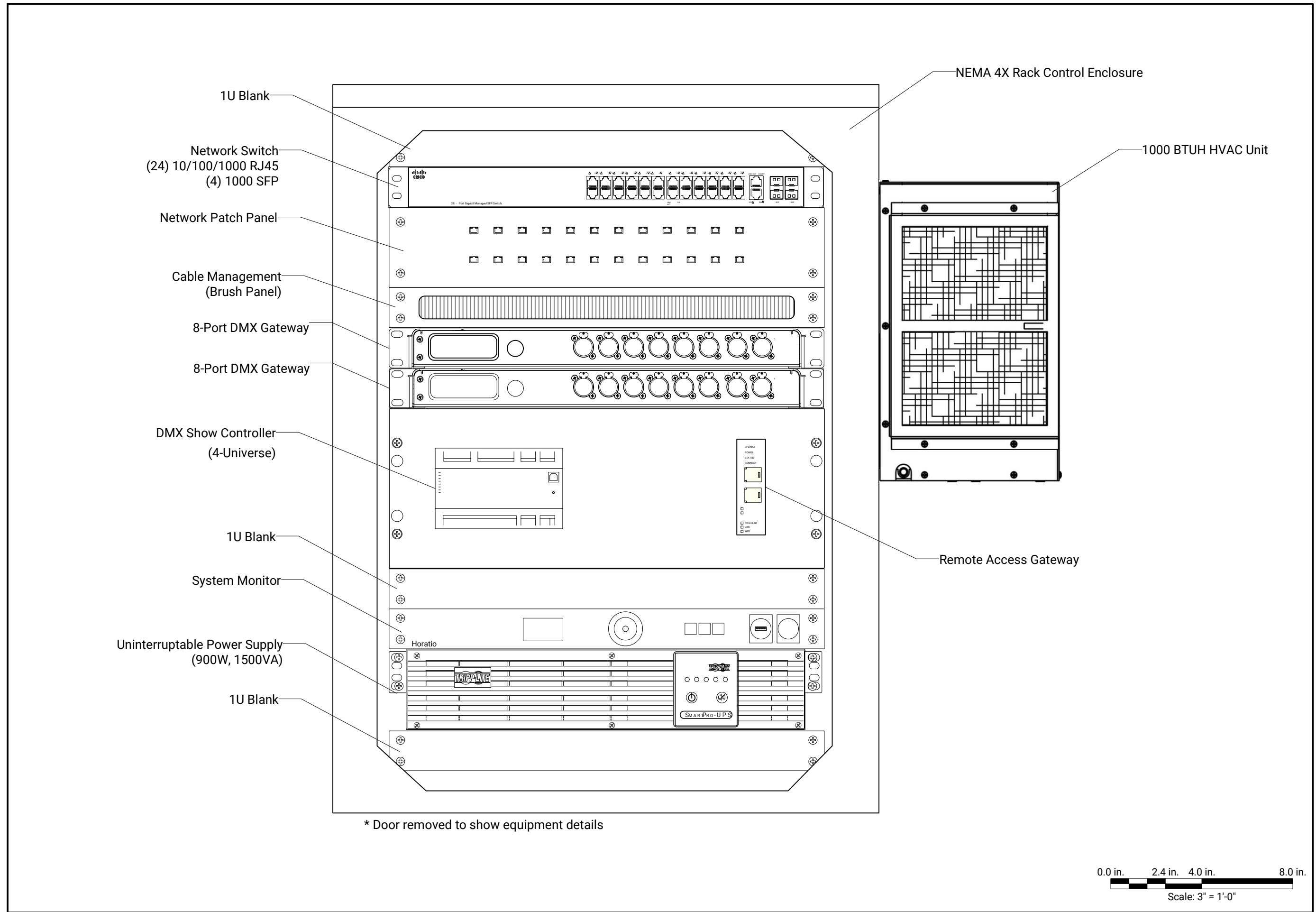
SUM-8-1.75 Bridge

Representative: ---
Project Manager: ---
Drawn By: Carl Spaulding
Job Number: B190180

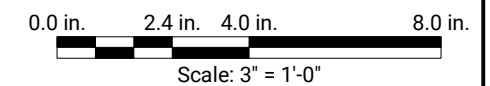
REV.	DESCRIPTION	DATE
A	100% CD SET	10/07/2022
---	---	---
---	---	---
---	---	---
---	---	---
---	---	---
---	---	---

**LIGHTING CONTROL
ENCLOSURE LAYOUT**

Date: 10/07/2022
Scale: AS NOTED

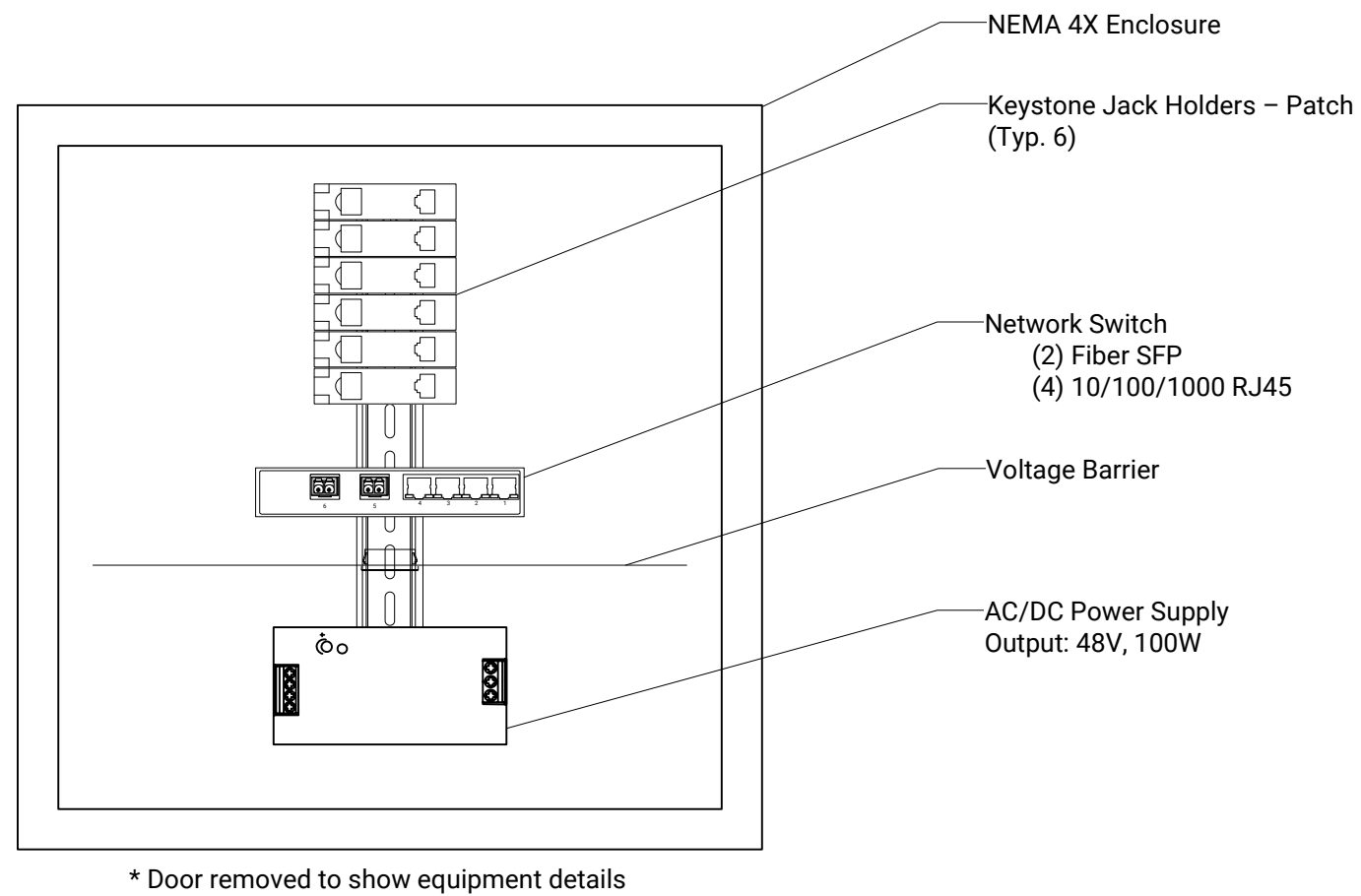


* Door removed to show equipment details



Notes:

1. All equipment to be rated for -20° to +70°C (-40° to 158°F)
2. Network Switch to be vibration rated IEC60068-2-27
3. Enclosure placement to be out of direct sunlight
4. Total of (12) – See sheet LC1



NOTE:
The data in this document incorporated the proprietary rights of Barbizon Lighting Company, Inc. Any party accepting this document does so in confidence, and agrees that it shall not be duplicated, in whole or in part, or disclosed to others without the written consent of Barbizon Lighting Company, Inc.

DRAWING RESTRICTIONS:
These drawings represent visual concepts and construction suggestions only. It is not the designer's responsibility to determine structural and/or electrical appropriateness of this design and the designer does not assume responsibility for improper engineering, constructions, handling or use of the represented equipment.

INDEX OF DRAWINGS

LC1	NETWORK CONNECTIVITY RISER DIAGRAM
LC2	LIGHTING CONTROL ENCLOSURE LAYOUT
LC3	FIBER INTERFACE ENCLOSURE DETAIL
LC4	SW ABUTMENT CBX GROUP DETAILS
LC5	PIER 1 & 5 CBX GROUP DETAILS
LC6	PIER 2, 3, & 4 CBX GROUP DETAILS
LC7	MONUMENT GROUP DETAIL
---	---
---	---
---	---
---	---
---	---
---	---

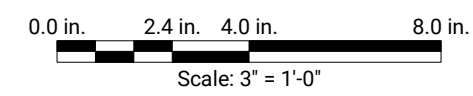
SUM-8-1.75 Bridge

Representative: ---
Project Manager: ---
Drawn By: Carl Spaulding
Job Number: B190180

REV.	DESCRIPTION	DATE
A	100% CD SET	10/07/2022
---	---	---
---	---	---
---	---	---
---	---	---
---	---	---
---	---	---
---	---	---

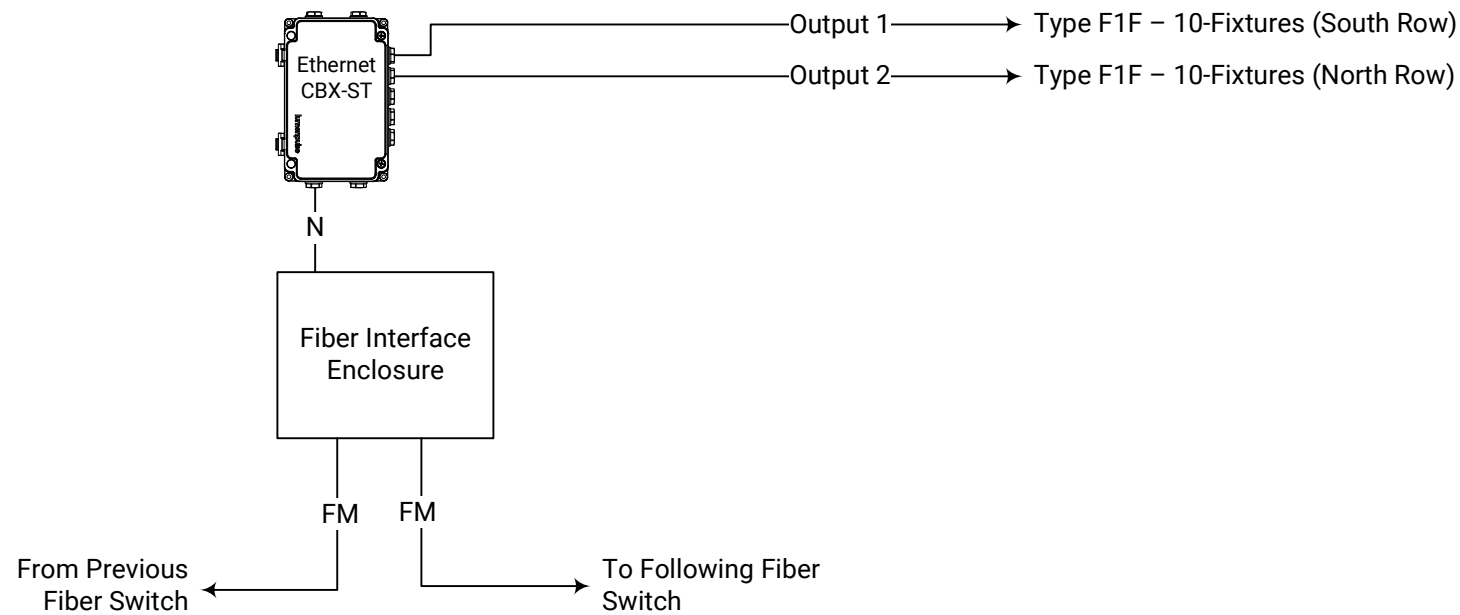
**FIBER INTERFACE
ENCLOSURE DETAIL**

Date: 10/07/2022
Scale: AS NOTED



Notes:

1. See Sheet LC3 for Fiber Interface Details
2. North Bound and South Abutments Similar
3. Total of (2) – See Sheet LC1
 - SW Abutment NB
 - SW Abutment SB



NOTE:
The data in this document incorporated the proprietary rights of Barbizon Lighting Company, Inc. Any party accepting this document does so in confidence, and agrees that it shall not be duplicated, in whole or in part, or disclosed to others without the written consent of Barbizon Lighting Company, Inc.

DRAWING RESTRICTIONS:
These drawings represent visual concepts and construction suggestions only. It is not the designer's responsibility to determine structural and/or electrical appropriateness of this design and the designer does not assume responsibility for improper engineering, constructions, handling or use of the represented equipment.

INDEX OF DRAWINGS

LC1	NETWORK CONNECTIVITY RISER DIAGRAM
LC2	LIGHTING CONTROL ENCLOSURE LAYOUT
LC3	FIBER INTERFACE ENCLOSURE DETAIL
LC4	SW ABUTMENT CBX GROUP DETAILS
LC5	PIER 1 & 5 CBX GROUP DETAILS
LC6	PIER 2, 3, & 4 CBX GROUP DETAILS
LC7	MONUMENT GROUP DETAIL
---	---
---	---
---	---
---	---
---	---
---	---
---	---

SUM-8-1.75 Bridge

Representative: ---
Project Manager: ---
Drawn By: Carl Spaulding
Job Number: B190180

REV.	DESCRIPTION	DATE
A	100% CD SET	10/07/2022
---	---	---
---	---	---
---	---	---
---	---	---
---	---	---
---	---	---
---	---	---
---	---	---

**SW ABUTMENT
CBX GROUP DETAILS**

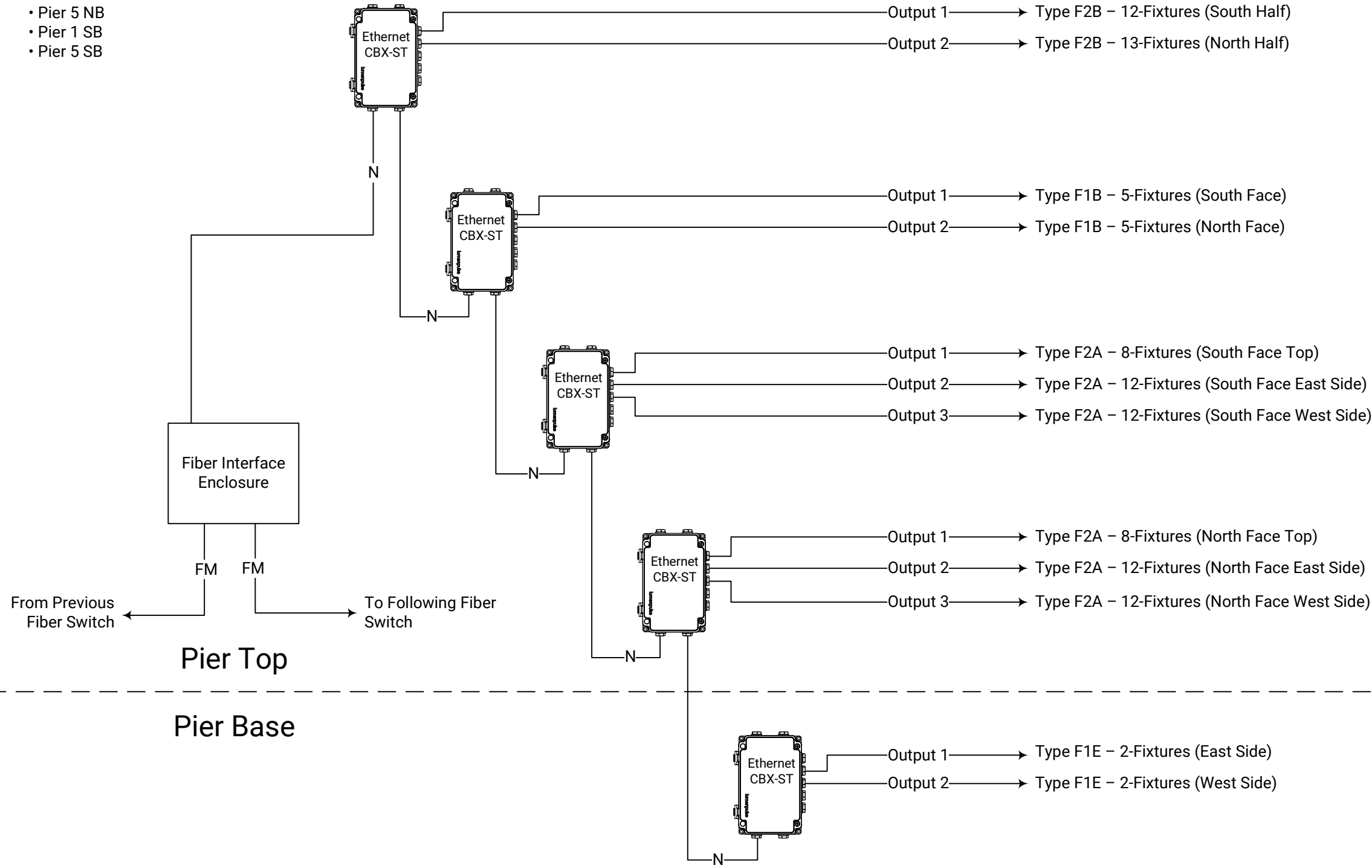
Date: 10/07/2022
Scale: AS NOTED

General Notes:
<ul style="list-style-type: none"> • All circuits must be 2-wire + ground. No common neutrals allowed. • Total combined length of Unison Wiring runs cannot exceed 1640 feet (500 meters). • All Net runs shall be continuous, unspliced run less than 300 feet (90 meters). • All network connections to be IEEE T568B.

Wire Designations											
D*	(1) Belden 9729	DMX IN	FM	(1) Belden FD3D006R9 OM3, 6 Fiber	Multimode Fiber	N*	(1) Belden 1583A	NETWORK CAT5E	EM*	(2) #16 AWG	Emergency Lighting Triggers
X*	(1) Belden 9729	DMX OUT	FS	(1) Belden FDSD006R9 OS2, 6 Fiber	Single-mode Fiber	NG*	(1) Belden 1583A (1) #14 AWG	NETWORK W/ GROUND	LV*	(2) #16 AWG	Low Voltage
Wire Designation Format: ZZ-## "ZZ" = Wire Type "##" = Wire Run Designation (Ex. "X-1" = DMX Output #1 [use Belden 9729], "N-3" = Network #3 [use Belden 1583A])											

Notes:

1. See Sheet LC3 for Fiber Interface Details
2. North Bound and South Bound Piers Similar
3. Total of (4) – See Sheet LC1
 - Pier 1 NB
 - Pier 5 NB
 - Pier 1 SB
 - Pier 5 SB



NOTE:
The data in this document incorporated the proprietary rights of Barbizon Lighting Company, Inc. Any party accepting this document does so in confidence, and agrees that it shall not be duplicated, in whole or in part, or disclosed to others without the written consent of Barbizon Lighting Company, Inc.

DRAWING RESTRICTIONS:
These drawings represent visual concepts and construction suggestions only. It is not the designer's responsibility to determine structural and/or electrical appropriateness of this design and the designer does not assume responsibility for improper engineering, constructions, handling or use of the represented equipment.

INDEX OF DRAWINGS

LC1	NETWORK CONNECTIVITY RISER DIAGRAM
LC2	LIGHTING CONTROL ENCLOSURE LAYOUT
LC3	FIBER INTERFACE ENCLOSURE DETAIL
LC4	SW ABUTMENT CBX GROUP DETAILS
LC5	PIER 1 & 5 CBX GROUP DETAILS
LC6	PIER 2, 3, & 4 CBX GROUP DETAILS
LC7	MONUMENT GROUP DETAIL
---	---
---	---
---	---
---	---
---	---
---	---
---	---

SUM-8-1.75 Bridge

Representative: ---
Project Manager: ---
Drawn By: Carl Spaulding
Job Number: B190180

REV.	DESCRIPTION	DATE
A	100% CD SET	10/07/2022
---	---	---
---	---	---
---	---	---
---	---	---
---	---	---
---	---	---
---	---	---
---	---	---

**PIER 1 & 5
CBX GROUP DETAILS**

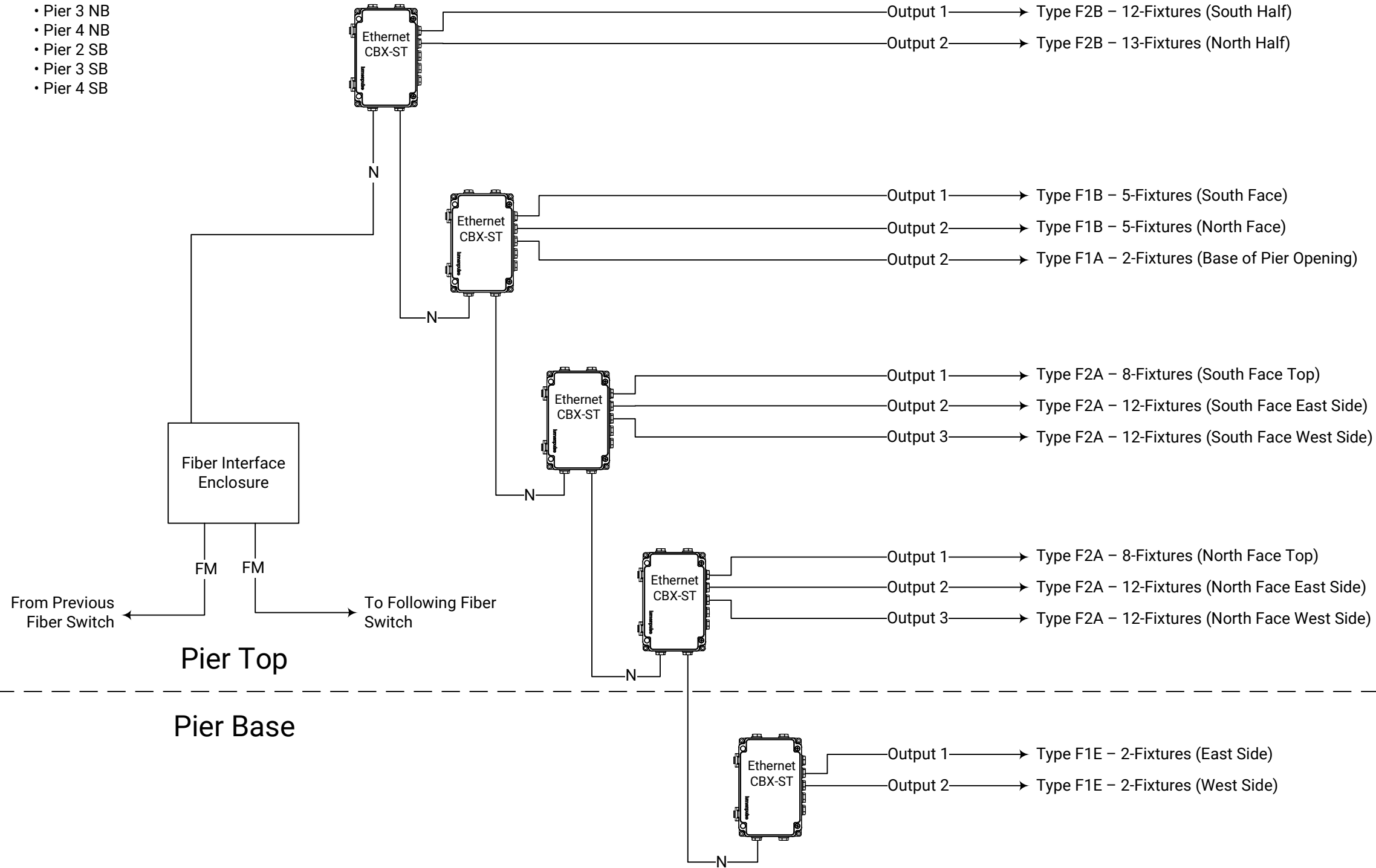
Date: 10/07/2022
Scale: AS NOTED

General Notes:	
•	All circuits must be 2-wire + ground. No common neutrals allowed.
•	Total combined length of Unison Wiring runs cannot exceed 1640 feet (500 meters).
•	All Net runs shall be continuous, unspliced run less than 300 feet (90 meters).
•	All network connections to be IEEE T568B.

Wire Designations											
D*	(1) Belden 9729	DMX IN	FM	(1) Belden FD3D006R9 OM3, 6 Fiber	Multimode Fiber	N*	(1) Belden 1583A	NETWORK CAT5E	EM*	(2) #16 AWG	Emergency Lighting Triggers
X*	(1) Belden 9729	DMX OUT	FS	(1) Belden FDSD006R9 OS2, 6 Fiber	Single-mode Fiber	NG*	(1) Belden 1583A (1) #14 AWG	NETWORK W/ GROUND	LV*	(2) #16 AWG	Low Voltage
Wire Designation Format: ZZ## "ZZ" = Wire Type "##" = Wire Run Designation (Ex. "X-1" = DMX Output #1 [use Belden 9729], "N-3" = Network #3 [use Belden 1583A])											

Notes:

1. See Sheet LC3 for Fiber Interface Details
2. North Bound and South Bound Piers Similar
3. Total of (6) – See Sheet LC1
 - Pier 2 NB
 - Pier 3 NB
 - Pier 4 NB
 - Pier 2 SB
 - Pier 3 SB
 - Pier 4 SB



NOTE:
The data in this document incorporated the proprietary rights of Barbizon Lighting Company, Inc. Any party accepting this document does so in confidence, and agrees that it shall not be duplicated, in whole or in part, or disclosed to others without the written consent of Barbizon Lighting Company, Inc.

DRAWING RESTRICTIONS:
These drawings represent visual concepts and construction suggestions only. It is not the designer's responsibility to determine structural and/or electrical appropriateness of this design and the designer does not assume responsibility for improper engineering, constructions, handling or use of the represented equipment.

INDEX OF DRAWINGS

LC1	NETWORK CONNECTIVITY RISER DIAGRAM
LC2	LIGHTING CONTROL ENCLOSURE LAYOUT
LC3	FIBER INTERFACE ENCLOSURE DETAIL
LC4	SW ABUTMENT CBX GROUP DETAILS
LC5	PIER 1 & 5 CBX GROUP DETAILS
LC6	PIER 2, 3, & 4 CBX GROUP DETAILS
LC7	MONUMENT GROUP DETAIL
---	---
---	---
---	---
---	---
---	---
---	---
---	---
---	---

SUM-8-1.75 Bridge

Representative: ---
Project Manager: ---
Drawn By: Carl Spaulding
Job Number: B190180

REV.	DESCRIPTION	DATE
A	100% CD SET	10/07/2022
---	---	---
---	---	---
---	---	---
---	---	---
---	---	---
---	---	---
---	---	---
---	---	---

**PIER 2, 3, & 4
CBX GROUP DETAILS**

Date: 10/07/2022
Scale: AS NOTED

General Notes:

- All circuits must be 2-wire + ground. **No common neutrals allowed.**
- Total combined length of Unison Wiring runs cannot exceed 1640 feet (500 meters).
- All Net runs shall be continuous, unspliced run less than 300 feet (90 meters).
- All network connections to be IEEE T568B.

Wire Designations											
D*	(1) Belden 9729	DMX IN	FM	(1) Belden FD3D006R9 OM3, 6 Fiber	Multimode Fiber	N*	(1) Belden 1583A	NETWORK CAT5E	EM*	(2) #16 AWG	Emergency Lighting Triggers
X*	(1) Belden 9729	DMX OUT	FS	(1) Belden FDSD006R9 OS2, 6 Fiber	Single-mode Fiber	NG*	(1) Belden 1583A (1) #14 AWG	NETWORK W/ GROUND	LV*	(2) #16 AWG	Low Voltage

Wire Designation Format: ZZ## "ZZ" = Wire Type "##" = Wire Run Designation (Ex. "X-1" = DMX Output #1 [use Belden 9729], "N-3" = Network #3 [use Belden 1583A])

NOTE:
The data in this document incorporated the proprietary rights of Barbizon Lighting Company, Inc. Any party accepting this document does so in confidence, and agrees that it shall not be duplicated, in whole or in part, or disclosed to others without the written consent of Barbizon Lighting Company, Inc.

DRAWING RESTRICTIONS:
These drawings represent visual concepts and construction suggestions only. It is not the designer's responsibility to determine structural and/or electrical appropriateness of this design and the designer does not assume responsibility for improper engineering, constructions, handling or use of the represented equipment.

INDEX OF DRAWINGS

LC1	NETWORK CONNECTIVITY RISER DIAGRAM
LC2	LIGHTING CONTROL ENCLOSURE LAYOUT
LC3	FIBER INTERFACE ENCLOSURE DETAIL
LC4	SW ABUTMENT CBX GROUP DETAILS
LC5	PIER 1 & 5 CBX GROUP DETAILS
LC6	PIER 2, 3, & 4 CBX GROUP DETAILS
LC7	MONUMENT GROUP DETAIL
---	---
---	---
---	---
---	---
---	---
---	---
---	---

SUM-8-1.75 Bridge

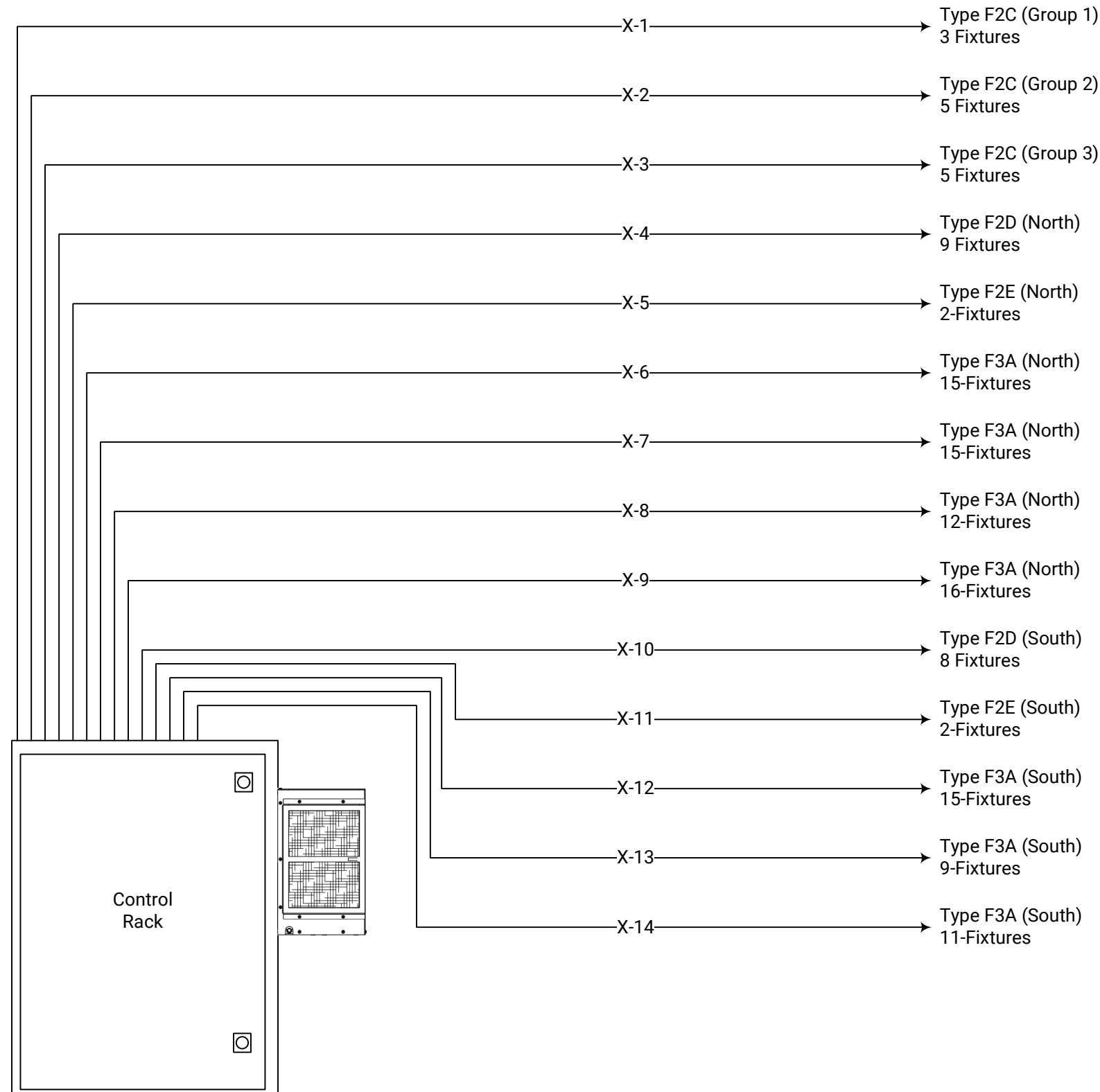
Representative: ---
Project Manager: ---
Drawn By: Carl Spaulding
Job Number: B190180

REV.	DESCRIPTION	DATE
A	100% CD SET	10/07/2022
---	---	---
---	---	---
---	---	---
---	---	---
---	---	---
---	---	---
---	---	---
---	---	---

**MONUMENT GROUP
DETAIL**

Date: 10/07/2022
Scale: AS NOTED

Notes:
1. See Sheet LC2 for Control Rack Details
2. See Sheet LT9 for Fixture Layout



General Notes:

- All circuits must be 2-wire + ground. **No common neutrals allowed.**
- Total combined length of Unison Wiring runs cannot exceed 1640 feet (500 meters).
- All Net runs shall be continuous, unspliced run less than 300 feet (90 meters).
- All network connections to be IEEE T568B.

Wire Designations

D*	(1) Belden 9729	DMX IN	FM	(1) Belden FD3D006R9 OM3, 6 Fiber	Multimode Fiber	N*	(1) Belden 1583A	NETWORK CAT5E	EM*	(2) #16 AWG	Emergency Lighting Triggers
X*	(1) Belden 9729	DMX OUT	FS	(1) Belden FDSD006R9 OS2, 6 Fiber	Single-mode Fiber	NG*	(1) Belden 1583A (1) #14 AWG	NETWORK W/ GROUND	LV*	(2) #16 AWG	Low Voltage

Wire Designation Format: ZZ## "ZZ" = Wire Type "##" = Wire Run Designation (Ex. "X-1" = DMX Output #1 [use Belden 9729], "N-3" = Network #3 [use Belden 1583A])