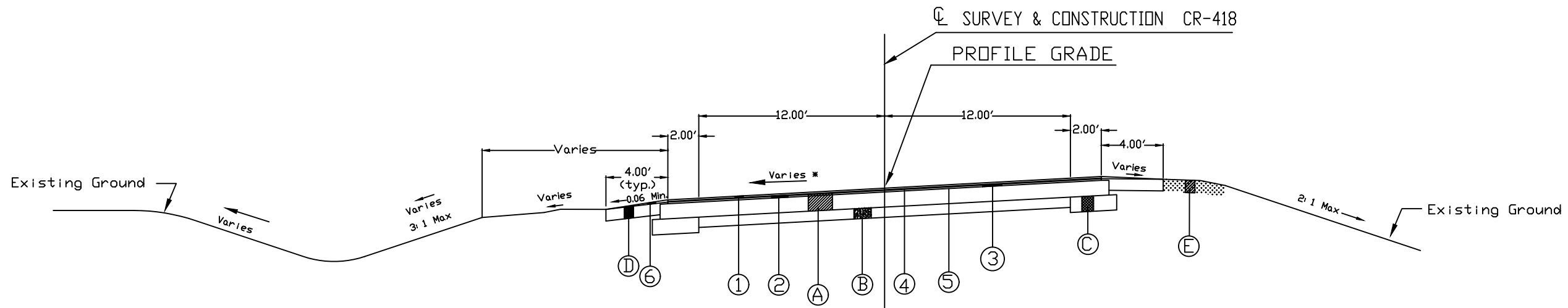


- EXISTING LEGEND
- (A) 9" to 12" Asphaltic Concrete
 - (B) 7" to 9" Concrete
 - (C) 12" to 14" Compacted Aggregate
 - (D) 8" to 10" Aggregate Shoulder
 - (E) 6" to 8" Dirt and Stone Shoulder

NORMAL SECTION 1 APPLIES

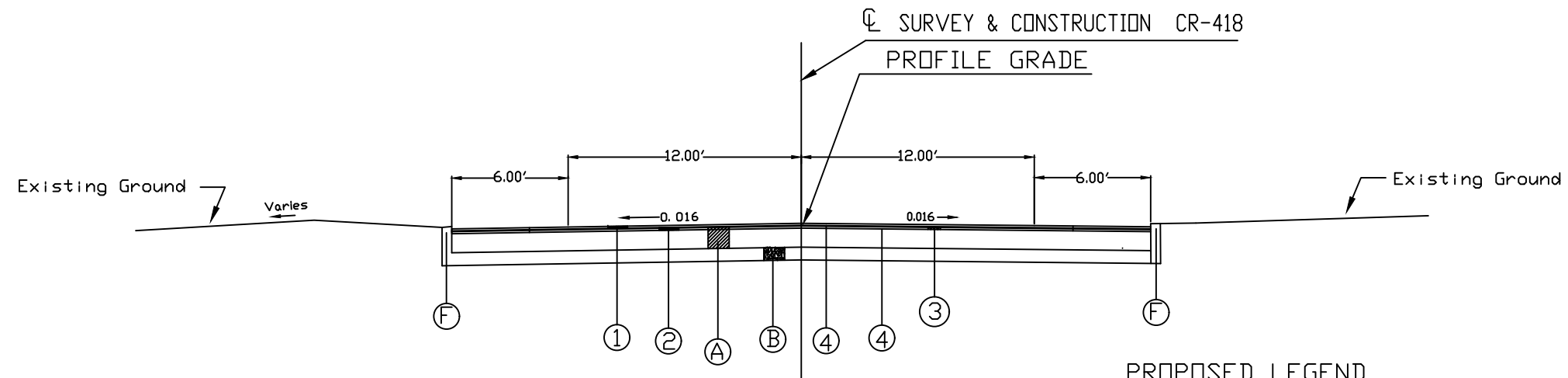
STA. 808+31.40 to STA. 820+55.76	= 1224.36'
STA. 837+29.76 to STA. 865+19.37	= 2789.61'
STA. 876+34.04 to STA. 905+13.02	= 2878.98'
STA. 919+67.19 to STA. 945+00.00	= 2532.87'
STA. 905+00.00 to STA. 946+37.26	= 137.26'
STA. 961+97.26 to STA. 969+85.26	= 788.00'
STA. 981+35.26 to STA. 989+24.99	= 789.73'
STA. 1003+94.99 to STA. 1065+00.00	= 6105.01'
STA. 1065+00.00 to STA. 1068+66.51	= 366.51'
STA. 1095+45.40 to STA. 1108+01.27	= 1255.87'
STA. 1123+66.52 to STA. 1135+54.84	= 1188.32'
TOTAL	= 20,036.52'

- PROPOSED LEGEND
- (1) ITEM 441 1 1/4" ASPHALT CONCRETE SURFACE COURSE TYPE 1, (448) PG64-22
 - (2) ITEM 441 1 3/4" ASPHALT CONCRETE INTERMEDIATE TYPE 2, (448)
 - (3) ITEM 254 1 1/4" PAVEMENT PLANING, ASPHALT CONCRETE
 - (4) ITEM 407 NON-TRACKING TACK COAT (SEE GENERAL NOTES)
 - (5) ITEM 407 NON-TRACKING TACK COAT (SEE GENERAL NOTES)
 - (6) ITEM 617 COMPACTED AGGREGATE, AS PER PLAN



SUPER ELEVATED SECTION 2 APPLIES

Curve 10 = STA. 820+55.76 to STA. 837+29.76	= 1674.00'
Curve 11 = STA. 865+19.37 to STA. 876+34.04	= 1114.67'
Curve 13 = STA. 905+13.02 to STA. 919+67.19	= 1454.17'
Curve 14 = STA. 946+37.26 to STA. 961+97.26	= 1560.00'
Curve 15 = STA. 969+85.26 to STA. 981+35.26	= 1150.00'
Curve 16 = STA. 989+24.99 to STA. 1003+94.99	= 1470.00'
Curve 17 = STA. 1068+66.51 to STA. 1095+45.40	= 2678.89'
Curve 18 = STA. 1108+01.27 to STA. 1123+66.52	= 1565.25'
Curve 19 = STA. 1135+54.84 to STA. 1170+00.00	= 3445.16'
TOTAL	= 16,112.14'



EXISTING LEGEND

- (A) 9" to 12" Asphaltic Concrete
- (B) 7" to 9" Concrete
- (C) 12" to 14" Compacted Aggregate
- (D) 8" to 10" Aggregate Shoulder
- (E) 6" to 8" Dirt and Stone Shoulder
- (F) Concrete Curb

NORMAL SECTION 3 APPLIES

STA. 788+81.55 to STA. 808+31.40 = 1949.85'

PROPOSED LEGEND

- (1) ITEM 441 1 1/4" ASPHALT CONCRETE SURFACE COURSE TYPE 1, (448) PG64-22
- (2) ITEM 441 1 3/4" ASPHALT CONCRETE INTERMEDIATE TYPE 2, (448)
- (3) ITEM 254 1 1/4" PAVEMENT PLANING, ASPHALT CONCRETE
- (4) ITEM 407 NON-TRACKING TACK COAT (SEE GENERAL NOTES)

ODOT Bridge Sta. 917+51.89

VAN-30-1615

over US Route 30

Type: 2 Span, Steel Beam Contin.

Span: 2 @ 110' & 117' = 227'

Roadway: 40.0' F. to F. Guardrail

Loading: HS-20+Mod.

Skew: 31°

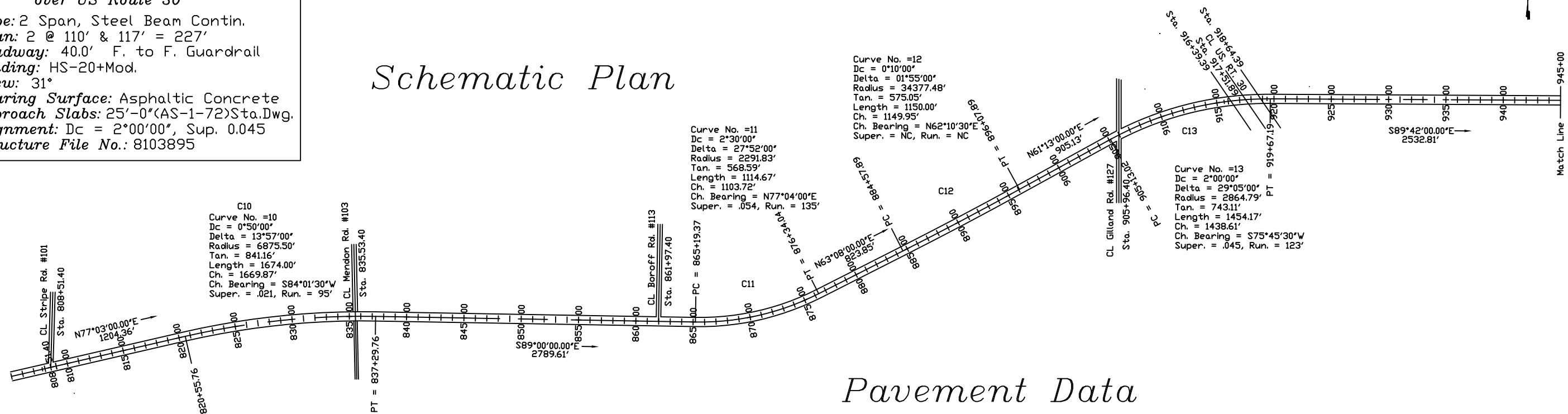
Wearing Surface: Asphaltic Concrete

Approach Slabs: 25'-0" (AS-1-72) Sta. Dwg.

Alignment: Dc = 2°00'00", Sup. 0.045

Structure File No.: 8103895

Schematic Plan



Pavement Data

Route	From	To	Plan Splits	Distance	Pavt Width	Typical Section	Pavt Area	254	254	407	441		617	875
								Pavement Planing	Patching Planed Surface	Tack Coat	Asphalt Concrete Surface Course Type 1 (448)	Asphalt Concrete Intermediate Course Type 2 (448)	Compacted Aggregate	Longitudinal Joint Adhesive
								Thickness 1 1/4"	2% of Planed Area		Thickness 1 1/4"	Thickness 1 3/4"	1 1/2" Avg. Th.	
	Sta.	Sta.		Miles	Feet	Feet	Sq. Yd.	Sq. Yd.	Sq. Yd.	Gal	Cu. Yd.	Cu. Yd.	Cu. Yd.	Lbs.
CR 418	808+31.40	820+55.76	01/STR/PV	.232	1,224.36	28	1	3,809	3,809	76	495	132	185	45
CR 418	820+55.76	837+29.76	01/STR/PV	.317	1,674	28	2	5,208	5,208	104	677	181	253	62
CR 418	837+29.76	865+19.37	01/STR/PV	.528	2,789.61	28	1	8,679	8,679	174	1128	301	422	104
CR 418	865+19.37	876+34.04	01/STR/PV	.211	1,114.67	28	2	3,468	3,468	69	457	120	169	42
CR 418	876+34.04	905+13.02	01/STR/PV	.156	2,878.98	28	1	8,957	8,957	185	1164	311	436	107
CR 418	905+13.02	919+67.19	01/STR/PV	.275	1,454.17	28	2	4,524	4,524	90	588	157	220	54
CR 418	919+67.19	945+00.00	01/STR/PV	.480	2,532.81	28	1	7,880	7,880	158	1024	273	383	94
Intersection			01/STR/PV					3,153	89		252	109		
Totals								42,614	856	5,785	1,584	2,068	508	2,734

Note: All Totals Carried to General Summary
 Note: Mailbox and Drive Quantities are included in the Extra Areas

Asphalt Concrete

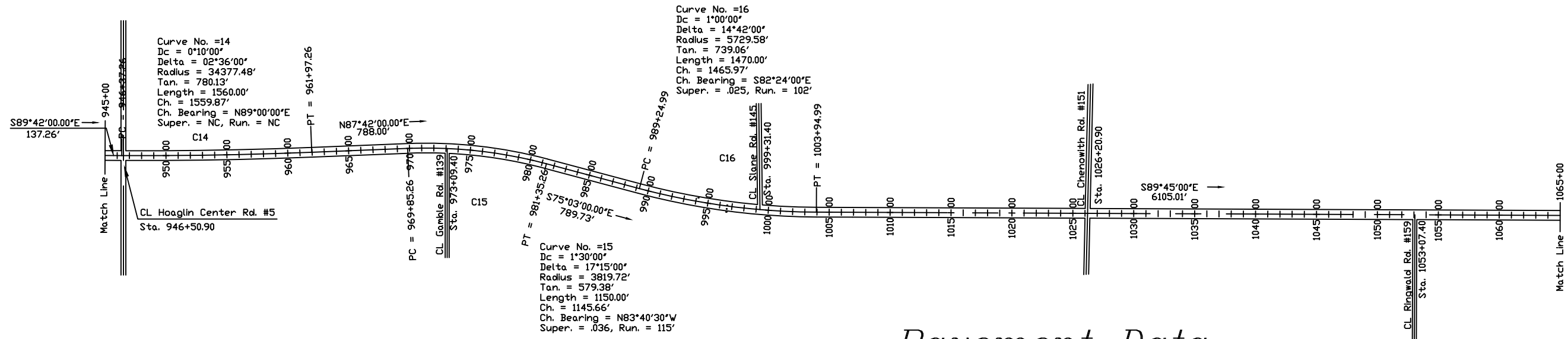
Calculated

Checked MW

VAN-CR418-15.31

7/15

Schematic Plan



Pavement Data

Route	From	To	Plan Splits	Distance		Pavt Width	Typical Section	Pavt Area	254	254	407	441		617	875
				Pavement Planing	Patching Planed Surface				Tack Coat	Asphalt Concrete Surface Course Type 1 (448)	Asphalt Concrete Intermediate Course Type 2 (448)	Compacted Aggregate	Longitudinal Joint Adhesive		
	Sta.	Sta.		Miles	Feet	Feet	Sq. Yd.	Sq. Yd.	Sq. Yd.	Gal	Cu. Yd.	Cu. Yd.	Cu. Yd.	Lbs.	
CR 418	945+00.00	946+37.26	01/STR/PV	.028	137.26	28	1	427	427	9	56	15	21	5	
CR 418	946+37.26	961+97.26	01/STR/PV	.295	1,560	28	2	4,853	4,853	97	631	168	236	58	
CR 418	961+97.26	969+85.26	01/STR/PV	.149	788	28	1	2,452	2,452	49	319	85	119	29	
CR 418	969+85.26	981+35.26	01/STR/PV	.219	1,150	28	2	3,578	3,578	72	465	124	174	43	
CR 418	981+35.26	989+24.99	01/STR/PV	.150	789.73	28	1	2,457	2,457	49	319	85	120	30	
CR 418	989+24.99	1003+94.99	01/STR/PV	.278	1,470	28	2	4,573	4,573	91	594	158	223	55	
CR 418	1003+94.99	1065+00.00	01/STR/PV	1.156	6,105.01	28	1	18,993	18,993	380	2469	658	924	226	
Intersection			01/STR/PV					1,602	86		127	56			
Totals									37,419	747	4,980	1,349	1,817	446	2,400

Note: All Totals Carried to General Summary

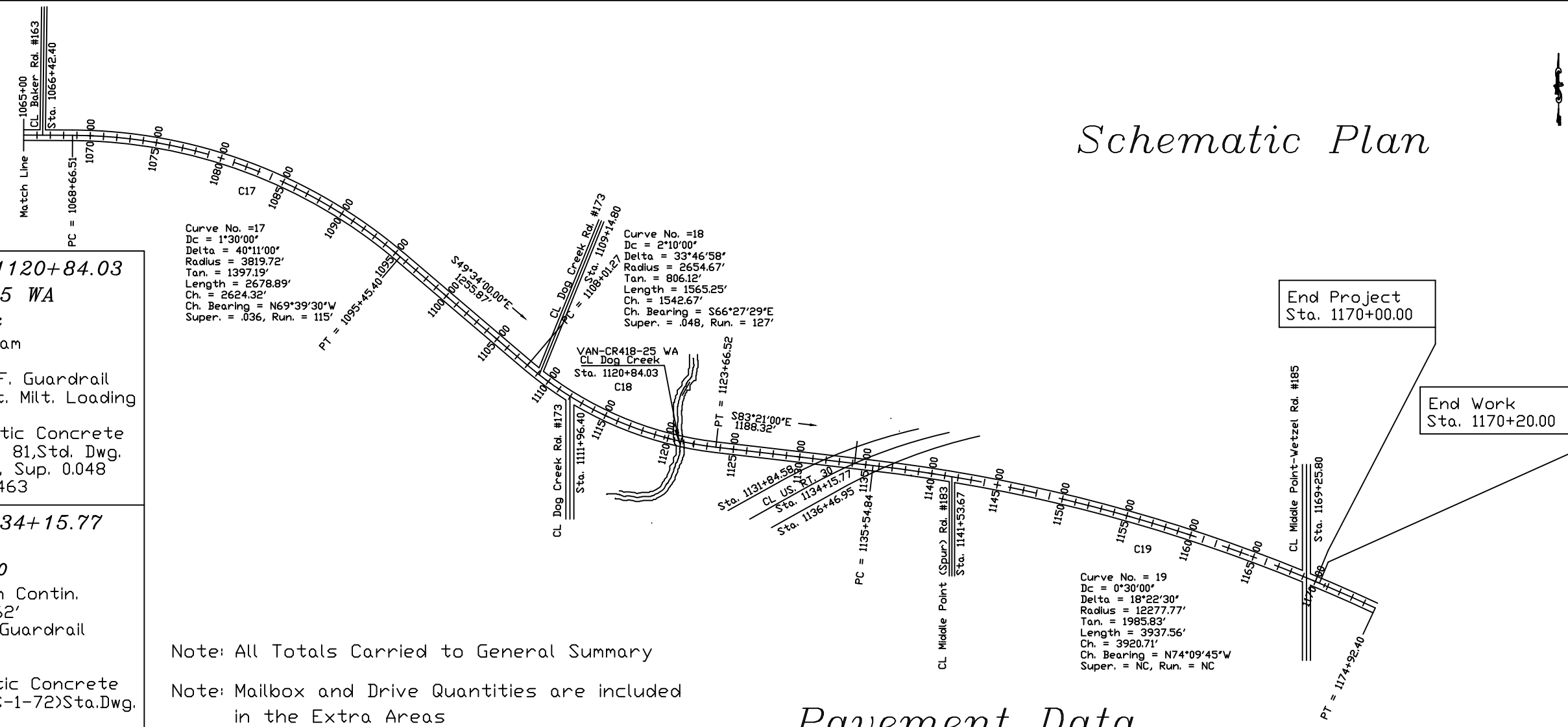
Note: Mailbox and Drive Quantities are included in the Extra Areas

Asphalt Concrete

VAN-CR418-15.31

Calculated
Checked MW

Schematic Plan



County Bridge Sta. 1120+84.03
VAN-CR418-25 WA
 over Dog Creek
 Type: Prestress Box Beam
 Span: 71.96 ft.
 Roadway: 40 ft. F. to F. Guardrail
 Loading: HS-20-44 & Alt. Milt. Loading
 Skew: 28° Rt. Fwd.
 Wearing Surface: Asphaltic Concrete
 Approach Slabs: 20' AS-I 81, Std. Dwg.
 Alignment: Dc = 2°10'00", Sup. 0.048
 Structure File No.: 8137463

ODOT Bridge Sta. 1134+15.77
VAN-30-2041
 over US Route 30
 Type: 4 Span, Steel Beam Contin.
 Span: 4 @ 141' max. = 462'
 Roadway: 40.0' F. to F. Guardrail
 Loading: HS-20+Mod
 Skew: 60° Rt. Fwd.
 Wearing Surface: Asphaltic Concrete
 Approach Slabs: 25'-0"(AS-1-72)Sta.Dwg.
 Alignment: Tan.
 Structure File No.: 8104239

Note: All Totals Carried to General Summary
 Note: Mailbox and Drive Quantities are included in the Extra Areas

Pavement Data

Route	From	To	Plan Splits	Distance	Pavt Width	Typical Section	Pavt Area	254	254	407	441		617	875
								Pavement Planing	Patching Planed Surface	Tack Coat	Asphalt Concrete Surface Course Type 1 (448)	Asphalt Concrete Intermediate Course Type 2 (448)	Compacted Aggregate	Longitudinal Joint Adhesive
	Sta.	Sta.		Miles	Feet	Feet	Sq. Yd.	Sq. Yd.	Sq. Yd.	Gal	Thickness 1 1/4"	Thickness 1 3/4"	1 1/2" Avg. Th.	Lbs.
CR 418	1065+00.00	1068+66.51	01/STR/PV	.069	366.51	28	1,140	1,140	23	148	40	55	14	
CR 418	1068+66.51	1095+45.40	01/STR/PV	.507	2,678.89	28	8,335	8,335	167	1084	289	406	99	
CR 418	1095+45.40	1108+01.27	01/STR/PV	.238	1,255.87	28	3,907	3,907	78	508	135	190	47	
CR 418	1108+01.27	1123+66.52	01/STR/PV	.296	1,565.25	28	4,870	4,870	97	633	169	237	58	
CR 418	1123+66.52	1135+54.84	01/STR/PV	.225	1,188.32	28	3,697	3,697	74	481	128	180	44	
CR 418	1135+54.84	1170+00.00	01/STR/PV	.652	3,445.16	28	10,718	10,718	214	1393	372	522	128	
Intersection			01/STR/PV				1,991	87		144	69			
Extra Areas			01/STR/PV				3,782			303	131			
Totals								32,754	653	4,694	1,333	1,590	390	2,100

Asphalt Concrete

VAN-CR418-15.31

SHEET NUMBER							PART.		ITEM	EXTENSION	TOTAL	UNIT	DESCRIPTION	SEE SHEET
4	6	7	8	9	13	14	02/S<2/PV	01/STR/PV					ROADWAY	
						56	56		202	30000	56	SF	Walk Removed	
						12	12		202	32000	12	FT	Curb Removed	
						104	104		608	10000	104	SF	4" Concrete Walk	
						122	122		608	52001	122	SF	Curb Ramp, As Per Plan	14
						16	16		608	53020	16	SF	Detectable Warning	
						12	12		609	26000	12	FT	Curb, Type 6	
													PAVEMENT	
250						13	237	253	02000	250	CU. YD.		Pavement Repair	
	8,267	42,614	37,419	32,754		8,267	112,787	254	01001	121,054	SQ. YD.		Pavement Planing, Asphalt Concrete (1 1/4") As per plan	4
	165	856	747	653		165	2,256	254	01600	2,421	SQ. YD.		Patching Planed Surface	
	1,065	5,785	4,980	4,694		1,065	15,459	407	20000	16,524	GALLON		Non-Tracking Tack Coat	
	292	1,584	1,349	1,333		292	4,266	441	50000	4,558	CU. YD.		Asphalt Concrete Surface Course, Type 1, (448) PG64-22	
	380	2,068	1,817	1,590		380	5,475	441	50200	5,855	CU. YD.		Asphalt Concrete Intermediate Course, Type 2, (448)	
		508	446	390			1,344	617	10101	1,344	CU. YD.		Compacted Aggregate, As per plan	4
					13.70		13.70	618	41000	13.70	MILES		Edge Line Rumble Stripes Asphalt Concrete	
	390	2,734	2,400	2,100		390	7,234	875	10000	7,624	LBS.		Longitudinal Joint Adhesive	
													TRAFFIC CONTROL	
						476	24	452	621	00100	476	EACH	Raised Pavement Marker	
						14.44	.74	13.70	642	00104	14.44	MILES	Edge Line, 6", Type 1	
						7.22	.37	6.85	642	00300	7.22	MILES	Center Line, Type 1	
													MAINTENANCE OF TRAFFIC	
60						5	55	614	12460	60	EACH		Work Zone Marking Sign	
7.22						.37	6.85	614	21000	7.22	MILES		Work Zone Center Line, Class I	
7.22						.37	6.85	614	21400	7.22	MILES		Work Zone Center Line, Class II	
													INCIDENTALS	
								614	11000	LUMP			Maintaining Traffic	
								624	10000	LUMP			Mobilization	

GENERAL SUMMARY

VAN-CR418-15.31

SHEET NUMBER							PART.		ITEM	EXTENSION	TOTAL	UNIT	DESCRIPTION	SEE SHEET
4	6	7	8	9	13	14	02/S<2/PV	01/STR/PV					ROADWAY	
						56	56		202	30000	56	SF	Walk Removed	
						12	12		202	32000	12	FT	Curb Removed	
						104	104		608	10000	104	SF	4" Concrete Walk	
						122	122		608	52001	122	SF	Curb Ramp, As Per Plan	14
						16	16		608	53020	16	SF	Detectable Warning	
						12	12		609	26000	12	FT	Curb, Type 6	
													PAVEMENT	
250						13	237		253	02000	250	CU. YD.	Pavement Repair	
	8,267	42,614	37,419	32,754		8,267	112,787		254	01001	121,054	SQ. YD.	Pavement Planing, Asphalt Concrete (1 1/4") As per plan	4
	165	856	747	653		165	2,256		254	01600	2,421	SQ. YD.	Patching Planed Surface	
	1,065	5,785	4,980	4,694		1,065	15,459		407	20000	16,524	GALLON	Non-Tracking Tack Coat	
	292	1,584	1,349	1,333		292	4,266		441	50000	4,558	CU. YD.	Asphalt Concrete Surface Course, Type 1, (448) PG64-22	
	380	2,068	1,817	1,590		380	5,475		441	50300	5,855	CU. YD.	Asphalt Concrete Intermediate Course, Type 2, (448)	
		508	446	390			1,344		617	10101	1,344	CU. YD.	Compacted Aggregate, As per plan	4
					13.70		13.70		618	41000	13.70	MILES	Edge Line Rumble Stripes Asphalt Concrete	
	390	2,734	2,400	2,100		390	7,234		875	10000	7,624	LBS.	Longitudinal Joint Adhesive	
													TRAFFIC CONTROL	
						476	24	452	621	00100	476	EACH	Raised Pavement Marker	
						14.44	.74	13.70	642	00104	14.44	MILES	Edge Line, 6", Type 1	
						7.22	.37	6.85	642	00300	7.22	MILES	Center Line, Type 1	
													MAINTENANCE OF TRAFFIC	
60						5	55		614	12460	60	EACH	Work Zone Marking Sign	
7.22						.37	6.85		614	21000	7.22	MILES	Work Zone Center Line, Class I	
7.22						.37	6.85		614	21400	7.22	MILES	Work Zone Center Line, Class II	
													INCIDENTALS	
									614	11000		LUMP	Maintaining Traffic	
									624	10000		LUMP	Mobilization	

GENERAL SUMMARY

VAN-CR418-15.31