

ITEM 202 - ANCHOR ASSEMBLY REMOVED, TYPE A, AS PER PLAN

WHERE DESIGNATED, EXISTING ANCHOR ASSEMBLIES INCLUDING ALL POST AND HARDWARE SHALL BE REMOVED. THIS ITEM SHALL ALSO INCLUDE THE REMOVAL OF THE ENTIRE CONCRETE ANCHOR AND CONCRETE ENCASMENT. ALL HOLES LEFT AFTER REMOVAL OF ASSEMBLIES AND POSTS SHALL BE FILLED WITH GRANULAR MATERIAL AS DIRECTED BY THE ENGINEER. PAYMENT SHALL INCLUDE ALL NECESSARY LABOR AND EQUIPMENT REQUIRED TO PERFORM THE INDICATED ABOVE.

NON-USE OF ASBESTOS-CONTAINING MATERIALS

THE CONTRACTOR SHALL AT NO TIME INCORPORATE ANY MATERIALS WHICH ARE COMPOSED OF OR CONTAIN ANY AMOUNT OF ASBESTOS. THE SUBSTITUTION OF MATERIALS WHICH CONTAIN ANY AMOUNTS OF ASBESTOS WILL IN NO CIRCUMSTANCES BE ACCEPTABLE. UPON COMPLETION OF THE PROJECT, THE CONTRACTOR SHALL SUBMIT A WRITTEN STATEMENT OF CERTIFICATION ASSERTING THAT NO ASBESTOS CONTAINING MATERIALS WERE USED IN ANY PORTION OF THE CONSTRUCTION.

ENDANGERED BAT HABITAT REMOVAL

NO TREES SHALL BE REMOVED. FOR THE PURPOSES OF THIS NOTE, A TREE IS DEFINED AS A LIVE, DYING, OR DEAD WOODY PLANT, WITH A TRUNK THREE INCHES OR GREATER IN DIAMETER AT A HEIGHT OF 4.5 FEET ABOVE THE GROUND SURFACE, AND WITH A MINIMUM HEIGHT OF 13 FEET.

WATERWAY WORK RESTRICTIONS

THE CONTRACTOR SHALL NOT PERFORM ANY IN-STREAM WORK WITHIN THE WATERS OF THE UNITED STATE. NO WATER CRAFTS SHALL BOTTOM OUT ON THE STREAM BANK. DETAILED MAPPING OF WETLANDS WILL BE PROVIDED TO THE CONTRACTOR AT THE PRE-CONSTRUCTION MEETING.

DEMOLITION DEBRIS

THE CONTRACTOR SHALL TAKE PRECAUTIONS TO AVOID AND/OR LIMIT DEMOLITION DEBRIS FROM ENTERING THE STREAM OR FALLING ONTO TRAFFIC LANES, HOMES OR TRAILS BELOW THE BRIDGE. ANY MATERIAL THAT DOES FALL INTO THE STREAM OR ONTO ROADS, HOMES OR TRAILS SHALL BE REMOVED AS SOON AS POSSIBLE. ANY DAMAGED CAUSED BY FALLING DEBRIS SHALL BE REPAIRED AT THE CONTRACTOR'S EXPENSE.

WHILE PAINTING, SANDBLASTING, OR SEALING ANY PORTION OF BRIDGE STRUCTURES, AN APPROPRIATE APRON WILL BE UTILIZED TO PREVENT DEBRIS, PAINT OVERSPRAY, AND SEALANTS FROM ENTERING INTO THE STREAMS OR IMPACTING TRAFFIC.

CLEAN OUT OF EXISTING BRIDGE SCUPPERS AND DOWNSPOUTS

CLEAR SCUPPERS AND DOWN SPOUTS OF DEBRIS. CARE SHALL BE TAKEN TO CAPTURE AND DISPOSE OF CLOGGED MATERIAL SO THAT IT IS NOT DISCHARGED INTO THE WATERWAY.

IN-STREAM WORK RESTRICTIONS

THE CONTRACTOR IS FORBIDDEN FROM PLACING ANY FILL MATERIAL OR MACHINERY BELOW THE ORDINARY HIGH WATER MARK. TO COMPLETE THE PROPOSED WORK SPECIALIZED RIGGING, FLOATING PLATFORMS, BOAT ACCESS, SNOOPER, CRANES, CONTAINMENT, AND/OR ADAPTIVE CLIMBING TECHNIQUES MAY BE NECESSARY TO ACCOMPLISH CERTAIN WORK TO COMPLY WITH ENVIRONMENTAL, RESIDENTIAL, AND MAINTENANCE OF TRAFFIC RESTRICTIONS.

ALL FALSEWORK SHALL BE DESIGNED AND PLACED AS TO NOT UNDULY OBSTRUCT ANY WATERWAY AND SHALL NOT USE EXPANSION ANCHORS OR DOWELS TO SUPPORT THE FALSEWORK ON PIERS OR ABUTMENTS PER CMS 508.

MIGRATORY BIRD PROTECTION

CLIFF SWALLOWS, A NATIVE BIRD PROTECTED UNDER THE MIGRATORY BIRD TREATY ACT (MBTA), HAVE BEEN OBSERVED NESTING UPON THE WAR-22-0303 BRIDGE AND THE WAR-48-0863 BRIDGE. THE MBTA PROHIBITS THE INTENTIONAL KILLING OR CAPTURE OF NATIVE BIRDS PROTECTED UNDER THE ACT. IF CONSTRUCTION ACTIVITIES ARE TO OCCUR BETWEEN THE DATES OF MAY 1 AND AUGUST 31 ON THESE STRUCTURES, THEN PRIOR TO THE START OF CONSTRUCTION THE CONTRACTOR MUST INSPECT THE STRUCTURES FOR EVIDENCE OF ACTIVE BIRD NESTS CONTAINING AN EGG OR CHICK. WRITTEN CONFIRMATION OF THE INSPECTION, INCLUDING A STATEMENT WHETHER AN ACTIVE NEST WAS FOUND, MUST BE PROVIDED TO THE ENGINEER. IF AN ACTIVE NEST CONTAINING AN EGG OR CHICK IS ENCOUNTERED, IMPACTS TO THE NEST MUST BE AVOIDED UNTIL ALL DEVELOPING BIRDS ARE ABLE TO INDEPENDENTLY FLY FROM THE NEST. IF NO NESTS ARE ENCOUNTERED DURING THE INSPECTION, OR IF ONLY INACTIVE NESTS THAT DO NOT CONTAIN AN EGG OR CHICK ARE ENCOUNTERED, CONSTRUCTION ACTIVITIES CAN PROCEED. INACTIVE NESTS CAN BE REMOVED AND DESTROYED. IF AN ACTIVE NEST CONTAINING AN EGG OR CHICK CANNOT BE AVOIDED, THE CONTRACTOR MUST OBTAIN A DEPREDATION PERMIT FROM THE USFWS PRIOR TO DESTROYING ANY ACTIVE NEST. INFORMATION ON OBTAINING A DEPREDATION PERMIT FROM THE USFWS CAN BE OBTAINED BY CONTACTING THE REGION 3 MIGRATORY BIRD REGIONAL PERMIT OFFICE AT 5600 AMERICAN BLVD. WEST, SUITE 990, BLOOMINGTON, MN 55437-1458, PHONE NUMBER 612-713-5436, EMAIL PERMITSR3MB@FWS.GOV. PROJECTS PERFORMING THE CONSTRUCTION ACTIVITIES BETWEEN THE DATES OF AUGUST 31 AND MAY 1 DO NOT REQUIRE AN INSPECTION FOR MIGRATORY BIRDS OR AVOIDANCE MEASURES.

THESE BIRDS CAN REMAKE A NEST WITHIN 48 HOURS. THE CONTRACTOR SHALL TAKE STEPS TO PREVENT BIRDS FROM REMAKING NESTS AFTER THEY HAVE BEEN REMOVED. THIS CAN INCLUDE ERECTING NETTING, PAINT TARP, ETC. TO PREVENT NEST CREATION DURING STRUCTURE REHABILITATION. ERECTION OF NETTING, TARPS, ETC. MUST OCCUR PRIOR TO MAY 1.

IT IS THE CONTRACTOR'S RESPONSIBILITY TO KEEP THE WORK AREA FREE OF BIRDS AND SECURE FROM BIRD ENTRY. FAILURE TO MEET THIS REQUIREMENT MAY RESULT IN PROJECT DELAYS. SUCH DELAYS WILL BE CONSIDERED NON-EXCUSABLE AND NON-COMPENSABLE PER CMS 108.06E.

THE FOLLOWING QUANTITY HAS BEEN CARRIED TO THE STRUCTURE QUANTITY TABLES FOR THIS WORK: ITEM 530 - STRUCTURE, MISC.: PROTECTION FROM MIGRATORY BIRDS (LUMP SUM)

LITTLE MIAMI STATE PARK TRAIL

THE CONTRACTOR SHALL CLOSELY COORDINATE THE CONSTRUCTION SCHEDULE WITH ODOT, THE OHIO DEPARTMENT OF NATURAL RESOURCES (MELISSA.CLARK@DNR.STATE.OH.US, 937-382-1096), AND FRIENDS OF THE LITTLE MIAMI STATE PARK (PRESIDENT@FLMSP.ORG, 513-212-6958) TWO WEEKS PRIOR TO THE START OF CONSTRUCTION ACTIVITIES. THE CONTRACTOR SHALL NOT STAGE AND/OR STORE ANY CONSTRUCTION EQUIPMENT OR MATERIALS OUTSIDE OF THE PROPOSED CONSTRUCTION LIMITS THAT ARE WITHIN THE DEFINED BOUNDARIES OF THE LITTLE MIAMI STATE PARK TRAIL. TEMPORARY CONSTRUCTION FENCING SHALL BE INSTALLED ALONG PROPOSED CONSTRUCTION LIMITS PRIOR TO THE START OF CONSTRUCTION ACTIVITIES TO PROTECT THE LITTLE MIAMI STATE PARK TRAIL AND THE PUBLIC. THE CONTRACTOR SHALL INSTALL APPROPRIATE SIGNAGE TO ALERT USERS OF THE LITTLE MIAMI STATE PARK TRAIL OF CONSTRUCTION ACTIVITIES.

MANHOLE REHABILITATION

THE CONTRACTOR SHALL REPLACE THE EXISTING MANHOLE COVER WITH AN EMERGENCY PRESURE VENTING MANHOLE COVER AT THE LOCATIONS SHOWN IN THE PLANS. MANHOLE COVER SHALL BE PROVIDED BY ONE OF THE FOLLOWING MANUFACTURERS OR AN APPROVED EQUAL. CONTRACTOR SHALL VERIFY PRODUCT DIMENSIONS PRIOR TO ORDERING TO ENSURE PROPER FIT-UP TO EXISTING MANHOLES.

STORM SURGE
EAST JORDAN CASTING CO.
301 SPRING STREET
PO BOX 439
EAST JORDAN, MI 49727
TEL 800-874-4100
FAX 231-536-4458
WWW.EJCO.COM

HYDROVENT
NEENAH FOUNDRY CO.
2121 BROOKS AVENUE
NEENAH, WI 54956
PHONE: 800.558.5075
FAX: 920.729.3661
WWW.NFCO.COM

THE FOLLOWING QUANTITIES HAVE BEEN CARRIED TO THE GENERAL SUMMARY:

202 - REMOVAL, MISC.: MANHOLE FRAME AND COVER = 2 EACH
611 - MANHOLE FRAME AND COVER, AS PER PLAN = 2 EACH (EMERGENCY VENTING TYPE)

BRIDGE MOUNTED STREAM GAGE (WAR-48-8.63 BRIDGE)

90 DAYS PRIOR TO THE START OF CONSTRUCTION, THE CONTRACTOR SHALL CONTACT WARREN COUNTY EMA TO ARRANGE FOR THE BRIDGE MOUNTED STREAM GAUGES AND ASSOCIATED WIRING CONDUITS TO BE DISCONNECTED FROM THE BRIDGE TO ACCOMMODATE PARAPET AND EXPANSION JOINT REPLACEMENT AS WELL AS BRIDGE PAINTING.

ONCE THE BRIDGE WORK IS COMPLETED, THE WARREN COUNTY EMA SHALL BE CONTACTED AGAIN TO ARRANGE FOR THE STREAM GAUGES TO BE RECONNECTED TO THE BRIDGE. ALL STREAM GAUGE WORK AND ASSOICATED COSTS SHALL BE THE RESPONSIBILITY OF THE WARREN COUNTY EMA.

DAVID WOOD
LEPC/GRANTS COORDINATOR
WARREN COUNTY EMA
520 JUSTICE DRIVE
LEBANON, OHIO, 45036
O: 513-695-1313
F: 513-695-1715



REVIEW OF DRAINAGE FACILITIES

BEFORE ANY WORK IS STARTED ON THE PROJECT AND AGAIN BEFORE FINAL ACCEPTANCE BY THE STATE, REPRESENTATIVES OF THE STATE AND THE CONTRACTOR, ALONG WITH LOCAL REPRESENTATIVES, SHALL MAKE AN INSPECTION OF ALL EXISTING SEWERS WHICH ARE TO REMAIN IN SERVICE AND WHICH MAY BE AFFECTED BY THE WORK. THE CONDITION OF THE EXISTING CONDUITS AND THEIR APPURTENANCE SHALL BE DETERMINED FROM FIELD OBSERVATIONS. RECORDS OF THE INSPECTION SHALL BE KEPT IN WRITING BY THE STATE.

ALL NEW CONDUITS, INLETS, CATCH BASINS, AND MANHOLES CONSTRUCTED AS A PART OF THE PROJECT SHALL BE FREE OF ALL FOREIGN MATTER AND IN A CLEAN CONDITION BEFORE THE PROJECT WILL BE ACCEPTED BY THE STATE.

ALL EXISTING SEWERS INSPECTED INITIALLY BY THE ABOVE MENTIONED PARTIES SHALL BE MAINTAINED AND LEFT IN A CONDITION REASONABLY COMPARABLE TO THAT DETERMINED BY THE ORIGINAL INSPECTION. ANY CHANGE IN THE CONDITION RESULTING FROM THE CONTRACTOR'S OPERATIONS SHALL BE CORRECTED BY THE CONTRACTOR TO THE SATISFACTION OF THE ENGINEER.

PAYMENT FOR ALL OPERATIONS DESCRIBED ABOVE SHALL BE INCLUDED IN THE CONTRACT PRICE FOR THE PERTINENT 611 CONDUIT ITEMS.

BRIDGE MOUNTED SIGN (WAR-48-8.63 BRIDGE)

TEMPORARILY DETATCH THE EXISTING RIVER MILE MARKERS MOUNTED TO THE GIRDER BOTTOM FLANGES TO ACCOMMODATE BRIDGE PAINTING. RE-ATTACH SIGN ONCE PAINTING IS COMPLETED COST FOR THIS WORK SHALL BE INCIDENTAL TO ITEM 514



CONSTRUCTION LIMITS

CONSTRUCTION LIMITS FOR THE PROPOSED WORK SHOWN IN THE PLANS SHALL MATCH THE EXISTING RIGHT OF WAY LIMITS FOR THE BRIDGES AND ADJACENT ROADS.

CARL RAME SCENIC RIVER ACCESS

THE CONTRACTOR SHALL NOT STAGE AND/OR STORE ANY CONSTRUCTION EQUIPMENT OR MATERIALS OUTSIDE OF THE PROPOSED CONSTRUCTION LIMITS THAT ARE WITHIN THE DEFINED BOUNDARIES OF THE CARL RAME SCENIC RIVER ACCESS. ACCESS TO THE CARL RAME SCENIC RIVER ACCESS SHALL BE MAINTAINED AT ALL TIMES DURING CONSTRUCTION.

I:\ProjectData\WAR\103849_WAR-22-0303\Design\Roadway\Sheets\03849_GN002.dgn Sheet 1/8/2020 11:54:43 AM choward4

CALCULATED
XXX
CHECKED
XXX

GENERAL NOTES

WAR-22/48 -
3.03/8.63

I:\ProjectData\WAR\03849_WAR-22-0303_Design\Roadway\Sheets\03849_GN003.dgn Sheet 1/8/2020 11:51:51 AM choward4

SCENIC RIVER ENVIRONMENTAL COMMITMENTS

THE CONTRACTOR SHALL NOT DISCHARGE TOXIC OR HAZARDOUS MATERIALS SUCH AS SEALANTS, PAINT, SOLVENTS, CLEANING AGENTS, EARTHEN MATERIALS, WASTE-WATER, FUELS OR DEBRIS OF ANY KIND TO A SCENIC RIVER, ITS TRIBUTARIES, OR DRAINAGE WAYS. IF REFUELING OF IMMOBILE EQUIPMENT IS NECESSARY WITHIN THE FLOODPLAIN OR NEAR ANY TRIBUTARY DRAINAGE WAYS, DITCHES, OR STREAM, THE CONTRACTOR SHALL PROVIDE SECONDARY CONTAINMENT WITH ENOUGH CAPACITY TO COMPLETELY CONTAIN AND COLLECT ALL POTENTIAL LIQUID WASTES IN THE EVENT OF A SPILL.

ANY AND ALL CONSTRUCTION DEBRIS, EARTHEN DEBRIS, EXCESS ASPHALT OR CONCRETE, WOOD DEBRIS FROM CLEARING, EXCESS FILL MATERIAL, AND TRASH SHOULD BE DISPOSED OF AT AN APPROVED UPLAND SITE OR LAND FILL ABOVE FEMA 100-YEAR FLOOD ELEVATIONS. DISPOSAL OF ANY SUCH MATERIALS WITHIN 1000 FEET OF THE LITTLE MIAMI SCENIC RIVER IS PROHIBITED.

IN ACCORDANCE WITH ORC 3750.06, REPORTABLE SPILLS MUST BE REPORTED TO THE LOCAL FIRE DEPARTMENT (911); THE LOCAL EMERGENCY COORDINATOR (513-292-8071), AND THE OHIO SPILL LINE (1-800-282-9378).

THE CONTRACTOR SHALL KEEP ALL IDLE EQUIPMENT, FUELS, LUBRICANTS, AND ANY STORAGE FOR/OF POTENTIALLY TOXIC OR HAZARDOUS MATERIALS OUT OF THE FEMA DESIGNATED SPECIAL FLOOD HAZARD AREA AND NOT WITHIN 1000 FEET OF THE LITTLE MIAMI SCENIC RIVER.

THE CONTRACTOR SHALL NOTIFY THE PROJECT ENGINEER 40 DAYS PRIOR TO WORK WITHIN 1000 FEET OF THE LITTLE MIAMI SCENIC RIVER. THE PROJECT ENGINEER SHALL NOTIFY THE DISTRICT ENVIRONMENTAL COORDINATOR 35 DAYS PRIOR TO WORK WITHIN 1000 FEET OF THE SCENIC RIVER. IF COORDINATION WITH ODNR HAS NOT ALREADY OCCURRED, AND THE PROJECT REQUIRES NOTIFICATION TO THE SCENIC RIVER MANGER PRIOR TO CONSTRUCTION PER THE SCENIC RIVER MOA, THE DISTRICT ENVIRONMENTAL COORDINATOR SHALL COORDINATE WITH ODNR SCENIC RIVERS 30 DAYS PRIOR TO ANY WORK WITHIN 1000 FEET OF LITTLE MIAMI SCENIC RIVER.

IF ANY PAINTING, WELDING, SAND AND/OR WATER BLASTING (CLEANING) AT OR OVER THE LITTLE MIAMI SCENIC RIVER, THEN THE CONTRACTOR SHALL UTILIZE APPROPRIATE APRONS TO PROVIDE FOR COMPLETE CONTAINMENT OF ALL PAINT, WELDING SLAG AND/OR SEALANT OVER SPRAY AND OTHER DEBRIS. APRONS, APPROPRIATE FALSEWORK, OR OTHER BARRIERS SHALL BE UTILIZED ON ALL DECK REPLACEMENT PROJECTS TO PREVENT THE DISCHARGE OF CONCRETE, ASPHALT OR OTHER DEBRIS TO A DESIGNATED SCENIC RIVER. ALL DEBRIS COLLECTED SHALL BE DISPOSED OF AT AN APPROVED UPLAND SITE OR LAND FILL ABOVE FEMA 100-YEAR FLOOD ELEVATIONS. DISPOSAL OF ANY SUCH MATERIALS WITHIN 1000 FEET OF THE LITTLE MIAMI SCENIC RIVER IS PROHIBITED.

SOLE SOURCE AQUIFER

THE WAR-22-0303 & WAR-48-0863 PROJECTS ARE LOCATED WITHIN A SOLE SOURCE AQUIFER. IN ORDER TO MINIMIZE THE POTENTIAL FOR CONTAMINATION, THE CONTRACTOR SHALL UTILIZE PROPER CONTAINMENT AND DIKING IN REFUELING AREAS. FUELS, TOXIC/HAZARDOUS MATERIALS, AND CHEMICALS SHALL NOT BE STORED NEAR DRAINAGE WAYS, DITCHES, OR STREAMS. A SPILL KIT IS TO BE MAINTAINED ON-SITE THROUGHOUT CONSTRUCTION ACTIVITIES. THE CONTRACTOR SHALL IMMEDIATELY TAKE STEPS TO MITIGATE ANY EVENT, SUCH AS A SPILL OF FUELS, OILS, OR CHEMICALS, THAT COULD THREATEN TO CONTAMINATE THE DRINKING WATER SUPPLY. IF THE SPILL IS A REPORTABLE AMOUNT (PER OHIO EPA'S RELEASE REPORTING REQUIREMENTS), THE CONTRACTOR SHALL CONTACT DEERFIELD TOWNSHIP FIRE DEPARTMENT 513-701-6958 FOR THE WAR-22-0303 PROJECT & UNION TOWNSHIP FIRE DEPARTMENT 513-528-4446 FOR WAR-48-0863 PROJECT, OR THE OHIO EPA'S SPILLS HOTLINE 1-800-282-9378 FOR CLEAN-UP OF THE SPILL.

DRINKING WATER PROTECTION AREA

WAR-48-0863 PROJECT IS LOCATED WITHIN A DRINKING WATER PROTECTION AREA. IN ORDER TO MINIMIZE THE POTENTIAL FOR CONTAMINATION, THE CONTRACTOR SHALL UTILIZE PROPER CONTAINMENT AND DIKING IN REFUELING AREAS. FUELS, TOXIC/HAZARDOUS MATERIALS, AND CHEMICALS SHALL NOT BE STORED NEAR DRAINAGE WAYS, DITCHES, OR STREAMS. A SPILL KIT IS TO BE MAINTAINED ON-SITE THROUGHOUT CONSTRUCTION ACTIVITIES. THE CONTRACTOR SHALL IMMEDIATELY TAKE STEPS TO MITIGATE ANY EVENT, SUCH AS A SPILL OF FUELS, OILS, OR CHEMICALS, THAT COULD THREATEN TO CONTAMINATE THE DRINKING WATER SUPPLY. ANY SUCH SPILL OR EVENT SHALL BE REPORTED IMMEDIATELY TO THE WARREN COUNTY RICHARD RENNEKER PWS 513-683-3687. IF THE SPILL IS A REPORTABLE AMOUNT (PER OHIO EPA'S RELEASE REPORTING REQUIREMENTS), THE CONTRACTOR SHALL CONTACT UNION TOWNSHIP FIRE DEPARTMENT 513-528-4446 OR THE OHIO EPA'S SPILLS HOTLINE 1-800-282-9378 FOR CLEAN-UP OF THE SPILL.

SITE ACCESS TO WAR-48-8.63 BRIDGE

THE CONTRACTOR SHALL CONTACT THE WARREN COUNTY RICHARD RENNEKER WATER TREATMENT FACILITY TO ARRANGE ACCESS TO THE UNDERSIDE OF THE WAR-48-0863 THROUGH THE PAD LOCKED GATES OF THE WATER WELL FIELD AREA JUST NORTH OF THE BRIDGE. INSIDE THE WELL FIELD AREA, THE CONTRACTOR SHALL TRAVEL ONLY ALONG DEFINED SERVICE ROADS. ANY DAMAGE TO THE WELL FIELD AND ITS APPURTENANCES SHALL BE REPAIRED TO WARREN COUNTY STANDARDS AT THE CONTRACTOR'S EXPENSE.

JOHN WARE
WARREN COUNTY RICHARD RENNEKER WATER TREATMENT FACILITY
(513) 683-3687
EMAIL: JOHN.WARE@CO.WARREN.OH.US

WAR-48-8.63 PAINTING RESTRICTIONS

EXCEPT FOR PAINT TARPS AND TEMPORARY SCAFFOLDING, PAINTING EQUIPMENT (i.e. TRUCKS, PAINT, GRIT BLASTING EQUIPMENT AND NEW OR SOILED GRIT BLASTING MATERIAL) SHALL NOT BE STORED BELOW THE BRIDGE DECK OR ANY WHERE BELOW THE 100 YEAR FLOOD ELEVATION OF THE LITTLE MIAMI RIVER (ELEV. 626.00).

CALCULATED
XXX
CHECKED
XXX

GENERAL NOTES

WAR-22/48 -
3.03/8.63

4A
56

MAINTAINING TRAFFIC

ALL EXISTING LANES SHALL BE OPEN AND AVAILABLE TO TRAFFIC BETWEEN NOVEMBER 1 AND JUNE 1. SHOULD THE CONTRACTOR FAIL TO MEET THESE REQUIREMENTS, A DISINCENTIVE SHALL BE ASSESSED IN THE AMOUNT SPECIFIED IN THE A+B CONTRACT PER CALENDAR DAY.

THE CONTRACTOR IS PERMITTED TO MAINTAIN ONE LANE, TWO WAY TRAFFIC USING FLAGGERS BETWEEN THE HOURS OF 8PM TO 6AM.

US 22:

A MINIMUM OF ONE LANE OF TRAFFIC IN EACH DIRECTION SHALL BE MAINTAINED AT ALL TIMES, EXCEPT FOR A PERIOD NOT TO EXCEED THE TIME BID IN THE A+B CONTRACT ACCORDING TO PN 125, WHEN THROUGH TRAFFIC MAY BE DETOURED AS SHOWN ON SHEET 8. THE US 22 CLOSURE SHALL OCCUR DURING CALENDAR YEAR 2021.

SR 48:

A MINIMUM OF ONE LANE OF TRAFFIC IN EACH DIRECTION SHALL BE MAINTAINED AT ALL TIMES, EXCEPT FOR A PERIOD NOT TO EXCEED THE TIME BID IN THE A+B CONTRACT ACCORDING TO PN 125, WHEN THROUGH TRAFFIC MAY BE DETOURED AS SHOWN ON SHEET 7. THE SR 48 CLOSURE SHALL OCCUR DURING CALENDAR YEAR 2020.

FOSTERS-MAINVILLE ROAD:

A MINIMUM OF ONE LANE OF TRAFFIC IN EACH DIRECTION SHALL BE MAINTAINED AT ALL TIMES, EXCEPT FOR A PERIOD NOT TO EXCEED 7 CALENDAR DAYS, WHEN THROUGH TRAFFIC MAY BE DETOURED AS SHOWN ON SHEET 9. A DISINCENTIVE SHALL BE ASSESSED IN THE AMOUNT OF \$5,000 PER DAY FOR EACH CALENDAR DAY THE ROADWAY REMAINS CLOSED TO TRAFFIC BEYOND THE SPECIFIED LIMIT.

OLD 3C HIGHWAY:

SEE SHEET 8 FOR ADDITIONAL REQUIREMENTS REGARDING LEFT TURN MOVEMENTS FROM OLD 3C HIGHWAY ONTO US 22 AND LEFT TURN MOVEMENT RESTRICTIONS FROM US 22 ONTO OLD 3C HIGHWAY DURING PEAK HOURS WHILE WORK IS PERFORMED AT THE WAR-22-3.03 BRIDGE.

DURING THE US 22/3 ROAD CLOSURE THE BELOW INTERSECTIONS SHALL BE REVISED TO ALL WAY STOP CONTROLLED INTERSECTIONS. INSTALL W3-1-48 AND R1-1-48 SIGNS AND WORK ZONE STOP LINE ON US 22/3 IN EACH DIRECTION OF US 22/3 AT BOTH INTERSECTIONS. INSTALL ALL WAY PLAQUES, R1-3P, ON ALL STOP SIGNS; PLAQUES ON EXISTING SIGNS TO BE 18X6, PLAQUES ON TEMPORARY SIGNS TO BE 30X12. REPLACE ALL EXISTING YELLOW LED FLASHING LIGHTS WITH RED LED FLASHING LIGHTS. UPON COMPLETION OF ALL WORK AT WAR-22-3.03 AND IMMEDIATELY PRIOR TO OPENING THE ROAD TO TRAFFIC, ALL TEMPORARY MEASURES DETAILED HERE SHALL BE RESTORED TO EXISTING CONDITION.

US 22/3 AT OLD 3C AND CREEKWOOD PLACE
US 22/3 AT OLD 3C

WITH THE EXCEPTION OF THE WORK ZONE STOP LINE, PAYMENT FOR ALL LABOR, EQUIPMENT, AND MATERIALS NECESSARY TO PERFORM THIS WORK SHALL BE INCLUDED IN THE LUMP SUM CONTRACT PRICE FOR ITEM 614, MAINTAINING TRAFFIC.

THE FOLLOWING ESTIMATED QUANTITY HAS BEEN CARRIED TO THE GENERAL SUMMARY FOR USE AS SPECIFIED ABOVE.

WORK ZONE STOP LINE, CLASS 1, 740.06, TYPE 1 84 FEET

MAINTAIN ACCESS TO RESIDENTIAL, COMMERCIAL AND SERVICE DRIVES, TRAILS AND ROADS AT ALL TIMES EXCEPT AS NOTED ABOVE. ANY CONSTRUCTION DAMAGE TO THE ABOVE MENTIONED ITEMS SHALL BE REPAIRED AT THE CONTRACTOR'S EXPENSE.

CONTRACTOR SHALL ERECT WARNING SIGNAGE AND MAINTAIN TRAFFIC ON THE LITTLE MIAMI STATE PARK TRAIL USING FLAGGERS.

NOTICE OF CLOSURE SIGNS (W20-H13) SHALL BE ERECTED BY THE CONTRACTOR PRIOR TO THE SCHEDULED ROAD OR RAMP CLOSURE IN ACCORDANCE WITH THE NOTICE OF CLOSURE TIME TABLE BELOW. AT THE APPROVAL OF THE ENGINEER, PORTABLE CHANGEABLE MESSAGE SIGNS MAY BE USED IN LIEU OF THE STANDARD FLATSHEET SIGN FOR CLOSURE DURATIONS OF LESS THAN 1 WEEK.

THE SIGNS SHALL BE ERECTED ON THE RIGHT-HAND SIDE OF THE ROAD/RAMP FACING TRAFFIC. THEY SHALL BE PLACED SO AS NOT TO

INTERFERE WITH THE VISIBILITY OF ANY OTHER TRAFFIC CONTROL SIGNS. ON ROADWAYS,

THEY SHOULD BE ERECTED AT OR NEAR THE POINT OF CLOSURE. THE SIGNS MAY BE ERECTED ANYWHERE ON RAMPS AS LONG AS THEY ARE VISIBLE TO THE MOTORISTS USING THE RAMP. ON ENTRANCE RAMPS, THE SIGN SHALL BE ERECTED WELL IN ADVANCE OF THE MERGE AREA TO AVOID DISTRACTING MOTORISTS.

NOTICE OF CLOSURE SIGN TIME TABLE		
ITEM	DURATION OF CLOSURE	SIGN DISPLAYED TO PUBLIC
RAMP &	>=2 WEEKS	14 CALENDAR DAYS PRIOR TO CLOSURE
ROAD	> 12 HOURS & < 2 WEEKS	7 CALENDAR DAYS PRIOR TO CLOSURE
CLOSURES < 12 HOURS		2 BUSINESS DAYS PRIOR TO CLOSURE

THE SIGN SHALL DISPLAY THE DATE OF THE CLOSURE IN MMM-DD FORMAT AND THE NUMBER OF DAYS OF THE CLOSURE. THE LAST LINE OF THE W20-H13 SIGN LISTS A PHONE NUMBER WHICH A MOTORIST MAY CALL FOR ADDITIONAL INFORMATION. THIS IS TO BE A SPECIFIC OFFICE WITHIN THE DISTRICT RATHER THAN THE GENERAL SWITCHBOARD NUMBER.

THE CONTRACTOR SHALL PROVIDE, ERECT AND MAINTAIN STANDARD 48 X 30 INCH ROAD CLOSED SIGNS, SIGN SUPPORTS, BARRICADES AND LIGHTS, AS DETAILED IN SCD MT-101.60 AT THE LOCATIONS SHOWN IN THE PLANS DURING PERIODS IN WHICH THE AFFECTED ROADS ARE CLOSED TO TRAFFIC.

THE CONTRACTOR SHALL PROVIDE, ERECT AND MAINTAIN SIGNS AND SIGN SUPPORTS, AS DETAILED IN THE OHIO MANUAL OF UNIFORM TRAFFIC CONTROL DEVICES, AND TYPE III BARRICADES AT LOCATIONS SHOWN ON THE DETOUR PLANS.

NO WORK SHALL BE PERFORMED AND ALL EXISTING LANES SHALL BE OPEN TO TRAFFIC DURING THE FOLLOWING DESIGNATED HOLIDAYS OR EVENTS:

CHRISTMAS	NEW YEARS
THANKSGIVING	
WESTERN AND SOUTHERN OPEN (US 22 ONLY)	

THE PERIOD OF TIME THAT THE LANES ARE TO BE OPEN DEPENDS ON THE DAY OF THE WEEK ON WHICH THE HOLIDAY OR EVENT FALLS. THE FOLLOWING SCHEDULE SHALL BE USED TO DETERMINE THIS PERIOD:

DAY OF HOLIDAY OR EVENT	TIME ALL LANES MUST BE OPEN TO TRAFFIC
SUNDAY	12:00N FRIDAY THROUGH 6:00AM MONDAY
MONDAY	12:00N FRIDAY THROUGH 6:00AM TUESDAY
TUESDAY	12:00N MONDAY THROUGH 6:00AM WEDNESDAY
WEDNESDAY	12:00N TUESDAY THROUGH 6:00AM THURSDAY
THURSDAY	12:00N WEDNESDAY THROUGH 6:00AM FRIDAY
THURSDAY	(THANKSGIVING ONLY)
FRIDAY	6:00AM WEDNESDAY THROUGH 6:00AM MONDAY
FRIDAY	12:00N THURSDAY THROUGH 6:00AM MONDAY
SATURDAY	12:00N FRIDAY THROUGH 6:00AM MONDAY

SHOULD THE CONTRACTOR FAIL TO MEET ANY OF THESE REQUIREMENTS, THE CONTRACTOR SHALL BE ASSESSED A DISINCENTIVE IN THE AMOUNT OF \$145 PER MINUTE. ALL WORK AND TRAFFIC CONTROL DEVICES SHALL BE IN ACCORDANCE WITH C&MS 614 AND OTHER APPLICABLE

PORTIONS OF THE SPECIFICATIONS, AS WELL AS THE OHIO MANUAL OF UNIFORM TRAFFIC CONTROL DEVICES. PAYMENT FOR ALL LABOR, EQUIPMENT AND MATERIALS

SHALL BE INCLUDED IN THE LUMP SUM CONTRACT PRICE FOR ITEM 614, MAINTAINING TRAFFIC, UNLESS SEPARATELY ITEMIZED IN THE PLAN.

ADVANCE WORK ZONE INFORMATION

ADVANCE WORK ZONE INFORMATION SIGNS, AS USED IN THIS NOTE, ARE FIXED MESSAGE TYPES. THE SIGNS ARE TO BE LOCATED AT EXTREME DISTANCE FROM THE WORK AREA, AS SHOWN IN THE PLANS.

THE SIGNS SHALL BE BLACK ON ORANGE (INCLUDING A BLACK BORDER). THE LAYOUT SHALL BE IN CONFORMANCE WITH TEM CHAPTER 211.

WHEN REGULATORY INFORMATION IS PROVIDED, IT SHALL BE DISPLAYED SEPARATELY AS A STANDARD BLACK-ON-WHITE SIGN. MIXING OF BLACK-ON-WHITE REGULATORY INFORMATION ON A BLACK-ON-ORANGE INFORMATION SIGN IS PROHIBITED.

IF THE MOTORIST IS BEING DETOURED OR IF AN ALTERNATE ROUTE IS PROVIDED, THE ROUTE SHOULD BE SIGNED WITH ASSEMBLIES CONSISTING OF THE APPROPRIATE BLACK-ON-ORANGE DETOUR OR ALT MARKER WITH A STANDARD ROUTE MARKER AND ARROW PLATE. IF MORE TARGET VALUE IS DESIRED, THIS TRAIL BLAZER INFORMATION MAY BE SHOWN ON AN ORANGE PANEL (OMUTCD SECTION 2D.32).

ROUTE SIGN ASSEMBLIES SHALL BE SIZED ACCORDING TO THE TYPE OF ROAD ON WHICH THEY ARE LOCATED IN ACCORDANCE WITH THE OMUTCD.

SUPPORTS FOR SIGN INSTALLATIONS SHALL CONFORM TO ALL EXISTING STANDARDS FOR PERMANENT SIGNS. THESE SIGNS SHOULD NOT BE ATTACHED TO EXISTING SUPPORTS.

WHERE THE PLANS CALL FOR AN OVERLAY TO COVER A PORTION OF AN EXISTING SIGN, THE OVERLAY SHALL BE BLACK-ON-ORANGE. LETTER SIZES SHOULD BE THE SAME AS ON THE EXISTING SIGNS. WHEN LANE ARROWS ARE TO BE COVERED, A BLANK OVERLAY SHOULD BE PLACED OVER EACH OF THE AFFECTED ARROWS. WHEN A RAMP IS BEING CLOSED, RATHER THAN USING A BLANK OVERLAY TO COVER THE ENTIRE SIGN, THE LEGEND "EXIT CLOSED" (W20-H15) SHOULD BE USED ON A DIAGONAL OVERLAY (LOWER LEFT TO UPPER RIGHT) ON THE SIGN. THE SIZE OF LETTERING ON OVERLAYS AND THE SIZE OF THE OVERLAY ARE INDICATED IN THE PLANS. THE MINIMUM LETTER SIZE FOR THE DIAGONAL "EXIT CLOSED" (W20-H15) OVERLAY SHALL BE 12" C.

ALL ADVANCE WORK ZONE INFORMATION SIGN INSTALLATIONS LOCATED OUTSIDE OF THE PROJECT WORK LIMITS SHALL BE PAID FOR UNDER APPROPRIATE 630 ITEMS (SIGNS, SUPPORTS, CONCRETE, BREAKAWAY CONNECTION, OVERLAYS, REMOVALS, ETC.).

NOTIFICATION OF TRAFFIC RESTRICTIONS

THROUGHOUT THE DURATION OF THE PROJECT, THE CONTRACTOR SHALL NOTIFY THE PROJECT ENGINEER IN WRITING OF ALL TRAFFIC RESTRICTIONS AND UPCOMING MAINTENANCE OF TRAFFIC CHANGES. THE CONTRACTOR SHALL ENSURE THE WRITING OF ALL TRAFFIC RESTRICTIONS AND UPCOMING MAINTENANCE OF TRAFFIC CHANGES. THE CONTRACTOR SHALL ENSURE THE WRITTEN NOTIFICATION IS SUBMITTED IN A TIMELY MANNER TO ALLOW THE PROJECT ENGINEER TO MEET THE REQUIRED TIME FRAMES SET FORTH IN THE TABLE BELOW TO INFORM

THE SPECIAL HAULING PERMITS SECTION AND THE DISTRICT PUBLIC INFORMATION OFFICE (PIO).

NOTIFICATION OF TRAFFIC RESTRICTIONS (CON'T)

CONTACT INFORMATION:
DISTRICT PUBLIC INFORMATION OFFICER BY EMAIL AT DOT.D08.PIO@DOT.OHIO.GOV

DISTRICT PERMIT SECTION BY EMAIL AT D08.PERMITS@DOT.OHIO.GOV

CENTRAL OFFICE SPECIAL HAUL PERMITS SECTION BY EMAIL AT HAULING.PERMITS@DOT.OHIO.GOV

DISTRICT TRAFFIC, DETOUR SECTION BY EMAIL AT DOT.D08.DETOURS@DOT.OHIO.GOV

THIS NOTIFICATION SHALL BE RECEIVED BY THE PROJECT ENGINEER PRIOR TO THE PHYSICAL SETUP OF ANY APPLICABLE SIGNS OR MESSAGE BOARDS. INFORMATION SHOULD INCLUDE, BUT IS NOT LIMITED TO, ALL CONSTRUCTION ACTIVITIES THAT IMPACT OR INTERFERE WITH TRAFFIC AND SHALL LIST THE SPECIFIC LOCATION, TYPE OF WORK, ROAD STATUS, DATE AND TIME OF RESTRICTION, DURATION OF RESTRICTION, NUMBER OF LANES MAINTAINED, NUMBER OF LANES CLOSED, MINIMUM VERTICAL CLEARANCE, MINIMUM WIDTH OF DRIVABLE PAVEMENT, DETOUR ROUTES, IF APPLICABLE, AND ANY OTHER INFORMATION REQUESTED BY THE PROJECT ENGINEER.

NOTIFICATION TIME TABLE		
ITEM	DURATION OF CLOSURE	NOTICE DUE TO PERMITS & PIO
RAMP & ROAD CLOSURES	>= 2 WEEKS	21 CALENDAR DAYS PRIOR TO CLOSURE
	> 12HOURS & < 2 WEEKS	14 CALENDAR DAYS PRIOR TO CLOSURE
	< 12 HOURS	4 CALENDAR DAYS PRIOR TO CLOSURE
LANE CLOSURES & RESTRICTIONS	>= 2 WEEKS	14 CALENDAR DAYS PRIOR TO CLOSURE
	< 2 WEEKS	5 BUSINESS DAYS PRIOR TO CLOSURE
START OF CONSTRUCTION & TRAFFIC PATTERN CHANGES	N/A	14 CALENDAR DAYS PRIOR TO IMPLEMENTATION

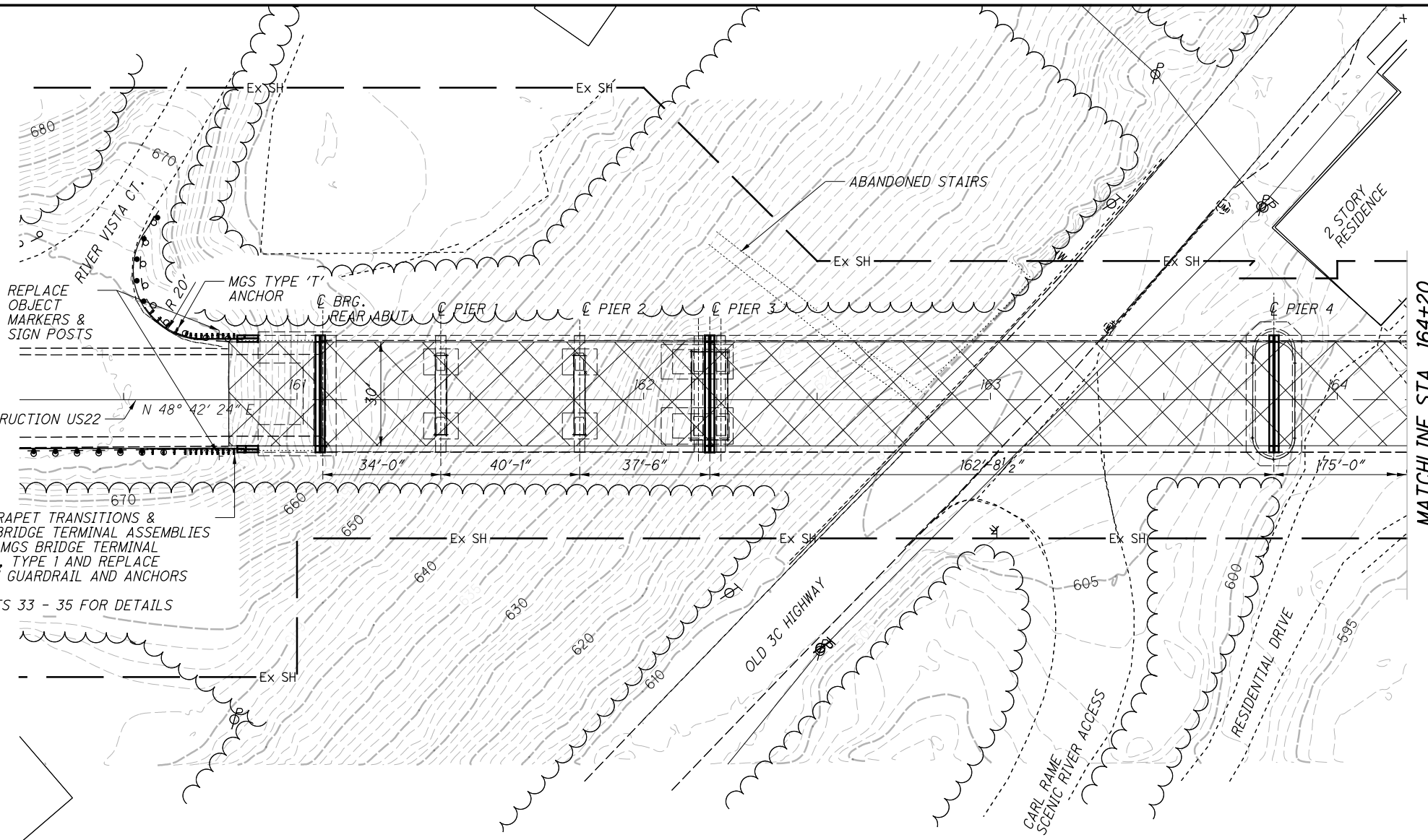
ANY UNFORESEEN CONDITIONS NOT SPECIFIED IN THE PLANS REQUIRING TRAFFIC RESTRICTIONS SHALL ALSO BE REPORTED TO THE PROJECT ENGINEER USING THE NOTIFICATION TIME TABLE.

WINDOW CONTRACT TABLE (PER PN 129)		
LOCATION & DESCRIPTION OF CRITICAL WORK	CALENDAR DAYS TO COMPLETE	DISINCENTIVE \$ PER DAY
512 - CONCRETE SEALING & 514 - PAINTING WORK AT WAR-SR 48-8.63	120 (*)	PER CMS 108.07

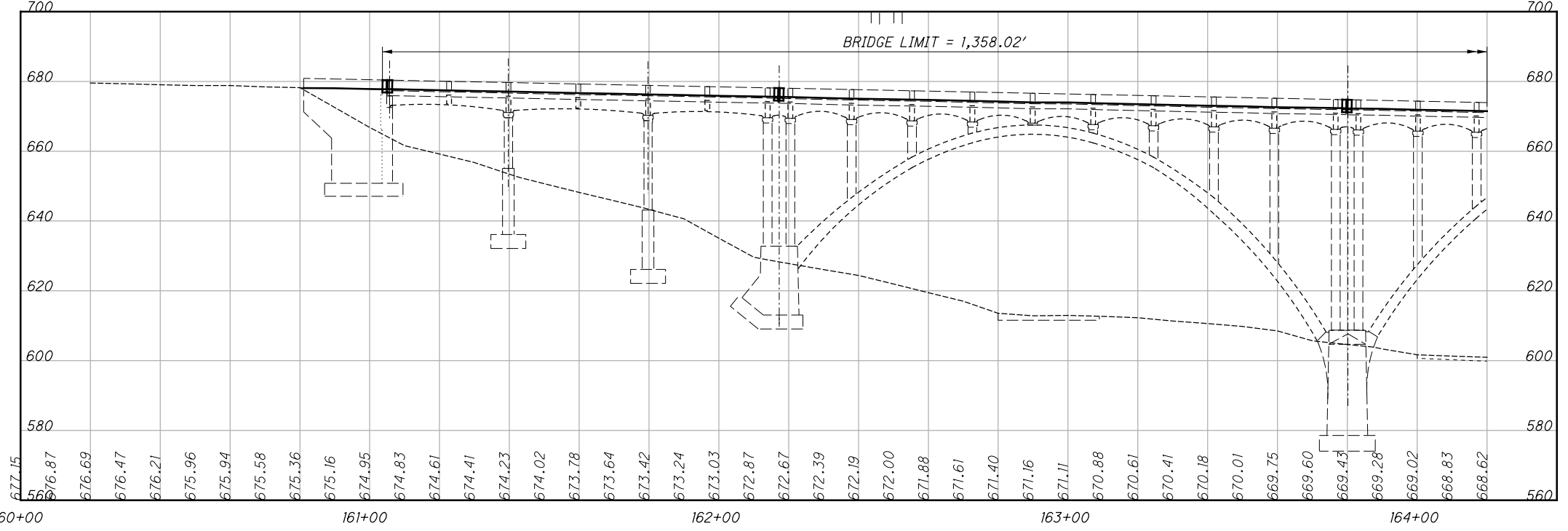
(*) - PAINTING MAY BE SUSPENDED FROM NOVEMBER 1st THRU APRIL 15th.

A+B INNOVATIVE BIDDING CONTRACT TABLE (PER PN 125)				
LOCATION AND DESCRIPTION OF CRITICAL WORK	MINIMUM DAYS	MAXIMUM DAYS	INCENTIVE/ DISINCENTIVE \$ PER DAY	MAXIMUM INCENTIVE \$
ALL WORK AT WAR-US 22-3.03	30	60	\$11,600	\$116,000
ALL WORK AT WAR-SR 48-8.63 NOT INCLUDING 512 - CONCRETE SEALING AND 514 - PAINTING	75	120	\$16,500	\$165,000

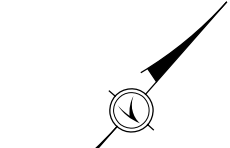
I:\ProjectData\WAR\103849_WAR-22-0303\Design\Structures\WAR022_0303_Sheets\R022_0303_SP001.dgn Sheet 1/8/2020 11:16:41 AM chowrd4



PLAN



PROFILE ALONG \hat{C} CONSTRUCTION US 22



NOTES

1. EARTHWORK LIMITS SHOWN ARE APPROXIMATE. ACTUAL SLOPES SHALL CONFORM TO PLAN CROSS SECTIONS.
2. ROADWAY QUANTITIES HAVE BEEN CARRIED TO THE GENERAL SUMMARY.
3. PLACE TYPE 4-C CURB BELOW NEW BRIDGE TERMINAL ASSEMBLIES PER STD. DWG. MGS-3.1. TOTAL QTY. = 72 FEET

LEGEND

PROPOSED MICROSILICA CONCRETE OVERLAY

HYDRAULIC DATA

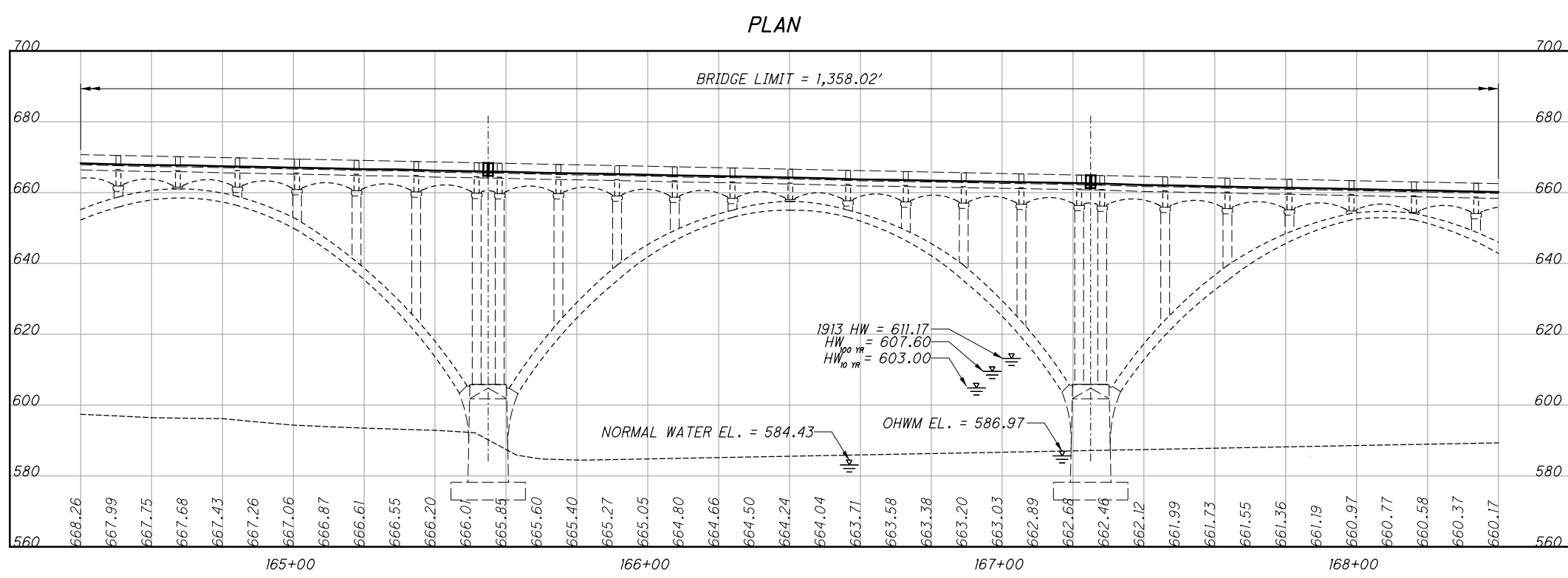
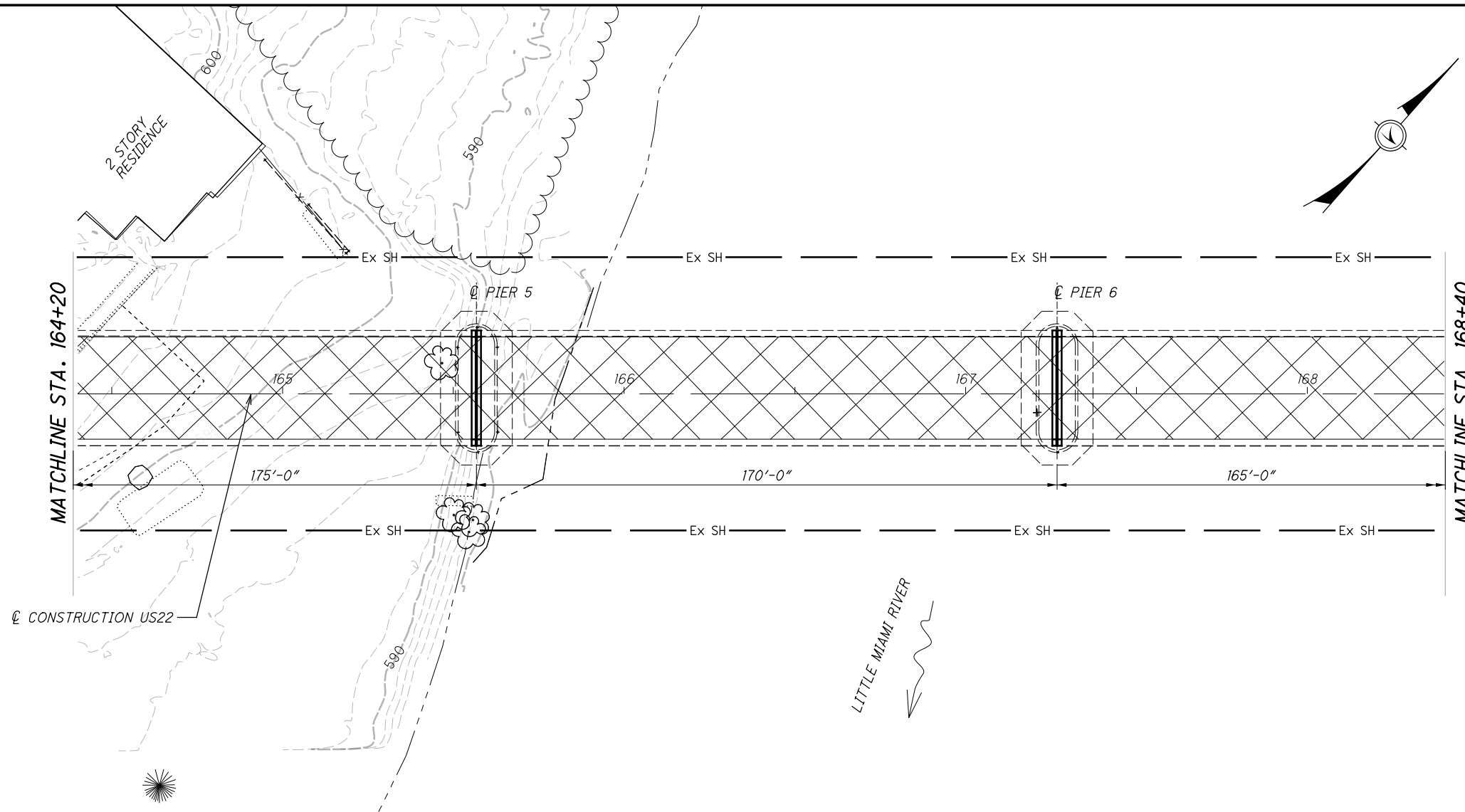
DRAINAGE AREA = 1070 SQ. MILES
 Q (100) = 77800 CFS V (100) = 8.2 FT/S

STRUCTURE CLEARS THE 100 YEAR DESIGN HW BY 34.4 FEET.

EXISTING STRUCTURE	
TYPE: COMPOSITE PRESTRESSED CONCRETE BOX BEAMS SUPPORTED ON CONCRETE FLOOR BEAMS, OPEN SPANDREL ARCHES, CONCRETE CAP & COLUMN PIERS AND ABUTMENTS	
SPANS: VARIES FROM 34.08 FEET TO 170.00 FEET	
ROADWAY: 30'-0" TOE/TOE PARAPET	
LOADING: HS 20-44 AND THE ALTERNATE MILITARY LOADING	
SKEW: NONE	
APPROACH SLABS: 25'-0" (AS-1-81)	
ALIGNMENT: TANGENT	
CROWN: 0.0156 FT/FT	
STRUCTURAL FILE NUMBER: 8300038	
DATE BUILT: CIRCA 1936	
DISPOSITION: DECK OVERLAY & REHAB EXP. JOINTS	
WEARING SURFACE: MONOLITHIC CONCRETE	
PROPOSED STRUCTURE	
TYPE: COMPOSITE PRESTRESSED CONCRETE BOX BEAMS SUPPORTED ON CONCRETE FLOOR BEAMS, OPEN SPANDREL ARCHES, CONCRETE CAP & COLUMN PIERS AND ABUTMENTS	
SPANS: VARIES FROM 34.08 FEET TO 170.00 FEET	
ROADWAY: 30'-0" TOE/TOE PARAPET	
LOADING: HS 20-44 AND THE ALTERNATE MILITARY LOADING	
SKEW: NONE	
APPROACH SLABS: 25'-0" LONG (AS-1-81)	
ALIGNMENT: TANGENT	
CROWN: 0.0156 FT/FT	
COORDINATES: LATITUDE N39°19'8"	
LONGITUDE W84°15'15"	
WEARING SURFACE: 1/4" MICROSILICA CONCRETE OVERLAY WITH MICROFIBERS	

DESIGN AGENCY	OHIO DEPT OF TRANSPORTATION
DATE	MM/DD/YY
REVIEWED	XXX
DRAWN	NH
DESIGNED	CAH
WARREN COUNTY	STA. 161+03.64
BRIDGE NO.	WAR-22/3-3.03 OVER
STRUCTURE FILE NUMBER	8300038
CHECKED	GTF
DESIGN AGENCY	DISTRICT 8 BRIDGE OFFICE
WARREN COUNTY	STA. 174+61.66
BRIDGE NO.	LITTLE MIAMI RIVER, FOSTER-MAINVILLE RD.
WAR-22/48-	
3-03/8.63	
PID No. 103849	
1/20	
16	
56	

I:\ProjectData\WAR-22-0303\Design\Structures\WAR22_0303_Sheets\022_0303_SPO02.dgn Sheet 1/8/2020 11:16:46 AM choward4



NOTES

EARTHWORK LIMITS SHOWN ARE APPROXIMATE. ACTUAL SLOPES SHALL CONFORM TO PLAN CROSS SECTIONS.

LEGEND

PROPOSED MICROSILICA CONCRETE OVERLAY

HYDRAULIC DATA

DRAINAGE AREA = 1070 SQ. MILES
 Q (100) = 77800 CFS V (100) = 8.2 FT/S

STRUCTURE CLEARS THE 100 YEAR DESIGN HW BY 34.4 FEET.

EXISTING STRUCTURE

TYPE: COMPOSITE PRESTRESSED CONCRETE BOX BEAMS SUPPORTED ON CONCRETE FLOOR BEAMS, OPEN SPANDREL ARCHES, CONCRETE CAP & COLUMN PIERS AND ABUTMENTS

SPANS: VARIES FROM 34.08 FEET TO 170.00 FEET
 ROADWAY: 30'-0" TOE/TOE PARAPET
 LOADING: HS 20-44 AND THE ALTERNATE MILITARY LOADING
 SKEW: NONE
 APPROACH SLABS: 25'-0" (AS-1-81)
 ALIGNMENT: TANGENT
 CROWN: 0.0156 FT/FT
 STRUCTURAL FILE NUMBER: 8300038
 DATE BUILT: CIRCA 1936
 DISPOSITION: DECK OVERLAY & REHAB EXP. JOINTS
 WEARING SURFACE: MONOLITHIC CONCRETE

PROPOSED STRUCTURE

TYPE: COMPOSITE PRESTRESSED CONCRETE BOX BEAMS SUPPORTED ON CONCRETE FLOOR BEAMS, OPEN SPANDREL ARCHES, CONCRETE CAP & COLUMN PIERS AND ABUTMENTS

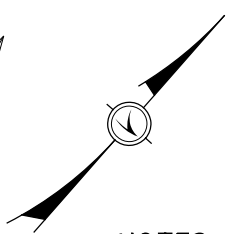
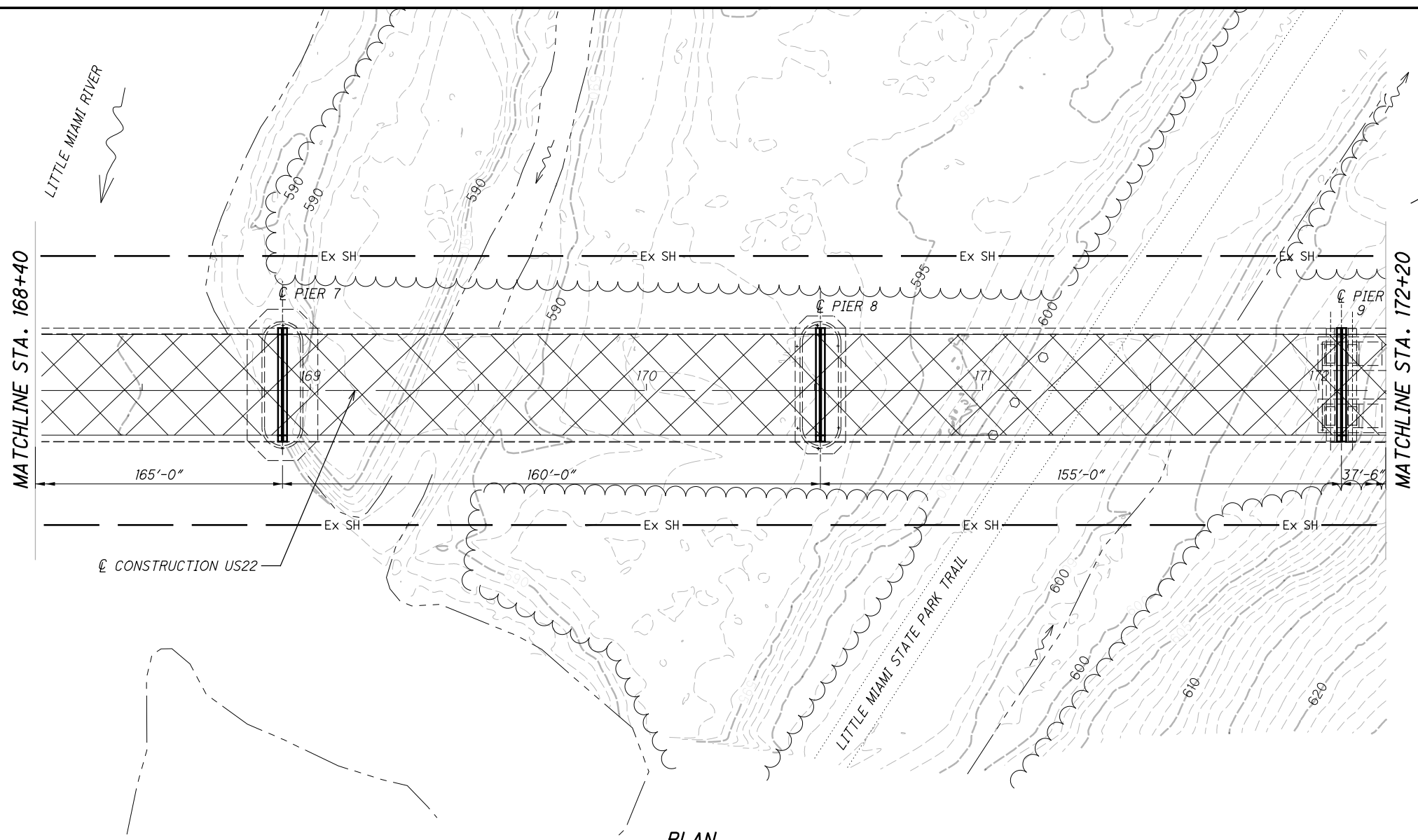
SPANS: VARIES FROM 34.08 FEET TO 170.00 FEET
 ROADWAY: 30'-0" TOE/TOE PARAPET
 LOADING: HS 20-44 AND THE ALTERNATE MILITARY LOADING
 SKEW: NONE
 APPROACH SLABS: 25'-0" LONG (AS-1-81)
 ALIGNMENT: TANGENT
 CROWN: 0.0156 FT/FT

COORDINATES: LATITUDE N39°19'8"
 LONGITUDE W84°15'15"

WEARING SURFACE: 1/4" MICROSILICA CONCRETE OVERLAY WITH MICROFIBERS

DESIGNED CAH	DRAWN NH	REVIEWED XXX	DATE MM/DD/YY XXX	DESIGN AGENCY OHIO DEPT OF TRANSPORTATION DISTRICT 8 BRIDGE OFFICE
CHECKED GTF	REVISED XXX	STRUCTURE FILE NUMBER 8300038		
WARREN COUNTY STA. 161+00 STA. 165+00		WAR-22/48- 3-03/8.63 PID No. 103849		
WARREN COUNTY STA. 161+00 STA. 165+00		BRIDGE NO. WAR-22/3-3.03 OVER OLD 3C HWY, LITTLE MIAMI RIVER, FOSTER-MAINVILLE RD.		
2/20		17/56		

I:\ProjectData\WAR-22-0303\Design\Structures\WAR22-0303_Sheets\0303_SP003.dgn Sheet 1/8/2020 1:30:11 PM choward



NOTES

EARTHWORK LIMITS SHOWN ARE APPROXIMATE. ACTUAL SLOPES SHALL CONFORM TO PLAN CROSS SECTIONS.

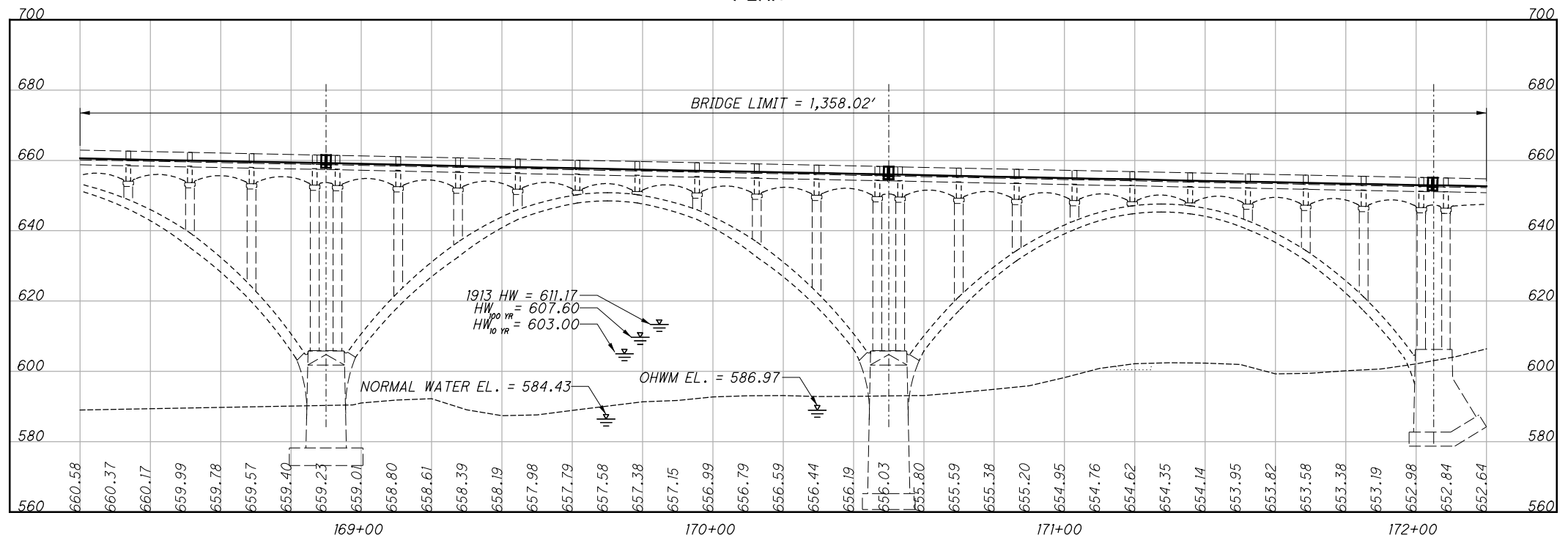
LEGEND

PROPOSED MICROSILICA CONCRETE OVERLAY

HYDRAULIC DATA

DRAINAGE AREA = 1070 SQ. MILES
 Q (100) = 77800 CFS V (100) = 8.2 FT/S

STRUCTURE CLEARS THE 100 YEAR DESIGN HW BY 34.4 FEET.



EXISTING STRUCTURE

TYPE: COMPOSITE PRESTRESSED CONCRETE BOX BEAMS SUPPORTED ON CONCRETE FLOOR BEAMS, OPEN SPANDREL ARCHES, CONCRETE CAP & COLUMN PIERS AND ABUTMENTS

SPANS: VARIES FROM 34.08 FEET TO 170.00 FEET
 ROADWAY: 30'-0" TOE/TOE PARAPET
 LOADING: HS 20-44 AND THE ALTERNATE MILITARY LOADING
 SKEW: NONE
 APPROACH SLABS: 25'-0" (AS-1-81)
 ALIGNMENT: TANGENT
 CROWN: 0.0156 FT/FT
 STRUCTURAL FILE NUMBER: 8300038
 DATE BUILT: CIRCA 1936
 DISPOSITION: DECK OVERLAY & REHAB EXP. JOINTS
 WEARING SURFACE: MONOLITHIC CONCRETE

PROPOSED STRUCTURE

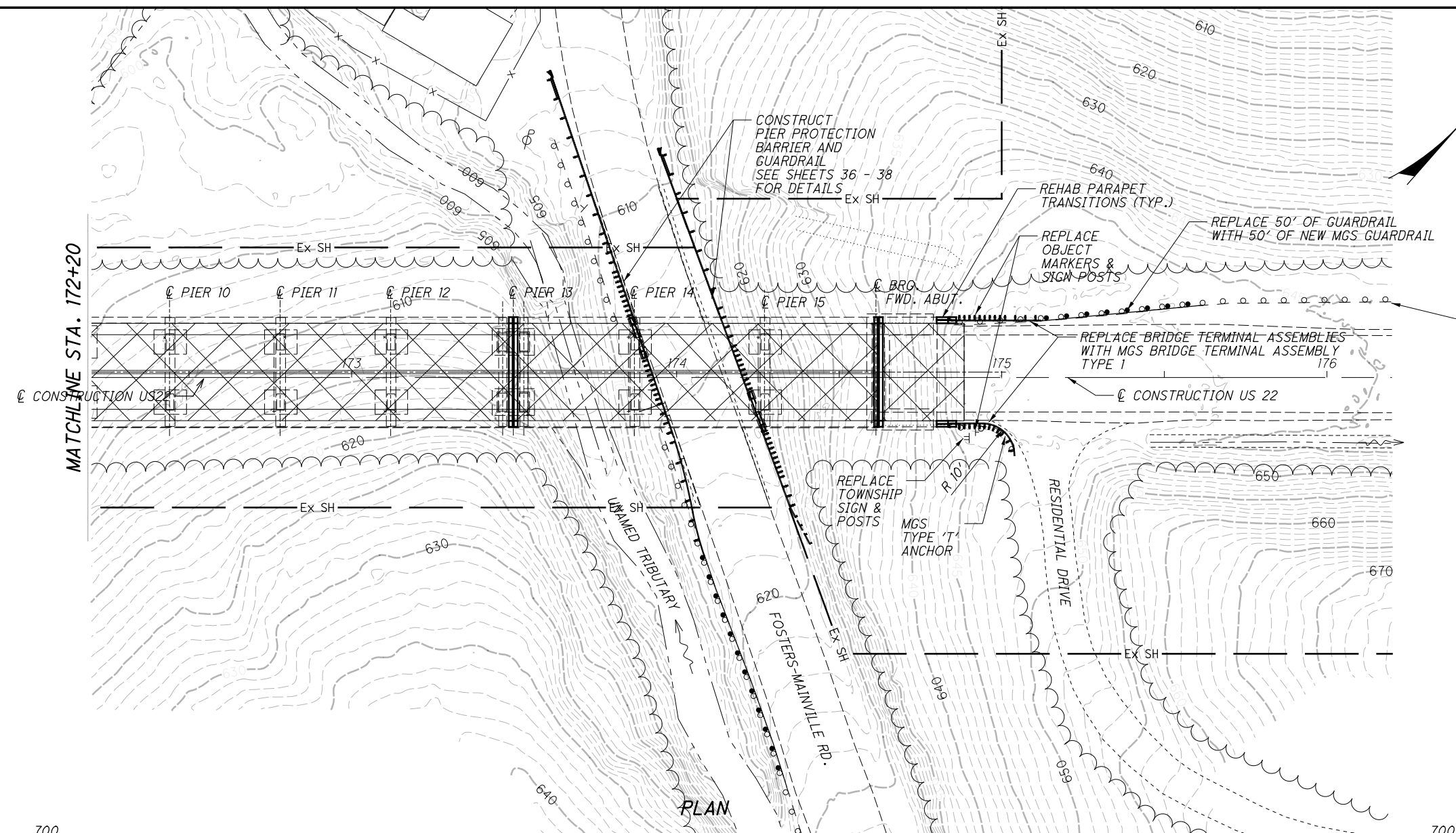
TYPE: COMPOSITE PRESTRESSED CONCRETE BOX BEAMS SUPPORTED ON CONCRETE FLOOR BEAMS, OPEN SPANDREL ARCHES, CONCRETE CAP & COLUMN PIERS AND ABUTMENTS

SPANS: VARIES FROM 34.08 FEET TO 170.00 FEET
 ROADWAY: 30'-0" TOE/TOE PARAPET
 LOADING: HS25 CASE II AND ALTERNATE MILITARY
 SKEW: NONE
 APPROACH SLABS: 25'-0" LONG (AS-1-81)
 ALIGNMENT: TANGENT
 CROWN: 0.0156 FT/FT

COORDINATES: LATITUDE N39°19'8"
 LONGITUDE W84°15'15"
 WEARING SURFACE: 1/4" MICROSILICA CONCRETE OVERLAY WITH MICROFIBERS

DESIGNED	CAH	CHECKED	GTF
DRAWN	NH	REVISED	XXX
REVIEWED	XXX	MM/DD/YY	STRUCTURE FILE NUMBER
DATE	XXX	MM/DD/YY	8300038
DESIGN AGENCY	OHIO DEPT OF TRANSPORTATION DISTRICT 8 BRIDGE OFFICE		
WARREN COUNTY	STA. 161+00 STA. 165+00		
SITE PLAN - 3			
BRIDGE NO. WAR-22/3-3.03 OVER OLD 3C HWY, LITTLE MIAMI RIVER, FOSTER-MAINVILLE RD.			
WAR-22/48-	3.03/8.63		
PID No. 103849			
3/20			
18/56			

I:\ProjectData\WAR-22-0303\Design\Structures\WAR22-0303\Sheets\R022-0303_SP004.dgn Sheet 1/8/2020 11:16:50 AM choward4



NOTES

EARTHWORK LIMITS SHOWN ARE APPROXIMATE. ACTUAL SLOPES SHALL CONFORM TO PLAN CROSS SECTIONS.

REPLACE EX. TYPE 'A' ANCHOR AND 75' OF GUARDRAIL WITH NEW MGS TYPE E ANCHOR AND 50' OF NEW MGS GUARDRAIL AT END OF GUARDRAIL RUN

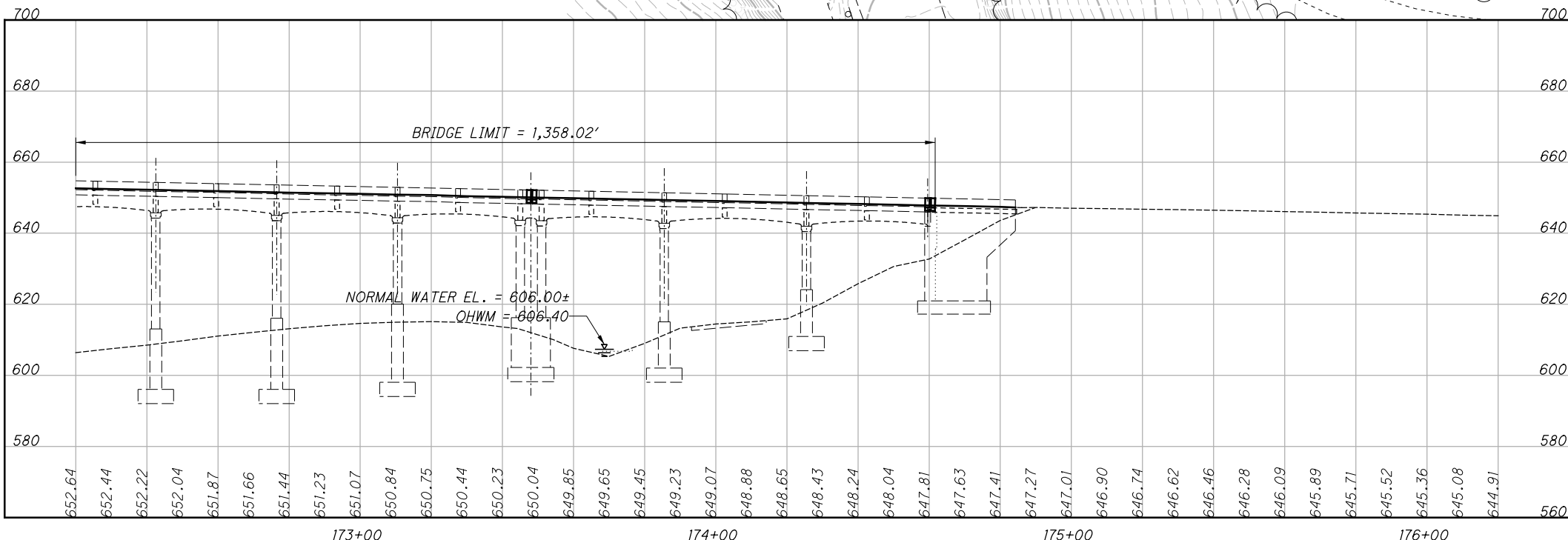
LEGEND

PROPOSED MICROSILICA CONCRETE OVERLAY

HYDRAULIC DATA

DRAINAGE AREA = 1070 SQ. MILES
 Q (100) = 77800 CFS V (100) = 8.2 FT/S

STRUCTURE CLEARS THE 100 YEAR DESIGN HW BY 34.4 FEET.



PROFILE ALONG ϕ CONSTRUCTION US 22

EXISTING STRUCTURE

TYPE: COMPOSITE PRESTRESSED CONCRETE BOX BEAMS SUPPORTED ON CONCRETE FLOOR BEAMS, OPEN SPANDREL ARCHES, CONCRETE CAP & COLUMN PIERS AND ABUTMENTS

SPANS: VARIES FROM 34.08 FEET TO 170.00 FEET
 ROADWAY: 30'-0" TOE/TOE PARAPET
 LOADING: HS 20-44 AND THE ALTERNATE MILITARY LOADING
 SKEW: NONE
 APPROACH SLABS: 25'-0" (AS-1-81)
 ALIGNMENT: TANGENT
 CROWN: 0.0156 FT/FT
 STRUCTURAL FILE NUMBER: 8300038
 DATE BUILT: CIRCA 1936
 DISPOSITION: DECK OVERLAY & REHAB EXP. JOINTS
 WEARING SURFACE: MONOLITHIC CONCRETE

PROPOSED STRUCTURE

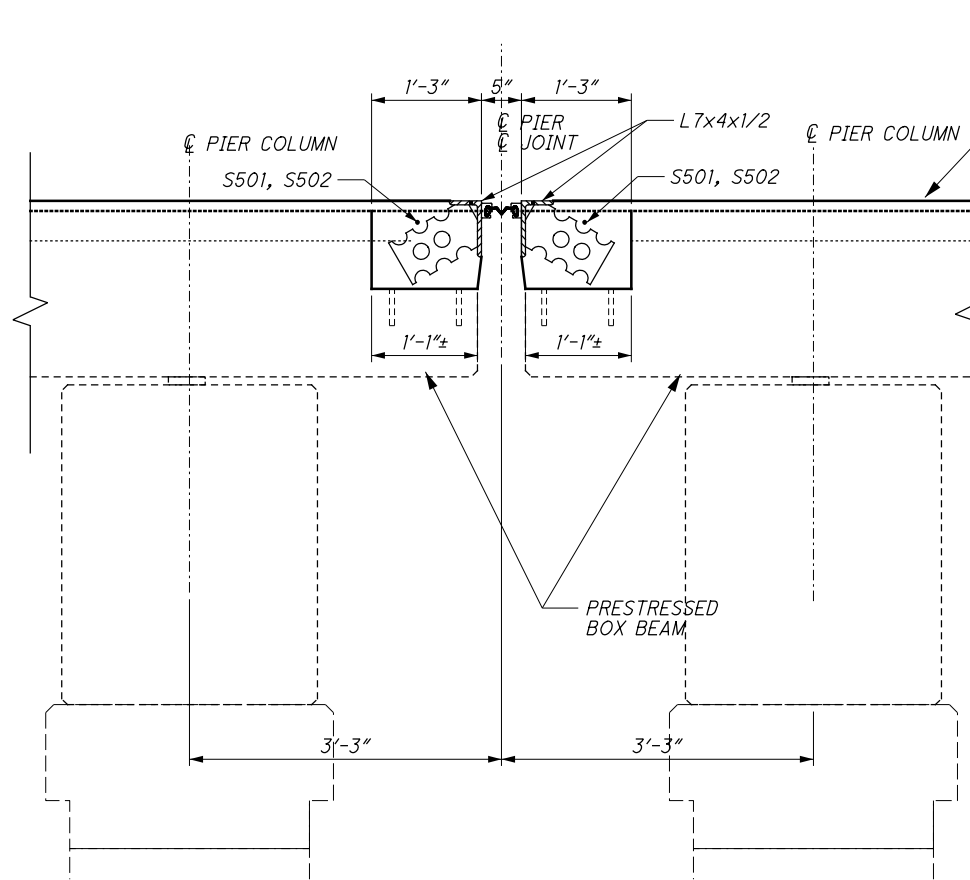
TYPE: COMPOSITE PRESTRESSED CONCRETE BOX BEAMS SUPPORTED ON CONCRETE FLOOR BEAMS, OPEN SPANDREL ARCHES, CONCRETE CAP & COLUMN PIERS AND ABUTMENTS

SPANS: VARIES FROM 34.08 FEET TO 170.00 FEET
 ROADWAY: 30'-0" TOE/TOE PARAPET
 LOADING: HS 20-44 AND THE ALTERNATE MILITARY LOADING
 SKEW: NONE
 APPROACH SLABS: 25'-0" LONG (AS-1-81)
 ALIGNMENT: TANGENT
 CROWN: 0.0156 FT/FT

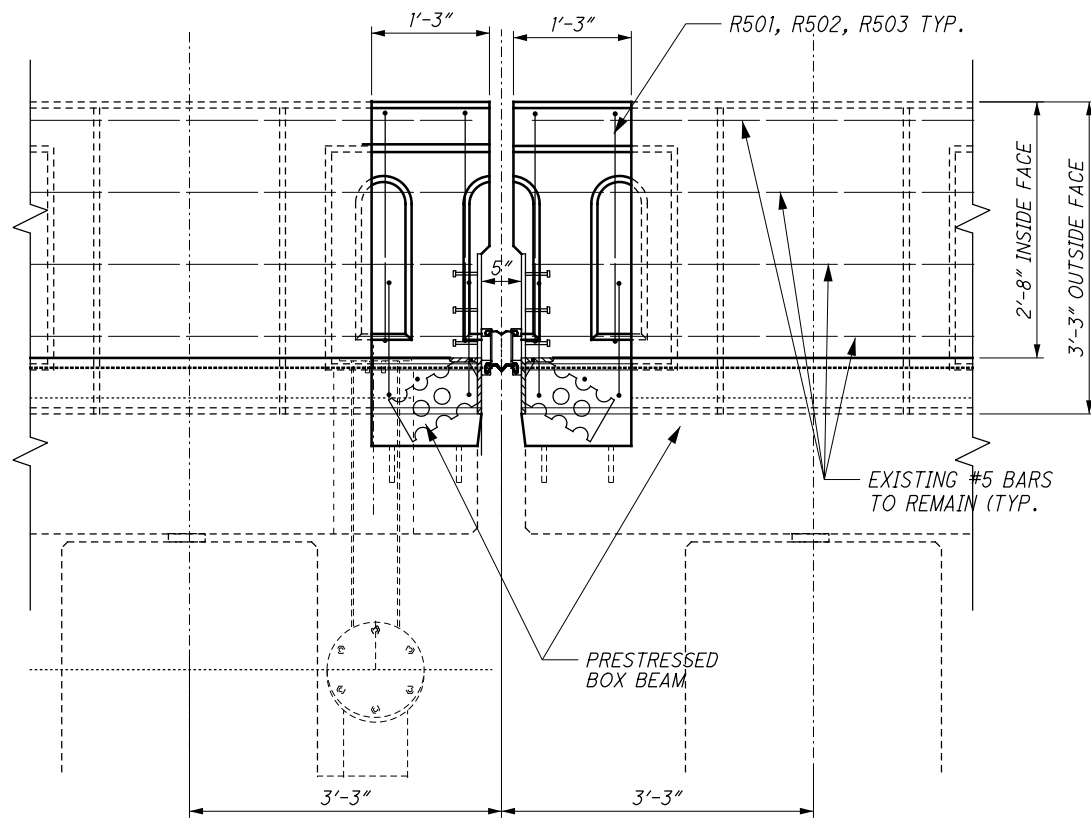
COORDINATES: LATITUDE N39°19'8"
 LONGITUDE W84°15'15"
 WEARING SURFACE: 1/4" MICROSILICA CONCRETE OVERLAY WITH MICROFIBERS

DESIGN AGENCY	OHIO DEPT OF TRANSPORTATION
DATE	MM/DD/YY
REVIEWED	XXX
STRUCTURE FILE NUMBER	8300038
DRAWN	NH
CHECKED	XXX
DESIGNED	CAH
GTF	
WARREN COUNTY	STA. 161+00
	STA. 165+00
SITE PLAN - 4	BRIDGE NO. WAR-22/3-3.03 OVER
	OLD 3C HWY, LITTLE MIAMI RIVER, FOSTER-MAINVILLE RD.
WAR-22/48-	
3.03/8.63	
PID No. 103849	
4/20	
19	
56	

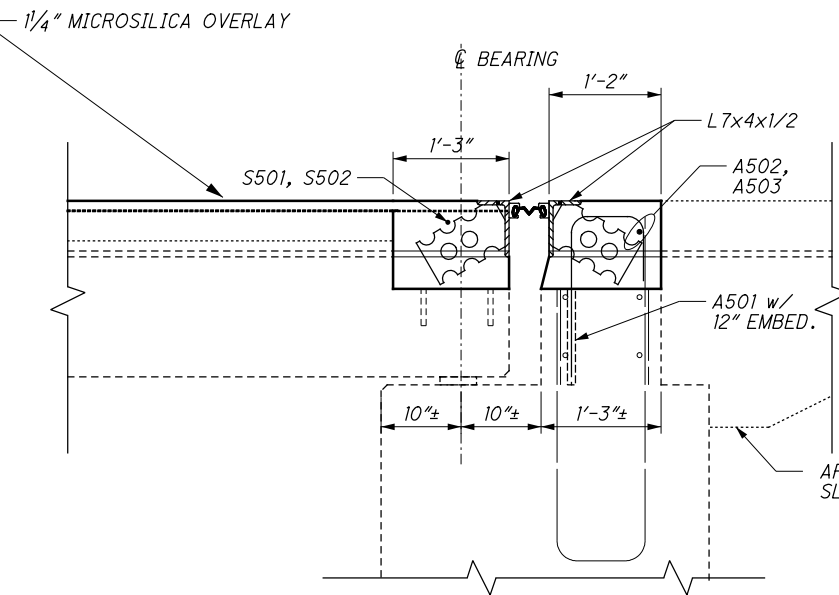
I:\ProjectData\WAR\103849_WAR-22-0303\Design\Structures\WAR022_0303_Sheets\R022_0303_SX001.dgn Sheet 1/8/2020 11:17:07 AM choward4



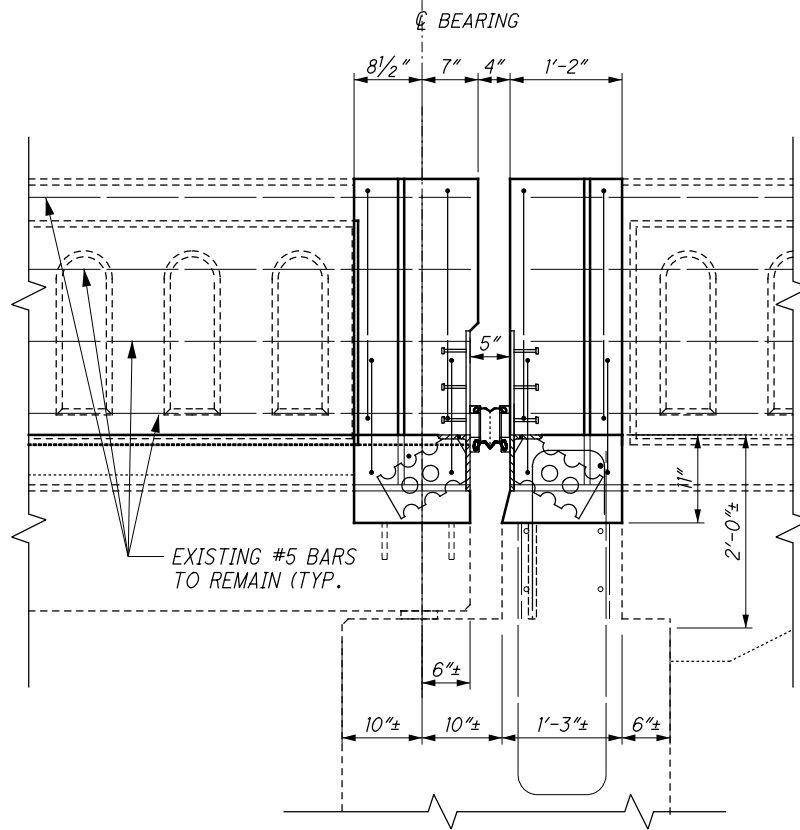
INTERMEDIATE EXPANSION JOINT



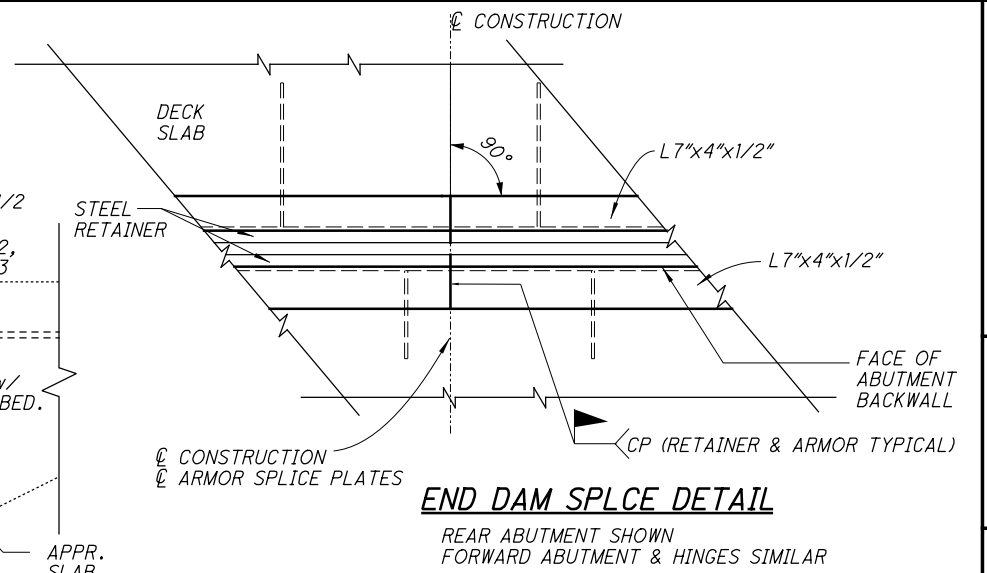
PARAPET AT INTERMEDIATE EXPANSION JOINT



ABUTMENT EXPANSION JOINT



PARAPET AT ABUTMENT EXPANSION JOINT



END DAM SPLCE DETAIL

REAR ABUTMENT SHOWN
FORWARD ABUTMENT & HINGES SIMILAR

**EXPANSION JOINT OPENING
TABLE FOR 4" GLAND**

AMBIENT TEMP (°F)	DIMENSION "A"	DIMENSION "A"
	REAR ABUT. & FWD. ABUT.	INTERMEDIATE EXPANSION JTS.
30°	2.37"	2.44"
40°	2.29"	2.31"
50°	2.21"	2.19"
60°	2.13"	2.06"
70°	2.05"	1.94"
80°	1.97"	1.81"
90°	1.89"	1.68"

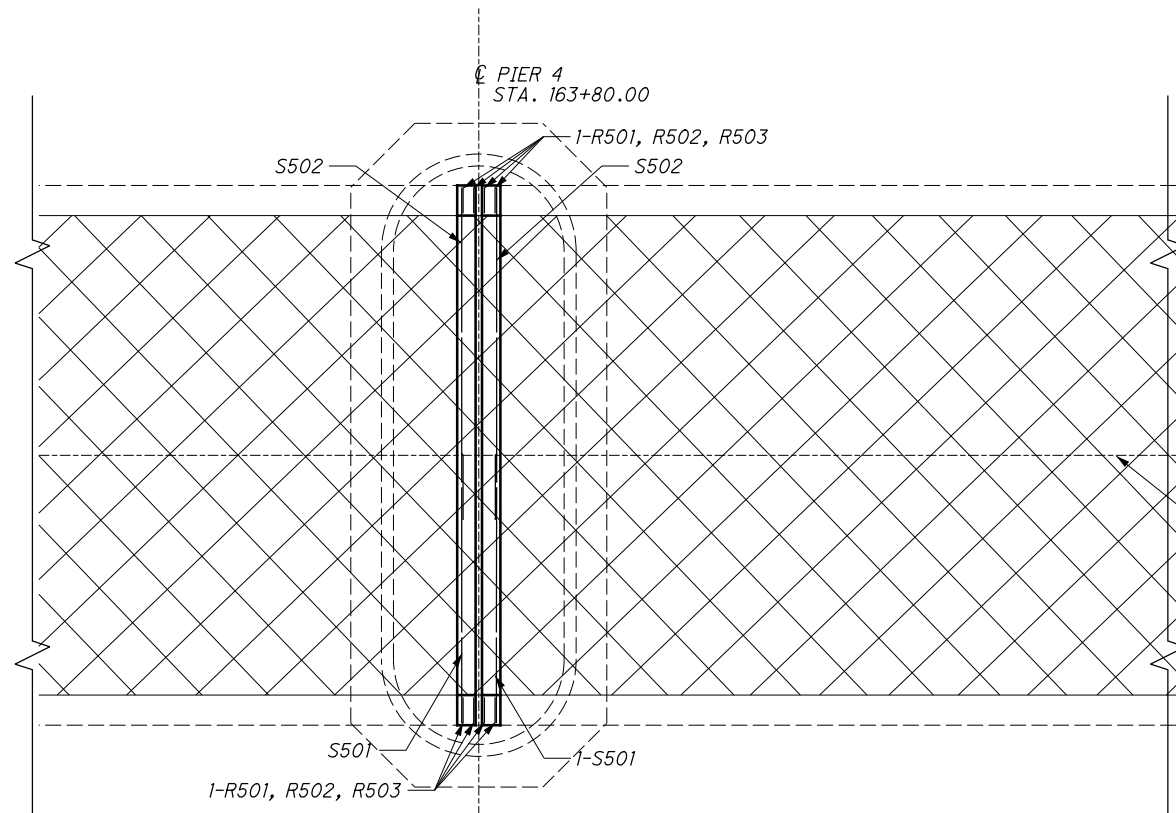
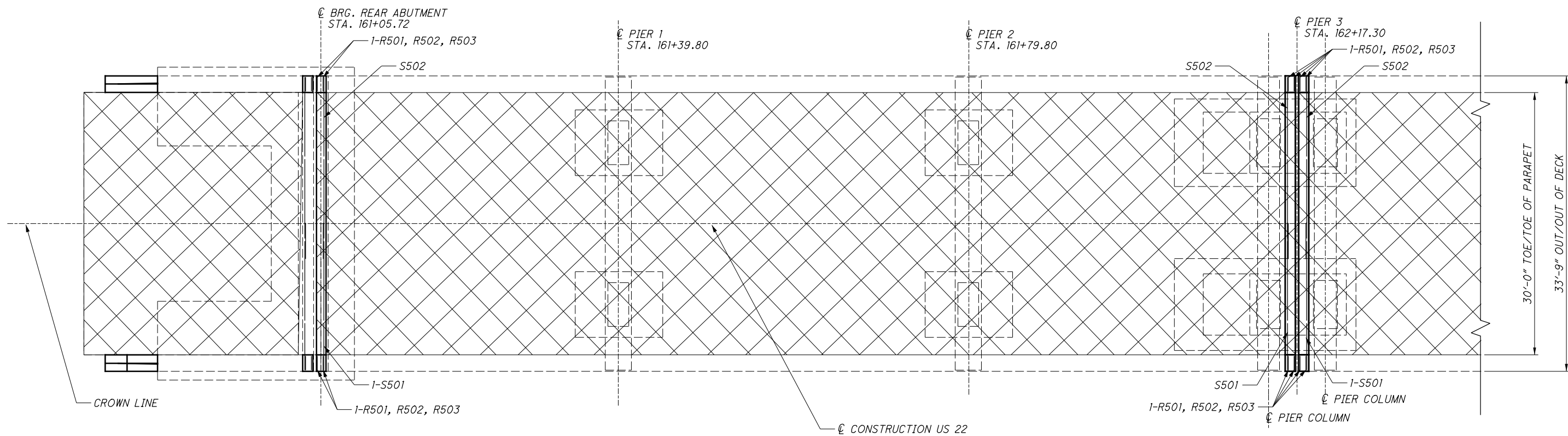
MINIMUM JOINT OPENING (DIMENSION 'A') AT THE TIME OF SEAL GLAND INSTALLATION SHALL NOT BE LESS THAN 2". IF THE JOINT OPENING IS LESS, INSTALLATION SHALL BE POSTPONED UNTIL THE TEMPERATURE DROPS A SUFFICIENT AMOUNT TO ALLOW THE 2" OPENING.

NOTES:

- SEE STD. DWG. EXJ-4-87 FOR ADDITIONAL INFORMATION.
- STRIP SEAL GLAND SHALL BE INSTALLED IN ONE CONTINUOUS PIECE AFTER COMPLETION OF THE END DAM INSTALLATION.
- PORTIONS OF THE STRIP SEAL EXPANSION JOINT ASSEMBLY THAT ARE ANGLED TO MEET THE TRANSVERSE DECK CROSS SLOPE SHALL BE CONNECTED AS SHOWN AT THE CL OF CONSTRUCTION USING COMPLETE PENETRATION FIELD WELDS AND ANY NEEDED SPLICE PLATES. WELDS SHALL BE GROUND SMOOTH. WELDS AND SPLICE PLATES SHALL BE INCLUDED WITH THE EXPANSION JOINT FOR PAYMENT.
- INSTALLATION OF SEAL: DURING INSTALLATION OF THE SUPPORT/ARMOR FOR THE SUPERSTRUCTURE SIDE OF THE EXPANSION JOINT SEAL, OBSERVE THE SEATING OF BEAMS ON BEARINGS TO ASSURE THAT POSITIVE BEARING IS MAINTAINED.
- ALL COSTS ASSOCIATED WITH THE ELASTOMERIC STRIP SEAL EXPANSION JOINT, ANCHOR PLATES, AND ANY REMAINING INCIDENTALS REQUIRED TO COMPLETE THE EXPANSION JOINT INSTALLATION SHALL BE INCLUDED WITH ITEM 516 - STRUCTURAL EXPANSION JOINT INCLUDING ELASTOMERIC STRIP SEAL, AS PER PLAN FOR PAYMENT.
- THE CONTRACTOR SHALL VERIFY DECK ELEVATIONS AND CROSS SLOPES PRIOR TO ORDERING EXPANSION JOINT. ANY COSTS ASSOCIATED WITH THIS WORK SHALL BE INCIDENTAL TO THE EXPANSION JOINT.
- RECONSTRUCT THE PARAPETS TO MATCH THE EXISTING AESTHETIC DETAILS.
- SEE SHEET 30 FOR DECK ELEVATIONS AT EXPANSION JOINTS.
- PROPOSED DECK OVERLAY SHALL EXTEND OVER TOP OF PORTIONS OF DECK THAT ARE REPLACED.

DESIGNED CAH	CHECKED GTF	DRAWN CAH	REVISED XXX	REVIEWED XXX	DATE MM/DD/YY XXX	DESIGN AGENCY OHIO DEPT OF TRANSPORTATION DISTRICT 8 BRIDGE OFFICE
EXPANSION JOINT DETAILS						STRUCTURE FILE NUMBER 8300038
BRIDGE NO. WAR-22/3-3.03 OVER						HWY, LITTLE MIAMI RIVER, FOSTER-MAINVILLE RD.
WAR-22/48 -						PID No. 103849
3.03/8.63						12/20
27						56

I:\ProjectData\WAR\103849_WAR-22-0303\Design\Structures\WAR022_0303_Sheets\022_0303_SD001.dgn Sheet 1/8/2020 11:17:21 AM chowrd4



LEGEND

 PROPOSED CONCRETE OVERLAY

DECK ELEVATIONS AT CROWN OF EXP. JOINTS

LOCATION	STATION	ELEVATION
REAR ABUT.	161+05.72	674.88±
PIER 3	162+17.30	672.72±
PIER 4	163+80.00	669.43±
PIER 5	165+55.00	665.93±
PIER 6	167+25.00	662.57±
PIER 7	168+90.00	659.23±
PIER 8	170+50.00	656.03±
PIER 9	172+05.00	652.91±
PIER 13	173+48.00	650.09±
FWD. ABUT.	174+59.58	647.81±

DECK ELEVATIONS SHALL BE VERIFIED BY THE CONTRACTOR PRIOR TO EXPANSION JOINT FABRICATION. COST SHALL BE INCIDENTAL TO THE EXPANSION JOINTS.

NOTES:

1. DECK AND PARAPET REBAR SHOWN AT PIER 4 IS SIMILAR AT PIERS 5,6,7 & 8.
2. SEE SHEET 32 FOR TYPICAL SUPERSTRUCTURE SECTIONS.

DECK PLAN

DECK PLAN - 1

BRIDGE NO. WAR-22/3-3.03 OVER
HWY, LITTLE MIAMI RIVER, FOSTER-MAINVILLE RD.

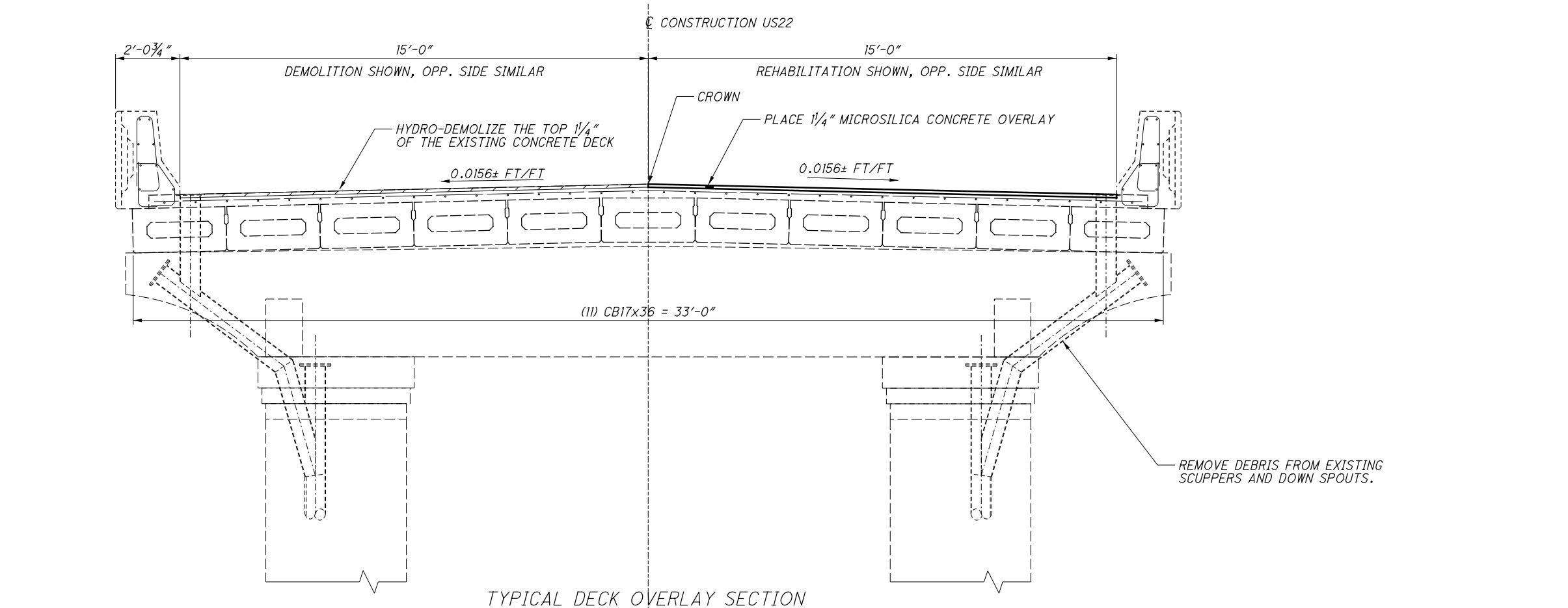
DESIGNED CAH	DRAWN CAH	REVIEWED XXX	DATE MM/DD/YY	DESIGN AGENCY OHIO DEPT OF TRANSPORTATION
CHECKED GTF	REVISED XXX	STRUCTURE FILE NUMBER 8300038		DISTRICT & BRIDGE OFFICE

WAR-22/48-
3.03/8.63
PID No. 103849

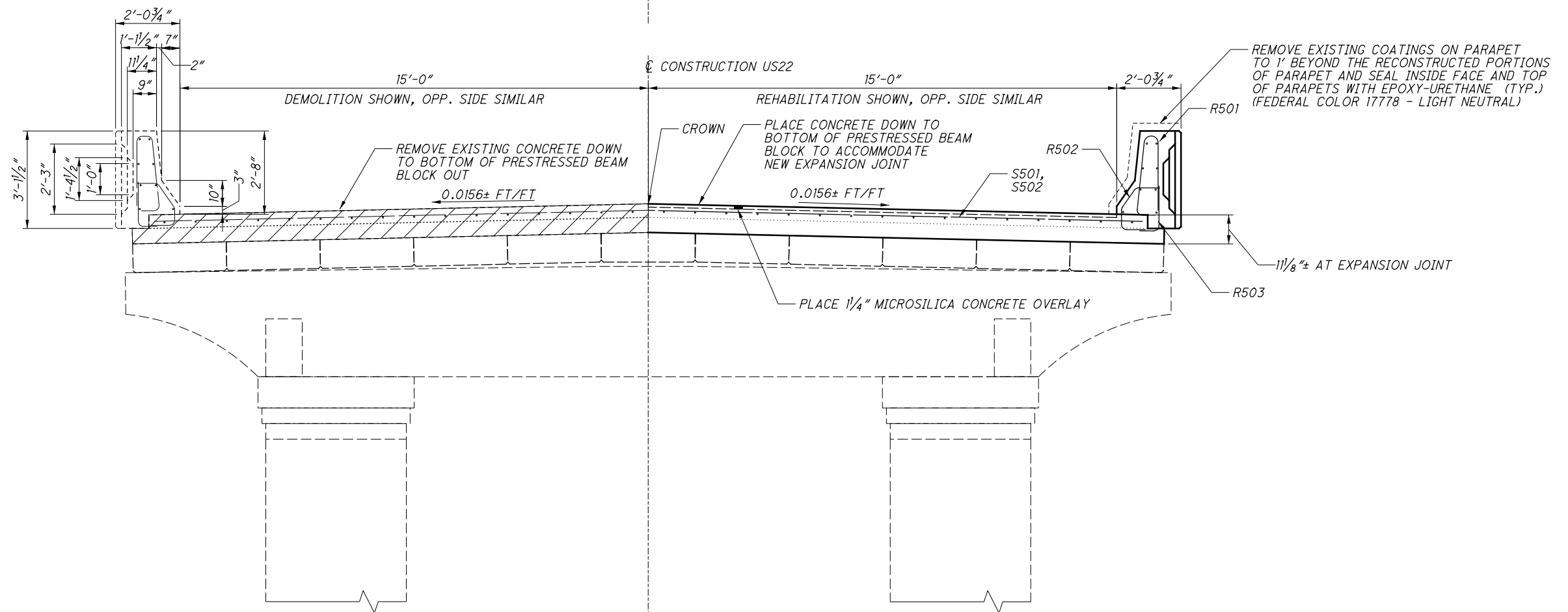
15 / 20

30
56

I:\ProjectData\WAR\103849_WAR-22-0303\Design\Structures\WAR022_0303_Sheets\R022_0303_ST001.dgn Sheet 1/8/2020 11:17:27 AM choward4



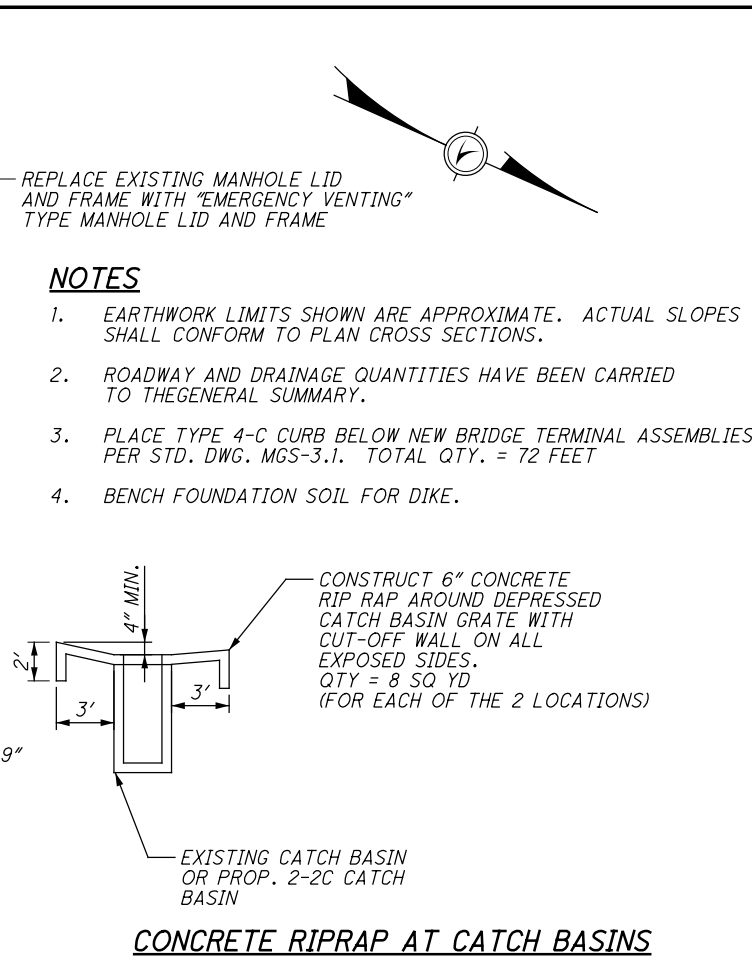
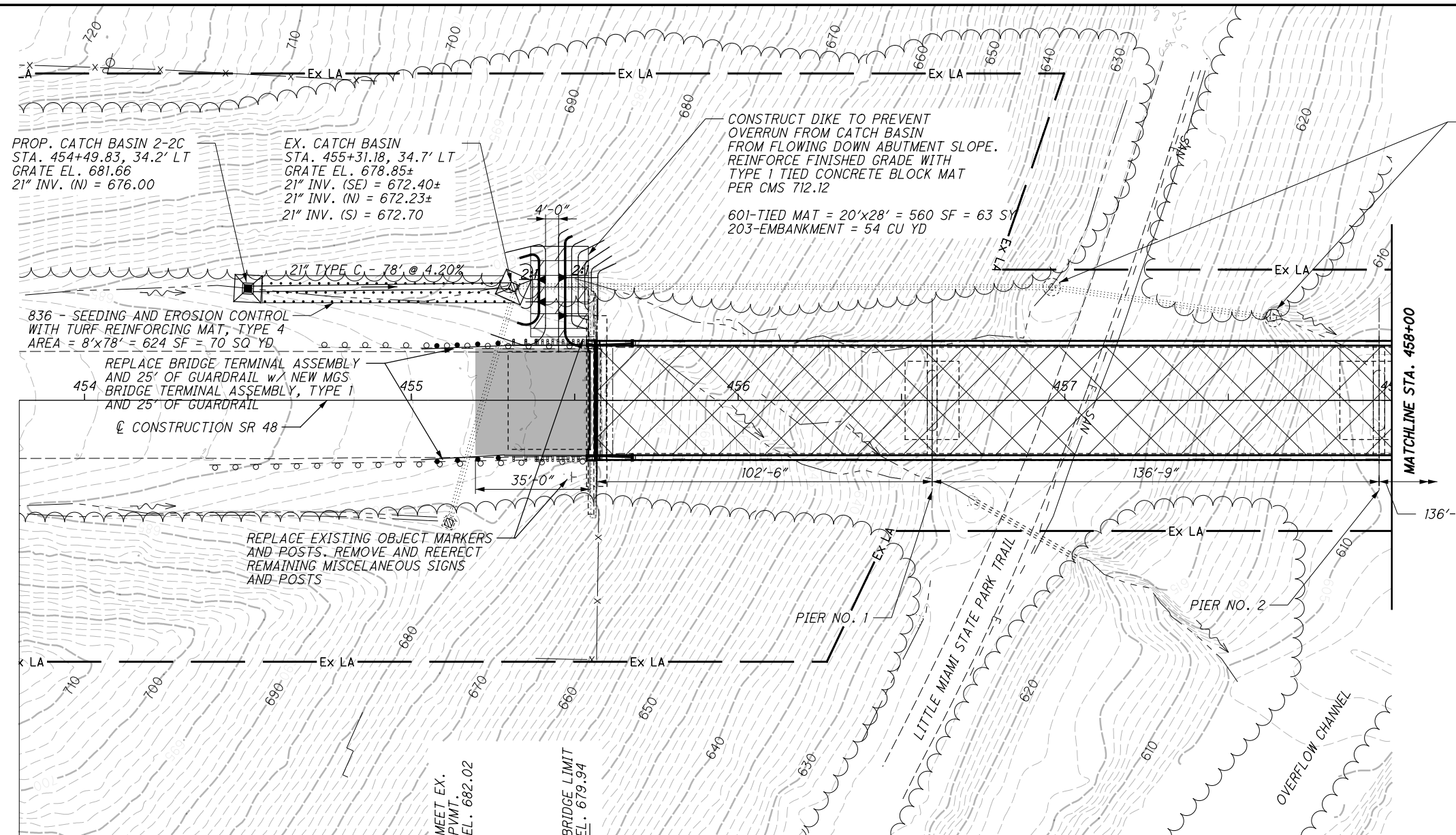
TYPICAL DECK OVERLAY SECTION



DECK SECTION AT EXPANSION JOINTS

DESIGN AGENCY		OHIO DEPT OF TRANSPORTATION	
DATE		DISTRICT 8 BRIDGE OFFICE	
REVIEWED	DATE	STRUCTURE FILE NUMBER	
XXX	MM/DD/YY	8300038	
DRAWN	CHECKED	DESIGNED	
CAH	GTF	CAH	
REVISIONS			
XXX			
TRANSVERSE SUPERSTRUCTURE SECTIONS			
BRIDGE NO. WAR-22/3-3.03 OVER			
OLD 3C HWY, LITTLE MIAMI RIVER, FOSTER-MAINVILLE RD.			
WAR-22/48-		3.03/8.63	
PID No. 103849			
17/20			
32			
56			

I:\ProjectData\WAR\103849_WAR-22-0303\Structures\WAR048_0863_Sheets\RO48_0863_SP001.dgn Sheet 1/8/2020 11:18:13 AM choward4



LEGEND

SDC CONCRETE OVERLAY

TIED CONCRETE BLOCK MAT

MILL/FILL

HYDRAULIC DATA

DRAINAGE AREA = 1040 SQ. MILES

Q (100) = 72,900 CFS V (100) = 5.0 FT/S

Q (50) = 62,300 CFS V (50) = 4.8 FT/S

STRUCTURE CLEARS THE 50 YEAR DESIGN HW BY 4.82 FEET.

ORDINARY HIGH WATER = EL. 613.66±

EXISTING STRUCTURE

TYPE: CONTINUOUS WELDED PLATE GIRDER WITH REINFORCED CONCRETE 'T' PIERS AND STUB ABUTMENTS

SPANS: 102.50', 6 SPANS AT 136.75', 102.50'

ROADWAY: SEE PLAN FOR TOE/TOE OF PARAPET WIDTH

LOADING: CF=400(57)

SKREW: NONE

APPROACH SLABS: 25'-0" LONG (AS-1-54)

ALIGNMENT: TANGENT

CROWN: 0.0156 FT/FT

STRUCTURAL FILE NUMBER: 8301085

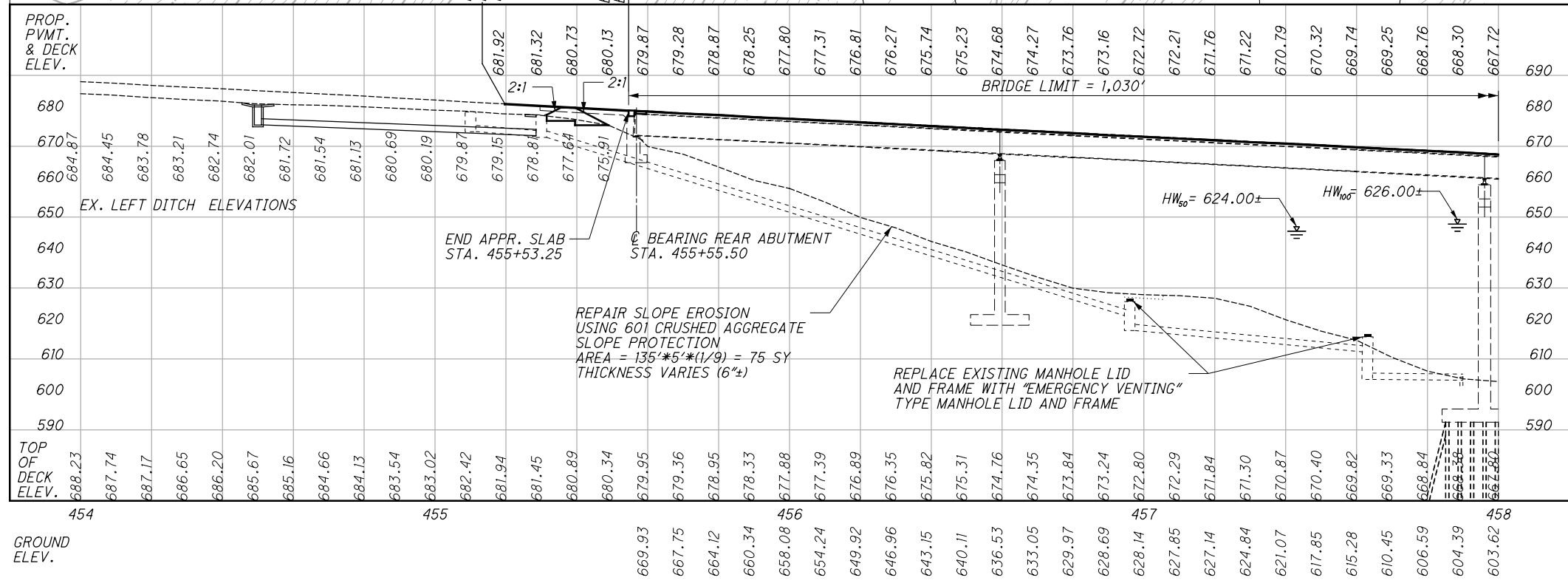
DATE BUILT: 1937

DISPOSITION: REHABILITATE SUPERSTRUCTURE

COORDINATES: LATITUDE N39°19'09"

LONGITUDE W84°15'14"

WEARING SURFACE: 1 1/4" CONCRETE OVERLAY



PROP. CATCH BASIN 2-2C
STA. 454+49.83, 34.2' LT
GRATE EL. 681.66
21" INV. (N) = 676.00

EX. CATCH BASIN
STA. 455+31.18, 34.7' LT
GRATE EL. 678.85±
21" INV. (SE) = 672.40±
21" INV. (N) = 672.23±
21" INV. (S) = 672.70

836 - SEEDING AND EROSION CONTROL WITH TURF REINFORCING MAT, TYPE 4
AREA = 8'x78' = 624 SF = 70 SQ YD

REPLACE BRIDGE TERMINAL ASSEMBLY AND 25' OF GUARDRAIL w/ NEW MGS BRIDGE TERMINAL ASSEMBLY, TYPE 1 AND 25' OF GUARDRAIL

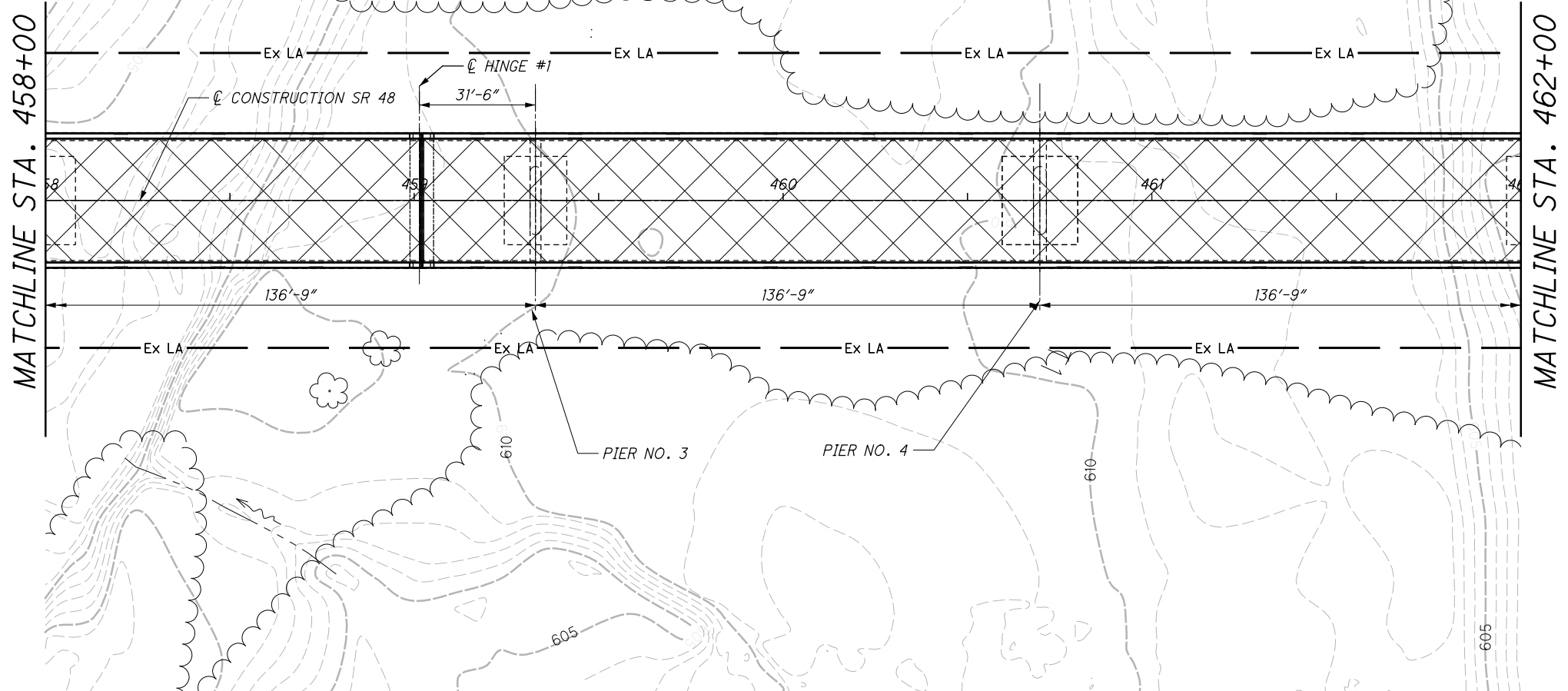
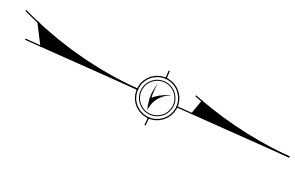
CONSTRUCTION SR 48

REPLACE EXISTING OBJECT MARKERS AND POSTS. REMOVE AND REERECT REMAINING MISCELLANEOUS SIGNS AND POSTS

601-TIED MAT = 20'x28' = 560 SF = 63 SY
203-EMBANKMENT = 54 CU YD

- NOTES**
- EARTHWORK LIMITS SHOWN ARE APPROXIMATE. ACTUAL SLOPES SHALL CONFORM TO PLAN CROSS SECTIONS.
 - ROADWAY AND DRAINAGE QUANTITIES HAVE BEEN CARRIED TO THE GENERAL SUMMARY.
 - PLACE TYPE 4-C CURB BELOW NEW BRIDGE TERMINAL ASSEMBLIES PER STD. DWG. MGS-3.1. TOTAL QTY. = 72 FEET
 - BENCH FOUNDATION SOIL FOR DIKE.

I:\ProjectData\WAR\103849_WAR-22-0303\Structures\WAR048_0863\Sheets\RO48_0863_SP002.dgn Sheet 1/8/2020 11:8:25 AM choward4



NOTES

EARTHWORK LIMITS SHOWN ARE APPROXIMATE. ACTUAL SLOPES SHALL CONFORM TO PLAN CROSS SECTIONS.

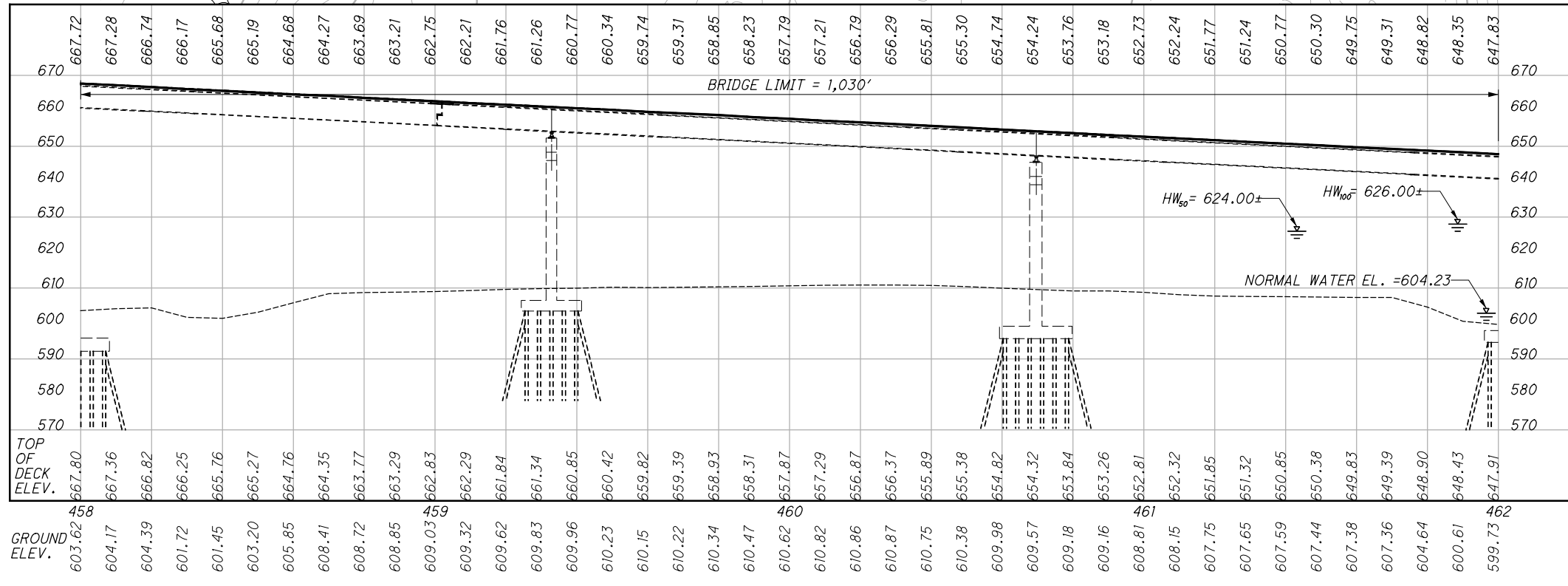
LEGEND

- SDC CONCRETE OVERLAY
- MILL/FILL

HYDRAULIC DATA

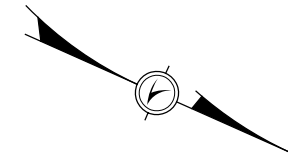
DRAINAGE AREA = 1040 SQ. MILES
 Q (100) = 72,900 CFS V (100) = 5.0 FT/S
 Q (50) = 62,300 CFS V (50) = 4.8 FT/S
 STRUCTURE CLEARS THE 50 YEAR
 DESIGN HW BY 4.82 FEET.
 ORDINARY HIGH WATER = EL. 613.66±

EXISTING STRUCTURE	
TYPE: CONTINUOUS WELDED PLATE GIRDER WITH REINFORCED CONCRETE 'T' PIERS AND STUB ABUTMENTS	
SPANS: 102.50', 6 SPANS AT 136.75', 102.50'	
ROADWAY: SEE PLAN FOR TOE/TOE OF PARAPET WIDTH	
LOADING: CF=400(57)	
SKEW: NONE	
APPROACH SLABS: 25'-0" LONG (AS-1-54)	
ALIGNMENT: TANGENT	
CROWN: 0.0156 FT/FT	
STRUCTURAL FILE NUMBER: 8300038	
DATE BUILT: 1937	
DISPOSITION: REHABILITATE SUPERSTRUCTURE	
COORDINATES: LATITUDE N39°19'09"	
LONGITUDE W84°15'14"	
WEARING SURFACE: 1 1/4" CONCRETE OVERLAY	



WAR-22/48-3.03/8.63 PID No. 103849	SITE PLAN - 2 BRIDGE NO. WAR-48-8.63 OVER THE LITTLE MIAMI RIVER	WARREN COUNTY STA. 455+53.25 STA. 465+83.25	DESIGNED CAH CHECKED GTF	DRAWN CAH REVISED XXX	REVIEWED XXX STRUCTURE FILE NUMBER 8301085	DATE MM/DD/YY STRUCTURE FILE NUMBER 8301085	DESIGN AGENCY OHIO DEPT OF TRANSPORTATION DISTRICT 8 BRIDGE OFFICE
2 / 18	40 / 56						

I:\ProjectData\WAR\103849_WAR-22-0303\Design\Structures\WAR048_0863\Sheets\RO48_0863_SP003.dgn Sheet 1/8/2020 11:18:33 AM choward



NOTES

1. EARTHWORK LIMITS SHOWN ARE APPROXIMATE. ACTUAL SLOPES SHALL CONFORM TO PLAN CROSS SECTIONS.
2. REPLACE EACH EXISTING BRIDGE TERMINAL ASSEMBLY WITH A NEW MGS, BRIDGE TERMINAL ASSEMBLY, TYPE 1.

LEGEND

- SDC CONCRETE OVERLAY
- MILL/FILL

REPLACE BRIDGE TERMINAL ASSEMBLY AND 25' OF GUARDRAIL w/ NEW MGS BRIDGE TERMINAL ASSEMBLY, TYPE 1 AND 25' OF GUARDRAIL

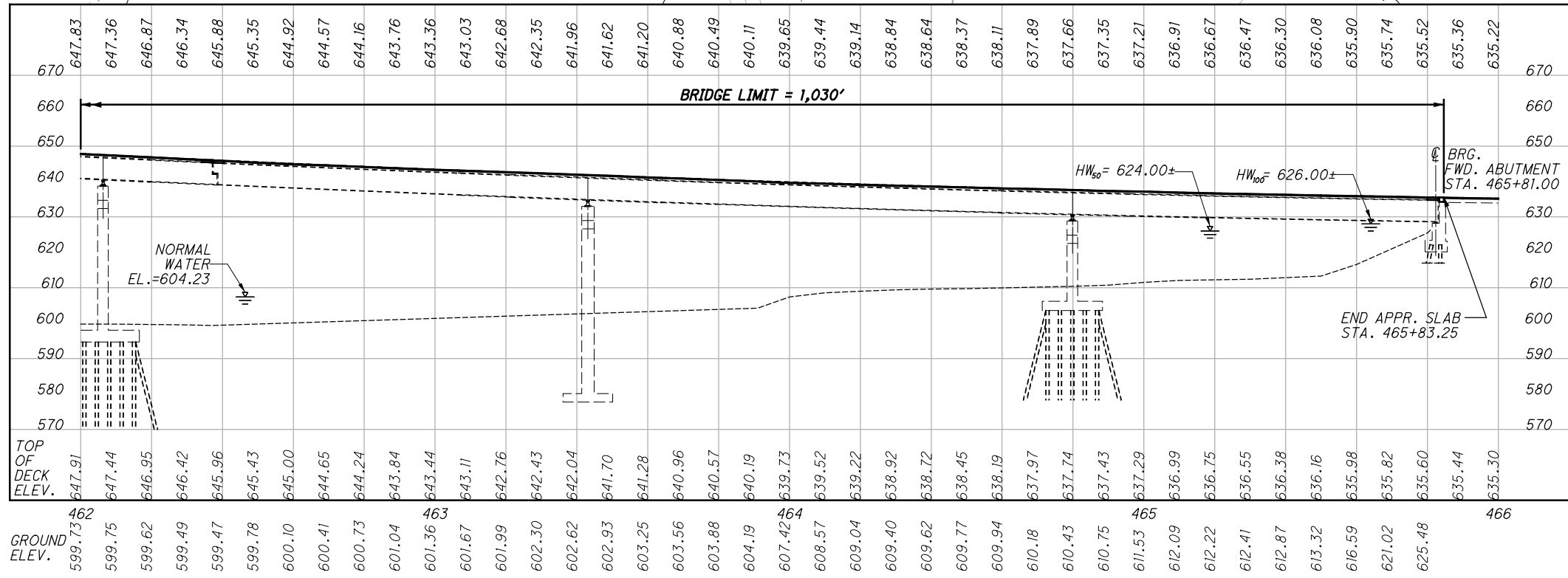
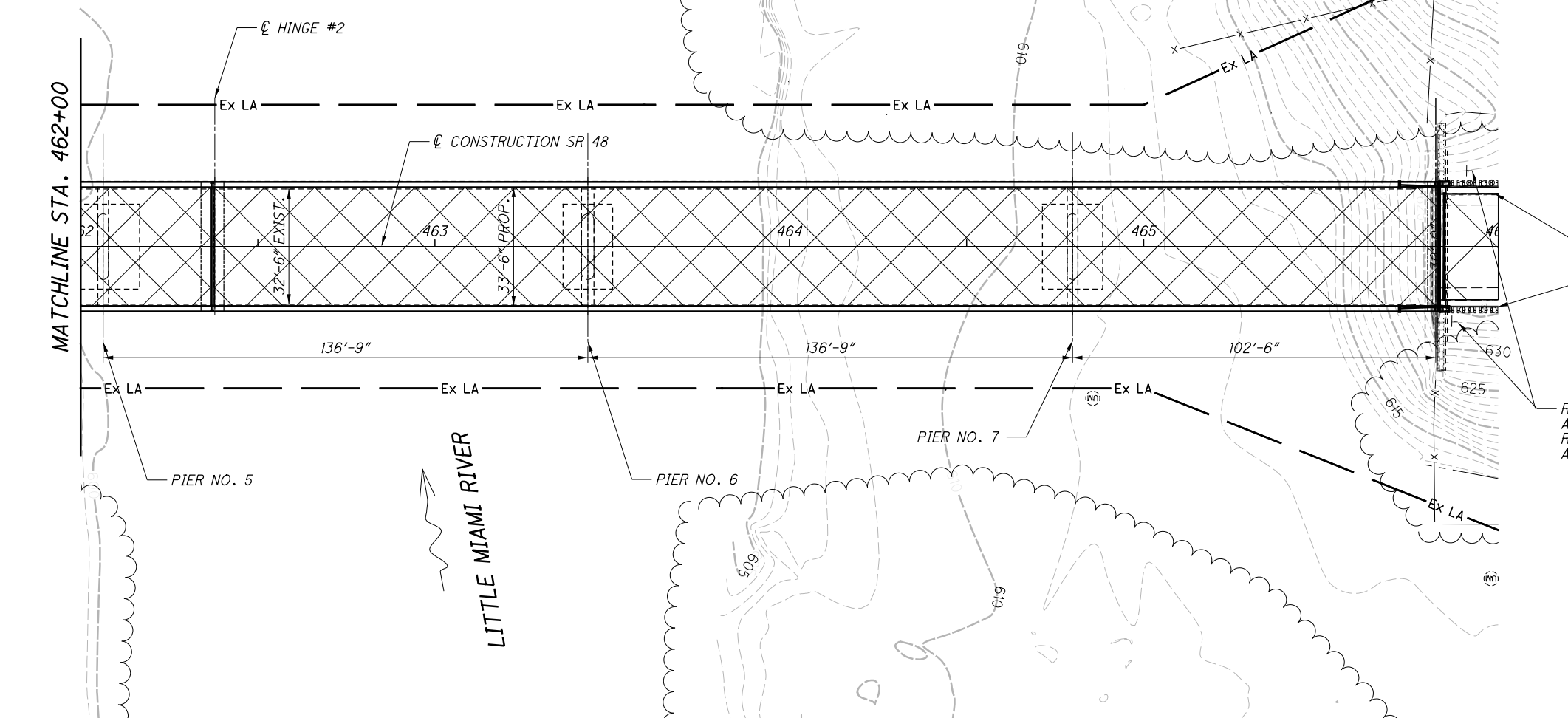
REPLACE EXISTING OBJECT MARKERS AND POSTS. REMOVE AND REERECT REMAINING MISCELLANEOUS SIGNS AND POSTS

HYDRAULIC DATA

DRAINAGE AREA = 1040 SQ. MILES
 Q (100) = 72,900 CFS V (100) = 5.0 FT/S
 Q (50) = 62,300 CFS V (50) = 4.8 FT/S
 STRUCTURE CLEARS THE 50 YEAR DESIGN HW BY 4.82 FEET.
 ORDINARY HIGH WATER = EL. 613.66±

EXISTING STRUCTURE

TYPE: CONTINUOUS WELDED PLATE GIRDER WITH REINFORCED CONCRETE 'T' PIERS AND STUB ABUTMENTS
 SPANS: 102.50', 6 SPANS AT 136.75', 102.50'
 ROADWAY: SEE PLAN FOR WIDTH TOE/TOE OF PARAPET
 LOADING: CF=400(57)
 SKEW: NONE
 APPROACH SLABS: 25'-0" LONG (AS-1-54)
 ALIGNMENT: TANGENT
 CROWN: 0.0156 FT/FT
 STRUCTURAL FILE NUMBER: 8300038
 DATE BUILT: 1937
 DISPOSITION: REHABILITATE SUPERSTRUCTURE
 COORDINATES: LATITUDE N39°19'09"
 LONGITUDE W84°15'14"
 WEARING SURFACE: 1 3/4" CONCRETE OVERLAY



DESIGN AGENCY: OHIO DEPT OF TRANSPORTATION
 DISTRICT 8 BRIDGE OFFICE

DATE: MM/DD/YY
 REVIEWED: XXX
 DRAWN: CAH
 DESIGNED: CAH
 CHECKED: GTF

WARREN COUNTY
 STA. 455+53.25
 STA. 465+83.25

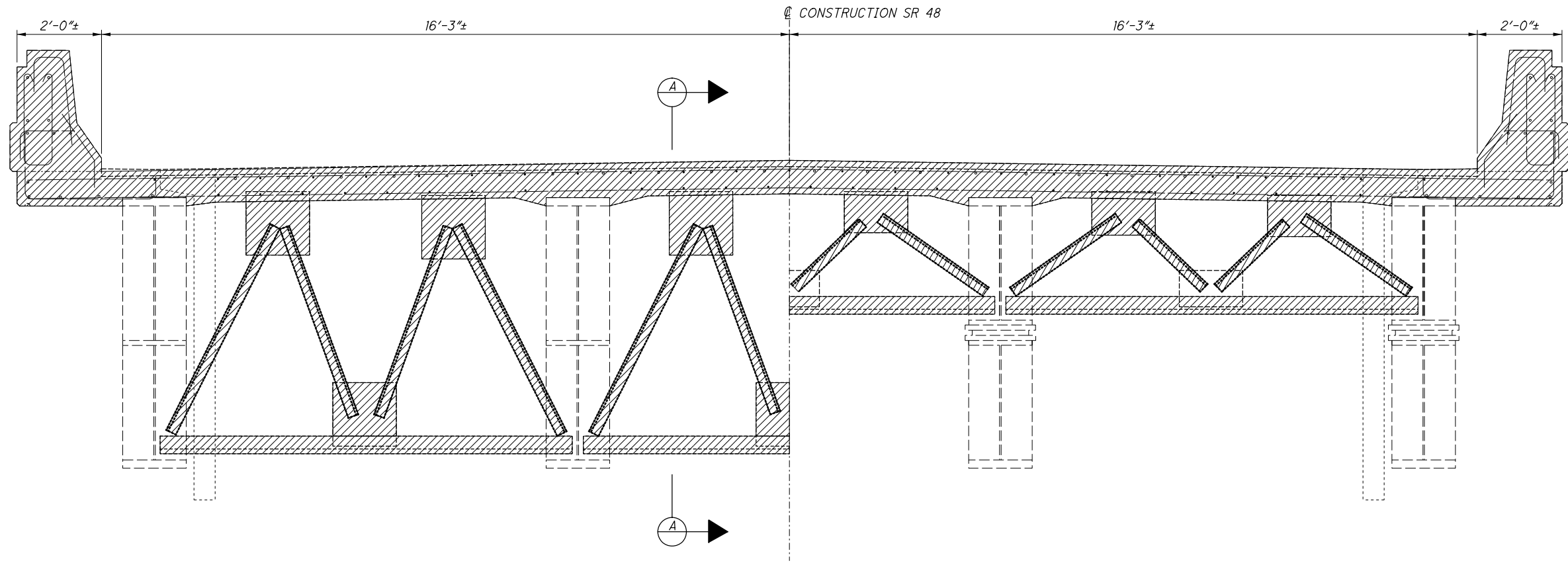
SITE PLAN - 3
 BRIDGE NO. WAR-48-8.63
 OVER THE LITTLE MIAMI RIVER

WAR-22/48-3.03/8.63
 PID No. 103849

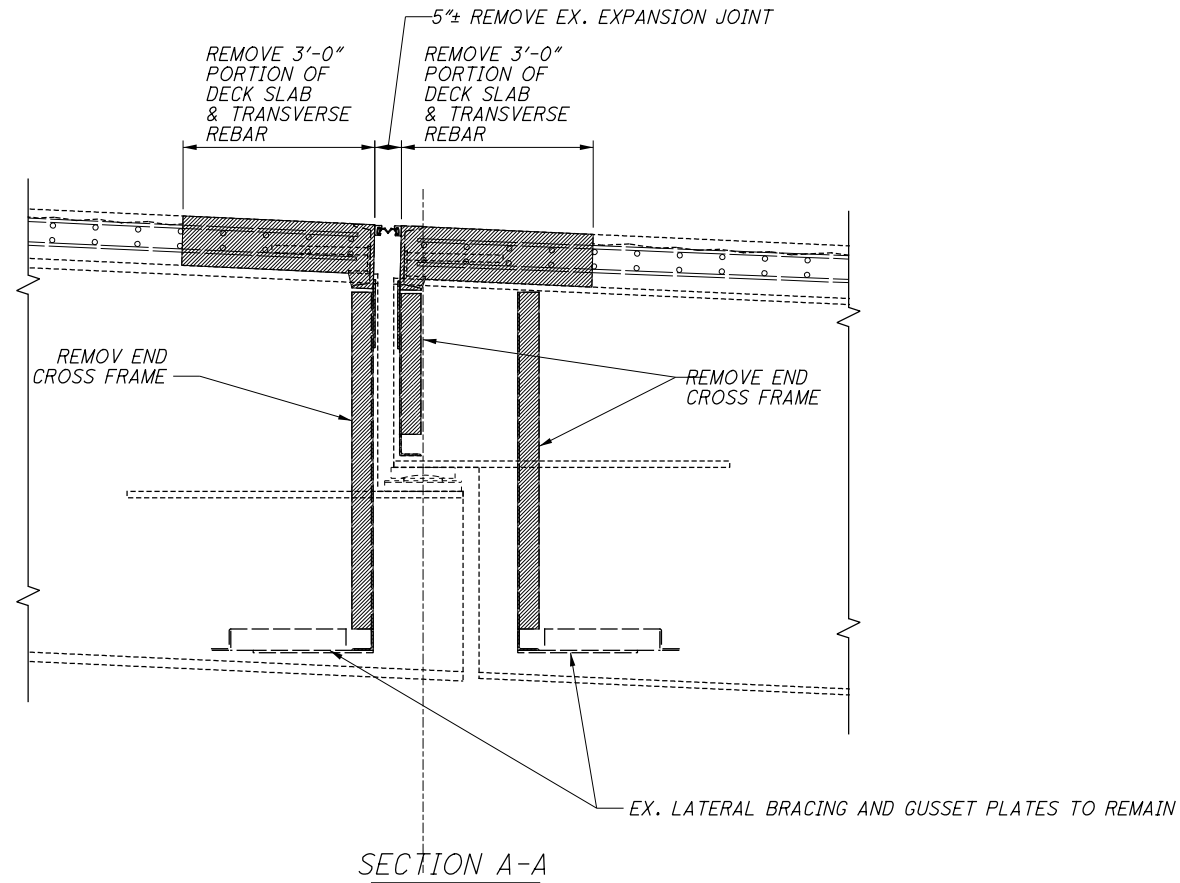
3/18

41/56

I:\ProjectData\WAR\103849_WAR-22-0303\Design\Structures\WAR048_0863_Sheets\RO48_0863_SV003.dgn Sheet 1/8/2020 11:18:55 AM choward4



DEMOLITION AT INTERMEDIATE (HINGE) EXPANSION JOINTS



LEGEND

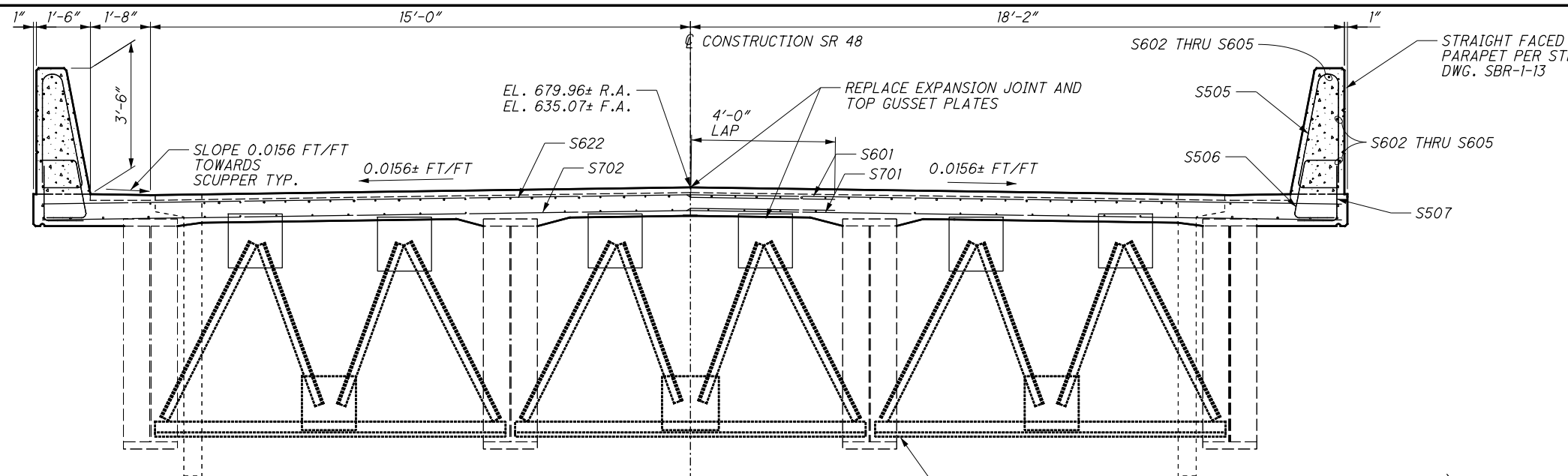
 PORTIONS OF STRUCTURE TO BE REMOVED

NOTES:

1. SALVAGE EXISTING LONGITUDINAL DECK REBAR FOR RE-USE.
2. SAWCUTTING OF EXISTING LONGITUDINAL DECK REBAR IS NOT ALLOWED.

DESIGN AGENCY OHIO DEPT OF TRANSPORTATION DISTRICT 8 BRIDGE OFFICE	
REVIEWED XXX	DATE MM/DD/YY 8/30/18
DRAWN CAH	STRUCTURE FILE NUMBER 8301085
DESIGNED CAH	CHECKED GTF
<p>INTERMEDIATE EXPANSION JOINT DEMOLITION BRIDGE NO. WAR-48-8.63 OVER THE LITTLE MIAMI RIVER</p>	
<p>WAR-22/48- 3.03/8.63 PID No. 103849</p>	
<p>8 / 18</p>	
<p>46 56</p>	

I:\ProjectData\WAR-22-0303\Design\Structures\WAR048_0863\Sheets\RO48_0863_SX001.dgn Sheet 1/8/2020 11:19:55 AM choward4

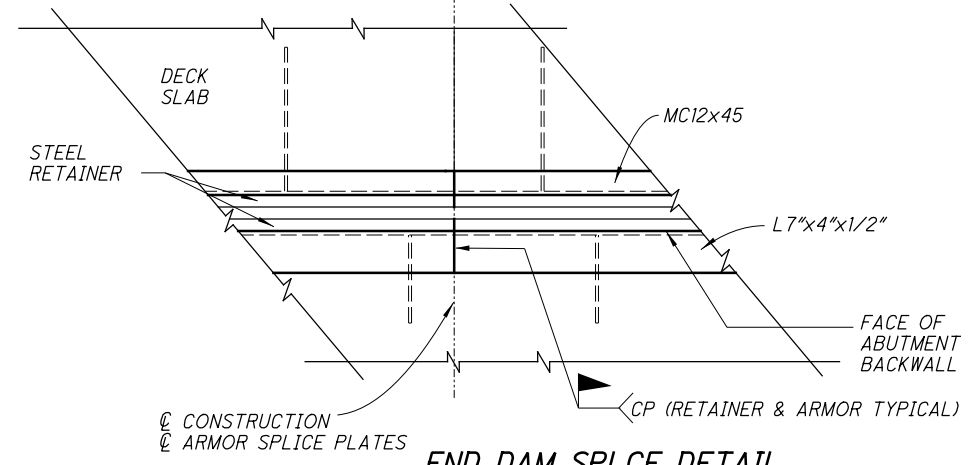


EXPANSION JOINT OPENING TABLE FOR 4" GLAND

AMBIENT TEMP (°F)	DIMENSION "A"
	REAR ABUT. & FWD. ABUT.
30°	2.55"
40°	2.37"
50°	2.19"
60°	2.00"
70°	1.81"
80°	1.62"
90°	1.44"

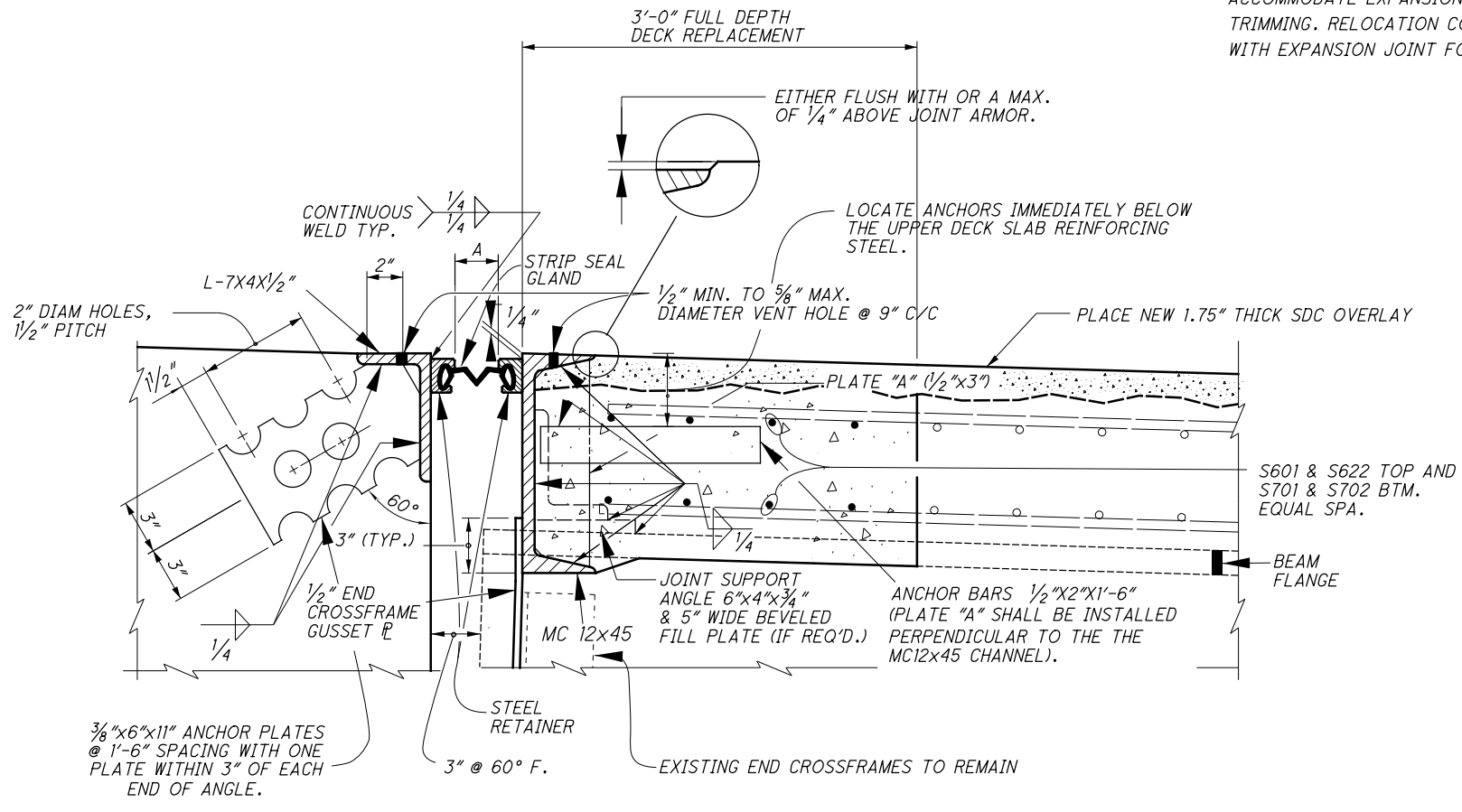
MINIMUM JOINT OPENING (DIMENSION 'A') AT THE TIME OF SEAL GLAND INSTALLATION SHALL NOT BE LESS THAN 2". IF THE JOINT OPENING IS LESS, INSTALLATION SHALL BE POSTPONED UNTIL THE TEMPERATURE DROPS A SUFFICIENT AMOUNT TO ALLOW THE 2" OPENING.

EXISTING ABUTMENT END CROSSFRAMES SHALL REMAIN. RELOCATE END CROSSFRAMES AND CONNECTION STIFFENER PLATES IF NECESSARY TO ACCOMMODATE EXPANSION JOINT FITUP AND BEAM TRIMMING. RELOCATION COSTS SHALL BE INCLUDED WITH EXPANSION JOINT FOR PAYMENT.



END DAM SPLCE DETAIL

REAR ABUTMENT SHOWN
FORWARD ABUTMENT & HINGES SIMILAR



ELASTOMERIC STRIP SEAL JOINT SECTION

TYPICAL THRU DECK SLAB

NOTES:

- SEE STD. DWG. EXJ-4-87 FOR ADDITIONAL INFORMATION.
- STRIP SEAL GLAND SHALL BE INSTALLED IN ONE CONTINUOUS PIECE AFTER COMPLETION OF THE END DAM INSTALLATION.
- PORTIONS OF THE STRIP SEAL EXPANSION JOINT ASSEMBLY THAT ARE ANGLED TO MEET THE TRANSVERSE DECK CROSS SLOPE SHALL BE CONNECTED AS SHOWN AT THE C OF CONSTRUCTION USING COMPLETE PENETRATION FIELD WELDS AND ANY NEEDED SPLICE PLATES. WELDS SHALL BE GROUND SMOOTH. WELDS AND SPLICE PLATES SHALL BE INCLUDED WITH THE EXPANSION JOINT FOR PAYMENT.
- INSTALLATION OF SEAL: DURING INSTALLATION OF THE SUPPORT/ARMOR FOR THE SUPERSTRUCTURE SIDE OF THE EXPANSION JOINT SEAL, OBSERVE THE SEATING OF BEAMS ON BEARINGS TO ASSURE THAT POSITIVE BEARING IS MAINTAINED.

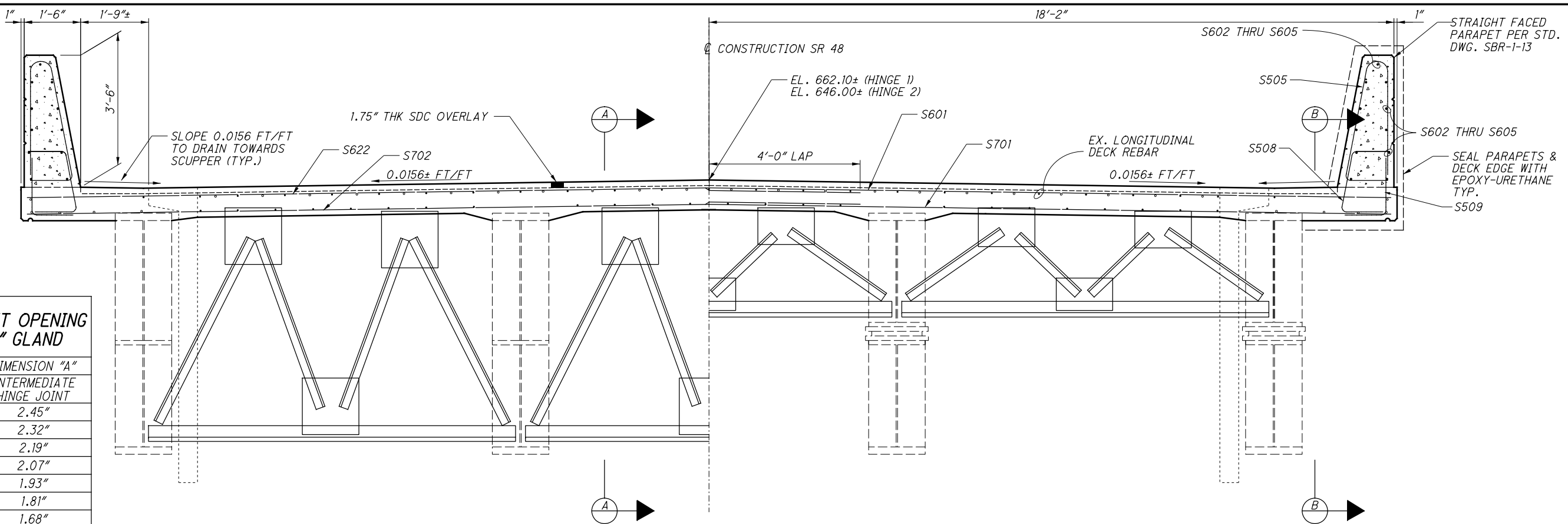
PROPER ELEVATION OF THE SUPPORT/ARMOR ON THE BEAMS SHALL BE ACHIEVED BY POSITIONING OF THE BEVEL FILL PLATES RATHER THAN BY CLAMPING FORCE.
- ALL COSTS ASSOCIATED WITH THE ELASTOMERIC STRIP SEAL EXPANSION JOINT, ANCHOR PLATES, AND ANY REMAINING INCIDENTALS REQUIRED TO COMPLETE THE EXPANSION JOINT INSTALLATION SHALL BE INCLUDED WITH ITEM 516 - STRUCTURAL EXPANSION JOINT INCLUDING ELASTOMERIC STRIP SEAL, AS PER PLAN FOR PAYMENT.
- THE CONTRACTOR SHALL VERIFY DECK ELEVATIONS AND CROSS SLOPES PRIOR TO ORDERING EXPANSION JOINT. ANY COSTS ASSOCIATED WITH THIS WORK SHALL BE INCIDENTAL TO THE EXPANSION JOINT.
- EXPANSION JOINTS SHALL HAVE A CONTINUOUS CROSS SLOPE BETWEEN THE CROWN LINE AND THE EDGE OF DECK.

I:\ProjectData\WAR\103849_WAR-22-0303\Design\Structures\WAR048_0863_Sheets\RO48_0863.dgn Sheet 1/8/2020 11:20:03 AM choward4

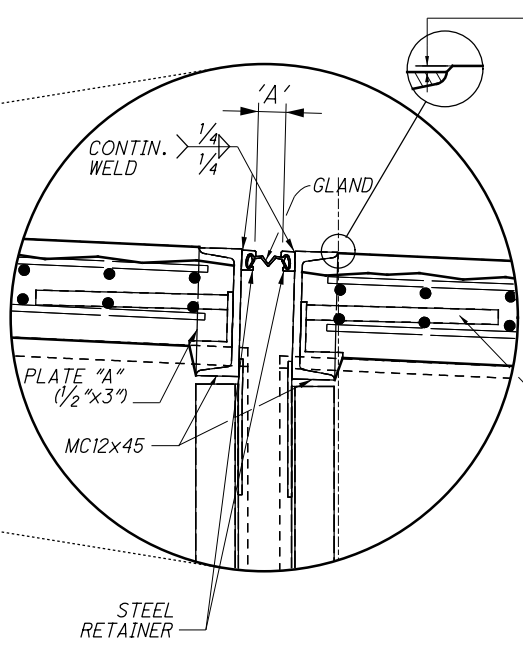
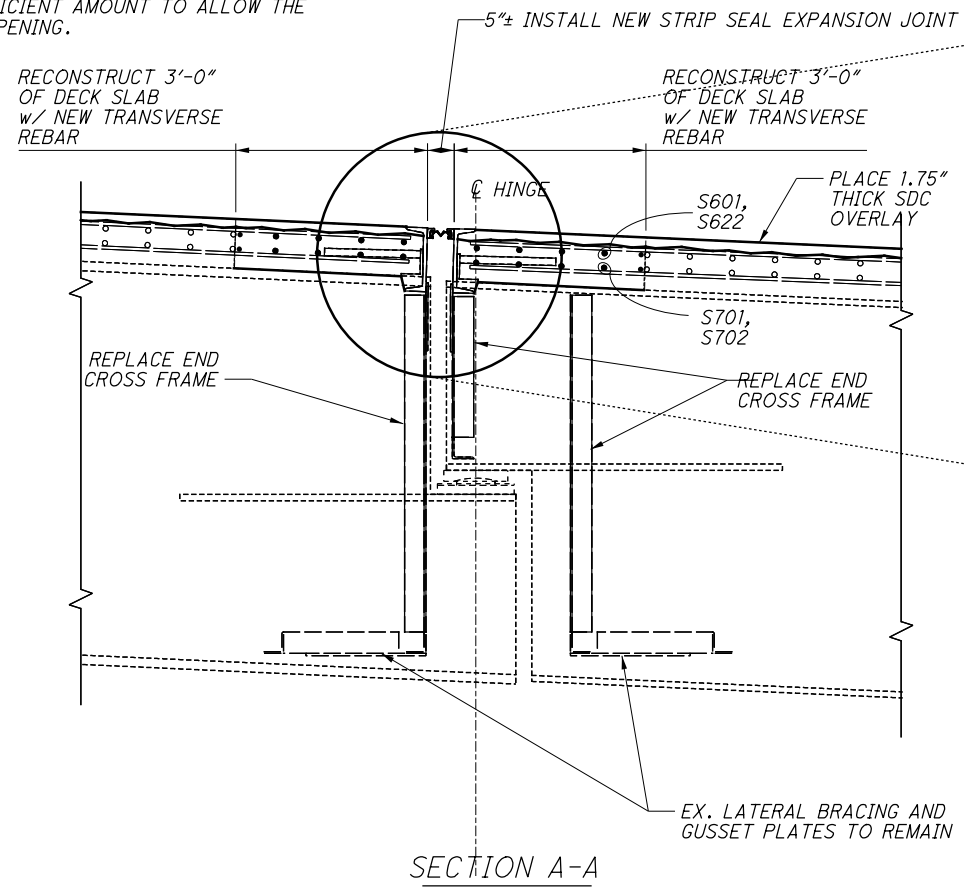
EXPANSION JOINT OPENING TABLE FOR 4" GLAND

AMBIENT TEMP (°F)	DIMENSION "A" INTERMEDIATE HINGE JOINT
30°	2.45"
40°	2.32"
50°	2.19"
60°	2.07"
70°	1.93"
80°	1.81"
90°	1.68"

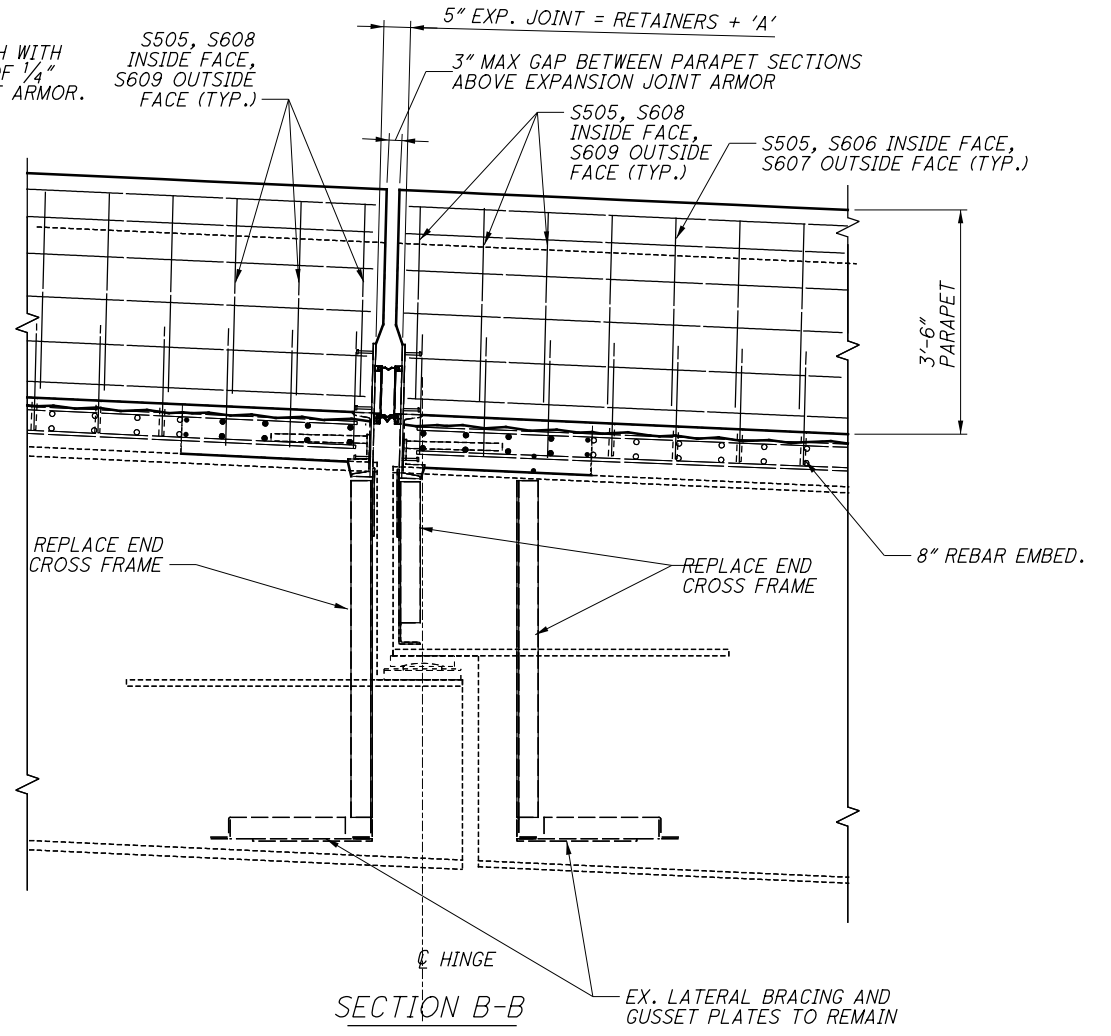
MINIMUM JOINT OPENING (DIMENSION 'A') AT THE TIME OF SEAL GLAND INSTALLATION SHALL NOT BE LESS THAN 2". IF THE JOINT OPENING IS LESS, INSTALLATION SHALL BE POSTPONED UNTIL THE TEMPERATURE DROPS A SUFFICIENT AMOUNT TO ALLOW THE 2" OPENING.



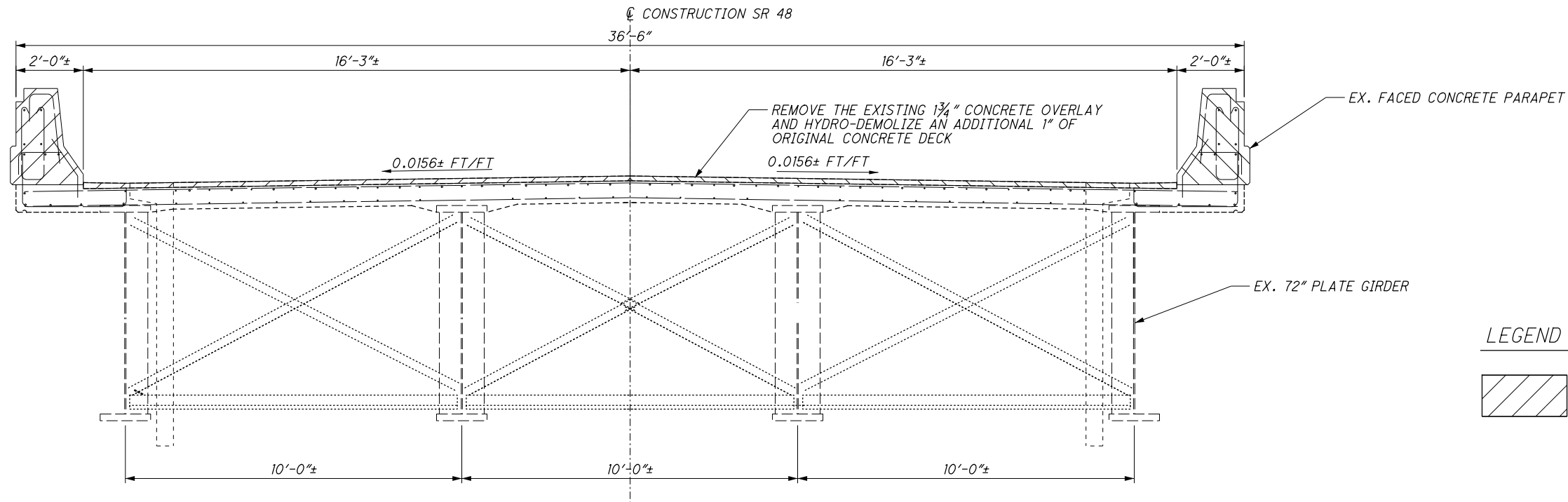
REHABILITATION OF INTERMEDIATE (HINGE) EXPANSION JOINTS



- NOTES:**
- SEE STD. DWG. EXJ-4-87 FOR ADDITIONAL INFORMATION.
 - LOCATE ANCHORS IMMEDIATELY BELOW THE UPPER DECK SLAB REINFORCING STEEL.
 - CONTRACTOR SHALL VERIFY TENTATIVE DECK ELEVATIONS PRIOR TO FABRICATING THE NEW EXPANSION JOINTS. EXPANSION JOINT SHALL HAVE A CONTINUOUS CROSS SLOPE BETWEEN THE CROWN LINE AND THE EDGE OF DECK.

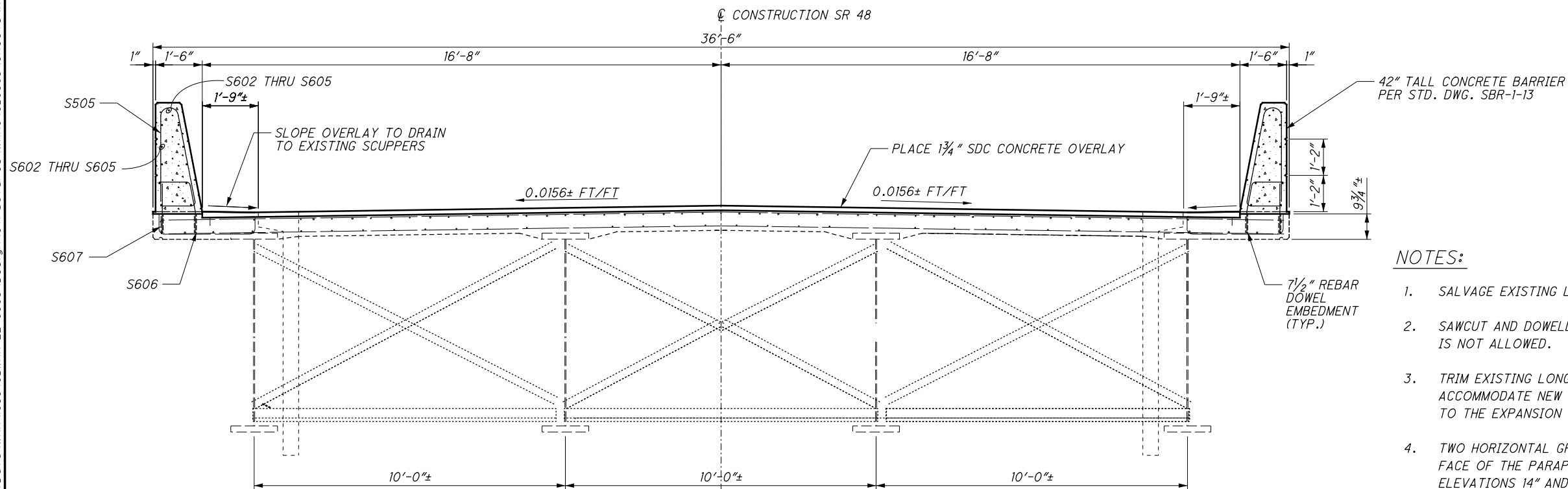


I:\ProjectData\WAR\103849_WAR-22-0303\Design\Structures\WAR048_0863_Sheets\R048_0863_ST001.dgn Sheet 1/8/2020 11:20:13 AM choward4

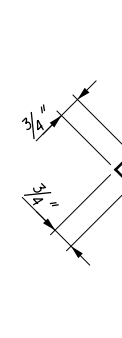


EXISTING TRANSVERSE SECTION - PARAPET REMOVAL AND HYDRO-DEMOLITION

LEGEND



TYPICAL TRANSVERSE SECTION - DECK OVERLAY & PARAPET REPLACEMENT



PARAPET GROOVE DETAIL
(SEE NOTE #4)

NOTES:

1. SALVAGE EXISTING LONGITUDINAL DECK REBAR FOR RE-USE.
2. SAWCUT AND DOWELLING OF NEW LONGITUDINAL DECK REBAR IS NOT ALLOWED.
3. TRIM EXISTING LONGITUDINAL DECK REBAR AS NECESSARY TO ACCOMMODATE NEW EXPANSION JOINTS. COST SHALL BE INCIDENTAL TO THE EXPANSION JOINTS.
4. TWO HORIZONTAL GROOVES SHALL BE INSTALLED ON THE EXTERIOR FACE OF THE PARAPETS. THE GROOVES SHALL BE CENTERED AT ELEVATIONS 14" AND 28" ABOVE THE ROADWAY SURFACE. TWO 3/4" CHAMFER STRIPS CAN BE USED. PARAPET CONCRETE COVER SHALL BE 2" TO ALL SURFACES EXCEPT THE GROOVES. GROOVES SHALL STOP AT THE PARAPET TRANSITIONS.

DESIGNED CAH	DRAWN CAH	REVIEWED XXX	DATE MM/DD/YY XXX	DESIGN AGENCY OHIO DEPT OF TRANSPORTATION DISTRICT 8 BRIDGE OFFICE
CHECKED GTF	REVISED XXX	STRUCTURE FILE NUMBER 8301085		
TYPICAL TRANSVERSE DECK SECTION BRIDGE NO. WAR-48-8.63 OVER THE LITTLE MIAMI RIVER				
WAR-22/48- 3.03/8.63 PID No. 103849				
17 / 18				
55 56				