

CONTINGENCY QUANTITIES

THE CONTRACTOR SHALL NOT ORDER MATERIALS OR PERFORM WORK LISTED IN THE GENERAL SUMMARY FOR ITEMS DESIGNATED BY PLAN NOTE TO BE USED "AS DIRECTED BY THE ENGINEER UNLESS AUTHORIZED BY THE ENGINEER". THE ACTUAL WORK LOCATIONS AND QUANTITIES USED AT THE ENGINEER'S DIRECTION SHALL BE MADE A MATTER OF RECORD BY INCORPORATION INTO THE FINAL CHANGE ORDER GOVERNING COMPLETION OF THE PROJECT.

COOPERATION BETWEEN CONTRACTORS

AT ANY TIME, THE DEPARTMENT MAY CONTRACT FOR OTHER WORK ON OR NEAR THE PROJECT. SEPARATE CONTRACTORS WORKING WITHIN THE PROJECT SHALL WORK WITHOUT INTERFERING WITH OR HINDERING THE PROGRESS OR COMPLETION OF WORK BEING PERFORMED BY OTHER CONTRACTORS AND SHALL COOPERATE WITH EACH OTHER AS DIRECTED BY THE ENGINEER.

PERMANENT PAVEMENT MARKINGS

THE CONTRACTOR SHALL REFERENCE ALL PAVEMENT MARKINGS INCLUDING AUXILIARY PAVEMENT MARKINGS BEFORE THE START OF THE RESURFACING OPERATION. THIS WILL BE NECESSARY TO ASSURE THE CORRECT PLACEMENT OF MARKINGS IN ORIGINAL LOCATIONS (EXCEPT WHERE NOTED). FOR CENTER LINE MARKINGS, THE CONTRACTOR SHALL INSTALL THE PASSING/NO PASSING ZONE MARKINGS ACCORDING TO THE CURRENT CENTER LINE LOGS AVAILABLE AT <http://www.dot.state.oh.us/Divisions/Operations/Traffic/miscellaneous/Pages/CenterlinePassingandNoPassingZoneLogs.aspx> PAYMENT FOR THIS OPERATION SHALL BE INCLUDED WITH EACH RESPECTIVE PAVEMENT MARKING ITEM.

ITEM 623- CONSTRUCTION LAYOUT STAKES, AS PER PLAN

PRIOR TO THE START OF ROADWAY OPERATION, THE CONTRACTOR SHALL REFERENCE THE LENGTH OF THE PROJECT ON BOTH SIDES OF THE ROADWAY, IN A MANNER SATISFACTORY TO THE ENGINEER. THE PAVEMENT SHALL BE REFERENCED IN 1000' FEET INCREMENTS, OR IN INCREMENTS ACCEPTABLE TO THE ENGINEER, IN A SEMIPERMANENT CONDITION.

GUARDRAIL INSTALLATION

THIS PROJECT REQUIRES THE INSTALLATION OF NEW GUARDRAIL POSTS. SURVEY WORK HAS NOT BEEN PERFORMED EVERYWHERE ON THIS PROJECT, NOR HAVE THE UTILITY LOCATIONS BEEN CONFIRMED IN THE FIELD. IN ADDITION TO CMS 105.07, IF, DURING THE COURSE OF INSTALLING ANY NEW GUARDRAIL COMPONENT, IT IS DETERMINED THAT A UTILITY CONFLICT MAY RESULT, THE CONTRACTOR IS TO NOTIFY THE PROJECT ENGINEER IMMEDIATELY. UTILITIES ARE NOT TO BE RELOCATED AS A RESULT OF THIS OPERATION. ADJUSTMENTS TO THE PROPOSED GUARDRAIL WILL ACCOMMODATE THE EXISTING UTILITY. THE CONTRACTOR IS RESPONSIBLE FOR INSTALLING THE GUARDRAIL VIA MEANS THAT WOULD BE COMPLIANT WITH THE IMPACTED UTILITY'S SAFETY GUIDELINES AS WELL AS STILL MEETING ODOT'S DESIGN CRITERIA. ANY MINOR ADJUSTMENTS MADE TO THE PROPOSED GUARDRAIL INSTALLATIONS SHALL BE INCIDENTAL TO PAY ITEM 606.

SMOOTHNESS SPEC 420

SMOOTHNESS SPEC 420 APPLIES EVERYWHERE ON THIS PROJECT EXCEPT ON SR 73 SLM 2.58-2.76.

ITEM 202 - ANCHOR ASSEMBLY REMOVED, TYPE A, AS PER PLAN

WHERE DESIGNATED, EXISTING ANCHOR ASSEMBLIES INCLUDING ALL POST AND HARDWARE SHALL BE REMOVED. THIS ITEM SHALL ALSO INCLUDE THE REMOVAL OF THE ENTIRE CONCRETE ANCHOR AND CONCRETE ENCASUREMENT. ALL HOLES LEFT AFTER REMOVAL OF ASSEMBLIES AND POSTS SHALL BE FILLED WITH GRANULAR MATERIAL AS DIRECTED BY THE ENGINEER. PAYMENT SHALL INCLUDE ALL NECESSARY LABOR AND EQUIPMENT REQUIRED TO PERFORM THE INDICATED ABOVE.

CONNECTION BETWEEN EXISTING AND PROPOSED GUARDRAIL

WHEN IT IS NECESSARY TO SPLICE PROPOSED GUARDRAIL TO EXISTING GUARDRAIL, ONLY THE EXISTING GUARDRAIL SHALL BE CUT, DRILLED, OR PUNCHED. THE CONNECTION SHALL BE MADE USING A W-BEAM, BEAM SPLICE AS SHOWN IN AASHTO M 180-12, EXCEPT THE BEAM WASHERS ARE NOT TO BE USED. PAYMENT SHALL BE INCLUDED IN THE CONTRACT PRICE FOR THE RESPECTIVE GUARDRAIL ITEMS.

BRIDGE TERMINAL ASSEMBLY, TYPE 4, AS PER PLAN

THIS PAY ITEM SHALL INCLUDE THE COST TO FURNISH AND INSTALL ALL GUARDRAIL COMPONENTS (NORMAL AND EXTRA) OF THE 25' LONG BRIDGE TERMINAL ASSEMBLY TYPE 4 AS SEEN ON THE PLAN INSERT.

ITEM 606 - ANCHOR ASSEMBLY, MGS TYPE E

THIS ITEM SHALL CONSIST OF FURNISHING AND INSTALLING ANY OF THE GUARDRAIL END TERMINALS FOR TYPE MGS GUARDRAIL AS LISTED ON ROADWAY ENGINEERING'S WEB PAGE UNDER ROADSIDE SAFETY DEVICES FOR APPROVED GUARDRAIL END TREATMENTS. INSTALLATION SHALL BE AT THE LOCATIONS SPECIFIED IN THE PLANS, IN ACCORDANCE WITH THE MANUFACTURER'S SPECIFICATIONS.

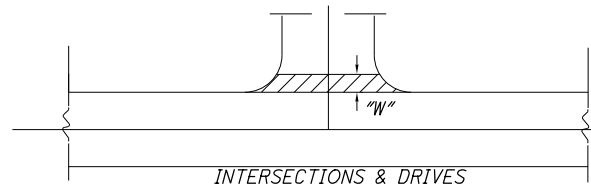
THE FACE OF THE TYPE E IMPACT HEAD SHALL BE COVERED WITH A SHEET OF TYPE G REFLECTIVE SHEETING, PER CMS 730.19.

REFER TO THE MANUFACTURER'S INSTRUCTIONS REGARDING THE INSTALLATION OF, AND THE GRADING AROUND THE FOUNDATION TUBES AND GROUND STRUT. THE TOP OF ANY FOUNDATION TUBE SHOULD BE LESS THAN 4 INCHES ABOVE THE GROUND. THE PLACEMENT OF THE FOUNDATION TUBES SHOULD BE AN APPROPRIATE DEPTH BELOW THE LEVEL LINE IN ORDER TO MAINTAIN THE FINISHED GUARDRAIL HEIGHT OF 31 INCHES FROM THE EDGE OF THE SHOULDER.

ON-SITE GRADING IS REQUIRED IF THE TOP OF THE FOUNDATION TUBES OR TOP OF THE GROUND STRUT DOES PROJECT MORE THAN 4 INCHES ABOVE THE GROUND LINE.

PAYMENT FOR THE ABOVE WORK SHALL BE MADE AT THE UNIT PRICE BID FOR ITEM 606, ANCHOR ASSEMBLY, MGS TYPE E, EACH, AND SHALL INCLUDE ALL LABOR, TOOLS, EQUIPMENT AND MATERIALS NECESSARY TO CONSTRUCT A COMPLETE AND FUNCTIONAL ANCHOR ASSEMBLY SYSTEM, INCLUDING ALL RELATED TRANSITIONS, REFLECTIVE SHEETING, HARDWARE, GRADING, EMBANKMENT AND EXCAVATION NOT SEPARATELY SPECIFIED, AS REQUIRED BY THE MANUFACTURER.

INTERSECTIONS AND DRIVES



INTERSECTION AND DRIVES QUANTITIES ARE INCLUDED IN THE PAVEMENT QUANTITIES. INTERSECTION QUANTITIES HAVE BEEN ESTIMATED AT 15' MEASURED FROM EDGE OF PAVED SHOULDER, DRIVE QUANTITIES HAVE BEEN ESTIMATED AT 3' "W" MEASURED FROM EDGE OF PAVED SHOULDER.

PERFORM WORK PER SPECIFIED OFFSET LIMITS UNLESS THERE IS AN EXISTING JOINT LOCATED CLOSER TO THE EDGE OF PAVED SHOULDER, IN WHICH CASE END WORK AT SAID JOINT.

ITEM 254- PAVEMENT PLANING, ASPHALT CONCRETE

THE PLANING SHALL BE SCHEDULED SO AS TO BE COVERED BY THE INTERMEDIATE COURSE ON THE ROADWAY SECTIONS AND COVERED BY THE SURFACE COURSE ON APPLICABLE BRIDGES PRIOR TO REOPENING THE LANE TO TRAFFIC. THE COST OF THE ABOVE SHALL BE INCLUDED IN THE UNIT BID PRICE FOR THE RESPECTIVE ITEM. A DISINCENTIVE IN THE AMOUNT OF \$65 PER MINUTE SHALL BE ASSESSED FOR EACH MINUTE, OR PORTION THEREOF, A PLANED SURFACE IS OPEN TO TRAFFIC.

ITEM 621- RAISED PAVEMENT MARKINGS

THE CONTRACTOR SHALL REMOVE AND REPLACE ANY RPM'S IN THE AREAS OF PAVEMENT REPAIR. THE ESTIMATED QUANTITIES HAVE BEEN CARRIED TO THE GENERAL SUMMARY FOR RPM'S REMOVED AND REPLACED REFER TO SHEETE 10 FOR ADDITIONAL INFORMATION.

AIRWAY/HIGHWAY CLEARANCE FOR AIRPORTS AND HELIPORTS

THIS PROJECT HAS BEEN IDENTIFIED AS BEING WITHIN THE INFLUENCE AREA OF A PUBLIC USE AIRPORT OR HELIPORT. NO TEMPORARY STRUCTURES OR CONSTRUCTION EQUIPMENT AT MAXIMUM OPERATING HEIGHT SHALL EXCEED A HEIGHT OF 136 FT IN ANY TEMPORARY STRUCTURES OR CONSTRUCTION EQUIPMENT WILL EXCEED THIS HEIGHT, FURTHER COORDINATION WITH THE FEDERAL AVIATION ADMINISTRATION (FAA), AND ODOT OFFICE OF AVIATION, WILL BE NECESSARY PRIOR TO ERECTING SUCH TEMPORARY STRUCTURES OR OPERATING SUCH EQUIPMENT ON THE PROJECT. THE CONTRACTOR WILL BE REQUIRED TO SUBMIT FORM 7460-1 TO THE FAA. NOTIFY THE ODOT OFFICE OF AVIATION WHEN SUBMITTING FAA FORM 7460-1.

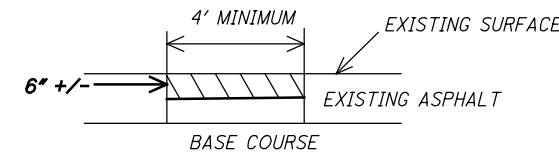
NO TEMPORARY STRUCTURES OR CONSTRUCTION EQUIPMENT SHALL EXCEED THE PERMISSIBLE HEIGHT, UNTIL A COPY OF THE FAA APPROVAL AND THE ODOT OFFICE OF AVIATION PERMIT HAS BEEN FURNISHED TO THE PROJECT ENGINEER.

EXPRESS PROCESSING CENTER
THE FEDERAL AVIATION ADMINISTRATION
SOUTHWEST REGIONAL OFFICE
AIR TRAFFIC AIRSPACE BRANCH ASW-520
2601 MEACHAN BLVD.
FORT WORTH, TX 76137-4298

OHIO DEPARTMENT OF TRANSPORTATION
OFFICE OF AVIATION
2829 WEST DUBLIN-GRANVILLE ROAD
COLUMBUS, OHIO 43235
614-387-2346

ITEM 253- PAVEMENT REPAIR (A) STATE ROUTE 73

AN ESTIMATED QUANTITY OF 950 CU YDS OF ITEM 253- PAVEMENT REPAIR HAS BEEN CARRIED TO THE GENERAL SUMMARY TO BE USED THROUGHOUT THE ENTIRE PROJECT AS DIRECTED BY THE ENGINEER. THIS OPERATION SHALL BE PERFORMED BEFORE PAVEMENT PLANING OF ROADWAY.

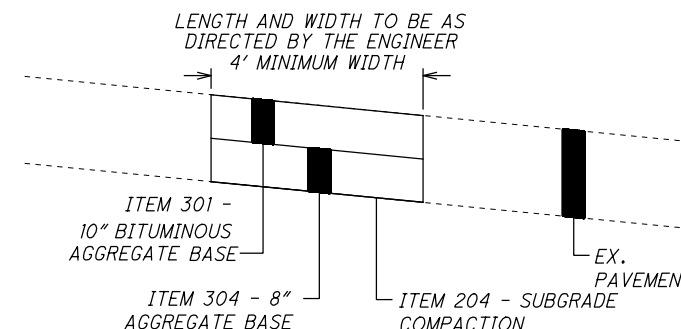


EXISTING DETERIORATED ASPHALT SHALL BE REMOVED TO A MAXIMUM DEPTH OF 6" INCHES OR AS DIRECTED BY THE ENGINEER AND REPLACED WITH ITEM 301, ASPHALT CONCRETE. THE BASE SHALL BE COMPACTED AS PER 401.15 AND IN APPROXIMATELY EQUAL LAYERS. THE LOCATIONS AND SIZE OF THE REPAIRS SHALL BE DETERMINED BY THE ENGINEER.

ITEM 253, PAVEMENT REPAIR (B) STATE ROUTE 73 SLM 2.76-6.24

THIS WORK SHALL CONSIST OF FULL DEPTH PAVEMENT REMOVAL AND INSTALLING NEW PAVEMENT PER THE DETAIL BELOW AT THE DIRECTION OF THE ENGINEER.

THIS ITEM SHALL COVER PAVEMENT REMOVAL, SUBGRADE COMPACTION, AGGREGATE BASE, AND ASPHALT CONCRETE BASE. THE FOLLOWING QUANTITY HAS BEEN CARRIED TO THE GENERAL SUMMARY FOR THIS WORK:
ITEM 253, PAVEMENT REPAIR 2500 CY



RAMPS AT IR 71 AND SR 73

RAMPS AT IR 71 AND SR 73 AT NOT INCLUDED IN THIS PROJECT.

SIGN AT DENNY RD

SIGN AT DENNY RD WILL NEED TO BE RELOCATED DUE TO GUARDRAIL UPGRADE. QUANTITIES ARE CARRIED TO THE GENERAL SUMMARY.

ITEM 630 NO. 3 POST	<u>12 FT</u>
ITEM 630 REMOVAL OF GROUND MOUNTED SIGN AND REERECTION	<u>2 EACH</u>
ITEM 630 REMOVAL OF GROUND MOUNTED POST AND DISPOSAL.	<u>1 EACH</u>

I:\ProjectData\WAR\98568_WAR_CU-73-20.05_0.00\Design\Roadway\Sheets\98568_GN001.dgn Sheet 3/9/2020 12:34:58 PM Jdavis4

CAESAR CREEK PARK

THE CONTRACTOR SHALL MAINTAIN SAFE PUBLIC ACCESS TO CAESAR CREEK STATE PARK AT ALL TIMES DURING CONSTRUCTION ACTIVITIES VIA FLAGGING OPERATIONS AND/OR A DETOUR APPROVED BY THE PROJECT ENGINEER.

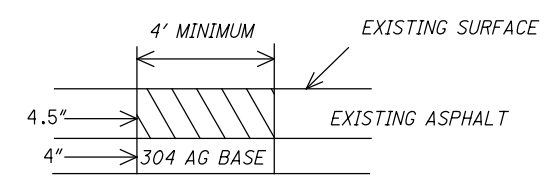
PRIOR TO THE START OF CONSTRUCTION ACTIVITIES, THE CONTRACTOR SHALL INSTALL SIGNAGE APPROVED BY THE ENGINEER TO ALERT CAESAR CREEK STATE PARK USERS OF CONSTRUCTION ACTIVITIES AND ACCESS RESTRICTIONS OR CLOSURES, AND TO DIRECT USERS TO SECONDARY ACCESS POINTS.

THE CONTRACTOR SHALL NOT STORE OR STAGE CONSTRUCTION EQUIPMENT OR MATERIALS WITHIN THE CAESAR CREEK STATE PARK BOUNDARIES, OUTSIDE OF PROPOSED CONSTRUCTION LIMITS, EXCEPT FOR AREA(S) APPROVED BY THE OFFICIAL WITH JURISDICTION SPECIFICALLY FOR STORAGE AND STAGING OF EQUIPMENT PER CMS 107.10. CONTRACTOR SHALL NOT IMPEDE THE USE OF THE PARK FACILITIES.

THE CONTRACTOR SHALL PROVIDE THE CONSTRUCTION SCHEDULE TO ODOT'S PROJECT ENGINEER AND ERIC EVANOO (614) 265-6957 OR ERIC.EVANOO@DNR.STATE.OH.US WITH ODNR 30 DAYS PRIOR TO THE START OF CONSTRUCTION ACTIVITIES.

ITEM 253- PAVEMENT REPAIR, (C)

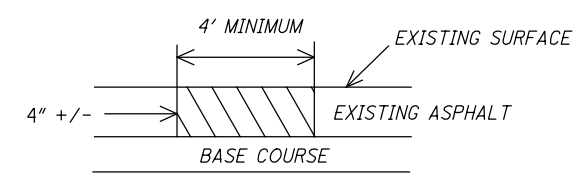
AN ESTIMATED QUANTITY OF 304 CU YDS OF ITEM 253- PAVEMENT REPAIR HAS BEEN CARRIED TO THE GENERAL SUMMARY.



EXISTING DETERIORATED ASPHALT AND SUBBASE SHALL BE REMOVED TO A MAXIMUM DEPTH OF 8.5" INCHES OR AS DIRECTED BY THE ENGINEER AND REPLACED WITH ITEM 301, ASPHALT BASE AND ITEM 304 AGGREGATE BASE. THE BASE SHALL BE COMPACTED AS PER 401.15 AND IN APPROXIMATELY EQUAL LAYERS. THERE ARE TWO AREAS CALLED OUT ON SHEET 21 WORK IS TO TAKE PLACE ON MAIN ROAD AT THE ENTRANCE, AND AT THE ENTRANCE FROM THE MAIN ROAD TO THE MARINA.

ITEM 253- PAVEMENT REPAIR (D)

AN ESTIMATED QUANTITY OF 200 CU YDS OF ITEM 253- PAVEMENT REPAIR HAS BEEN CARRIED TO THE GENERAL SUMMARY TO BE USED AS DIRECTED BY THE ENGINEER.



EXISTING DETERIORATED ASPHALT SHALL BE REMOVED TO A MAXIMUM DEPTH OF 4" INCHES OR AS DIRECTED BY THE ENGINEER AND REPLACED WITH ITEM 301, ASPHALT BASE. THE BASE SHALL BE COMPACTED AS PER 401.15 AND IN APPROXIMATELY EQUAL LAYERS. THERE ARE FOUR SPECIFIC REPAIR AREAS CALLED OUT ON SHEET 22 ALL OTHER LOCATIONS SHALL BE DETERMINED BY THE ENGINEER AND A REPRESENTATIVE FROM CAESAR CREEK PARK.

ITEM 423- CRACK SEALING, TYPE II OR TYPE III

THE CONTRACTOR HAS THE OPTION OF USING EITHER TYPE II OR TYPE III CRACK SEAL. THE CONTRACTOR SHALL SEAL ALL VISIBLE CRACKS OR AS DIRECTED BY THE ENGINEER. PAYMENT WILL BE MADE AT THE CONTRACT UNIT BID PRICE PER SQ. YD.

BEACH PARKING LOTS WILL BE CRACK SEALED AND NEW STRIPING FOR PARKING STALLS AND HANDICAP PARKING.

ITEM 441- RESURFACING ROAD TO YOUTH POND.

THE ROAD TO THE YOUTH POND WILL BE OVERLAYED WITH TYPE 441 ASPHALT CONCRETE. SEE SHEET 14 FOR QUANTITIES.

CAESAR CREEK PARK CONTACTS

ERIC EVANOO
OHIO DEPARTMENT OF NATURAL RESOURCES
DIVISION OF ENGINEER
Eric.Evanoo@dnr.state.oh.us
614-265-6957

CLINT TELLEP
ASSISTANT PARK MANAGER
clint.tellep@dnr.state.oh.us
937-308-2075

I:\ProjectData\WAR\98568_WAR_CLI-73-20.05_0.00\Design\Roadway\Sheets\98568_GN002.dgn Sheet 3/9/2020 12:25:10 PM jDavis4