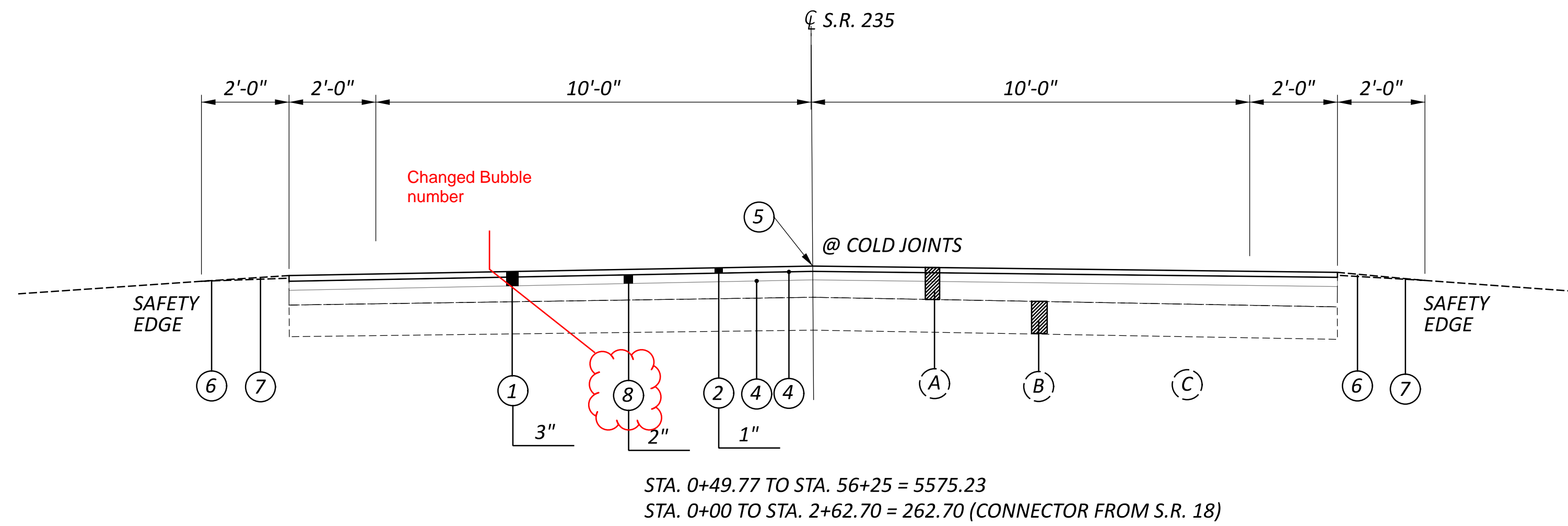
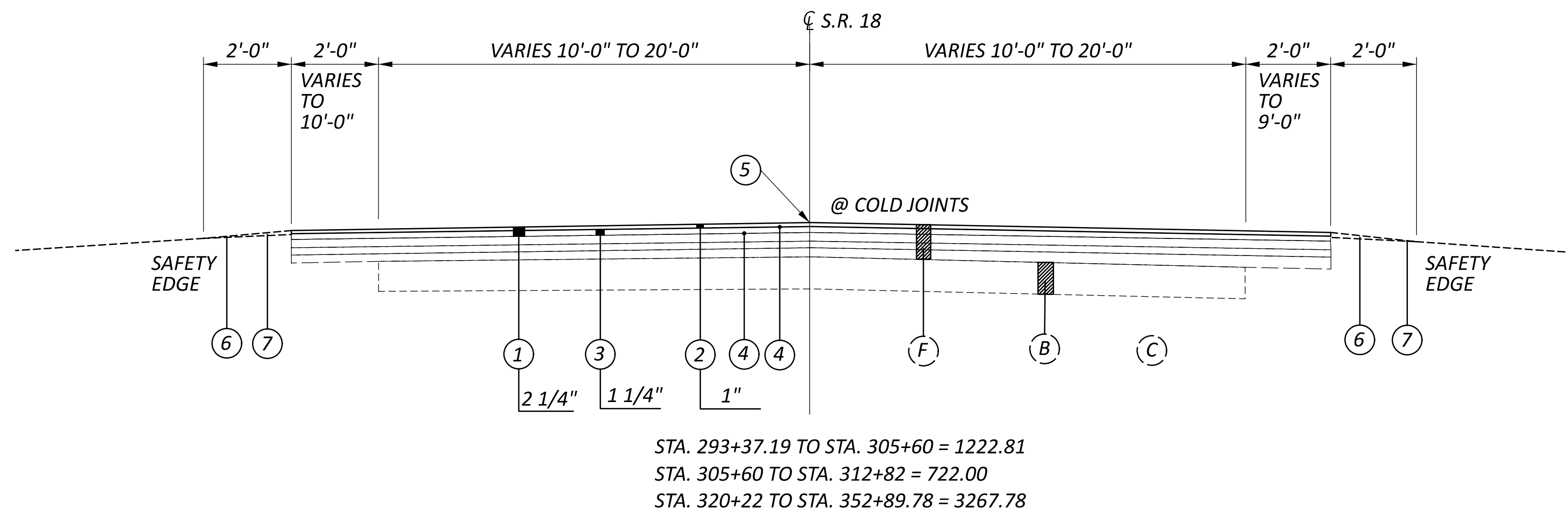


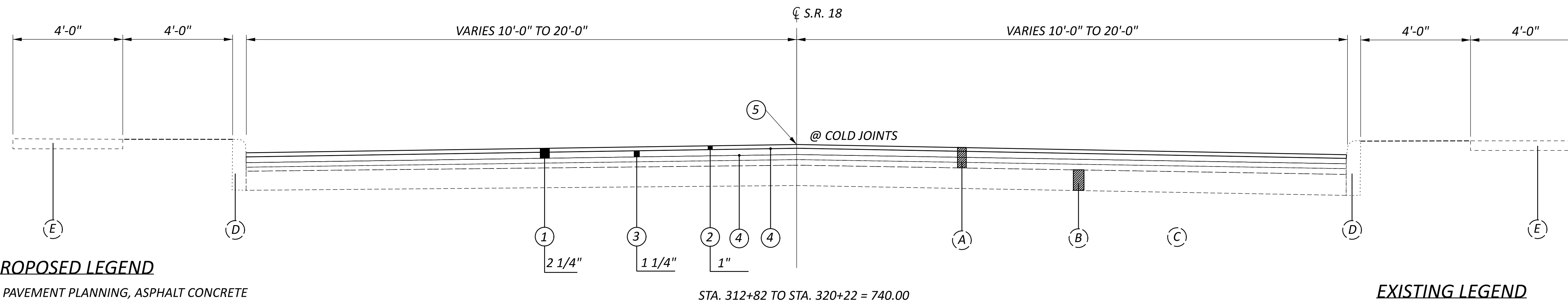
TYPICAL SECTION "A"



TYPICAL SECTION "B"



TYPICAL SECTION "C"



PROPOSED LEGEND

- ① ITEM 254 - PAVEMENT PLANNING, ASPHALT CONCRETE
- ② ITEM 424 - FINE GRADED POLYMER ASPHALT CONCRETE, TYPE B (448), AS PER PLAN
- ③ ITEM 441 - ASPHALT CONCRETE INTERMEDIATE COURSE, TYPE 1, (448)
- ④ ITEM 407 - TACK COAT
- ⑤ ITEM 875 - LONGITUDINAL JOINT ADHESIVE
- ⑥ ITEM 617 - COMPACTED AGGREGATE
- ⑦ ITEM 442 - LINEAR GRADING
- ⑧ ITEM 441 - ASPHALT CONCRETE INTERMEDIATE COURSE, TYPE 2 (448)

EXISTING LEGEND

- (A) ASPHALT CONCRETE PAVEMENT
- (B) ASPHALT CONCRETE BASE
- (C) AGGREGATE BASE
- (D) CONCRETE CURB
- (E) CONCRETE SIDEWALK
- (F) 1 1/2" SURFACE
3/4" INTERMEDIATE
4 1/2" COLD IN PLACE RECYCLING

Added new bubble for correct item

