



UNDERWATER BRIDGE INSPECTION REPORT

STRUCTURE NO. 4805909 (LUC-280-0346)
I-280 OVER MAUMEE RIVER
LUCAS COUNTY, OH
DISTRICT 2

May 2020

Prepared for:



10/9/2020

Prepared by:

COLLINS
ENGINEERS INC.

124 Venture Court, Suite 10

Lexington, Kentucky 40511

859.367.0097 • www.collinsengr.com

UNDERWATER INSPECTION

I-280 over Maumee River • Structure No. 4805909 (LUC-280-0346)
Lucas County, OH • May 2020



TABLE OF CONTENTS

EXECUTIVE SUMMARY

1.0 INTRODUCTION 1

 1.1 Purpose and Scope 1

 1.2 General Description of the Structure 1

 1.3 Method of Investigation 1

2.0 EXISTING CONDITIONS 2

 2.1 General Conditions 2

 2.2 Substructure Conditions 3

 2.2.1 Pier 28 3

3.0 EVALUATION AND RECOMMENDATIONS 3

EXHIBIT 1 – FIGURES 4

 LOCATION MAP

 SOUNDING PLAN

 CHANNEL CROSS SECTIONS - UPSTREAM

 CHANNEL CROSS SECTIONS - CENTERLINE

 CHANNEL CROSS SECTIONS - DOWNSTREAM

 PIER 28

EXHIBIT 2 – INSPECTION PHOTOGRAPHS 11

 Photograph No. 1: Overall View of Structure No. 4805909 (LUC-280-0346), Looking Northeast.

 Photograph No. 2: Overall View of Structure No. 4805909 (LUC-280-0346), Looking Southwest.

 Photograph No. 3: View of the Northwest Embankment Upstream of the Structure, Looking West.

 Photograph No. 4: View of the Northwest Embankment at the Structure, Looking Northwest.

 Photograph No. 5: View of the Northwest Embankment Downstream of the Structure, Looking North.

 Photograph No. 6: View of the Southeast Embankment Upstream of the Structure, Looking Southeast.

 Photograph No. 7: View of the Southeast Embankment at the Structure, Looking East.

 Photograph No. 8: View of the Southeast Embankment Downstream of the Structure, Looking East.

 Photograph No. 9: View of the North Face of Pier 28, Looking Southeast.

 Photograph No. 10: View of the South Face of Pier 28, Looking North.

 Photograph No. 11: View of the Typical Concrete Condition at the Waterline, Looking North.

EXHIBIT 3 – UNDERWATER DIVE INSPECTION PROCEDURE CHECKLIST 18

UNDERWATER INSPECTION

I-280 over Maumee River • Structure No. 4805909 (LUC-280-0346)

Lucas County, OH • May 2020



EXECUTIVE SUMMARY

Project: ODOT District 2 Underwater Bridge Inspections - 2020

Purpose of Project: To perform a detailed visual and tactile underwater investigation of scour critical bridges for District 2 of the Ohio Department of Transportation.

Inspection Team: Team Leader – Joshua Johnson, P.E. – Collins Engineers, Inc.
Team Member – Matthew Rogers, E.I.T. – Collins Engineers, Inc.
Team Member – Nicholas Lane – Collins Engineers, Inc.

Inspection Date(s): May 12, 2020

Water Visibility:	1 ft	Water Velocity:	1 ft/s
Water Temperature:	55 °F	Weather:	Clear – 50 °F
Waterline Elevation:	557.4 ft	Type of Boat:	23 ft Carolina Skiff
Coordinates:	41.6610129°N, -83.5115627°W		
Access Location:	Walbridge Park Ramp		
Dive Mode:	Surface Supplied Air		
Waterline Reference:	10.0 ft below the start of taper on Pier 28.		
Maximum Depth at SSU:	36.0 ft – Southwest Corner of Pier 28		
Shoreline Conditions:	The north and south shorelines consisted of sparsely vegetated, well-protected, moderate slopes with no signs of erosion.		

Summary of Findings:

- **Pier 28:**
 - The channel bottom material consisted of sand and scattered riprap up to 12 in. diameter with no probe rod penetration.
 - The submerged portions of the pier were sound and smooth with no defects observed.

Summary of Recommendations:

- Monitor channel bottom in the vicinity of Pier 28.
- Monitor concrete condition of Pier 28.

UNDERWATER INSPECTION

I-280 over Maumee River • Structure No. 4805909 (LUC-280-0346)

Lucas County, OH • May 2020



Underwater Inspection Coding:

NBI Ratings:

Item	Description	Coding	Condition
60	Substructure	8 – Very Good Condition	No Defects Observed
61	Channel	8 – Very Good Condition	No Defects Observed
62	Culvert	N/A	
92B	UW Insp. Frequency	60 Months	
93B	Insp. Date	05 12 20	
113	Scour Critical Bridges	8 – Above Foundation Limits	Stable (Inspector Recommended)

AASHTO National Bridge Element (NBE) Ratings:

Element #	Description	Units	Total	Condition State			
				1	2	3	4
210	Reinforced Concrete Pier Wall	LF	30	30	0	0	0

Note: Ratings were developed using the FHWA Recording and Coding Guide for the Structure Inventory and Appraisal of the Nation's Bridges. The recommended ratings consider inspected elements located within the waterway and conditions existing below the water surface only. Additional consideration is necessary for the assignment of overall condition ratings for this bridge.

UNDERWATER INSPECTION

I-280 over Maumee River • Structure No. 4805909 (LUC-280-0346)
Lucas County, OH • May 2020



1.0 INTRODUCTION

1.1 Purpose and Scope

This report consists of the results of a detailed underwater investigation performed at the I-280 Bridge over Maumee River in Lucas County, OH. Collins Engineers, Inc. (Collins) conducted the underwater investigation for District 2 of the Ohio Department of Transportation (ODOT) on May 12, 2020. The primary purpose of the investigation was as follows:

- Determine the condition of the substructure components located in the water at the time of the inspection from the waterline to the channel bottom.
- Obtain channel bottom depth measurements along the bridge fascias, upstream and downstream of the bridge, and around the submerged substructure units.
- Obtain channel profile cross sections at the upstream and downstream fascias.
- Determine the condition of the shorelines in the vicinity of the structure.
- Obtain photographs of the bridge and any significant defects.

In addition, a brief inspection was made of areas that could be submerged during periods of high water. The following report includes a description of the structure, the method of investigation, a description of existing conditions, an evaluation and recommendations based on the conditions, inspection figures, and photographs.

1.2 General Description of the Structure

Structure No. 4805909 (LUC-280-0346) spans 8,802, carrying I-280 over Maumee River and is approximately 80 ft wide. The bridge superstructure is constructed of 58 continuous steel plate girder spans. The roadway orientation of the longitudinal axis of the bridge is south to north. The substructure units are labeled as Abutments 1 and 2 and Piers 1 through 59. Existing design drawings were not available at the time of the inspection. Refer to Figure 1 in Exhibit 1 for a Location Map of the bridge. Refer to Photographs 1 and 2 in Exhibit 2 for overall views of the bridge.

1.3 Method of Investigation

A detailed field inspection was conducted to determine the physical condition of the submerged bridge substructure units from the waterline to the channel bottom. A brief visual examination of the substructure units above the waterline was also made.

UNDERWATER INSPECTION

I-280 over Maumee River • Structure No. 4805909 (LUC-280-0346)
Lucas County, OH • May 2020



A three-person team consisting of a professional engineer-diver and team leader (Joshua Johnson, P.E.) and two engineer divers (Matthew Rogers, E.I.T. and Nicholas Lane) conducted the underwater inspection. The inspection was conducted using surface supplied air diving equipment. During the inspection, the inspectors worked from a boat and a note taker in the boat recorded the inspection notes.

The underwater inspection consisted of a visual and tactile examination of the accessible surfaces of the substructure units from the waterline to the channel bottom with particular attention given to any observed areas of deterioration or apparent distress. Approximately 10 percent of the total area on the underwater surfaces of the substructure units was cleaned so that the condition could be more closely examined. Photographs were taken to document the general conditions and observed deficiencies. Underwater photographs could not be obtained due to poor water conditions. The type of channel bottom material, the presence or extent of scour, the presence or extent of riprap, the presence or extent of drift and debris, and the location of any foundation exposure or undermining were noted.

Channel bottom soundings were performed utilizing a digital fathometer and pneumofathometer. Soundings were collected at quarter points along the bridge centerline as well as at quarter points along the upstream and downstream fascias and 50 ft fascias. Additional soundings were collected adjacent to Pier 28 and at 10 foot intervals in-line with the piers, upstream and downstream, and the waterline was referenced to a known elevation on the bridge. A sounding plan was developed using the soundings and approximate location of the shorelines. Refer to Figures 2 through 5 in Exhibit 1 for the sounding plan and channel cross sections that show the channel limits and water depths around the structure.

2.0 EXISTING CONDITIONS

2.1 General Conditions

At the time of the inspection, the waterline of 4805909 (LUC-280-0346) was located approximately 10.0 ft below the start of taper on Pier 28, which corresponds to a waterline elevation of 557.4 ft. During the inspection, the waterway was flowing at approximately 1 ft per second. The bridge pier skew was consistent with the channel alignment and does not require attention at this time. The north and south shorelines consisted of sparsely vegetated, well-protected, moderate slopes with no signs of erosion. Refer to Photographs 3 through 8 in Exhibit 2 for views of the shorelines near the structure.

UNDERWATER INSPECTION

I-280 over Maumee River • Structure No. 4805909 (LUC-280-0346)

Lucas County, OH • May 2020



2.2 Substructure Conditions

2.2.1 *Pier 28*

The channel bottom material consisted of sand and scattered riprap up to 12 in. diameter with no probe rod penetration. The submerged portions of the pier were sound and smooth with no defects observed. Refer to Figure 6 in Exhibit 1 for detailed inspection notes of Pier 28. Refer to Photographs 9 through 11 in Exhibit 2 for views of Pier 28 and typical concrete condition at the waterline.

3.0 EVALUATION AND RECOMMENDATIONS

Overall, the inspected substructure units of Structure No. 4805909 (LUC-280-0346) were in very good condition. A comparison of the soundings recorded during the previous inspection on June 25, 2015 and the soundings taken during this inspection revealed no significant change in the channel bottom profile in the vicinity of the structure. Although no channel deficiencies were observed, the channel bottom should continue to be monitored during future underwater inspections to verify that localized scour or overall channel degradation is not occurring and that the pier footings remain adequately embedded in the channel bottom.

It is recommended that the submerged substructure units of Structure No. 4805909 (LUC-280-0346) be next inspected underwater at an interval not to exceed 60 months, no later than May 12, 2025.

Respectfully Submitted,
COLLINS ENGINEERS, INC.

A handwritten signature in black ink, appearing to read "Joshua Johnson".

Joshua Johnson, P.E.
Project Manager

Originated by:
Kevin Mitchell, E.I.T.

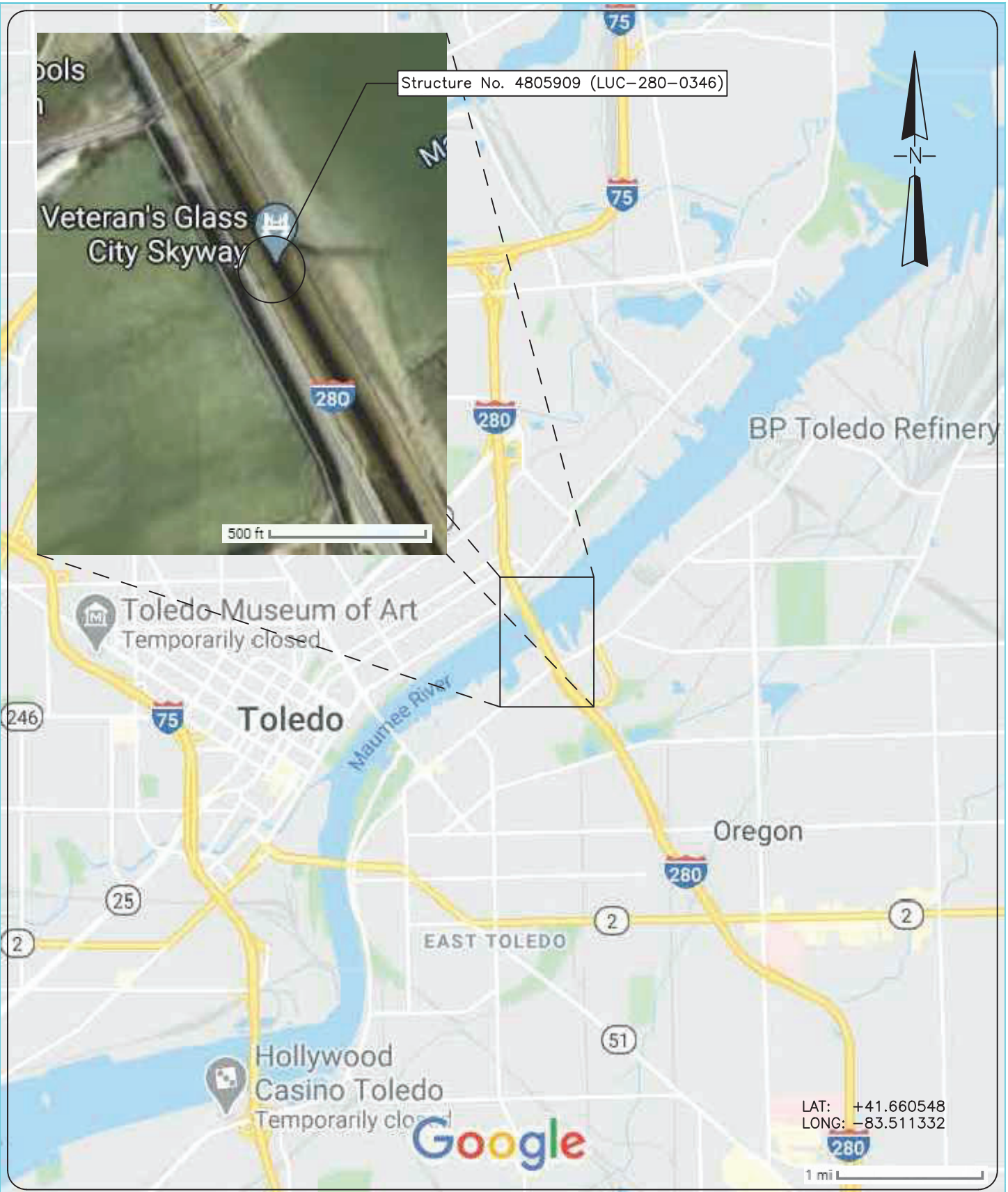
UNDERWATER INSPECTION

I-280 over Maumee River • Structure No. 4805909 (LUC-280-0346)

Lucas County, OH • May 2020



EXHIBIT 1 – FIGURES



COLLINS ENGINEERS

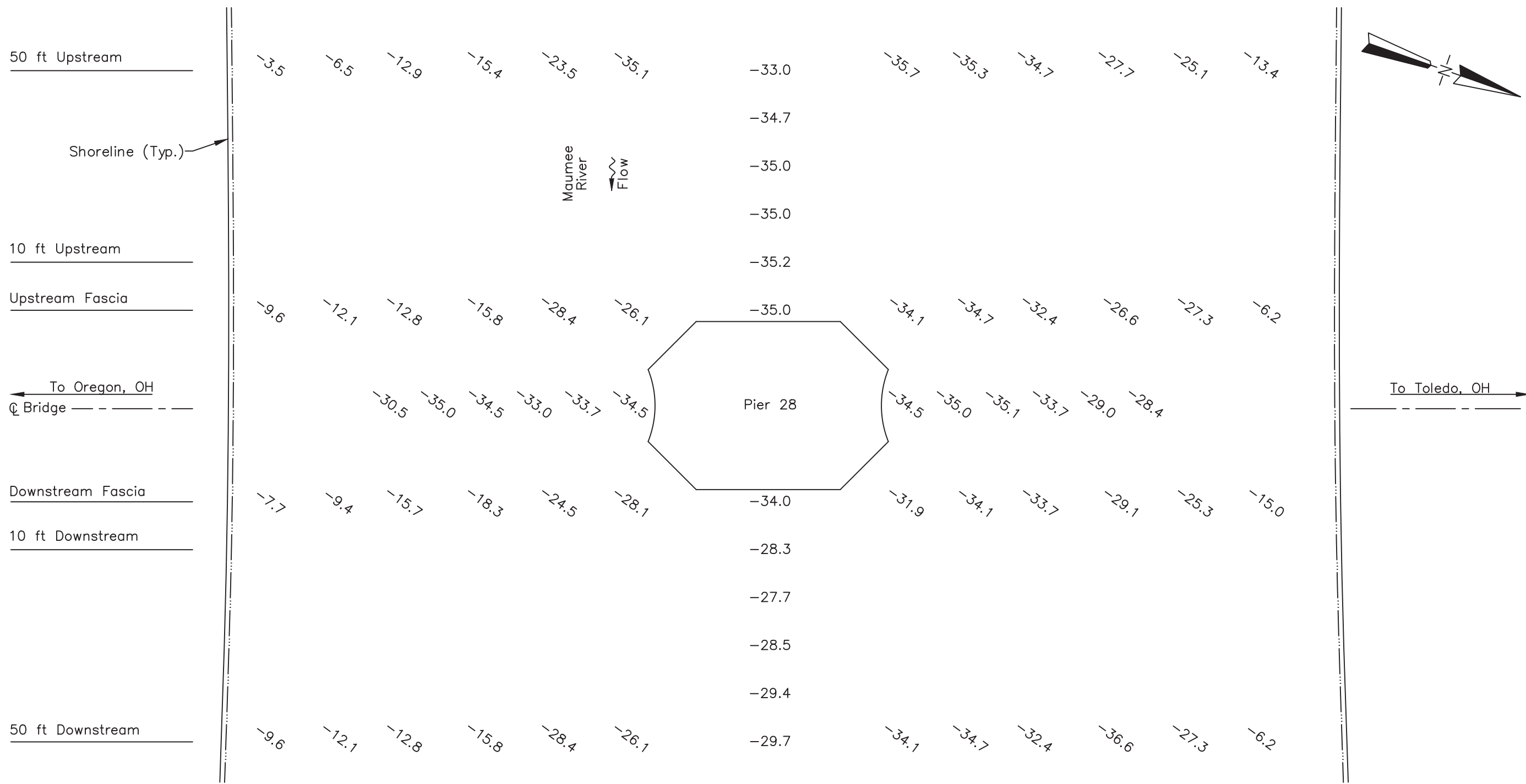
124 Venture Court, Ste 10
Lexington, KY 40511
Phone: 859-367-0097
Fax: 859-367-0140



Ohio Department of
Transportation, District 2
317 East Poe Rd.
Bowling Green, OH 45601
Phone: 419-353-8131

SR-280 OVER MAUMEE RIVER
STRUCTURE NO. 4805909
(LUC-280-0346)
LOCATION MAP
LUCAS COUNTY, OHIO

INSPECTED BY: JMJ	CEI PROJECT: 55-12239.00
DRAWN BY: BLV	DATE: 12 MAY 2020
CHECKED BY: JMJ	SHEET NO: 1



SOUNDING PLAN

GENERAL NOTES:

1. Pier 28 was inspected underwater. Substructure units are labeled according to available record drawings.
2. At the time of inspection on May 12, 2020, the waterline was located approximately 10.0 ft below Start of Taper on Pier 28 (EL. +567.4 ft). This corresponds with a waterline elevation of +557.4 ft.
3. Soundings indicate the water depth at the time of inspection and are measured in feet.
4. Soundings were taken parallel to the bridge at the upstream and downstream fascias, at 10 ft intervals between the substructure units, and at 10 ft intervals in-line with the piers upstream and downstream up to 50 ft.

LEGEND

- 2.7 Sounding Depth from Waterline (ft)
- Timber Debris

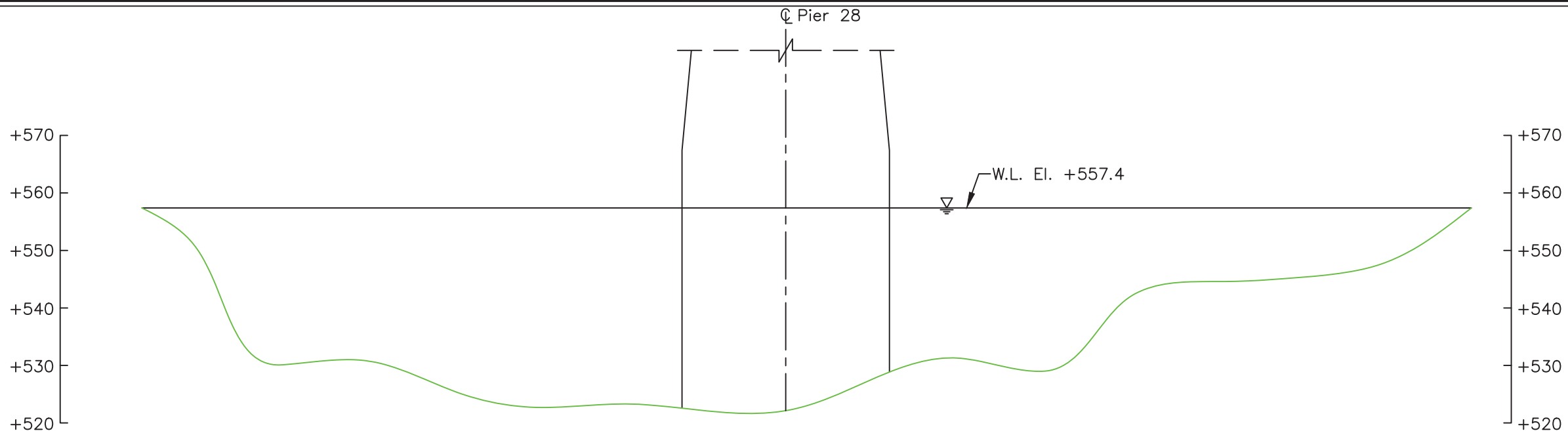
COLLINS ENGINEERS
 124 Venture Court, Ste 10
 Lexington, KY 40511
 Phone: 859-367-0097
 Fax: 859-367-0140



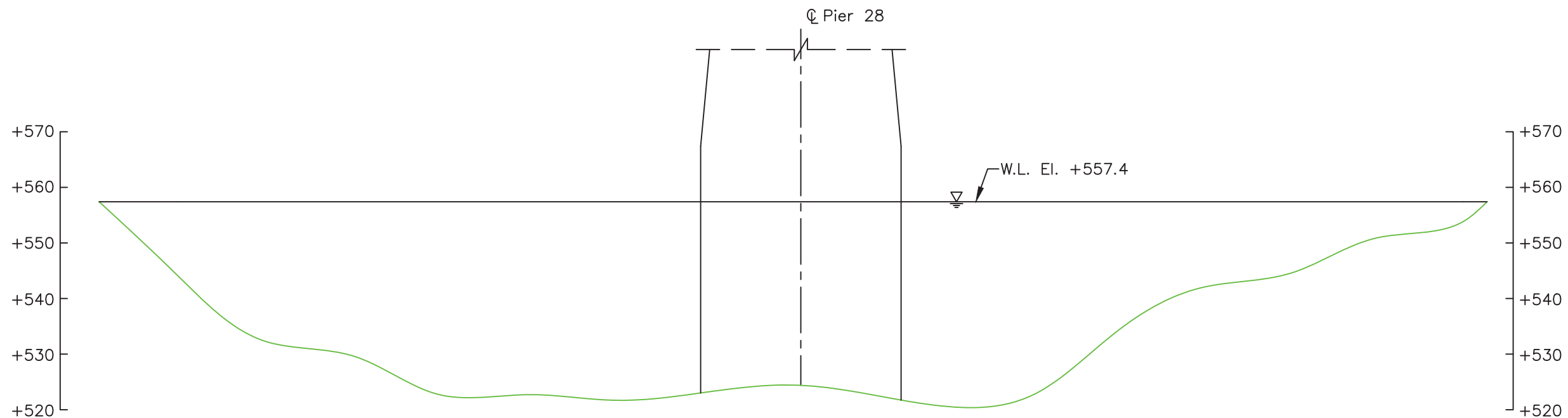
Ohio Department of Transportation, District 2
 317 East Poe Rd.
 Bowling Green, OH 45601
 Phone: 419-353-8131

I-280 OVER MAUMEE RIVER
 STRUCTURE NO. 4805909 (LUC-280-0346)
 SOUNDING PLAN
 LUCAS COUNTY, OHIO

CEI PROJECT
 55-12239.00
 INSPECTED BY:
 JMJ
 DRAWN BY:
 BLV
 CHECKED BY:
 JMJ
 DATE:
 MAY 2020
 SHEET NO:
 2



CHANNEL CROSS SECTION
UPSTREAM FASCIA
(LOOKING DOWNSTREAM)



CHANNEL CROSS SECTION
50 FT UPSTREAM
(LOOKING DOWNSTREAM)

LEGEND

- Approximate Channel Bottom – May 2020
- - - Approximate Channel Bottom – June 2015 (No Data)
- - - Approximate Channel Bottom – June 2010 (No Data)
- Timber Debris
- Water Surface
- +450 Elevation (ft)

Note:

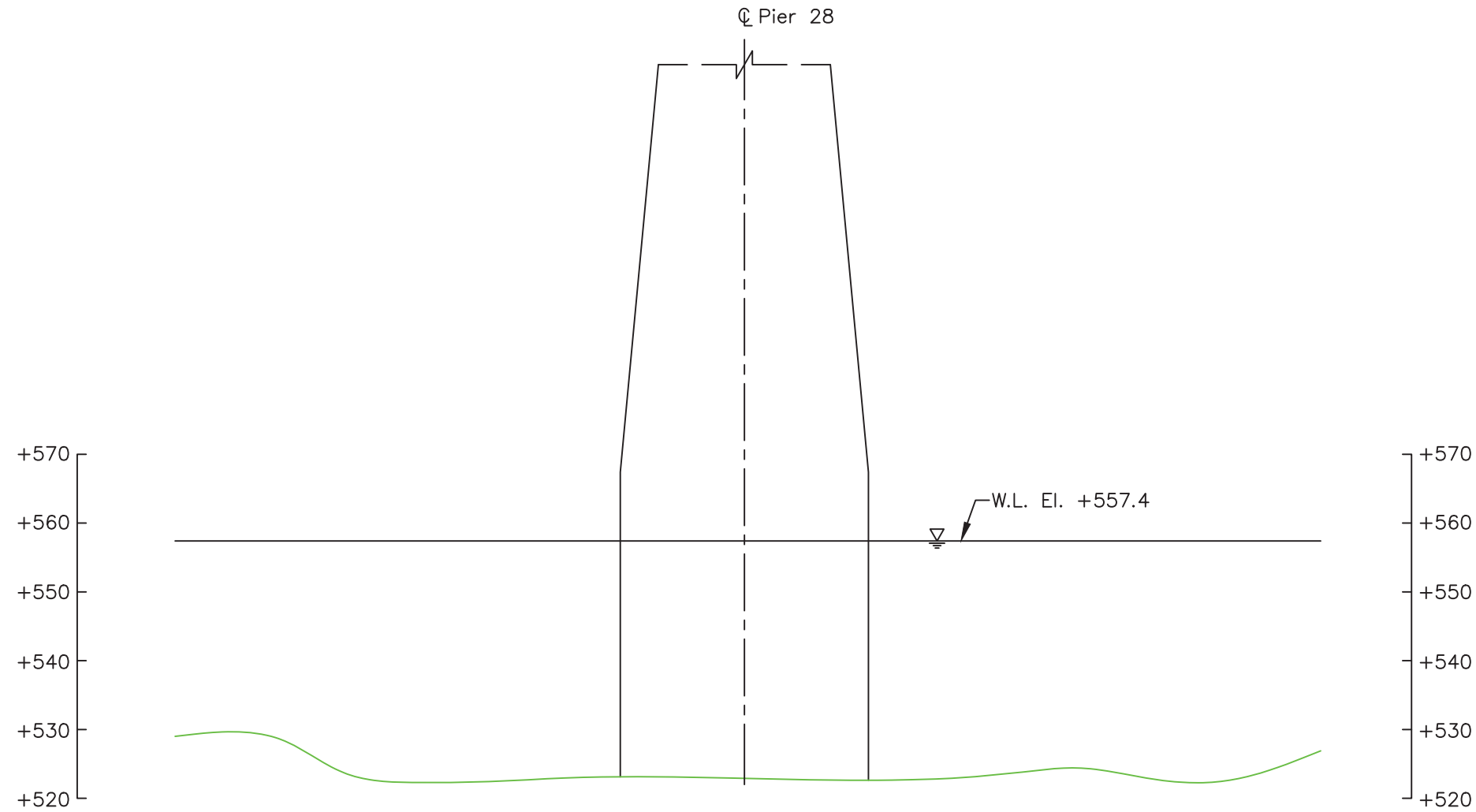
1. Footing elevations unknown due to unavailable record drawings.
2. Unable to obtain channel profile measurements from top of deck due to construction.

COLLINS ENGINEERS
124 Venture Court, Ste 10
Lexington, KY 40511
Phone: 859-367-0097
Fax: 859-367-0140

Ohio Department of Transportation, District 2
317 East Poe Rd.
Bowling Green, OH 43401
Phone: 419-353-8131







I-280 OVER MAUMEE RIVER
STRUCTURE NO. 4805909 (LUC-280-0346)
CROSS SECTIONS - UPSTREAM
LUCAS COUNTY, OHIO

CEI PROJECT
55-12239.00
INSPECTED BY:
JMJ
DRAWN BY:
BLV
CHECKED BY:
JMJ
DATE:
MAY 2020
SHEET NO:
3



CHANNEL CROSS SECTION
STRUCTURE CENTERLINE
(LOOKING DOWNSTREAM)

LEGEND

-  Approximate Channel Bottom – May 2020
-  Approximate Channel Bottom – June 2015 (No Data)
-  Approximate Channel Bottom – June 2010 (No Data)
-  Timber Debris
-  Water Surface
-  Elevation (ft)

Note:

Footings elevations unknown due to unavailable record drawings.

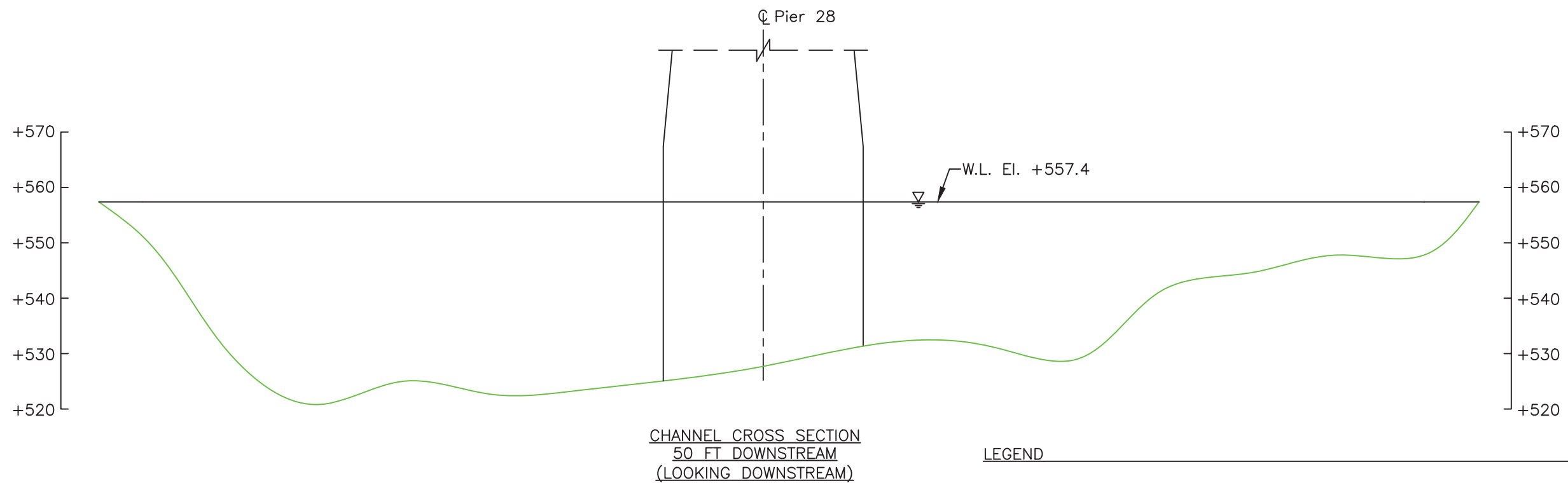
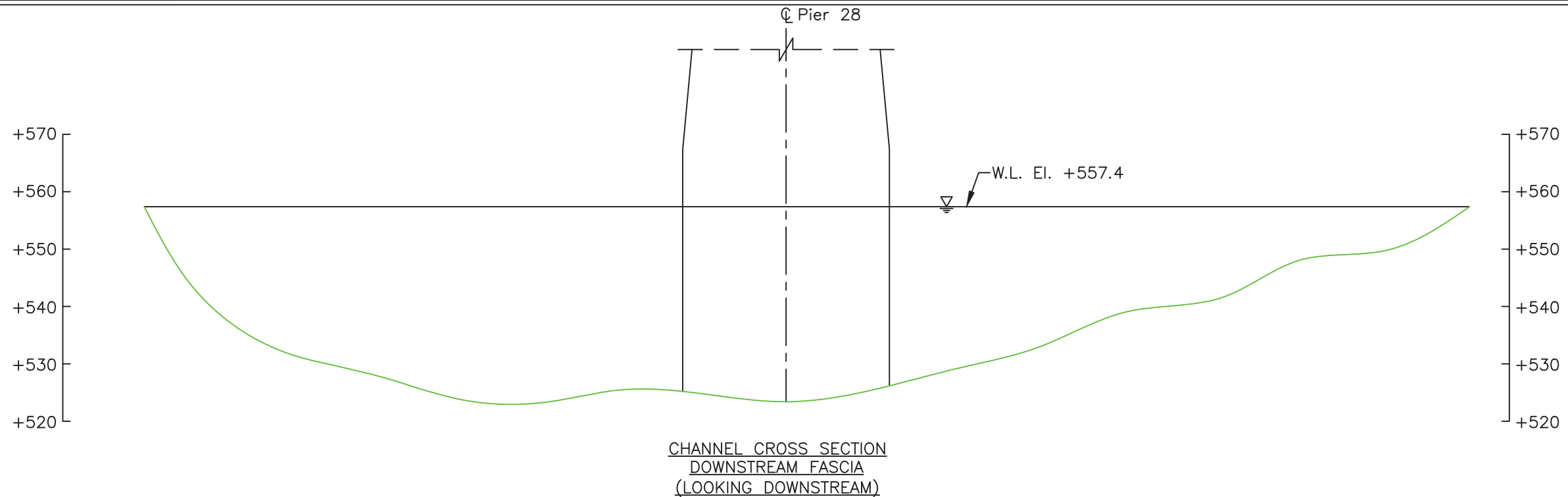
COLLINS ENGINEERS
124 Venture Court, Ste 10
Lexington, KY 40511
Phone: 859-367-0097
Fax: 859-367-0140



Ohio Department of Transportation, District 2
317 East Poe Rd.
Bowling Green, OH 45601
Phone: 419-353-8131

I-280 OVER MAUMEE RIVER
STRUCTURE NO. 4805909 (LUC-280-0346)
CROSS SECTIONS - CENTERLINE
LUCAS COUNTY, OHIO

CEI PROJECT
55-12239.00
INSPECTED BY:
JMJ
DRAWN BY:
BLV
CHECKED BY:
JMJ
DATE:
MAY 2020
SHEET NO:
4



LEGEND	
	Approximate Channel Bottom - May 2020
	Approximate Channel Bottom - June 2015 (No Data)
	Approximate Channel Bottom - June 2010 (No Data)
	Timber Debris
	Water Surface
+450	Elevation (ft)

Note:

1. Footing elevations unknown due to unavailable record drawings.
2. Unable to obtain channel profile measurements from top of deck due to construction.

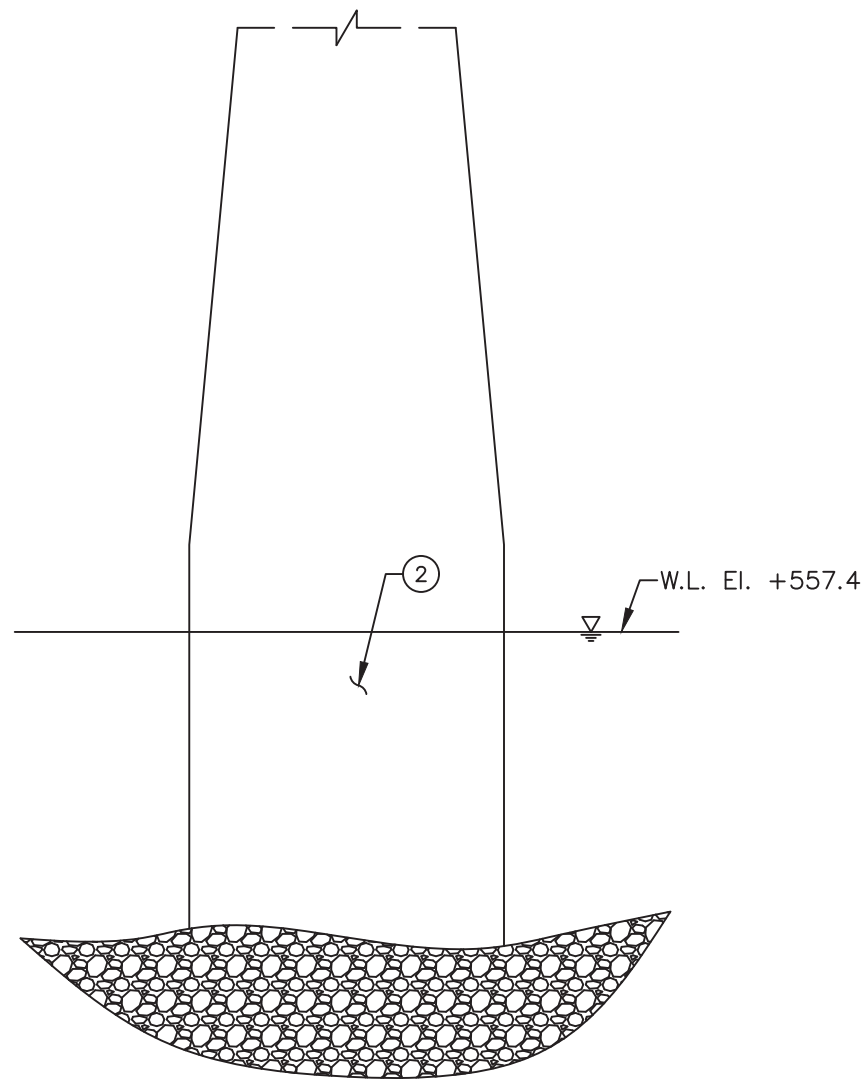
COLLINS ENGINEERS
 124 Venture Court, Ste 10
 Lexington, KY 40511
 Phone: 859-367-0097
 Fax: 859-367-0140



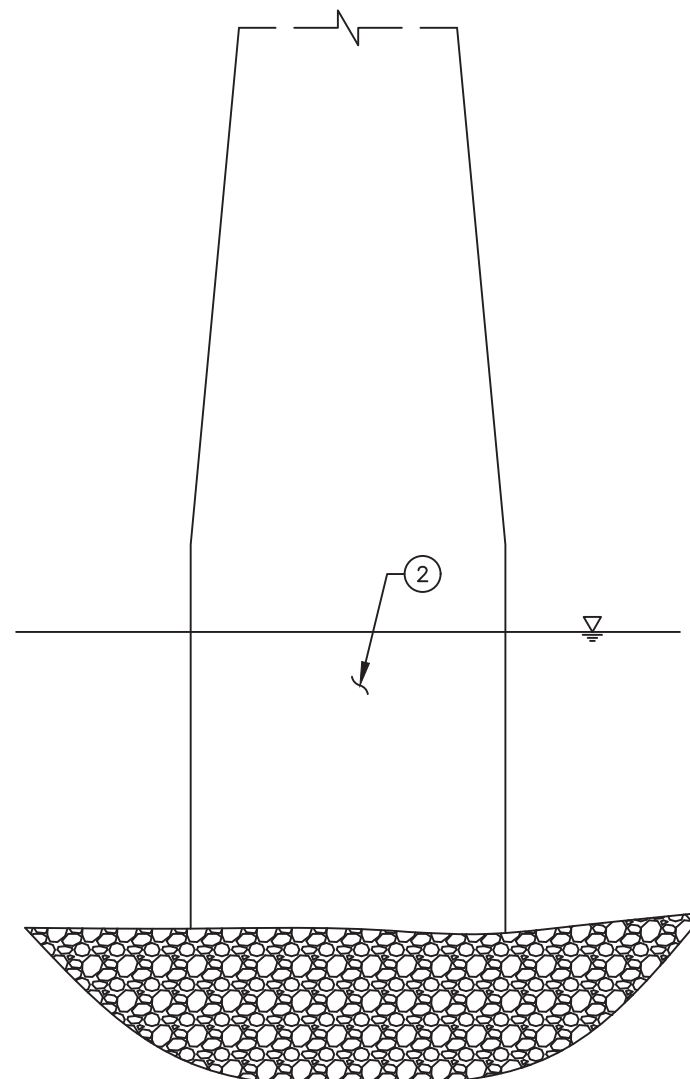
Ohio Department of Transportation, District 2
 317 East Poe Rd.
 Bowling Green, OH 45601
 Phone: 419-353-8131

I-280 OVER MAUMEE RIVER
 STRUCTURE NO. 4805909 (LUC-280-0346)
 CROSS SECTIONS - DOWNSTREAM
 LUCAS COUNTY, OHIO

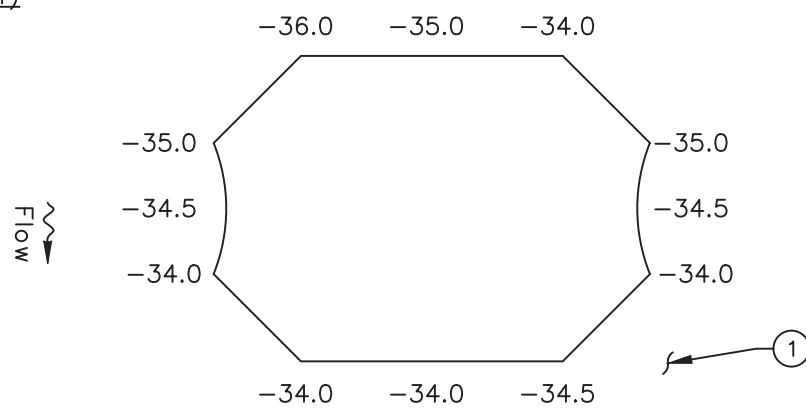
CEI PROJECT
 55-12239.00
 INSPECTED BY:
 JMJ
 DRAWN BY:
 BLV
 CHECKED BY:
 JMJ
 DATE:
 MAY 2020
 SHEET NO:
5



WEST ELEVATION
(LOOKING EAST)



EAST ELEVATION
(LOOKING WEST)



PLAN

LEGEND

- 2.7 Sounding Depth from Waterline (ft)
- Approximate Channel Bottom - May 2020
- Timber Debris
- Water Surface

INSPECTION NOTES:

- ① The channel bottom material consisted of sand and scattered rip-rap up to 12 in. diameter with no probe rod penetration.
- ② The submerged portions of the pier were sound and smooth with no defects observed.

COLLINS ENGINEERS
 124 Venture Court, Ste 10
 Lexington, KY 40511
 Phone: 859-367-0097
 Fax: 859-367-0140

Ohio Department of Transportation, District 2
 317 East Poe Rd.
 Bowling Green, OH 45601
 Phone: 419-353-8131

I-280 OVER MAUMEE RIVER
 STRUCTURE NO. 4805909 (LUC-280-0346)
 PIER 28
 LUCAS COUNTY, OHIO

CEI PROJECT
 55-12239.00
 INSPECTED BY:
 JMJ
 DRAWN BY:
 BLV
 CHECKED BY:
 JMJ
 DATE:
 MAY 2020
 SHEET NO:
 6

UNDERWATER INSPECTION

I-280 over Maumee River • Structure No. 4805909 (LUC-280-0346)

Lucas County, OH • May 2020



EXHIBIT 2 – INSPECTION PHOTOGRAPHS

UNDERWATER INSPECTION

I-280 over Maumee River • Structure No. 4805909 (LUC-280-0346)

Lucas County, OH • May 2020



Photograph No. 1: Overall View of Structure No. 4805909 (LUC-280-0346), Looking Northeast.



Photograph No. 2: Overall View of Structure No. 4805909 (LUC-280-0346), Looking Southwest.

UNDERWATER INSPECTION

I-280 over Maumee River • Structure No. 4805909 (LUC-280-0346)

Lucas County, OH • May 2020



Photograph No. 3: View of the Northwest Embankment Upstream of the Structure, Looking West.



Photograph No. 4: View of the Northwest Embankment at the Structure, Looking Northwest.

UNDERWATER INSPECTION

I-280 over Maumee River • Structure No. 4805909 (LUC-280-0346)

Lucas County, OH • May 2020



Photograph No. 5: View of the Northwest Embankment Downstream of the Structure, Looking North.



Photograph No. 6: View of the Southeast Embankment Upstream of the Structure, Looking Southeast.

UNDERWATER INSPECTION

I-280 over Maumee River • Structure No. 4805909 (LUC-280-0346)

Lucas County, OH • May 2020



Photograph No. 7: View of the Southeast Embankment at the Structure, Looking East.



Photograph No. 8: View of the Southeast Embankment Downstream of the Structure, Looking East.

UNDERWATER INSPECTION

I-280 over Maumee River • Structure No. 4805909 (LUC-280-0346)

Lucas County, OH • May 2020



Photograph No. 9: View of the North Face of Pier 28, Looking Southeast.



Photograph No. 10: View of the South Face of Pier 28, Looking North.

UNDERWATER INSPECTION

I-280 over Maumee River • Structure No. 4805909 (LUC-280-0346)

Lucas County, OH • May 2020



Photograph No. 11: View of the Typical Concrete Condition at the Waterline, Looking North.

UNDERWATER INSPECTION

I-280 over Maumee River • Structure No. 4805909 (LUC-280-0346)

Lucas County, OH • May 2020



**EXHIBIT 3 – UNDERWATER DIVE INSPECTION PROCEDURE
CHECKLIST**

Underwater Dive Inspection Procedure Checklist

Acceptable written procedures communicate to the next dive team what is necessary to ensure a safe and successful inspection. Each bridge requiring underwater dive techniques must have a unique written inspection procedure. The prior inspection report does not suffice for the required procedures. It is valuable to review the last inspection notes, but they do not serve the same purpose as a stand-alone inspection procedure.

This document shall be completed for all underwater dive inspections. This document shall be reviewed prior to performing the field work and it shall be updated when necessary.

I. Bridge Identification

a. Agency with Inspection Responsibility: ODOT DISTRICT 2

Dive Frequency: 60 months

SFN: 4805909 Bridge Number (County-Route-SLM-SD): LUC-280-0346

Superstructure Type Main Span Type: CONTINUOUS STEEL BEAM

Approach Span: REINFORCED CONCRETE

Substructure Type Abutment Type: REINFORCED CONCRETE

Pier Type: REINFORCED CONCRETE

Total Pier Count: 59

Total Pier Count in water: 1

Foundations: UNKNOWN

Feature Intersected MAUMEE RIVER

b. Photographs

Endview



Elevation



Underside

II. Office and Field Assessment

Prior to the inspection, obtain and review copies of the previous underwater inspection reports, routine inspection reports, scour and hydraulic information, and design plans in preparation of the inspection.

Divers should pay particular attention given to any observed areas of deterioration, the channel conditions and factors that may accelerate material deterioration. Changes shall be noted in the inspection procedure. Site conditions should be reviewed prior to diving.

a. Channel Conditions

- Waterway features
- Rapid stream flows,
- Significant debris accumulation
- Constricted waterway openings
- Soft or unstable streambeds
- Meandering channels
- Other which may promote scour and undermining of substructure elements
- Navigable Waterway
- Flow Controls

b. Anticipated Water conditions which

may affect the inspection

- Cold Water (Apprx. Temp___)
- Black water
- Rapid stream flows
- Near military facility
- Tribal fishing
- Water quality
- History of Log jams

c. Identify factors that may accelerate the deterioration of the bridge elements:

- Highly corrosive water
- Unprotected steel members
- Other

Risk Factor Narrative:

III. **Contacts Prior to Work**

District 2 Bridge Engineer: David Geckle, P.E.

Email: david.geckle@dot.ohio.gov – Phone: 419-373-4377

Point of contact for immediate action such as closing the bridge due to findings)

Contact Bridge Owner 14 (number) days before the proposed underwater inspection.

Special contracting and scheduling procedures prior to inspection, include recommended lead time

Entity	Contact Name and Title	Contact Phone	Lead Time
Coast Guard	Coast Guard Station Toledo	419-729-2034	
Property Owner			
Access Equipment			
Lake or River draw-down			
Canal dry time			
Tree removal			
Other:			
Other:			

IV. **Dive Team Shall Include the Following:**

Dive Team Narrative:

The dive team consisted of one Team Leader (NBIS, P.E., ADCI) and two Team Members (NBIS, UW, ADCI).

Example: The Bridge shall be investigated using a three-member dive team: one supervisor to monitor rack box and take notes, one diver, and one tender/standby diver. There shall be one NBIS Team Leader onsite at all times.

V. **Site Information**

Navigable waterway:	Y / <u>N</u>	Anticipated current	<u>1</u> ft
If Yes, waterway river point	_____	Scour Critical (item 113):	_____
Anticipated water visibility depth	<u>1</u> ft	POA in place:	Y/ <u>N</u>
Anticipated Dive depth	<u>36</u> ft	Scour Monitoring devices present:	Y/ <u>N</u>

Verify the Scope of Services when work is contracted for the procedure for underwater elements that are not in water during an inspection.

Site Information Narrative:

The underwater inspection consists of a visual and tactile examination of the accessible surfaces of the substructure items in water. Additional items should reference the scope of services in the contract.

For reference the following items are in water:

Item	Number of Units	Level of Inspection (1, 2 or 3) with Commentary
Piers and Number of Columns	1	100% LEVEL I 10% LEVEL II
Abutment	N/A	
Culvert	N/A	
Scour Countermeasures	N/A	
Fenders or Dolphins	N/A	

Photographs should be taken, if water clarity permits, for typical conditions, conditions that have changed since last inspection and significant or noteworthy deficiencies. The type of channel bottom material, the presence or extent of scour, the presence or extent of riprap, the presence or extent of drift and debris, and the location of any foundation exposure or undermining shall be quantified. Include depth, length, height and location of deficiencies.

VI. Equipment and Field Logistics

a. The inspection should be conducted

using:

Chest waders

Hip waders

Diving equipment

SCUBA (Note that ADCI Consensus Standards require communication systems be employed for both SCUBA and Surface-Supplied (whether air or mixed-gas) dive modes)

SCUBA with communication

Surface Supplied with

communication

b. The channel bottom should be sounded

utilizing

Digital fathometer

Telescoping survey rod

acoustic imaging

c. During the inspection, the divers should

work from

Shore

Boat

Either

The note taker should work alongside the dive team.

d. Access to the waterway should be obtained from the shore (north bank, southwest quadrant, driveway 30 yards north etc.)

WALBRIDGE PARK BOAT RAMP

e. The maximum depth of the channel is typically measured _____ feet from

10FT. UPSTREAM FROM PIER 28

Reference Datum: 10FT. BELOW THE START OF TAPER ON PIER 28.

Soundings should be dictated by the scope of work. When not detailed in the scope they should be repeated from the previous soundings. If neither exist then they need to be taken in a grid pattern between substructure units 100' upstream and 100' downstream.

VII. Inspection Procedure History

Created: COLLINS ENGINEERS Date: 09/25/2020

Updated By: _____ Date: _____

Updated By: _____ Date: _____

Updated By: _____ Date: _____

Updated By: _____ Date: _____

Updated By: _____ Date: _____

VIII. Other Narrative Not Included In Previous Sections