

STATE OF OHIO
DEPARTMENT OF HIGHWAYS

S-432(4)

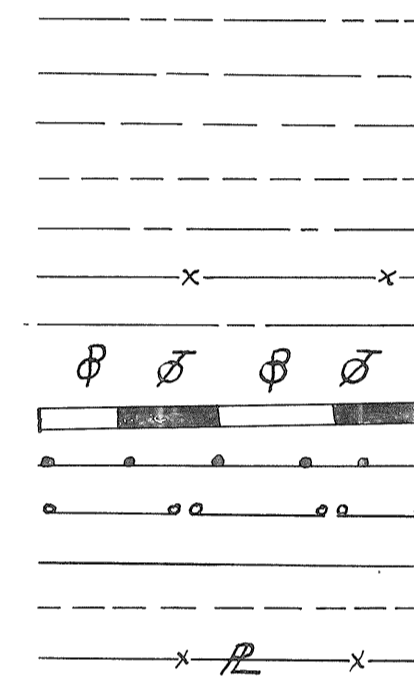
FED. RD. DIVISION	STATE	PROJECT	1/22
2	OHIO	5-432(4)	

PAULDING & DEFIANCE COUNTIES
PAU-III-24.00
DEF-III-(0.00)(1.13)

PAU-III-24.00 DEF-III-(0.00)(1.13)
PAULDING COUNTY DEFIANCE COUNTY
AUGLAIZE TOWNSHIP DEFIANCE TOWNSHIP

CONVENTIONAL SIGNS

- State Line
- County Line
- Township Line
- Section Line
- Corporation Line
- Fence Line
- Center Line
- Pole Line
- Bailroad
- Guard Rail, Proposed
- Guard Rail, Existing
- Drain Pipe, Proposed
- Drain Pipe, Existing
- Property Line



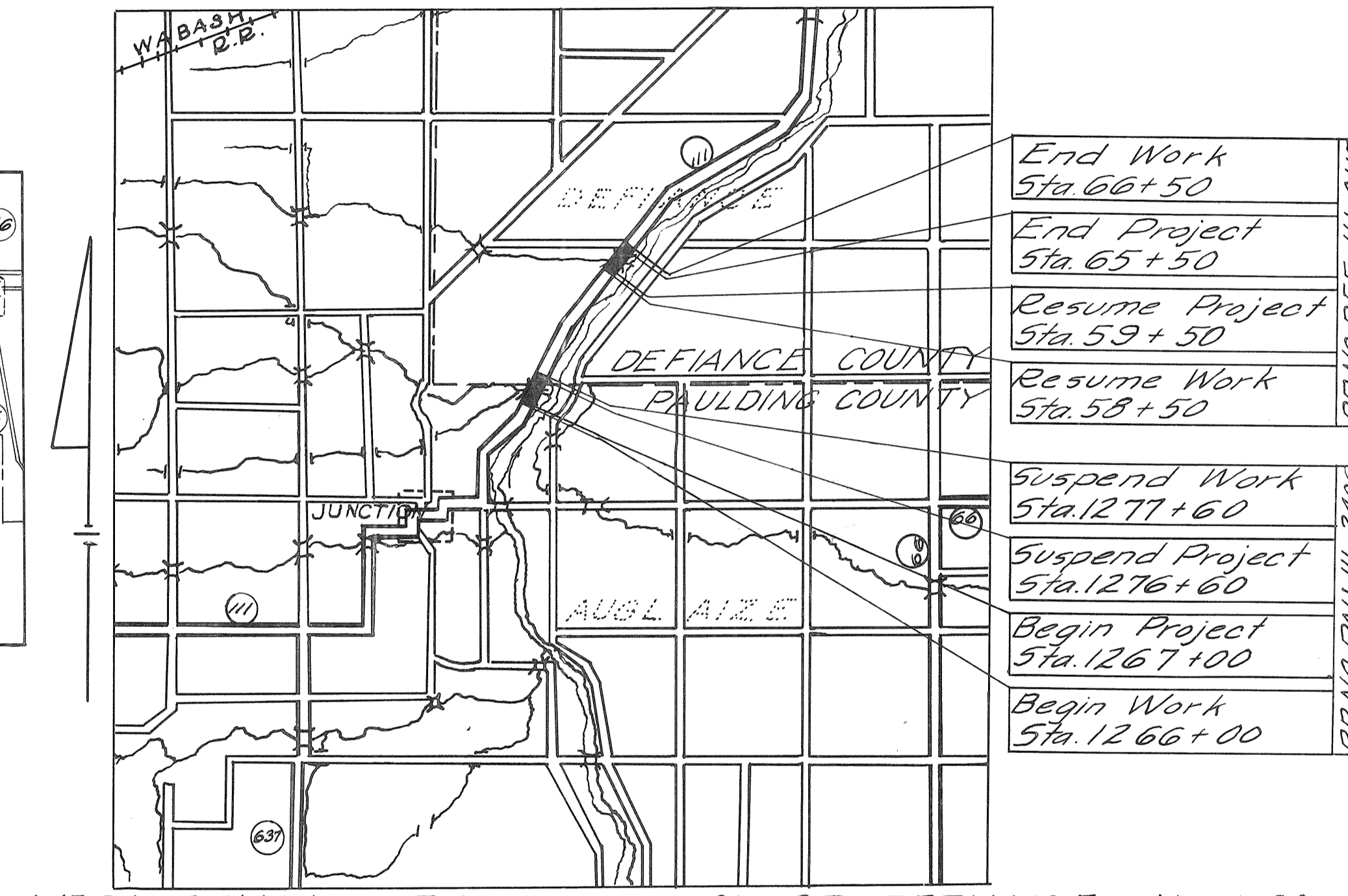
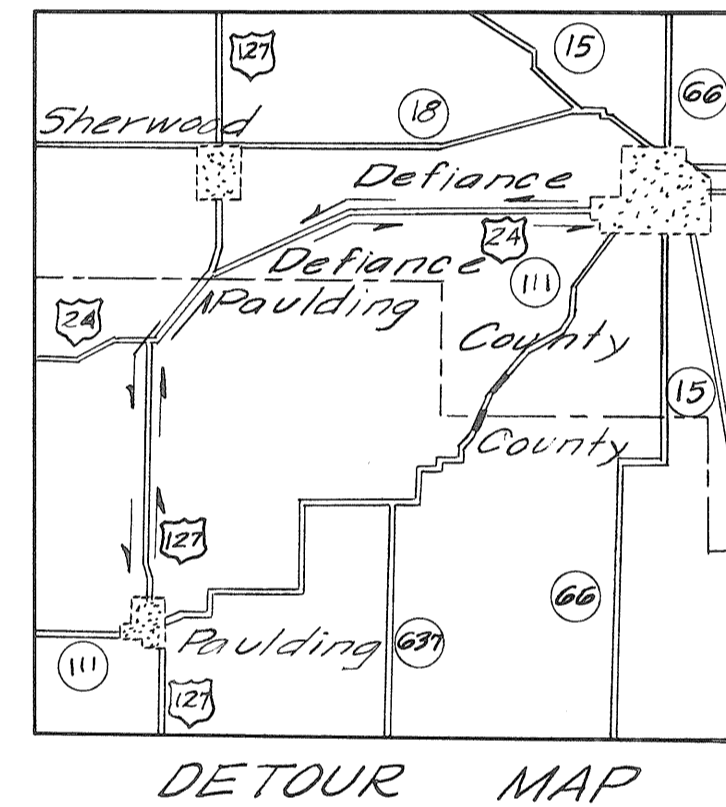
INDEX OF SHEETS

Title Sheet	1
Typical Sections	2
General Notes & Details	3
General Summary	4
Plan & Profile	5-7
Cross Sections	8-17
Structures 20' Span & Under	18
Structure over 20 Ft. Span	19-20
Right of Way	21-22

LINE DATA

Begin Project Sta. 1267+00
Suspend Project Sta. 1276+60
Resume Project Sta. 59+50
End Project Sta. 65+50
No Additions or Deductions
Net Length of Project = 1560 Lin. Ft. or 0.295 Mile

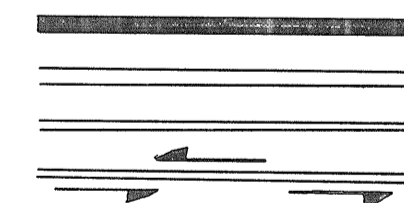
Begin Work Sta. 1266+00
Suspend Work Sta. 1277+60
Resume Work Sta. 58+50
End Work Sta. 66+50
No Additions or Deductions
Net Length of Work = 1960 Lin. Ft. or 0.371 Mile



AVERAGE HAUL 6.5 Mi. DELIVERY PT. DEFIANCE via Wabash RR or B.&O. RR

LOCATION PLAN

SCALE 1" = 1 MILE
PORTION TO BE IMPROVED
STATE HIGHWAYS
OTHER ROADS
DETOURS



SCALES

PLAN 1 Inch = 50 Feet
PROFILE (Horizontal) 1 Inch = 50 Feet
PROFILE (Vertical) 1 Inch = 5 Feet
CROSS SECTION 1 Inch = 5 Feet

The Standard Specifications of the State of Ohio, Department of Highways, including changes and supplemental specifications listed in the proposal shall govern this improvement.

The right of way for this improvement will be provided by the State of Ohio.

I hereby approve these plans and declare that the making of this improvement will require the closing of the highway to traffic, except as noted on Sheet No. 3, and that detours will be provided as indicated on the plans.

- Approved James Hoover
Date 6/5/59 Division Deputy Director
- Approved Ray E. Neuper
Date 7-1-59 Deputy Director of Planning & Programming
- Approved W. J. Overman
Date 7-29-59 Engineer of Bridges
- Approved Walter A. ...
Date 7-4-59 Engineer of Location & Design
- Approved C. W. McCord
Date 9-4-59 Deputy Director of Design & Construction
- Approved Gar Berry
Date 9-10-59 First Assistant Director
- Approved Ed ...
Date 9-10-59 Director of Highways

FILE NO.	PAU-III-24.00 DEF-III-(0.00)(1.13)
Date of Letting	19
Contract No.	

STANDARD DRAWINGS		DRAWINGS	
DRAWING	DATE	DRAWING	DATE
DR-1	1-3-55	5-27 P.C. 3	2-20-45
G-7.07	6-1-56	T-35	1-25-56
I-15 No. 1	5-21-59	A5-1-54	12-1-54
I-15 No. 2-A	5-21-59	C5-1-54 5 sheets HZ	7-16-56
L-1	4-1-50	A-1-54	12-1-54
L-3	4-1-50	P-1-54	2-25-59
L-3-A	4-1-50	SP-53	11-25-58
RI-1	7-15-58	I-1,2,3,4&5	4-24-58

SUPPLEMENTAL SPECIFICATIONS	
NUMBER	DATE

DEPARTMENT OF COMMERCE
BUREAU OF PUBLIC ROADS
APPROVED:

DIVISION ENGINEER DATE

JUL 9 1959
GROUND PHOTOLAP

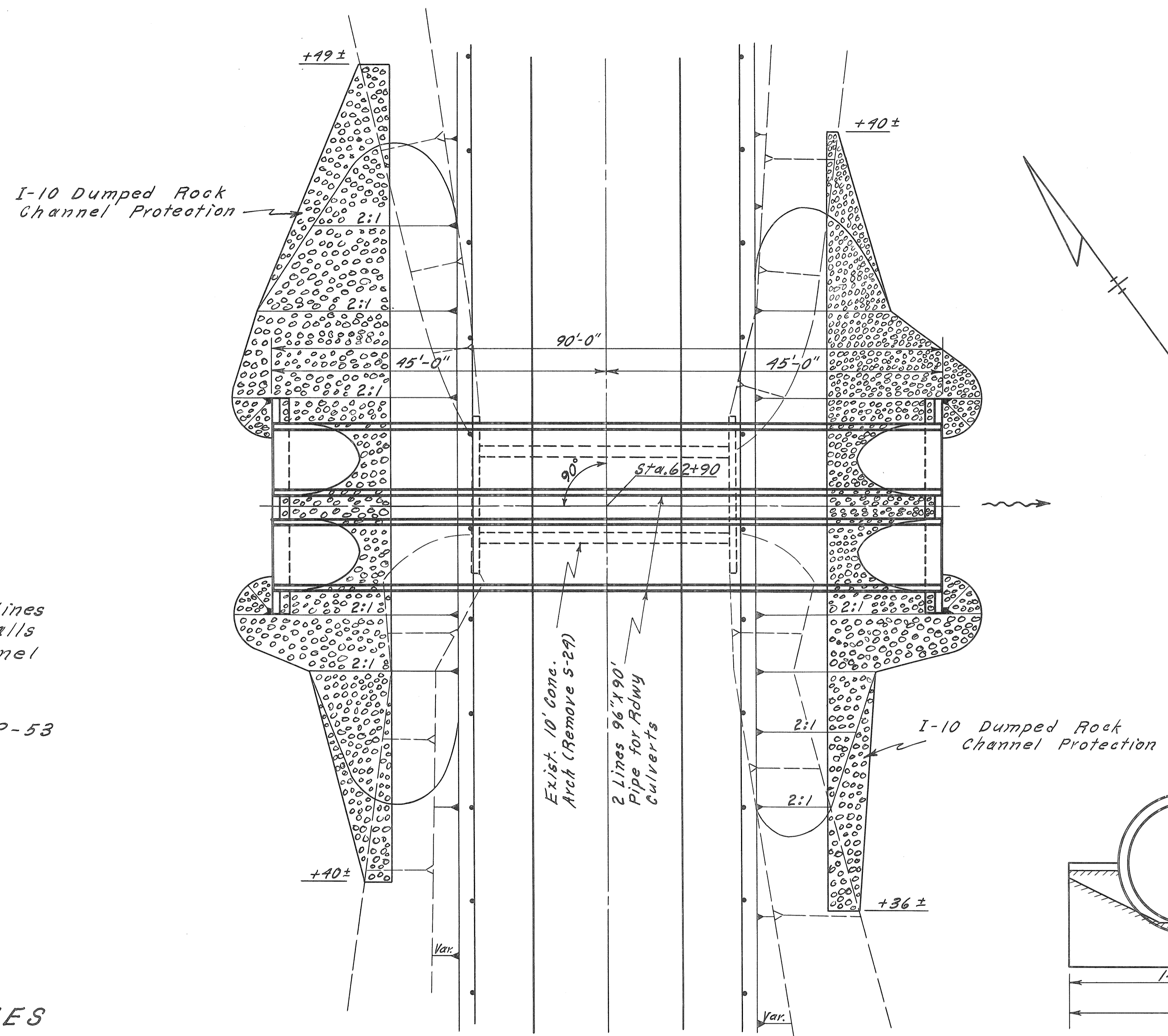
STRUCTURE No. 1-C

BR. No. DEF-111-0117

Sta. 62+90
Scale: 1" = 10'

FED. RD. DIVISION	STATE	PROJECT	18
2	OHIO		

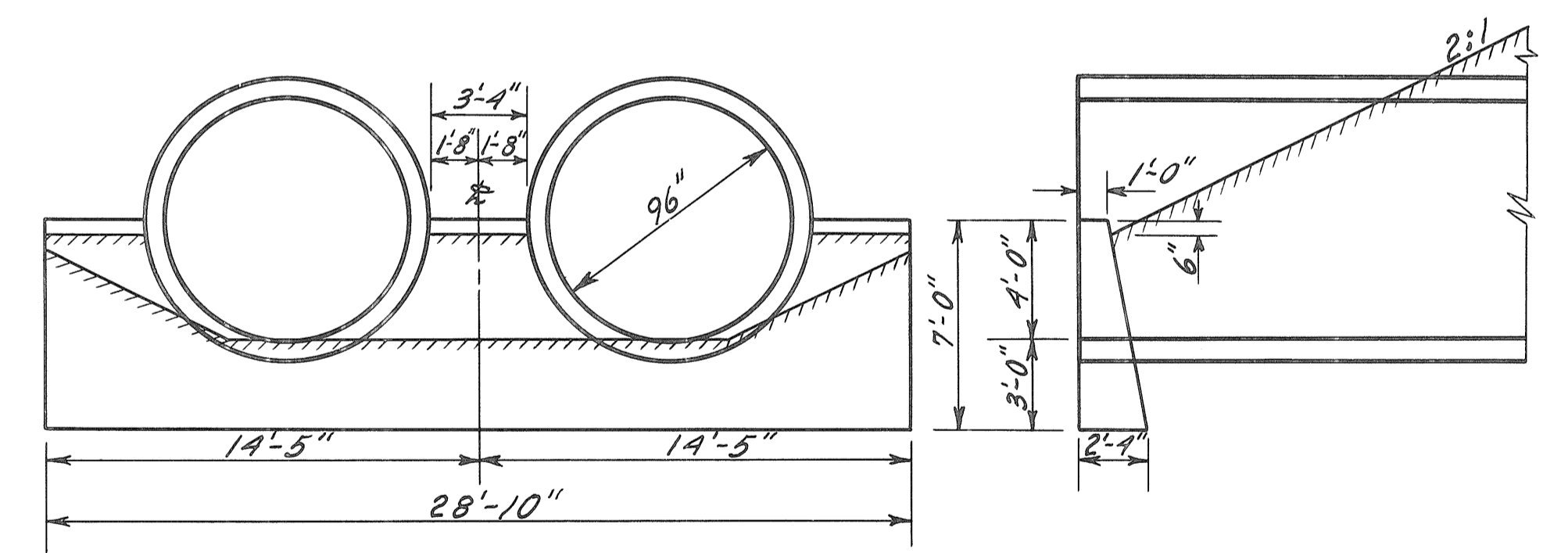
PAULDING & DEFIANCE COUNTIES
PAU-111-24.00
DEF-111-(0.00)(1.13)
BR. NO. DEF-111-0117



WORK REQUIRED
Remove Existing Structure. Build 2 Lines 96" x 90' Pipe Culvert with End Walls Lt. & Rt. Place Dumped Rock Channel Protection as shown.

Standard Drawings: S-27 P.C.3, SP-53

Drainage Area = 4.6 Sq. Mi.
 $Q_{10} = 600$ c.f.s.



END WALL DETAILS
Scale 1" = 5'

ESTIMATED QUANTITIES	
Item E-2 Excavation for Structures	170 Cu. Yd.
E-3 Channel Excavation	335 Cu. Yd.
S-1 Concrete for Structures, Class "E"	18.1 Cu. Yd.
S-24 Removal of Existing Structures	Lump Lump
S-27 96" Pipe for Roadway Culverts, Sec. M-6.6(b)	180 Lin. Ft.
I-10 Dumped Rock Channel Protection	180 Cu. Yd.
E-2 Cofferdams, Cribbs, and Sheeting	Lump Lump

