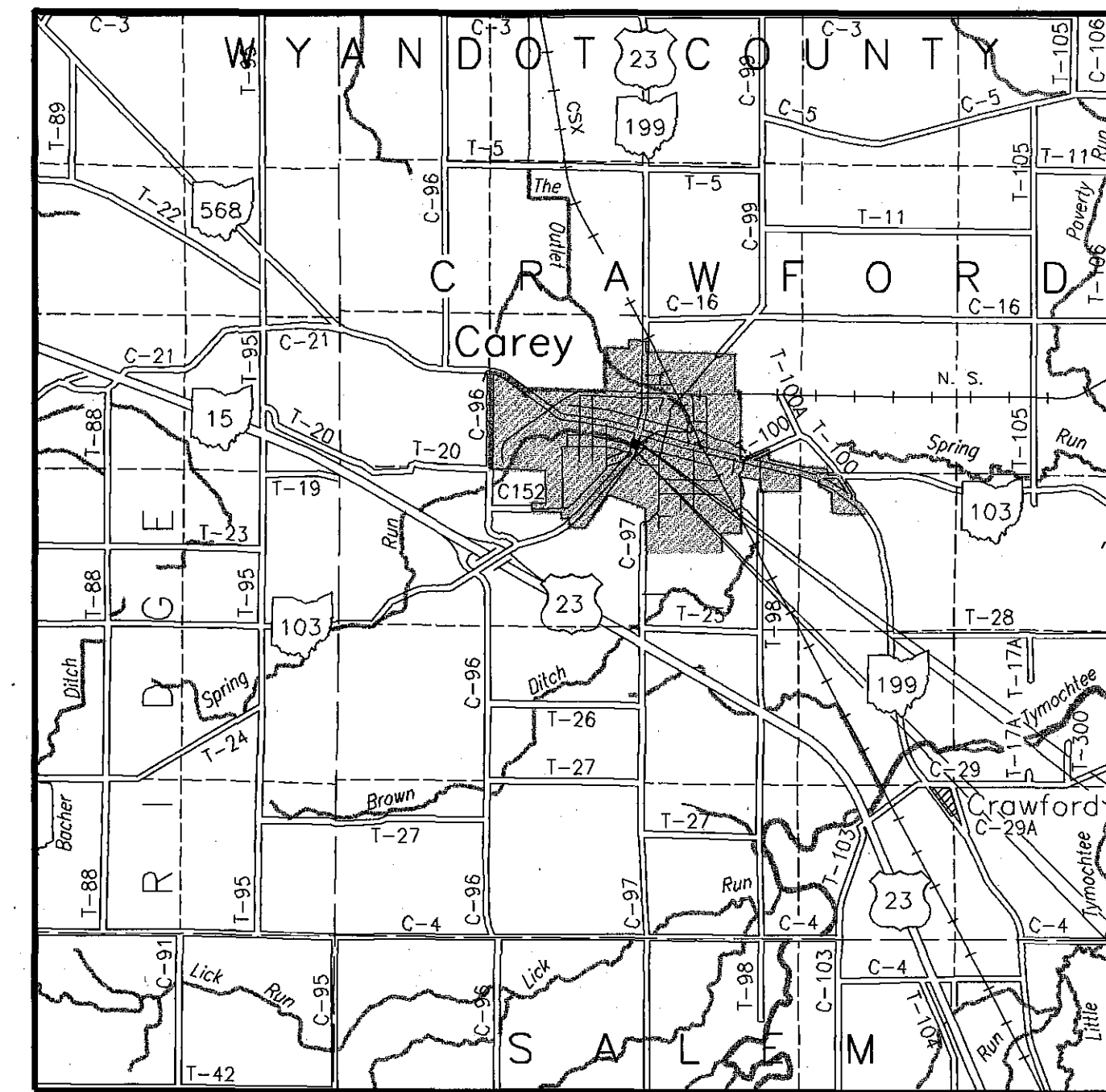


STATE OF OHIO
 DEPARTMENT OF TRANSPORTATION
WYA - 23 - 24.43
 VILLAGE OF CAREY
 WYANDOT COUNTY
 CRAWFORD TOWNSHIP

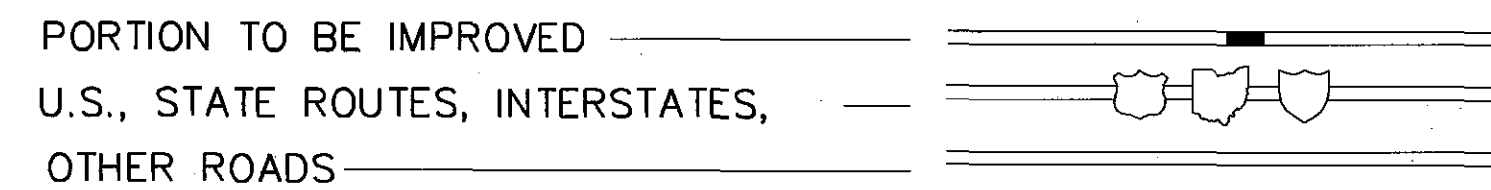
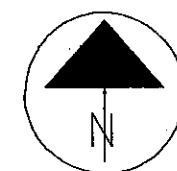


END PROJECT
 STA. 347+75
 S.L.M. = 6.58

BEGIN PROJECT
 STA. 346+50
 S.L.M. = 6.56

LATITUDE: N 40° 57' 05" LONGITUDE: W 83° 22' 58"

SCALE IN MILES



DESIGN DESIGNATION

CURRENT ADT (2005)	7600
DESIGN YEAR ADT (2025)	9000
DESIGN HOURLY VOLUME	900
DIRECTIONAL DISTRIBUTION	55%
TRUCKS (24 HOUR B&C)	21%
DESIGN SPEED	35 MPH
LEGAL SPEED	25 MPH
DESIGN FUNCTIONAL CLASSIFICATION: PRINCIPAL ARTERIAL	

INDEX OF SHEETS:

TITLE SHEET	1
TYPICAL SECTIONS	2
CURB RAMP DETAIL	2A, 2B, 2C
GENERAL NOTES	3
MAINTENANCE OF TRAFFIC PLAN	4
GENERAL SUMMARY	5
CALCULATIONS	6
PROJECT SITE PLAN	7
PLAN AND PROFILE	8
CROSS SECTIONS	9-10
PREFABRICATED STRUCTURES	11-17
STRUCTURE FOUNDATION INVESTIGATION	

PROJECT DESCRIPTION:

IMPROVEMENT OF 0.02 MILE OF U.S. 23 (VANCE STREET)
 BY REPLACEMENT OF ONE STRUCTURE OVER SPRING RUN
 INCLUDING APPROACH RECONSTRUCTION.

2005 SPECIFICATIONS

THE STANDARD SPECIFICATIONS OF THE STATE OF OHIO,
 DEPARTMENT OF TRANSPORTATION, INCLUDING CHANGES AND
 SUPPLEMENTAL SPECIFICATIONS LISTED IN THE PROPOSAL,
 SHALL GOVERN THIS IMPROVEMENT.

I HEREBY APPROVE THESE PLANS AND DECLARE THAT THE
 MAKING OF THIS IMPROVEMENT WILL REQUIRE THE CLOSING
 TO TRAFFIC OF THE HIGHWAY AND THAT DETOURS WILL BE
 PROVIDED AS INDICATED ON SHEET 4 OF 17.

EARTH DISTURBED AREAS

PROJECT EARTH DISTURBED AREAS = 0.40 AC
 CONTRACTOR EARTH DISTURBED AREAS = 0.25 AC
 NOTICE OF INTENT EARTH DISTURBED AREA = 4.90 AC

WYA - USR 23-24.43
 060348 PID - 24365
 Dist 1 7/12/2006

UNDERGROUND UTILITIES
 TWO WORKING DAYS
BEFORE YOU DIG
 CALL 1-800-362-2764 (TOLL FREE)
 OHIO UTILITIES PROTECTION SERVICE
 NON-MEMBERS
 MUST BE CALLED DIRECTLY

PLANS PREPARED BY:
 STAR
 CONSULTANTS,
 INC.
 1910 BETHEL ROAD
 COLUMBUS, OHIO 43220
 (614) 538-8445; FAX: (614) 538-8446

ENGINEERS SEAL:

SIGNED: *H. Mukhtar*
 DATE: 10-30-2005

ENGINEERS SEAL:

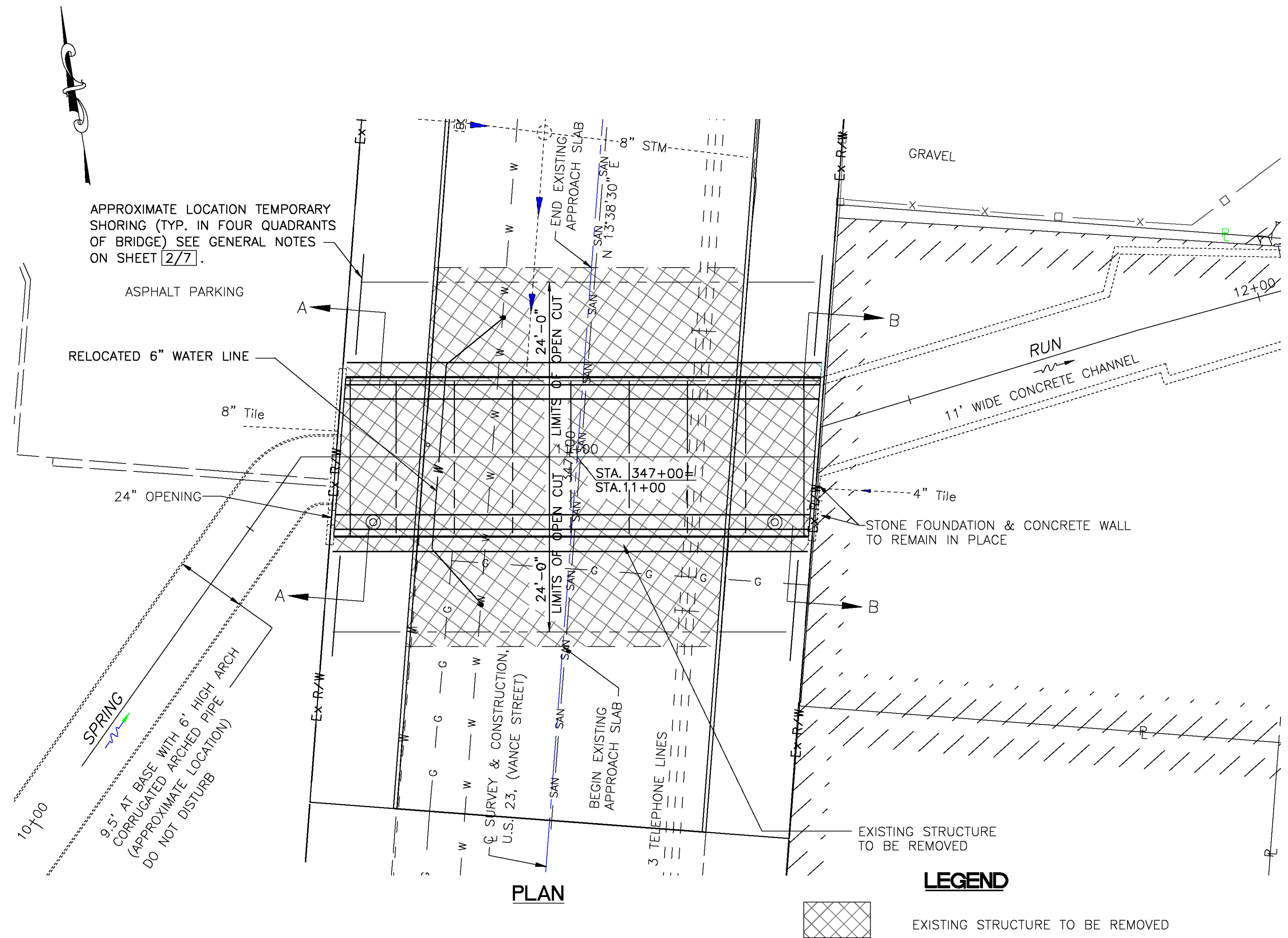
SIGNED: *Ali Alghotani*
 DATE: 10-30-2005

STANDARD CONSTRUCTION DRAWINGS		SUPPLEMENTAL SPECIFICATIONS
BP-3.1 7-16-04	MT-35.10 4-20-01	800 104-21-06
BP-4.1 7-16-04	MT-101.60 10-18-02	802 4-15-05
BP-5.1 7-28-00	MT-105.10 10-18-02	832 4-17-04
		833 2-12-03
DM-1.2 1-21-05	MT-105.11 10-18-02	908 4-18-03
MH-1.1 7-19-02		
MH-1.2 7-15-05		
		SPECIAL PROVISIONS
		NWP#3(7-29-05)

APPROVED *[Signature]*
 DATE 11/4/05 DISTRICT DEPUTY DIRECTOR

APPROVED *[Signature]*
 DATE 5-2-06 DIRECTOR, DEPARTMENT OF TRANSPORTATION

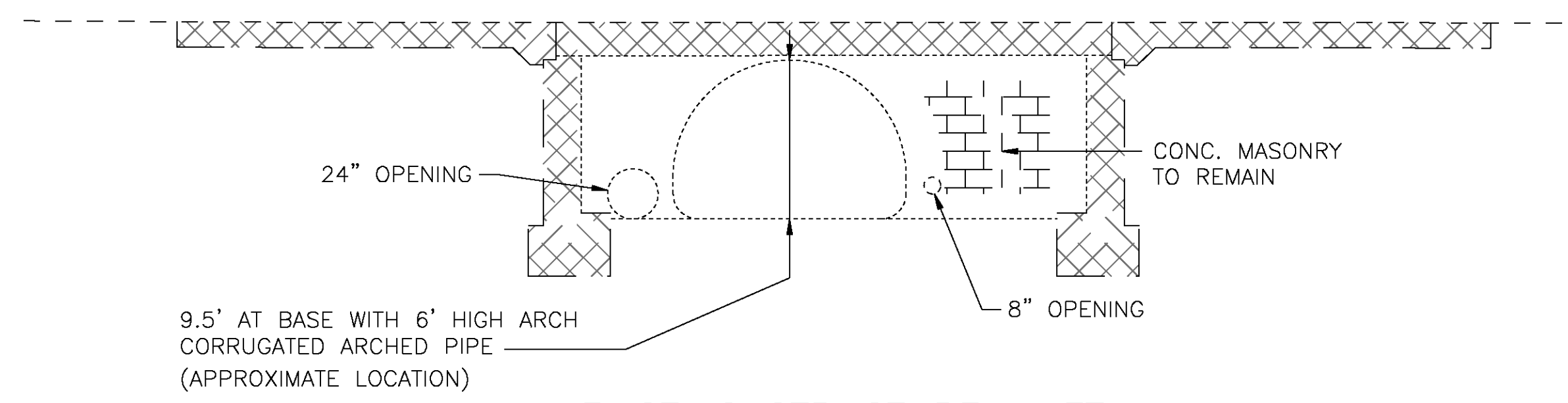
FEDERAL PROJECT NO. NON-FEDERAL
 PID NO. 24365
 STATE JOB NO. 41460
 CONSTRUCTION PROJECT NO.
 RAILROAD INVOLVEMENT NONE
 WYA - 23 - 24.43
 1
 17



PLAN

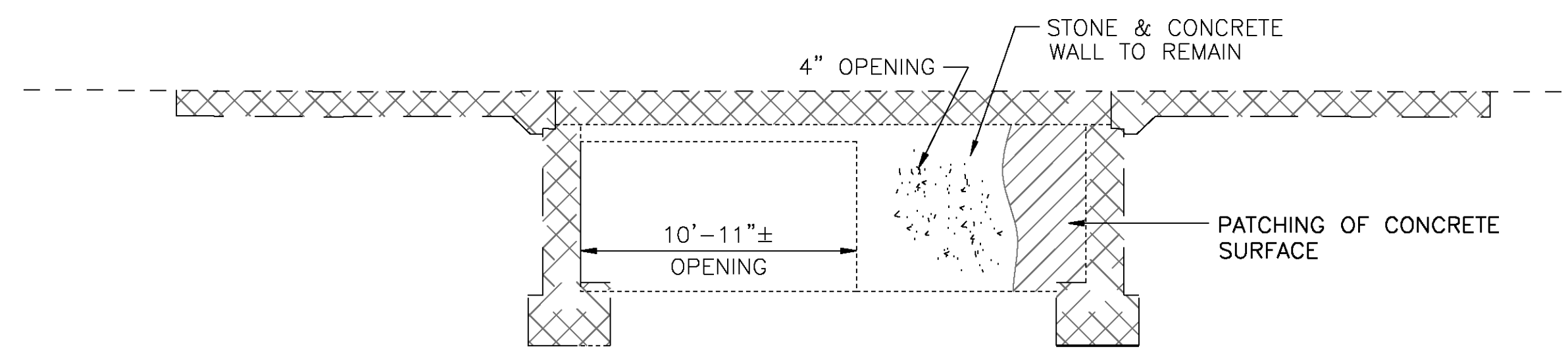
LEGEND

 EXISTING STRUCTURE TO BE REMOVED



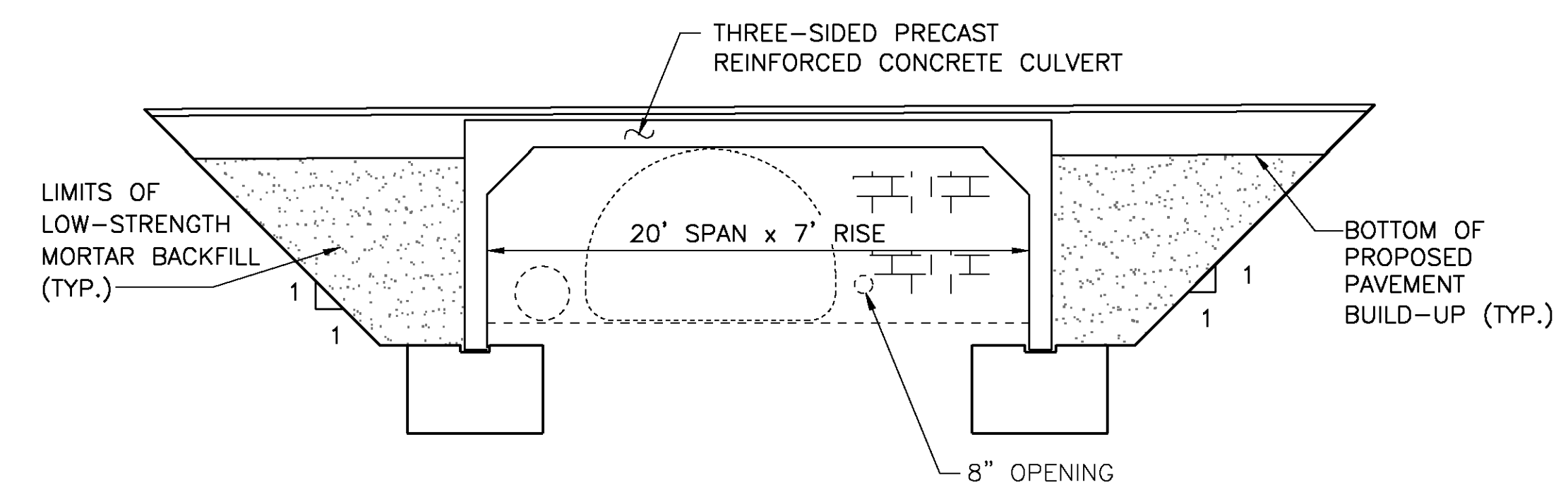
EXISTING STRUCTURE INLET

SECTION A-A



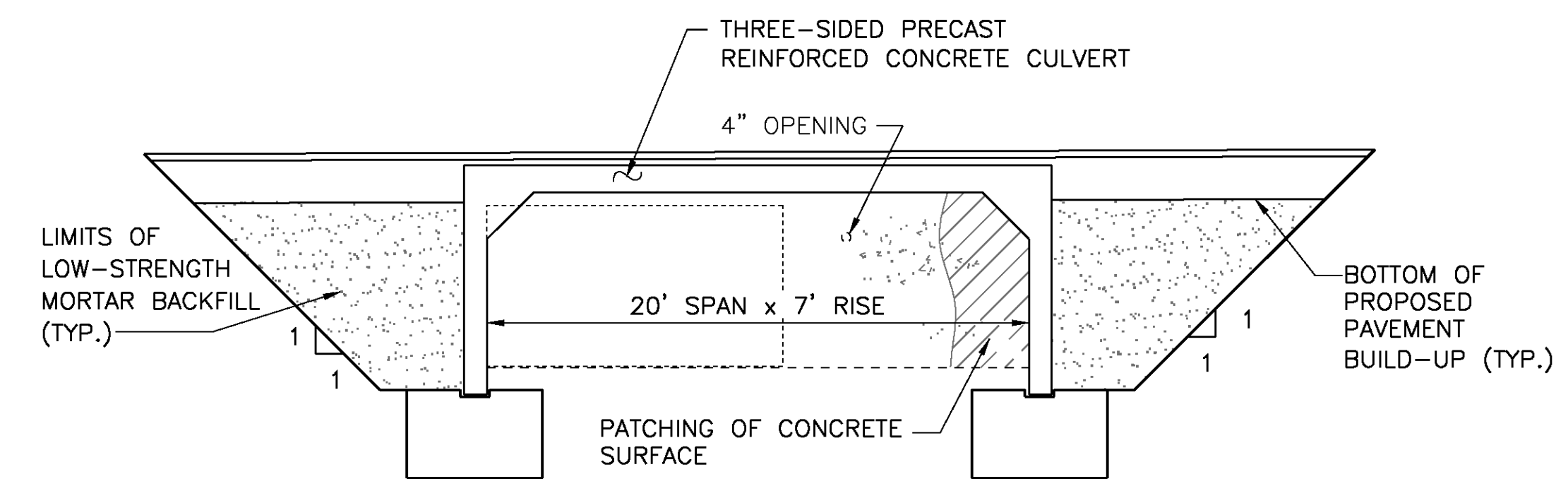
EXISTING STRUCTURE OUTLET

SECTION B-B



PROPOSED STRUCTURE SECTION

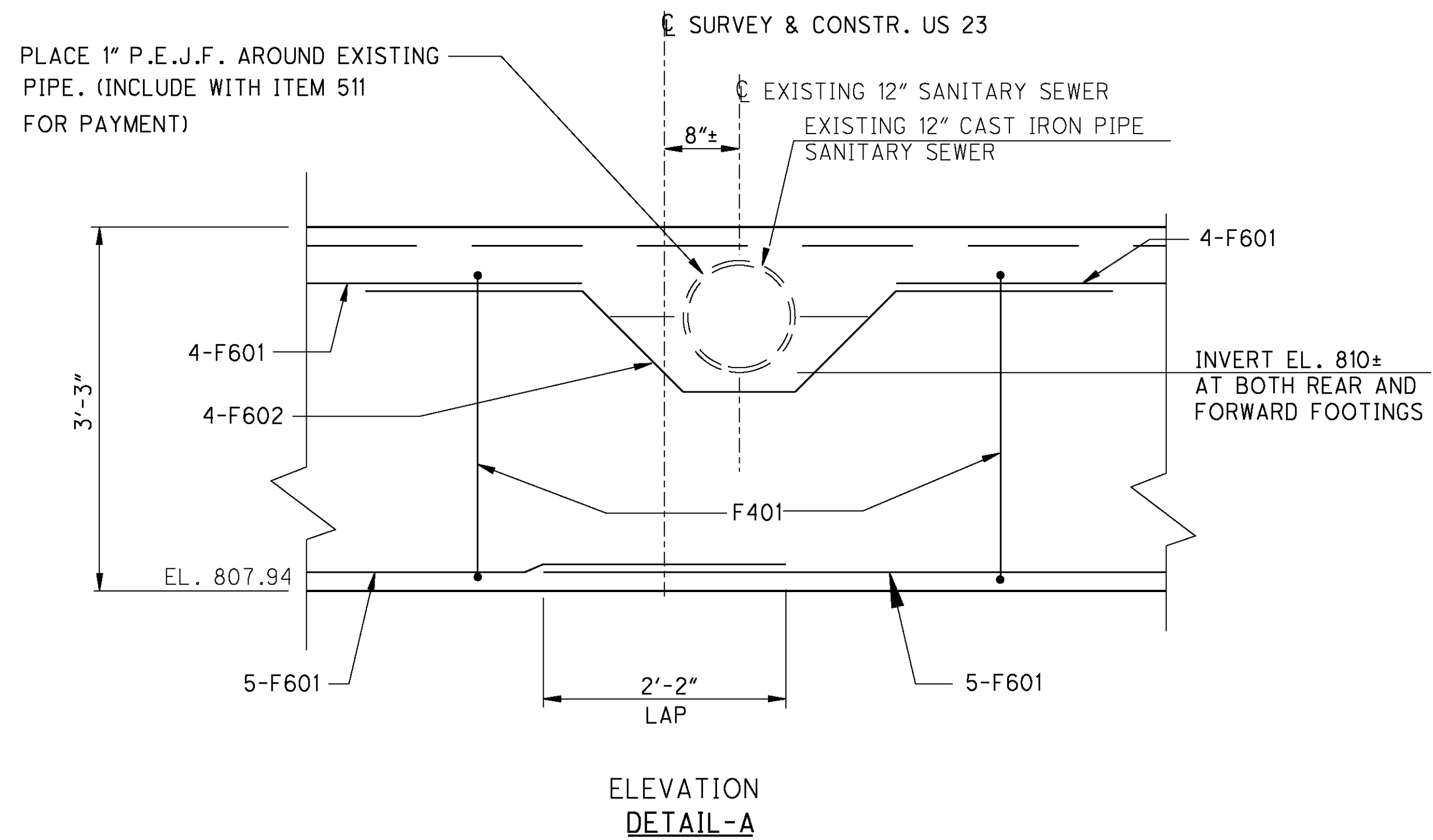
SECTION A-A



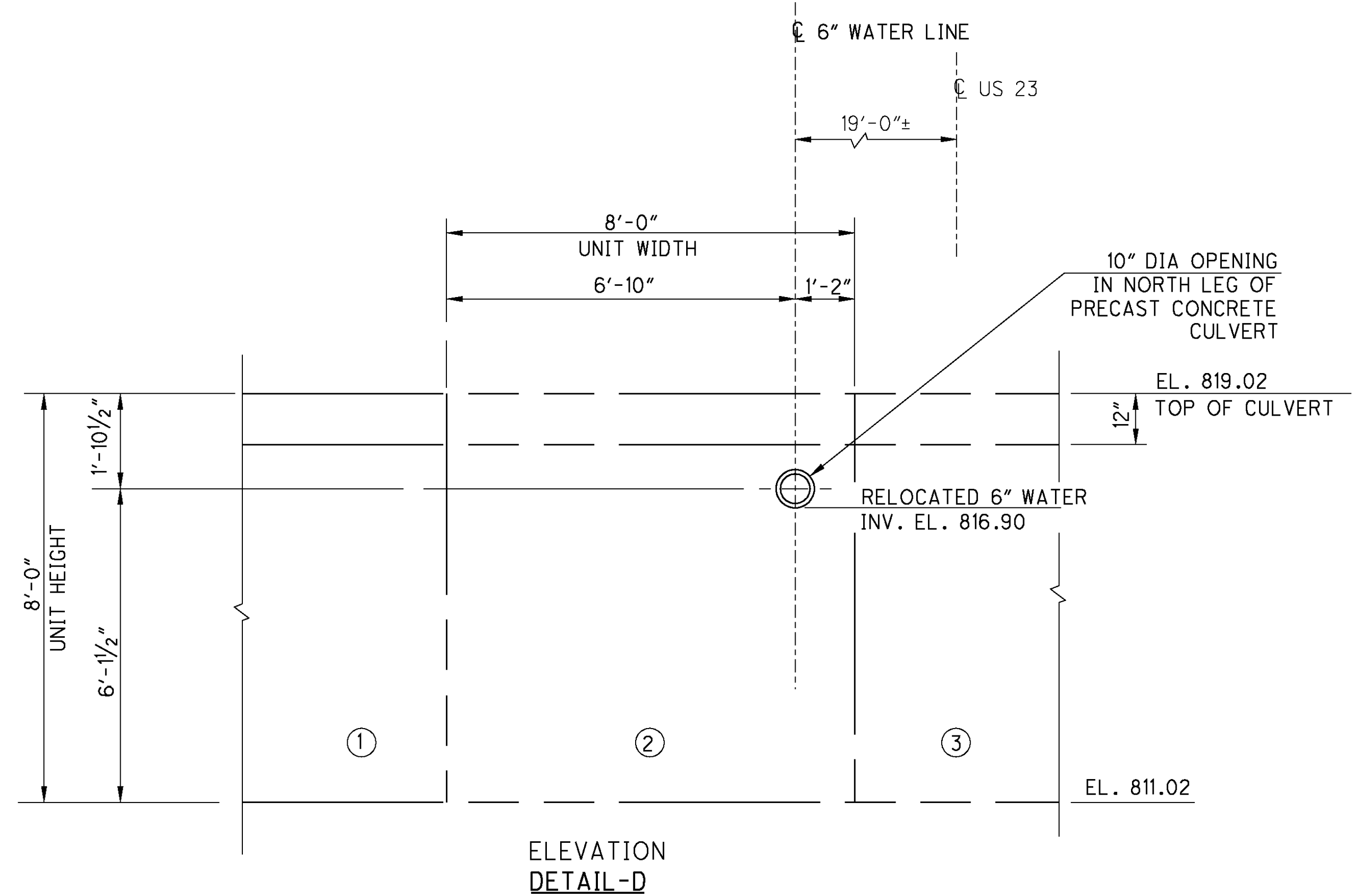
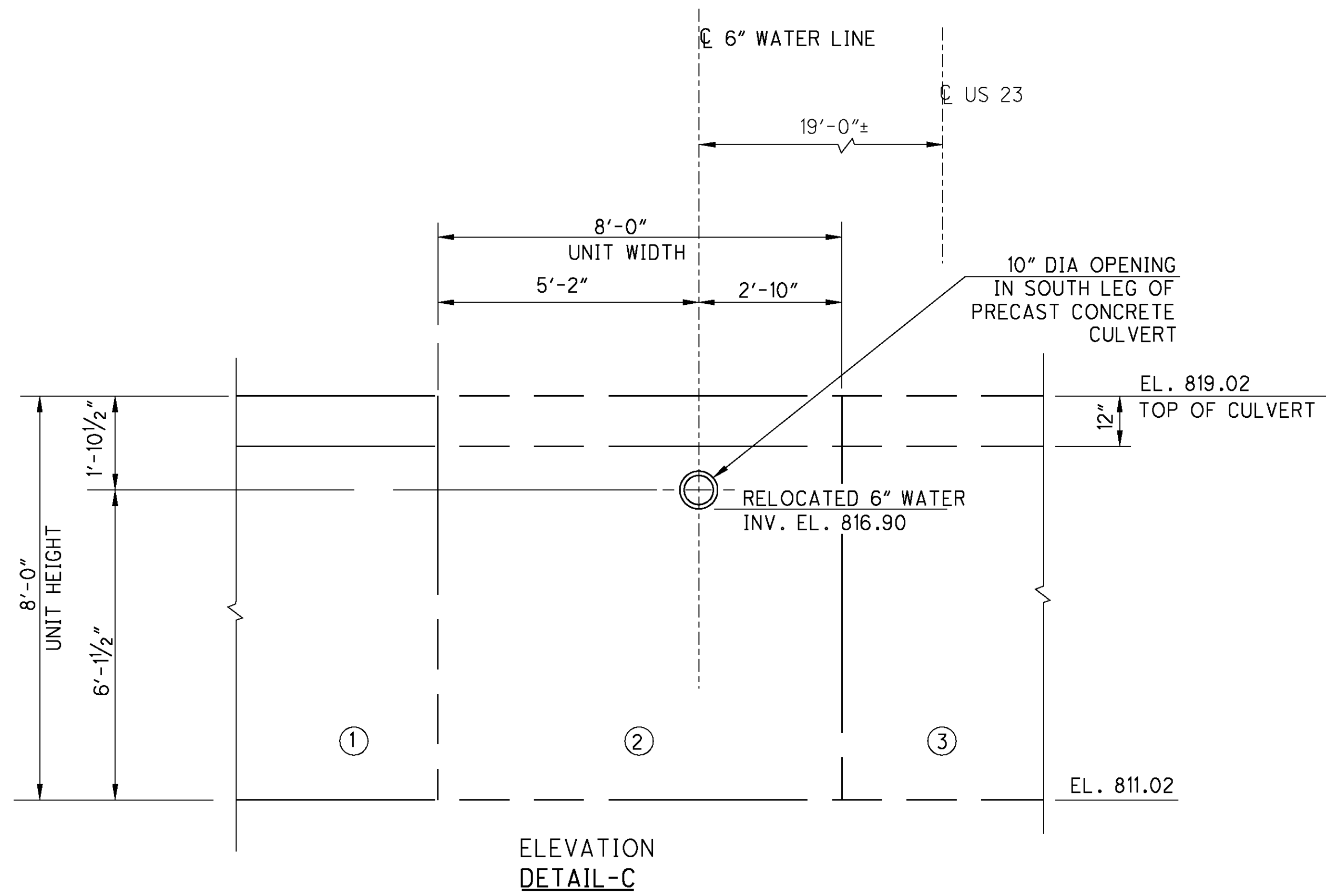
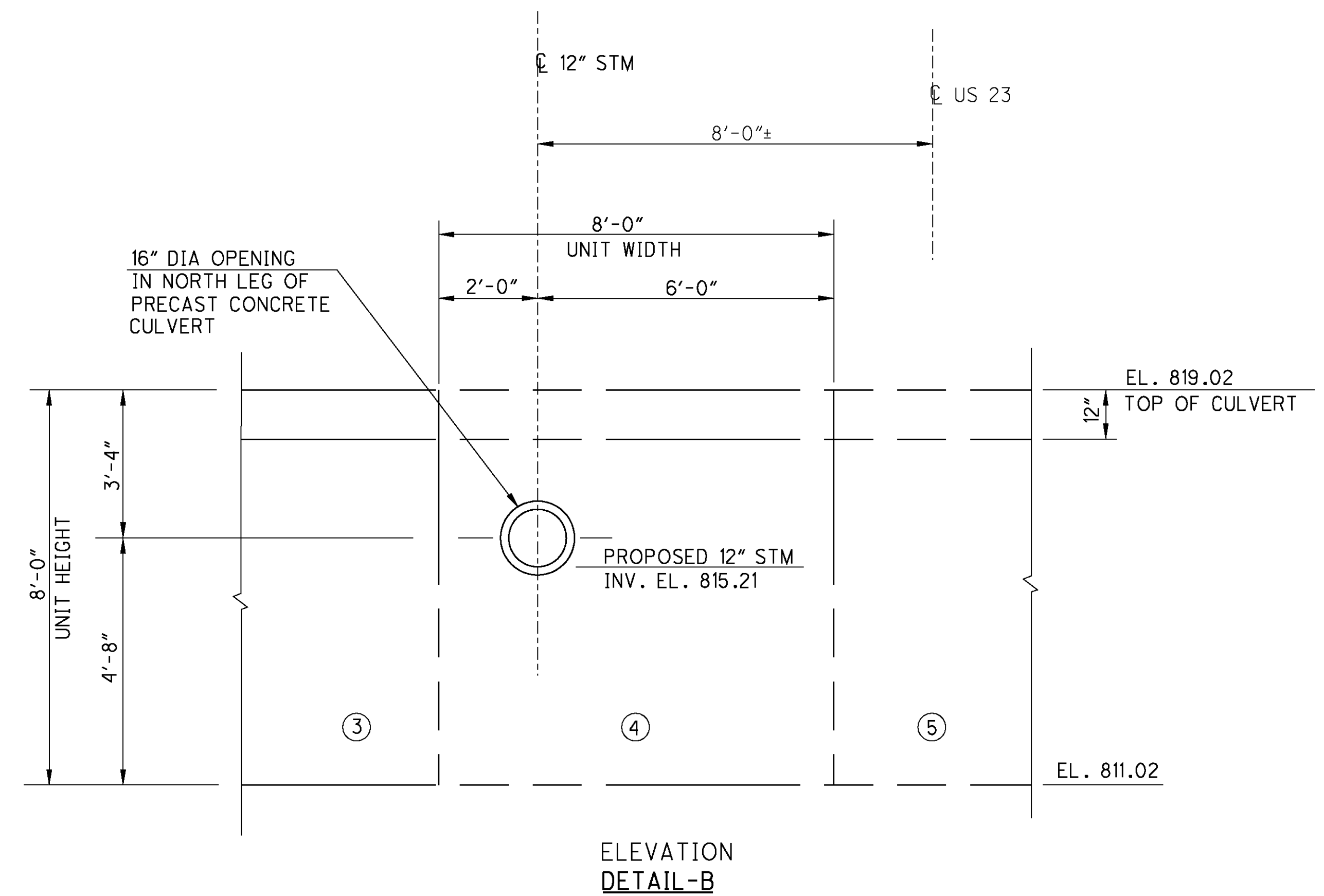
PROPOSED STRUCTURE SECTION

SECTION B-B

8USER WYA-23.tbl
 7/17/2006 8:34:15 PM
 ...sTruct-detail-NEW.dgn



NOTE:
 F601 BARS IN TOP OF FOOTING TO BE CUT IN FIELD TO CLEAR EXISTING 12" SANITARY SEWER.



STRUCTURAL DETAILS
 WYA - 23 - 2443
 OVER SPRING RUN

WYA - 23 - 2443
 PID No. 24365

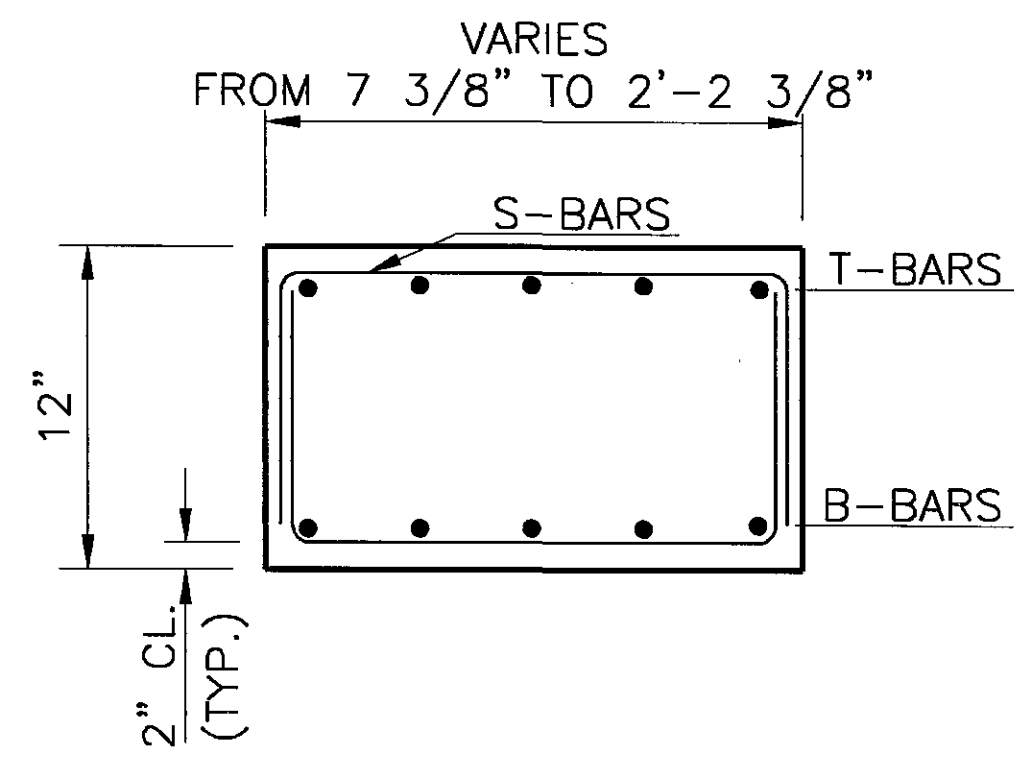
5 / 7

15
 17

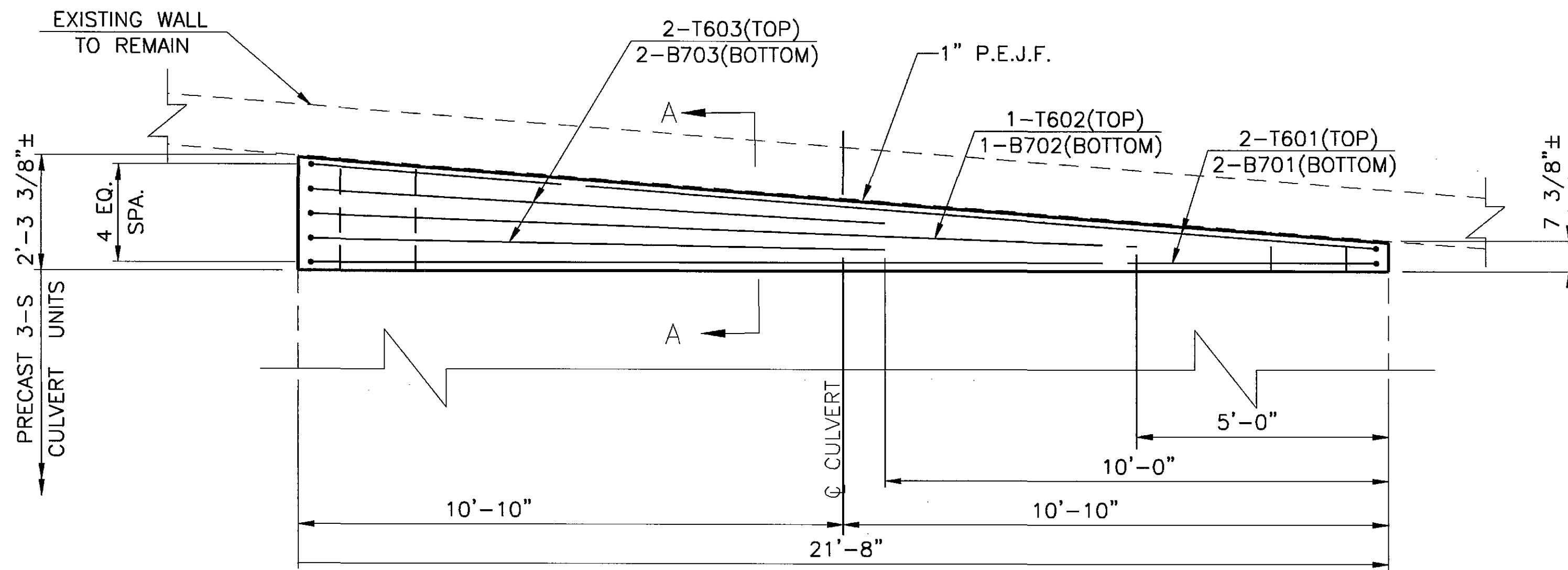
DESIGN AGENCY
 STAR CONSULTANTS, INC
 1910 BETHEL ROAD
 COLUMBUS, OHIO 43220

DESIGNED	DRAWN	REVIEWED	DATE
TDT	CT	HM	
CHECKED	REVISED	STRUCTURE FILE NUMBER	
AMA		8801088	

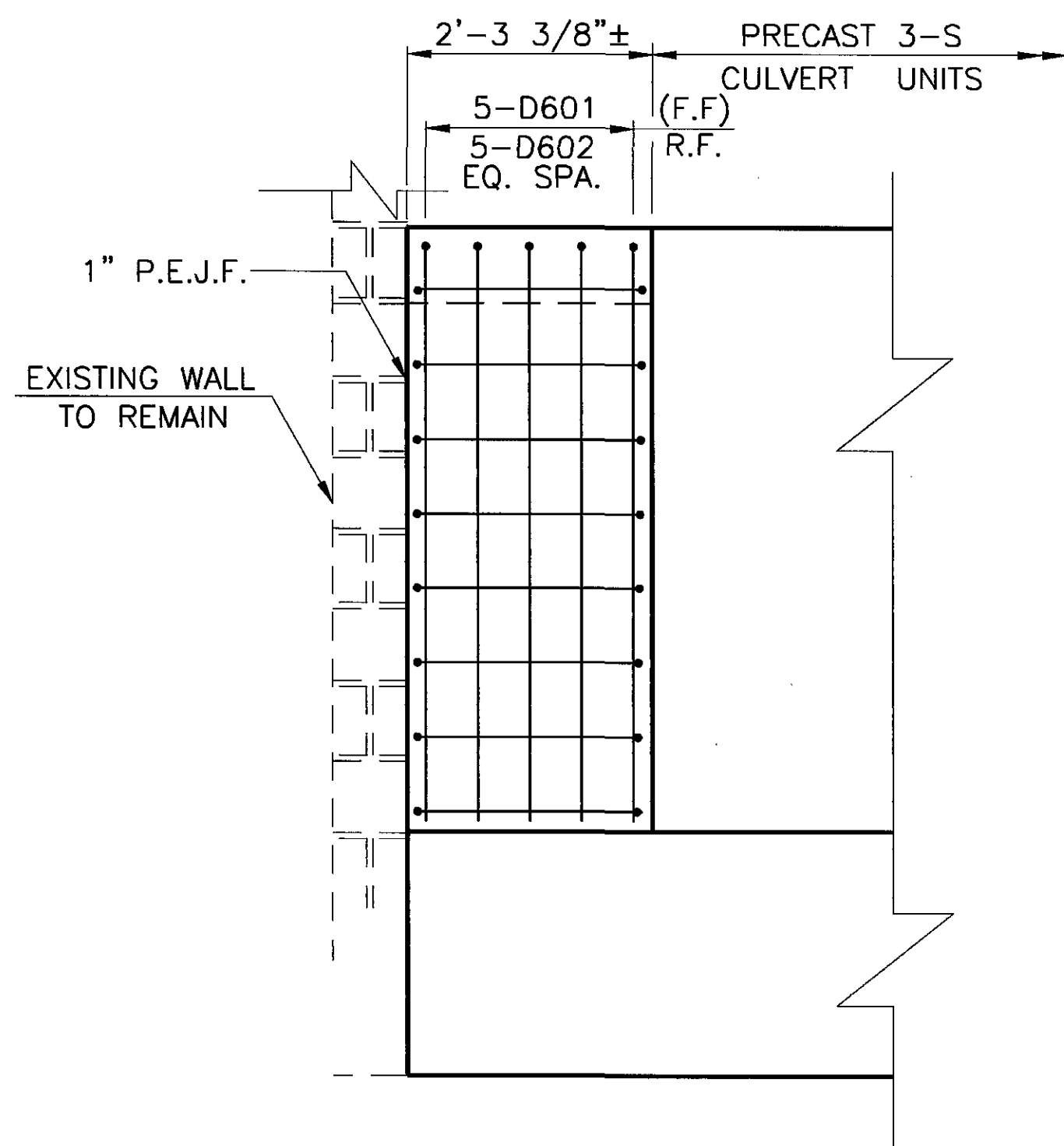
USER: WYA-23.tbl
 10/31/2005 11:45:24 AM
 ...BStruct-desTot12-NEW.dgn



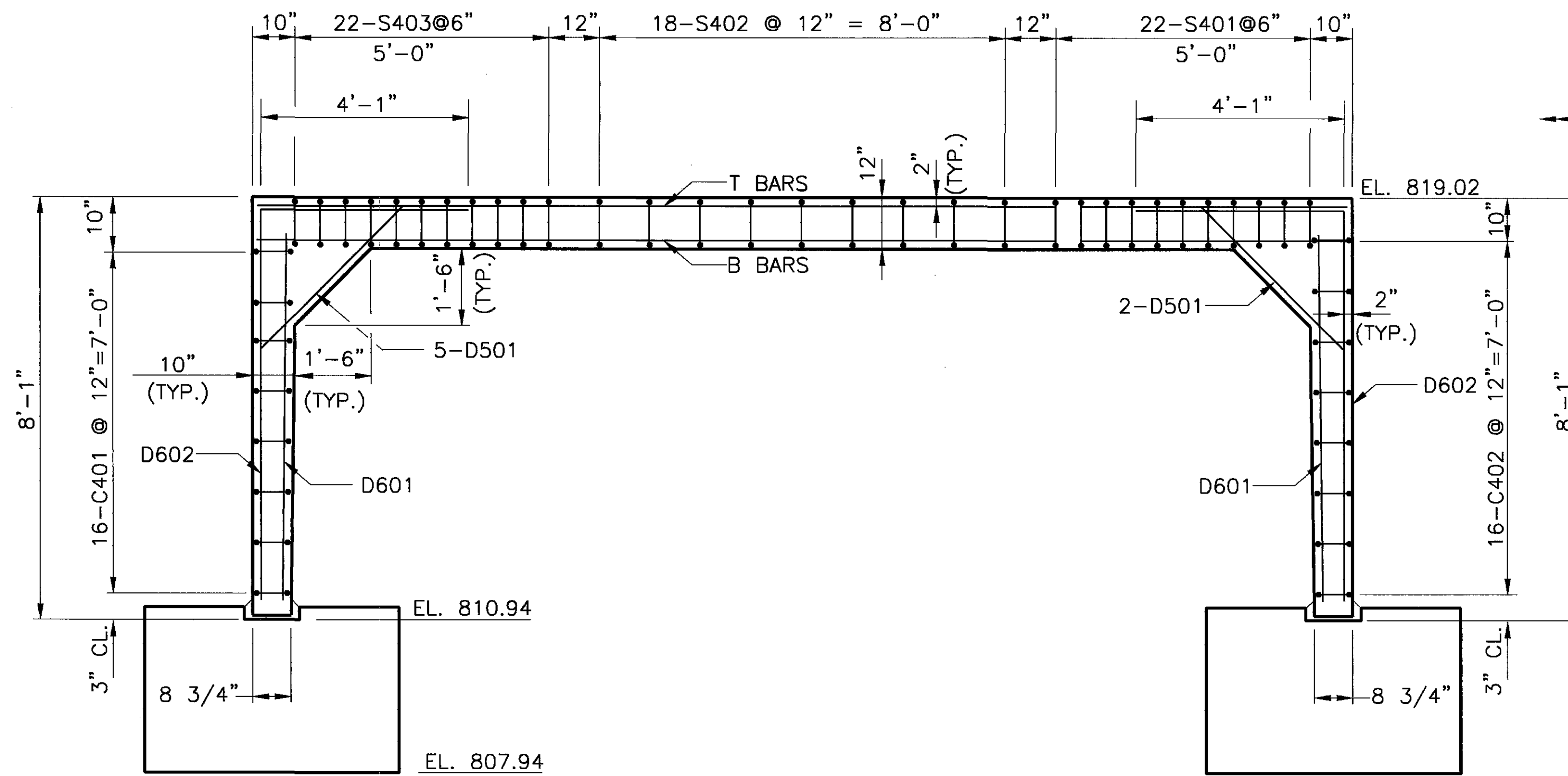
SECTION A-A



PLAN

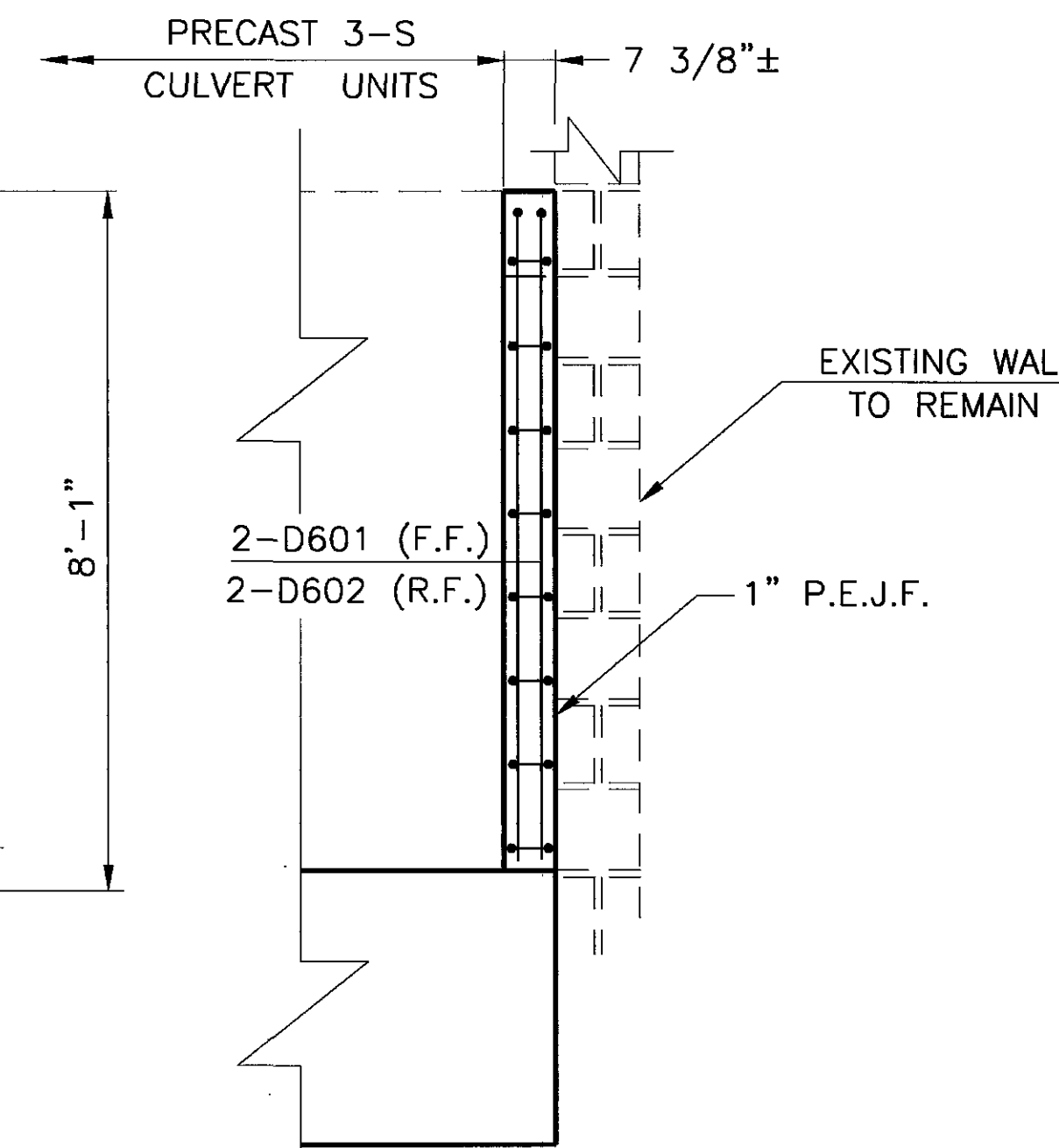


SECTION



ELEVATION

CAST-IN-PLACE CULVERT SECTION



SECTION

P.E.J.F. = PREFORMED EXPANSION JOINT FILLER

DESIGN AGENCY
 STAR CONSULTANTS, INC
 1910 BETHEL ROAD
 COLUMBUS, OHIO 43220

DATE
 REVIEWED
 HM
 STRUCTURE FILE NUMBER
 8801088

DRAWN
 CT
 REWSD

DESIGNED
 TDT
 CHECKED
 AMA

CAST-IN-PLACE CULVERT SECTION
 WYA - 23 - 2443
 OVER SPRING RUN

WYA - 23 - 2443
 PID No. 24365

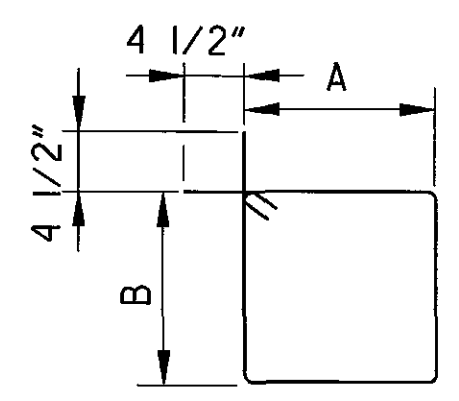
6 / 7

16
 17

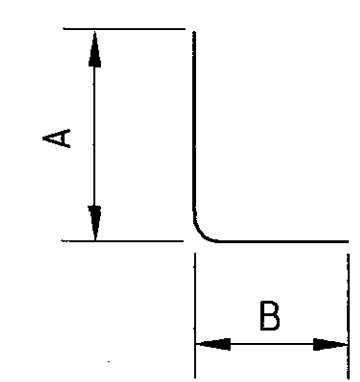
USER: WYA-23.tbl
 10/31/2005 2:49:37 AM
 ...Drawing\Structure\23-sp02.dgn

NOTE:
 THE BAR SIZE NUMBER IS SPECIFIED ON THE PLANS IN THE BAR MARK COLUMN. THE FIRST DIGIT WHERE THREE DIGITS ARE USED, AND THE FIRST TWO DIGITS WHERE FOUR ARE USED, INDICATES THE BAR SIZE NUMBER. FOR EXAMPLE, W601 IS A NO. 6 BAR. BAR DIMENSIONS SHOWN ARE OUT TO OUT UNLESS OTHERWISE INDICATED. "R" INDICATES INSIDE RADIUS, UNLESS OTHERWISE NOTED. "STD" WRITTEN IN PLACE OF A DIMENSION INDICATES A STANDARD BEND AT THE END OF THE BAR.

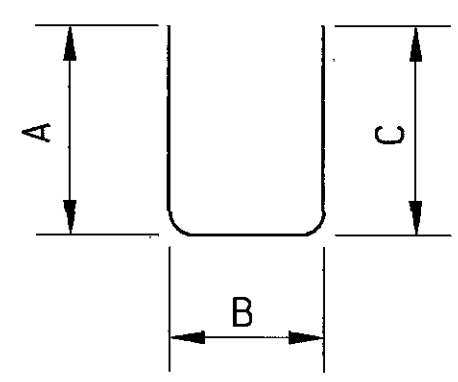
ALL REINFORCING STEEL TO BE EPOXY COATED.



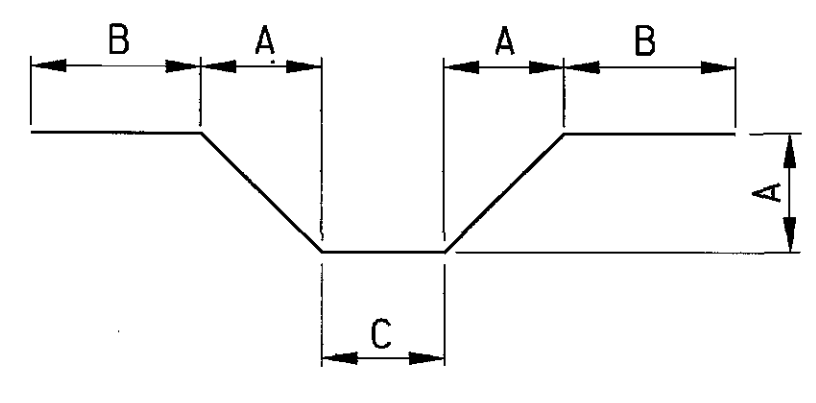
TYPE 1



TYPE 2



TYPE 3



TYPE 4

BENDING DIAGRAMS

EPOXY COATED REINFORCING STEEL LIST

MARK	NO.		LENGTH	WEIGHT	TYPE	A	B	C	INCR
CAST-IN-PLACE CULVERT									
	INLET	OUTLET							
B701	2	2	21'-4"	174	STR.				6"
B702	1	1	16'-4"	67	STR.				
B703	2	2	11'-4"	93	STR.				
C401	16	16	2'-10"	61	3	6"	2'-0"	6"	
C402	16	16	1'-3"	27	3	6"	5"	6"	
D501	7	7	4'-2"	61	STR.				
D601	7	7	7'-1"	149	STR.				
D602	7	7	11'-8"	245	2	7'-9"	4'-1"		
S401	2	2	1'-7"	53	3	8"	5"	8"	1/2"
	S.O.	S.O.	TO				TO		
	11	11	2'-0"			8"	10"	8"	
S402	2	2	2'-1"	58	3	8"	11"	8"	1"
	S.O.	S.O.	TO				TO		
	9	9	2'-9"			8"	1'-7"	8"	
S403	2	2	2'-10"	90	3	8"	1'-8"	8"	1/2"
	S.O.	S.O.	TO				TO		
	11	11	3'-3"			8"	2'-1"	8"	
T601	2	2	21'-4"	128	STR.				
T602	1	1	16'-4"	49	STR.				
T603	2	2	11'-4"	68	STR.				
				SUBTOTAL = 1323 LBS					
CULVERT FOOTING									
	REAR	FWD.							
F401	17	17	15'-0"	341	1	4'-8"	2'-7"		
F601	18	18	33'-6"	1811	STR.				
F602	4	4	6'-7 1/2"	80	4	1'-0"	1'-7"	9"	
				SUBTOTAL = 2232 LBS					
				TOTAL = 3555 LBS					

ABBREVIATION
 S.O. - SERIES OF

DESIGN AGENCY
 STAR CONSULTANTS, INC
 1910 BETHEL ROAD
 COLUMBUS, OHIO 43220

DATE
 10/31/2005

REVIEWED
 HM
 STRUCTURE FILE NUMBER
 8601088

DRAWN
 CT
 REWSED

DESIGNED
 TDT
 CHECKED
 AWA

REINFORCING SCHEDULE
WYA - 23 - 2443
 OVER SPRING RUN

WYA - 23 - 2443
 PID No. 24365

7/7

17
 17