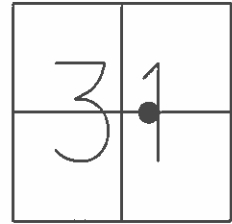


O.D.O.T. DISTRICT 2 SURVEY OFFICE (USE ONLY)

PERSONNEL _____ REFERENCE NO. 7 SHEET 7 OF 15
 NOTES HOMAN DATE 5/31/12 ROUTE SR 2
 H.C. ROUSOS WEATHER CLOUDY COUNTY FULTON
 R.C. HOMAN TEMP. 65 F TOWNSHIP GERMAN
 SECTION 31
T 7 N R 5 E

TYPE MONUMENT MOBORA MON
 ON SURFACE - ~~BELOW~~ ON
~~LEFT~~ - ☉ PAV'T - ~~RIGHT~~ ON
10.6' TO RT EDGE PAVEMENT
 S.L.M. 137+66
 GRID: NORTHING: 681047.516 EASTING: 1467271.009

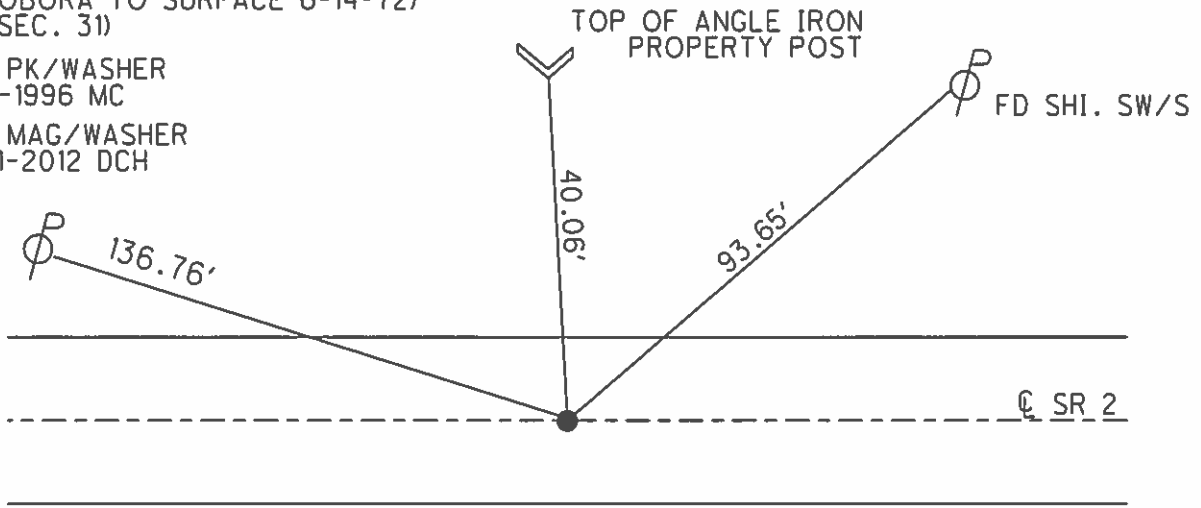


RECORD:

P.I. 137+49.15
 (FD. MOBORA TO SURFACE 6-14-72)
 (CTR. SEC. 31)

RESET PK/WASHER
 9-4-1996 MC

RESET MAG/WASHER
 8-21-2012 DCH



O.D.O.T. DISTRICT 2 SURVEY OFFICE

PERSONNEL

REFERENCE NO. 7

SHEET 7 OF 23

NOTES LOEHRKE

H.C. Rausos

R.C. CANTERBURY

DATE 8-8-95

WEATHER CLOUDY

TEMP. +78°F

ROUTE S.R.#2

COUNTY FULTON

TOWNSHIP GERMAN

SECTION 31

T 7 N R 5 E

Reset

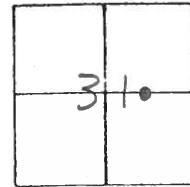
TYPE MONUMENT PK / WASHER 9-4-96

ON SURFACE - ~~BELOW~~ ON SURFACE

~~LEFT - & PAVT. - RIGHT~~ ON &

10.6 TO RT EDGE PAVEMENT

S.L.M. 137 + 66



Record:

P.I. 137 + 49.15

(Fd. MOBORA TO SURFACE 6-14-72)

(CTR. SEC. 31)

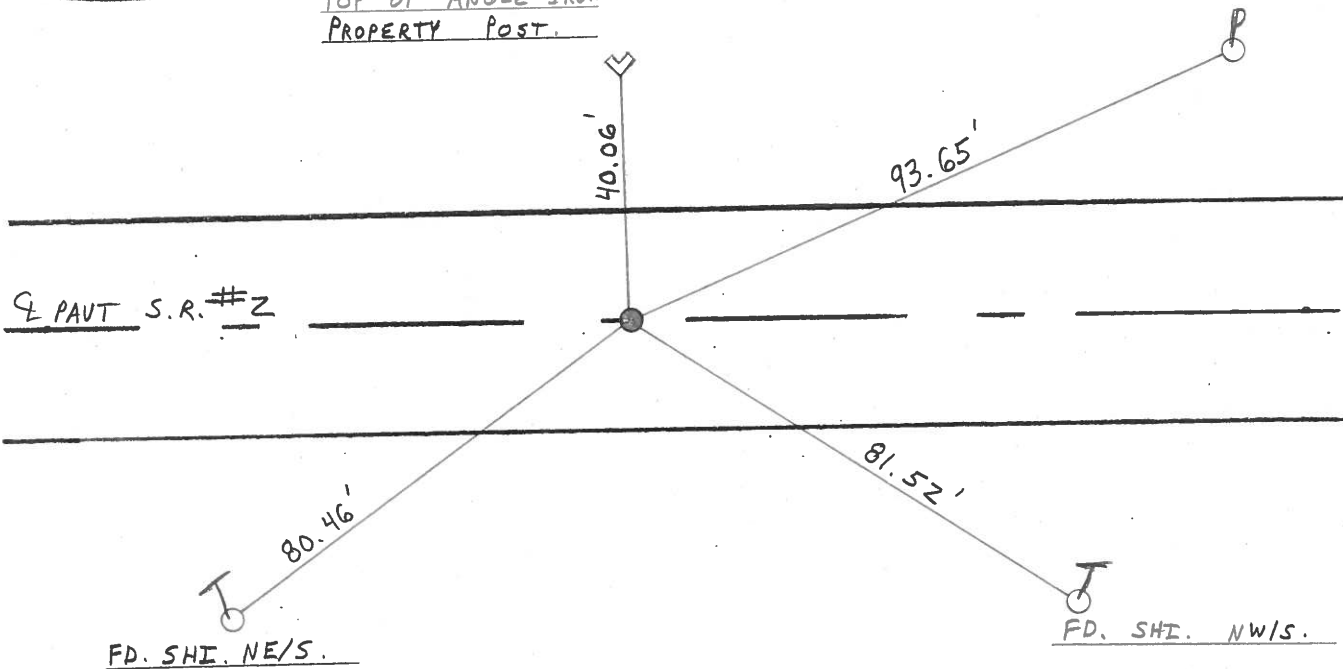
TOP OF ANGLE IRON
PROPERTY POST.

SET SHI. SW/S.

& PAVT S.R.#2

FD. SHI. NE/S.

FD. SHI. NW/S.



County FULTON S.R. 2

Date 7-3-84

Township GERMAN

Weather CLEAR

Section 31

Temp. +84

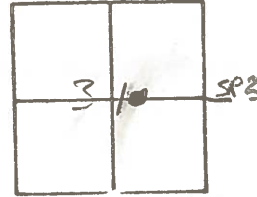
T2N, R5E

Personnel LOGARKE TD

HOUSEHOLDER RC

BARNEY HC

7



SLM 137+49

Fd PK NAIL @ SURFACE

11.1 SEP

10.9 NEP

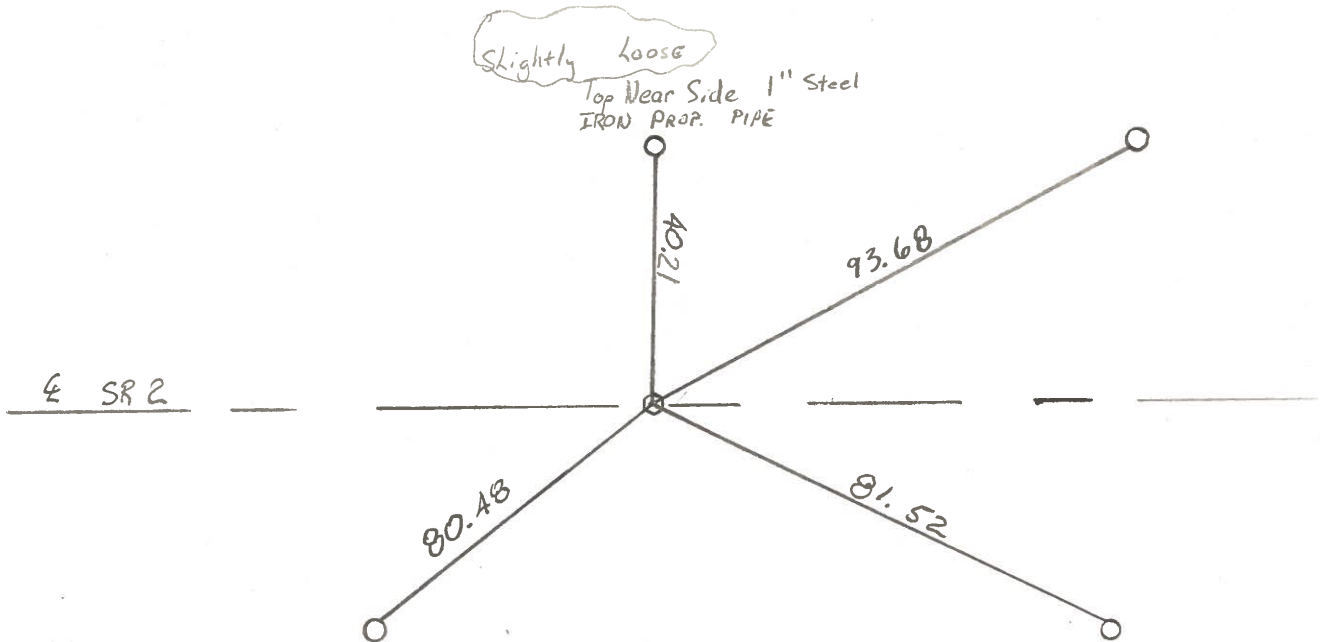
ON & SR2

SET PK + WASHER

10-5-84

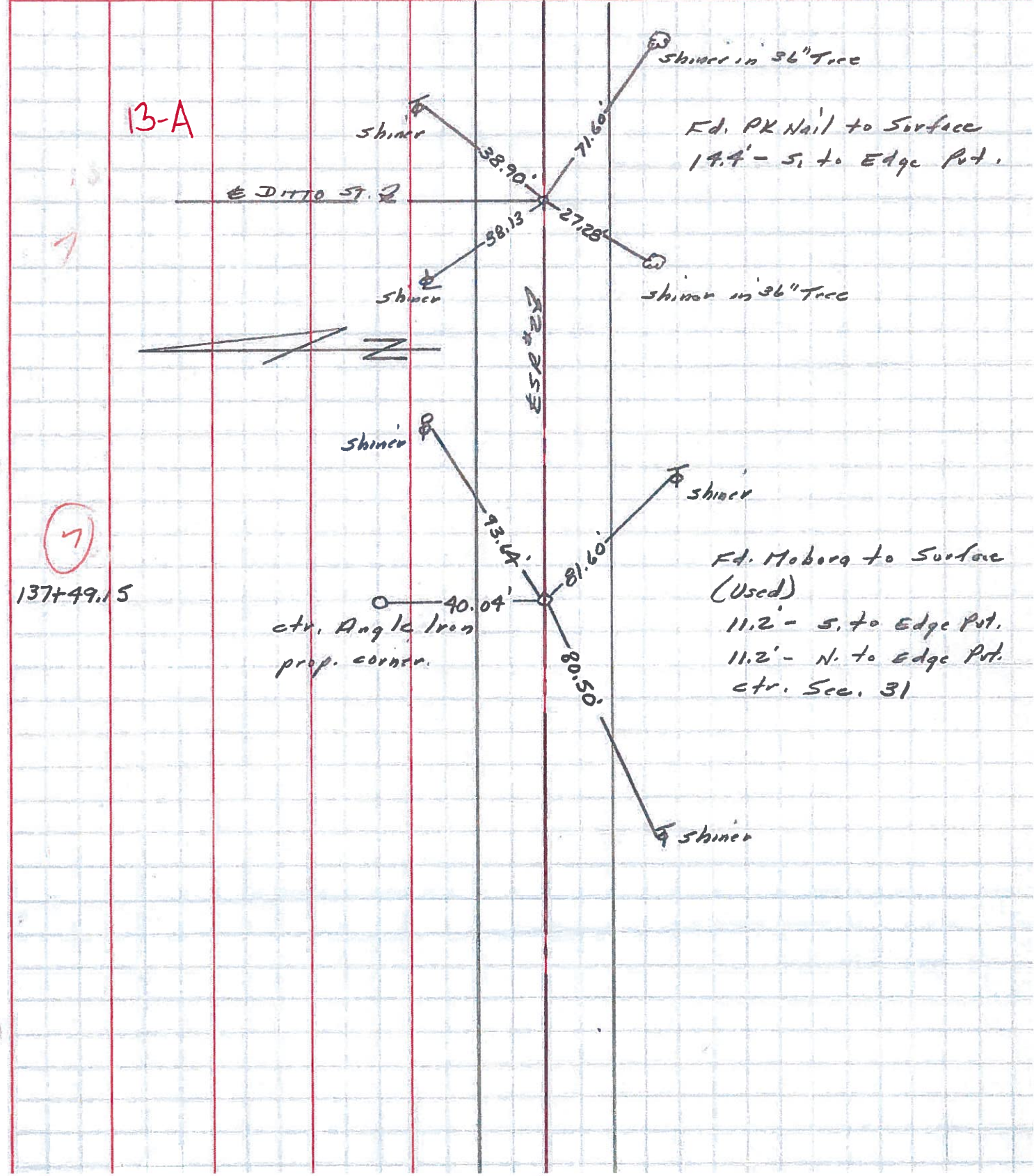
C.L.

PI 137+49.15



PERSONNEL	TITLE	PERSONNEL	TITLE	COUNTY	DATE
Stone	Notes			Fulton	14 June 72
Michalak	H.C.			S. R. #2	WEATHER Warm
Denno	R.C.			SEC. Archbold	TEMP. 84°
Curtis	RS				

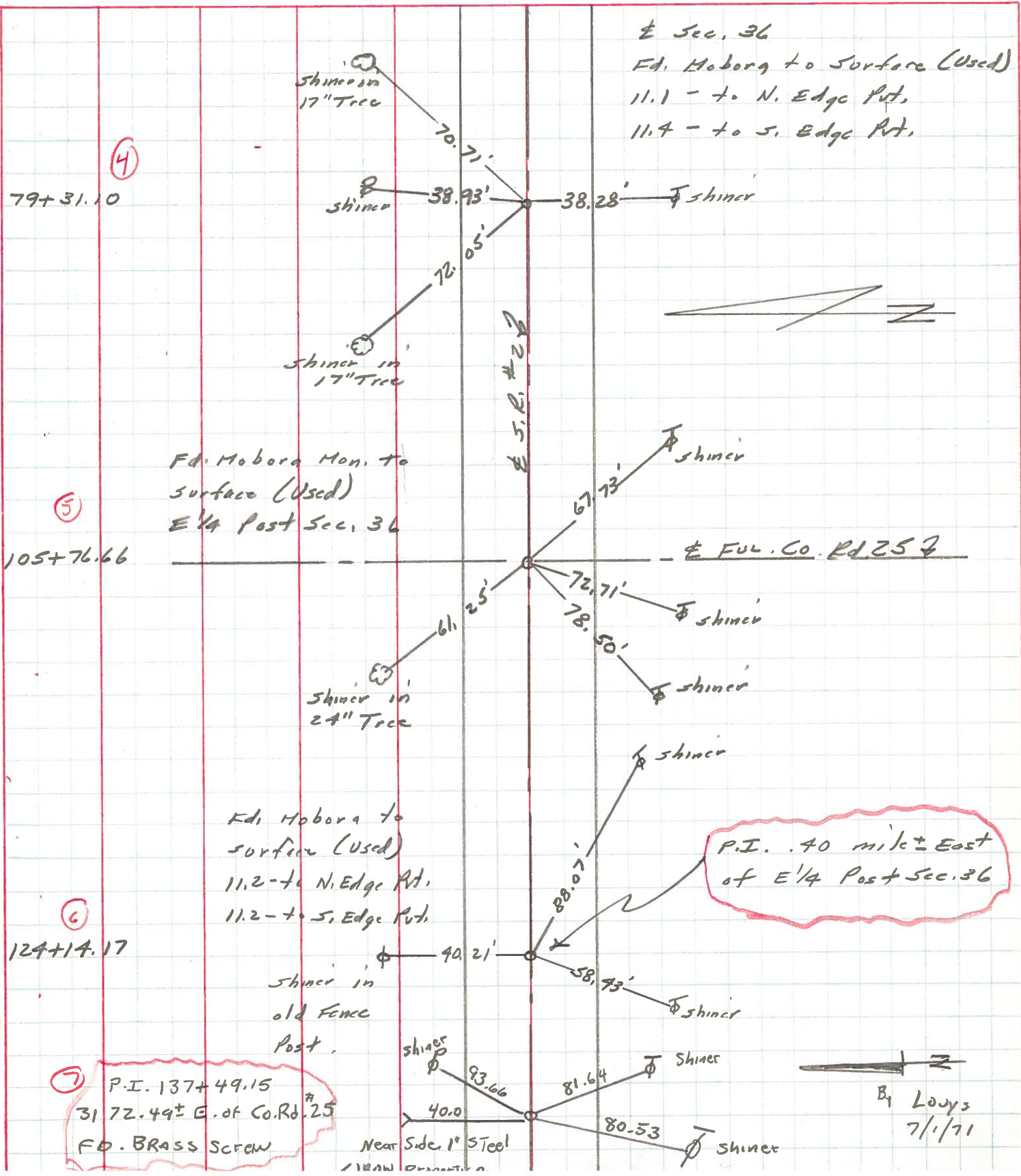
DESCRIPTION References to Control Points JOB NO.



PERSONNEL	TITLE	PERSONNEL	TITLE
Stone	Notes		
Michalak	R.C.		
Denno	H.C.		

COUNTY Fulton DATE 13 June 72
 S. R. #2 WEATHER Humid
 SEC. Co. Line to Archbold TEMP. 78°

DESCRIPTION References to Control Points JOB NO. _____



E Sec. 36
 Ed. Hoborg to surface (Used)
 11.1 - to N. Edge Pt.
 11.4 - to S. Edge Pt.

Ed. Hobora Mon. to surface (Used)
 E 1/4 Post Sec. 36

Ed. Hobora to surface (Used)
 11.2 - to N. Edge Pt.
 11.2 - to S. Edge Pt.

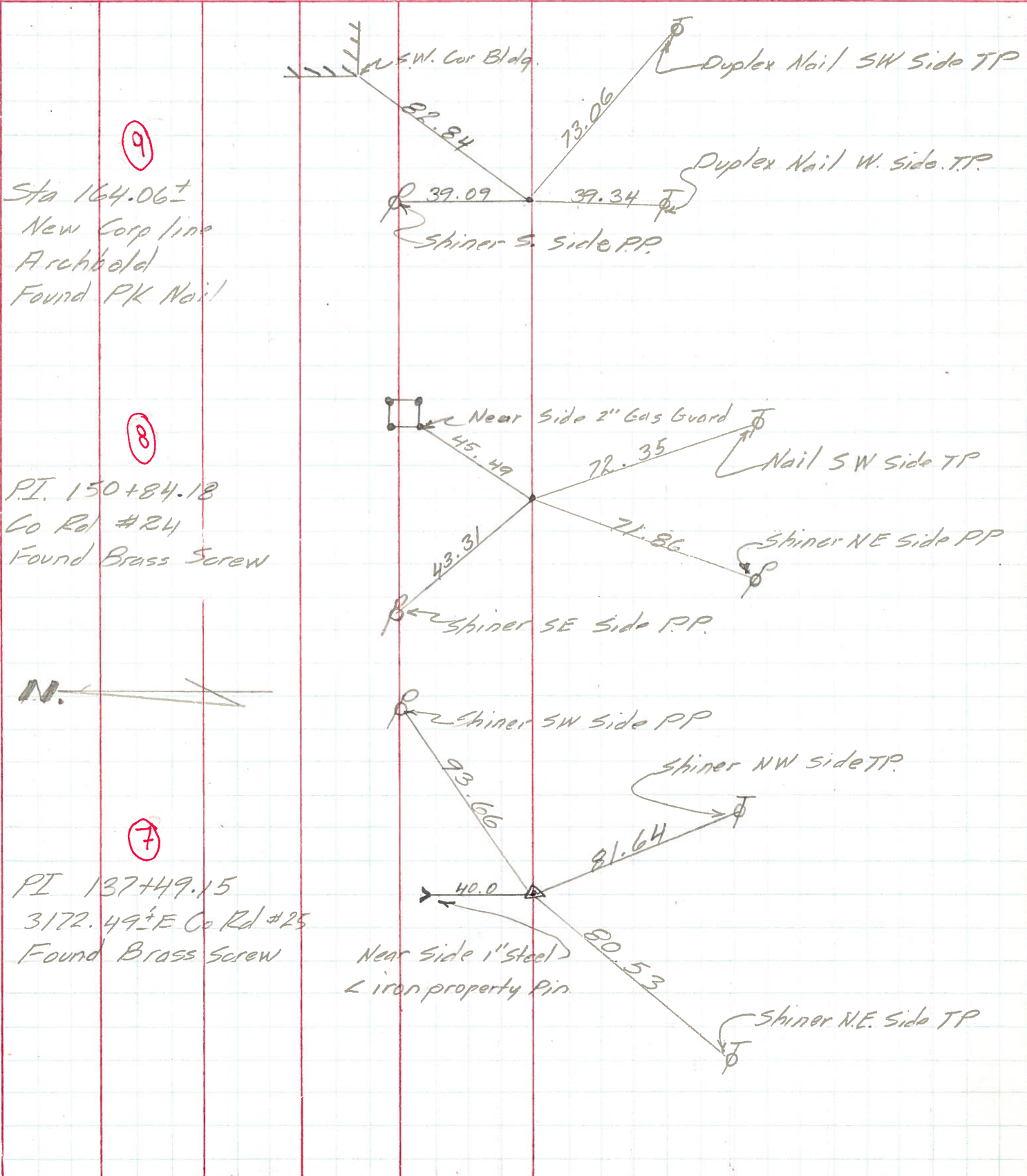
P.I. .70 mile ± East of E 1/4 Post + Sec. 36

P.I. 137+49.15
 31 72.49± E. of Co. Rd. 25
 F.D. BRASS SCREW
 Near Side 1" Steel 1/8" Diameter

By Louys
 7/1/71

PERSONNEL	TITLE	PERSONNEL	TITLE	COUNTY	FV	DATE	7/1/71
Louys		Brindley		S. R.	# 34	WEATHER	Fair
Erikson				SEC. W. of Fv Col line to later	2 1/2	TEMP.	80°
Rov							
Badenhop							

DESCRIPTION Re witnesses to Control Points JOB NO. _____



9
Sta 164.06±
New Corp line
Archbold
Found PK Nail

8
P.I. 150+84.18
Co Rd #24
Found Brass Screw

7
PI 137+49.15
3172.49± E Co Rd #25
Found Brass Screw

PERSONNEL TITLE PERSONNEL TITLE

COUNTY Fulton

DATE OK-1-22-58

S. R. # 7

WEATHER OK. 11-26-61
12-12-58

SEC.

Lowys 7-17-63

TEMP.

DESCRIPTION

LEFT

CENTER LINE

RIGHT

JOB NO.

