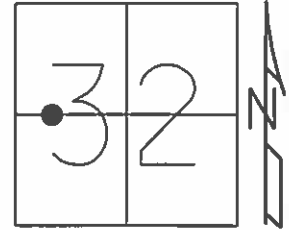


O.D.O.T. DISTRICT 2 SURVEY OFFICE (USE ONLY)

PERSONNEL _____ REFERENCE NO. 9 SHEET 9 OF 15

NOTES HOMAN DATE 5/31/12 ROUTE SR 2
 H.C. ROUSOS WEATHER CLOUDY COUNTY FULTON
 R.C. HOMAN TEMP. 65° TOWNSHIP GERMAN
 SECTION 32
T 7 N R 5 E

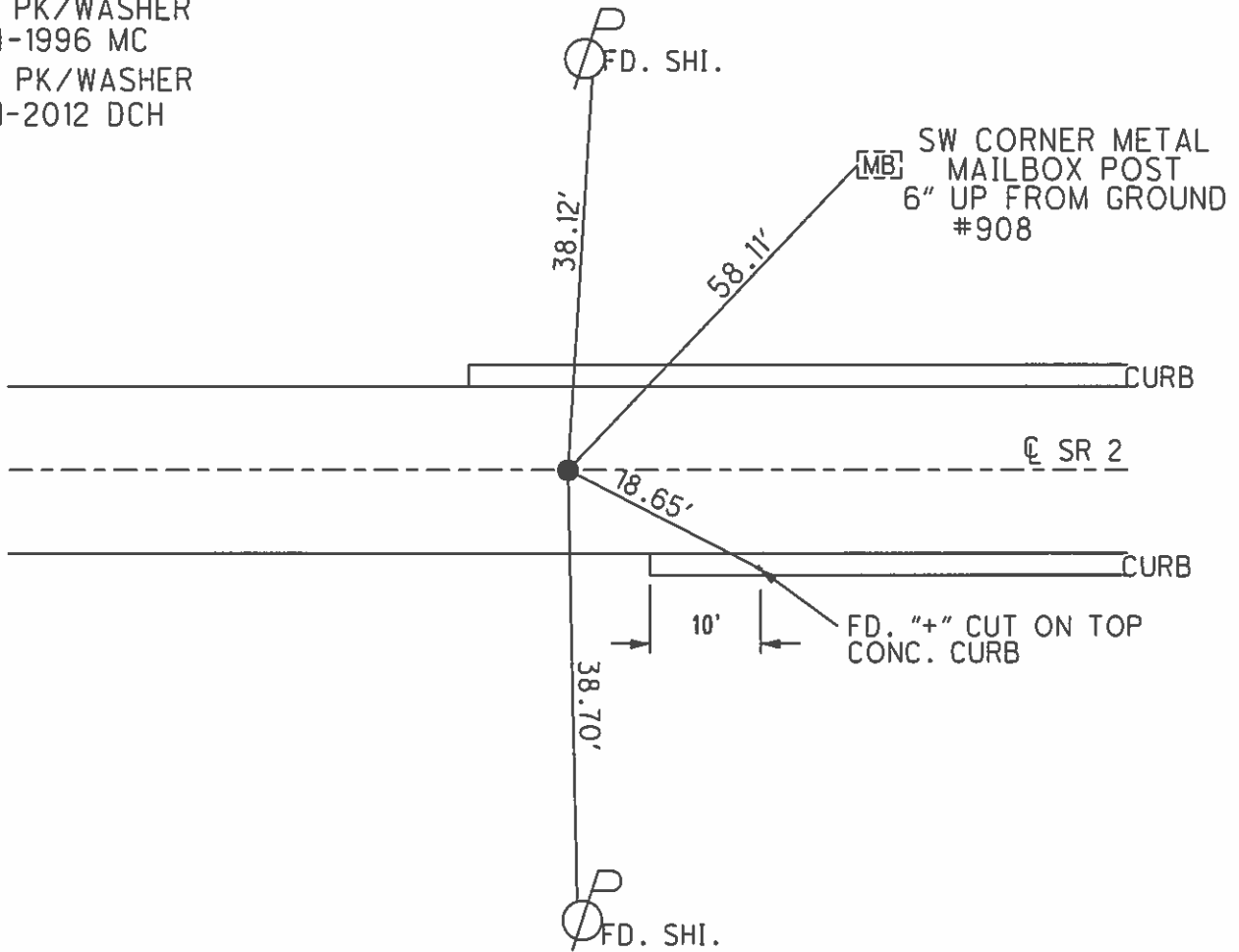
TYPE MONUMENT P.K./WASHER
 ON SURFACE - ~~BELOW~~ ON
~~LEFT - C~~ PAV'T - ~~RIGHT~~ ON
14.0' TO LT EDGE PAVEMENT
 S.L.M. 164+27



GRID: NORTHING: 680992.201 EASTING: 1469929.884

RECORD

SET PK/WASHER
 9-4-1996 MC
 SET PK/WASHER
 8-21-2012 DCH



FULTON COUNTY LAND CORNER REFERENCE SHEET

OFFICE OF THE FULTON COUNTY ENGINEER

Quick Reference Sheet

Section: 31 & 32
Town: 7 North
Range: 5 East
Corner Code#: C-12
Permanent Point # 140

1	A	B	C	D	E	F	G	H	I	J	K	L	M
2		6		5		4		3		2		1	
3													
4		7		8		9		10		11		12	
5													
6		18		17		16		15		14		13	
7													
8		19		20		21		22		23		24	
9													
10		30		29		28		27		26		25	
11													
12		31		32		33		34		35		36	
13													

I, Joseph D. Fenicle, PS, in a field survey on **May 20, 2010** do hereby state that the survey monument mentioned has been located and identified. The old witnesses, if available, were checked and if necessary a new monument was brought to the surface. New witnesses have been set where necessary using a 1 1/2 " brass tag stamped "Fulton County", unless indicated otherwise. All information has been researched to the best of my knowledge.

A. Description of original monument and accessories and/or subsequent restoration:

???? O. Griffin, Office of the Fulton County Engineer. **Stone**

- [1] NE 33.30' Anchor Post
- [2] NW 33.80' East Post of Dry Good Sign

1963 ???? , Ohio State Highway Department. **Stone & Brass Screw**

- [3] SE 73.98' Shiner in Telephone Pole
- [4] SW 71.88' Shiner in Power Pole
- [5] NW 42.41' Shiner in Power Pole

1972 I. Stone, Ohio Department of Transportation. **Monument Not Identified**

- [6] SE 71.05' Shiner
- [7] SW 68.60' Shiner
- [8] NW 43.29' Shiner

1995 C. Loehrke, Ohio Department of Transportation. **PK Nail/ Washer**

- [9] SE 70.88' Set Shiner in Northwest Side of Telephone Pole
- [10] SW 75.05' Found Shiner in Power Pole
- [11] SW 71.48' Set Shiner in East Side of Telephone Pole
- [8] NW 43.35' Found Shiner in Telephone Pole

2010 J. Fenicle, PS, Office of the Fulton County Engineer. **Set Railroad Spike w/ "x"**

- [12] NE 80.45' "Zerk" in Top Center Bolt of Fire Hydrant
- [9] SE 70.89' Found Nail/Shiner in Northwest Face of Telephone Pole
- [13] SE 49.09' Set Chiseled "x" on South Rim of Manhole
- [14] SE 63.81' Set Chiseled "x" on Northwest Face of Fence Corner Post
- [10] SW 75.15' Found Nail/Shiner in Northeast Face of Power Pole
- [11] SW 71.47' Found Nail/Shiner in Northeast Face of Telephone Pole # 040AT 7001
- [8] NW 43.37' Found Nail/Shiner in Southeast Face of Telephone Pole # 040AT 900 1R1

B. State Plane Coordinates (NAD1983[86]), Ohio North Zone (3401), U.S. Survey Feet.

North 681022.743 East 1468604.033

C. Notes This corner is located at the intersection of Township Road 24 and State Route 2. This corner was set based off the latest (1995) references. Set 1 1/2" MAG Nails 2.00' North & West.

O.D.O.T. DISTRICT 2 SURVEY OFFICE

PERSONNEL _____

REFERENCE NO. 9

SHEET 9 OF 23

NOTES LOEHRKE

H.C. Row 303

R.C. CANTERBURY

DATE 8-8-95

WEATHER CLOUDY

TEMP. +78

ROUTE S.R. 2

COUNTY FULTON

TOWNSHIP GERMAN

SECTION 32

T 7 N R 5 E

Reset

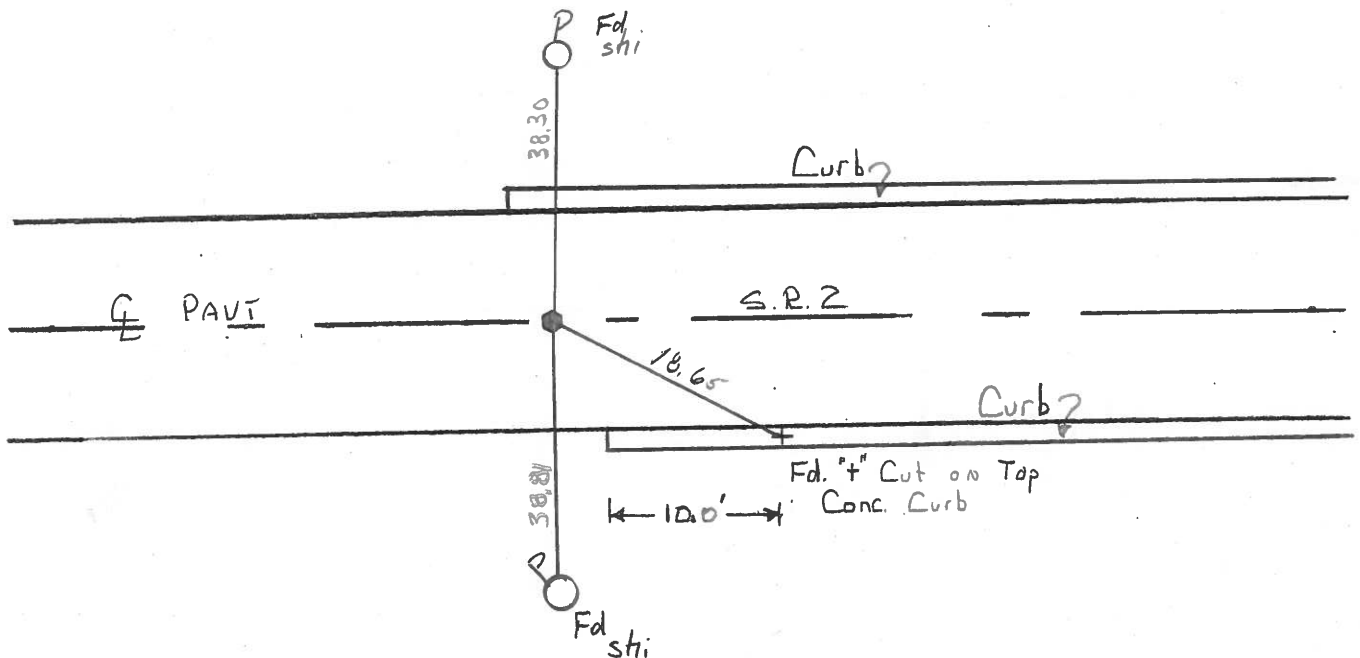
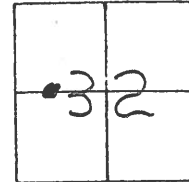
TYPE MONUMENT P.K. / WASHER 9-4-96

ON SURFACE - ~~BELOW~~ Yes

~~LEFT - & PAV'T. - RIGHT~~ Yes

140 J.O.L.T. ~~EDGE PAVEMENT~~ FACE of Curb

S.L.M. 164+27



County FULTON S.R. 2

Date 7-3-84

Township GERMAN

Weather CLEAR

Section 32

Temp. +85

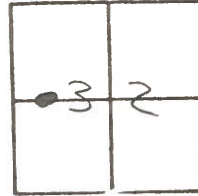
T2N, R5E

Personnel LOHRKE

HOUSEHOLDER RC

BARNEY HC

9



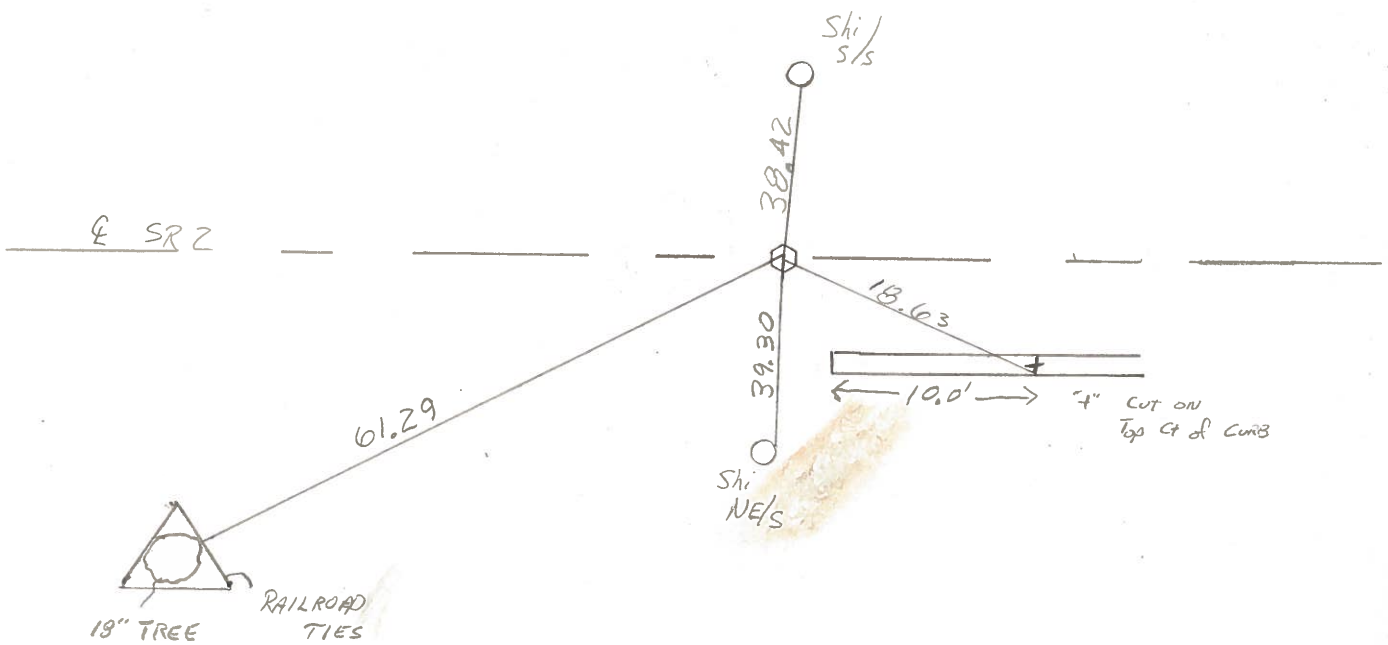
Fd PK NAIL @ SURFACE

SLM 164 to 9

14.1 SEP
A.O NEP
ON & SR2

ARCHBOLD CITY LIMITS

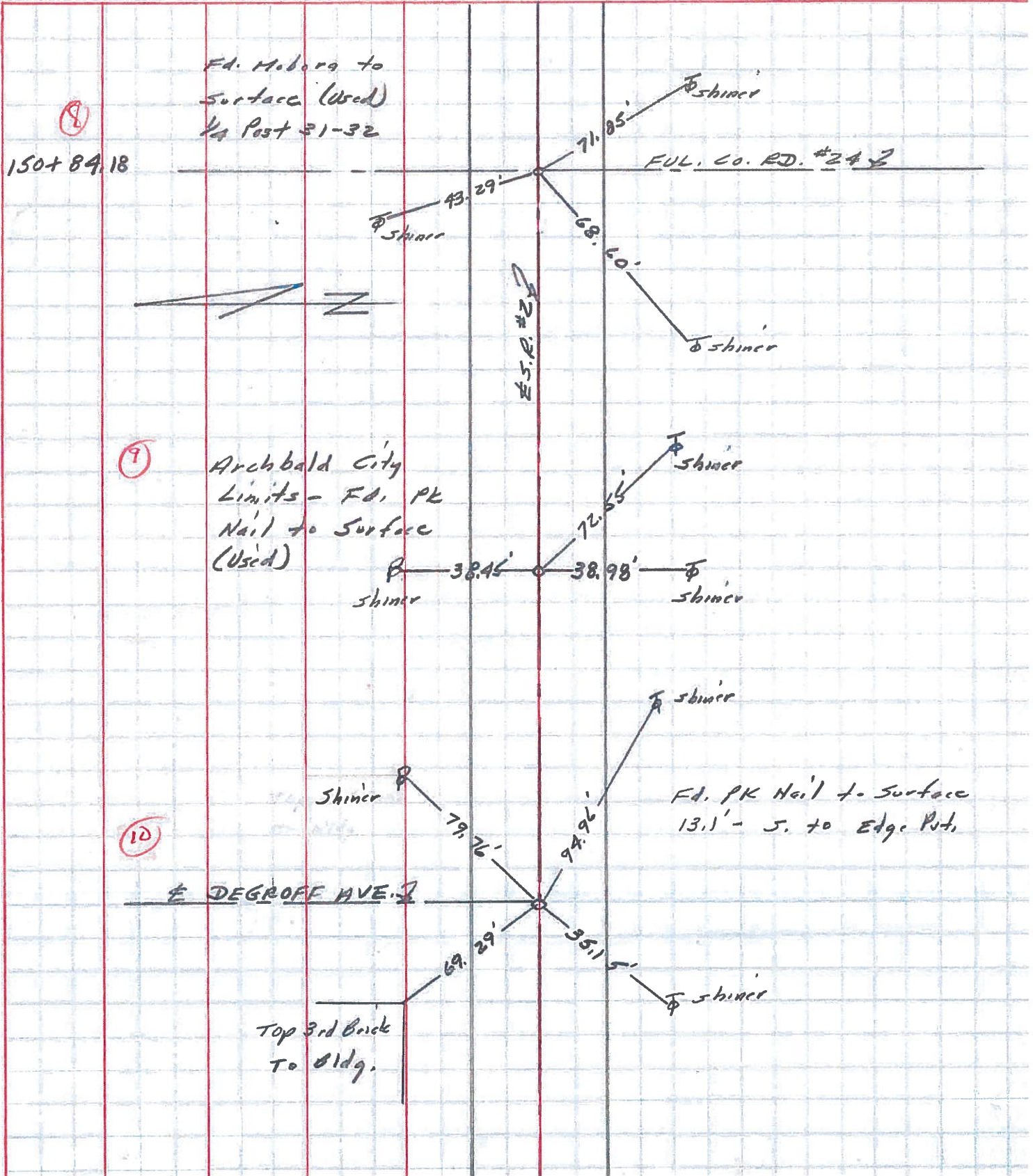
SET PK/WASHER
10-5-84
C.L.



PERSONNEL	TITLE	PERSONNEL	TITLE
Stone	Asst. S.		
Michalak	H.C.		
Danna	R.C.		
Curtis	R.S.		

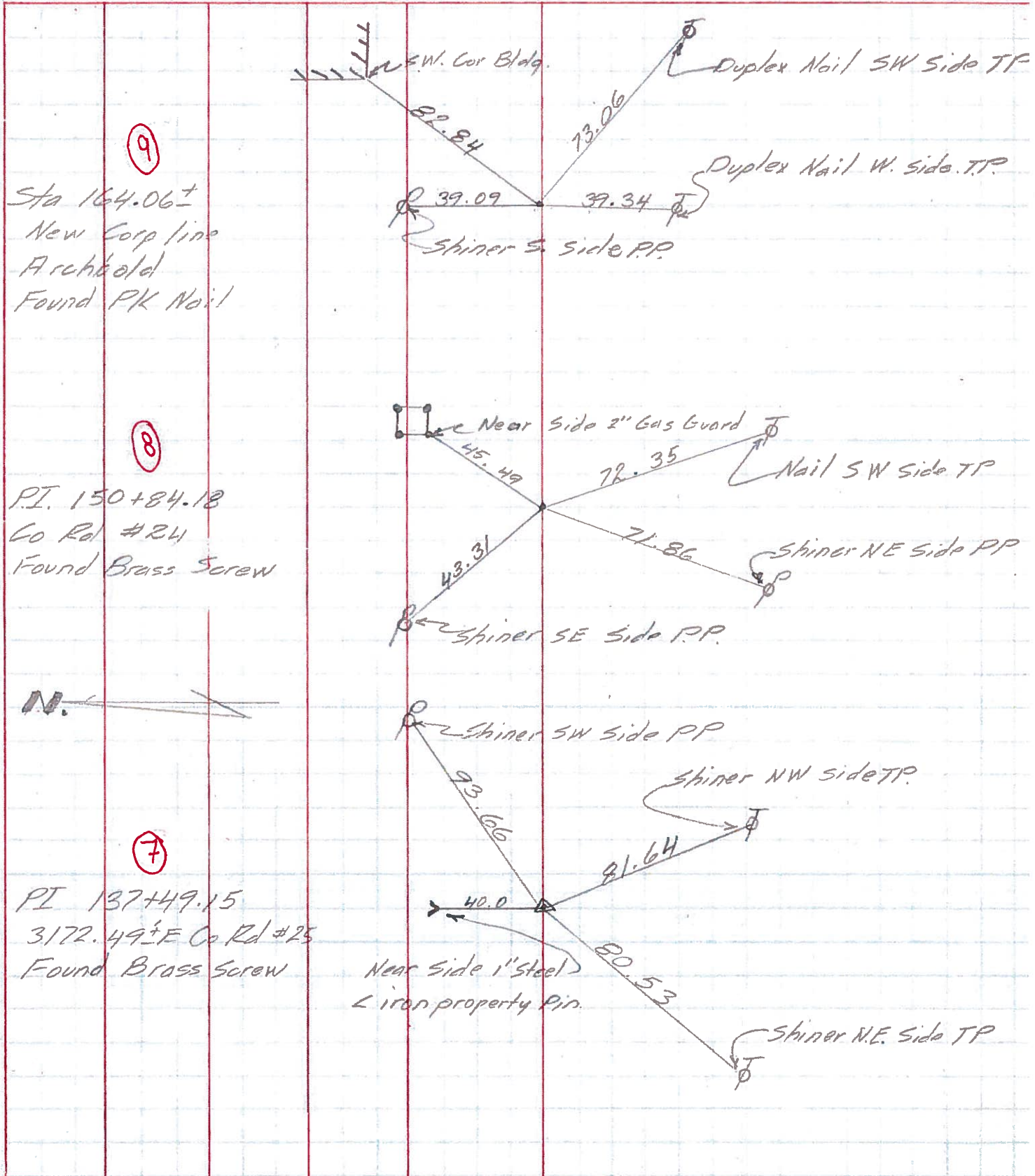
COUNTY Fulton DATE 14 June 72
 S. R. #2 WEATHER Humid
 SEC. Co. Line East to Archbold TEMP. 79°

DESCRIPTION References to Control Points JOB NO. _____
 LEFT CENTER LINE RIGHT



PERSONNEL	TITLE	PERSONNEL	TITLE	COUNTY	DATE
Louys		Brindley		Fu	7/1/71
Erikson				S. R. # 34	WEATHER Fair
Rov				SEC. W. & Fu Co line to later 2 & 66	TEMP. 80°
Badenhop					

DESCRIPTION Re-witness to Control points JOB NO. _____



PERSONNEL	TITLE	PERSONNEL	TITLE
Knape			
Armbruster			
Gunfer			
Mohler			

COUNTY Fulton DATE 11-1-60

S. R. 2 WEATHER Cloudy

SEC. _____ TEMP. 50°

DESCRIPTION Archbold, West Village Limits - Stryker St.

JOB NO. 11-1-61 W. Knape

