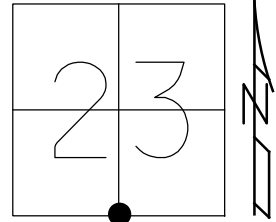


O.D.O.T. DISTRICT 2 SURVEY OFFICE (USE ONLY)

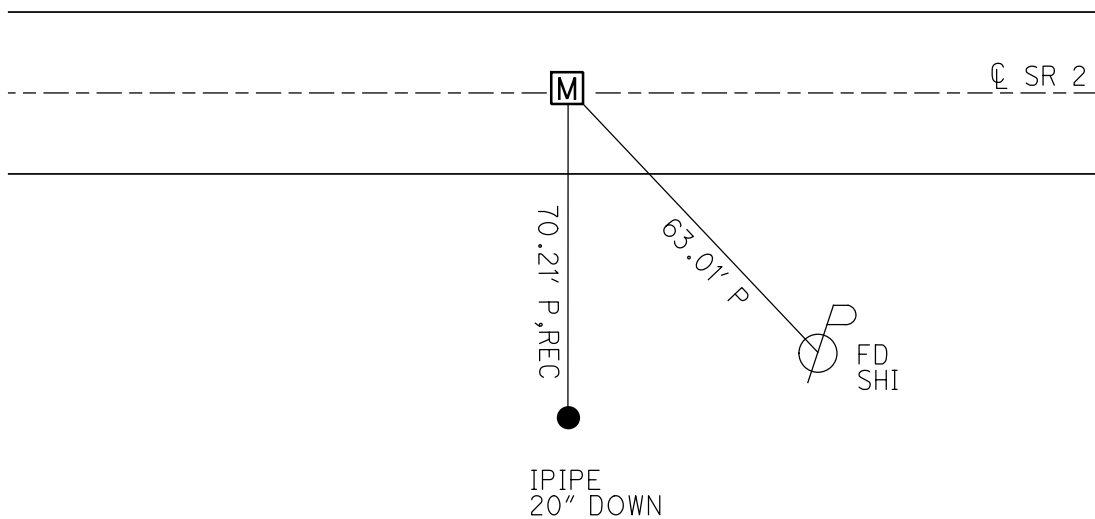
PERSONNEL _____ REFERENCE NO. 19 SHEET 6 OF 11
 NOTES NIESE DATE 3/5/21 ROUTE SR 2
 H.C. RHOADES WEATHER SUNNY COUNTY FULTON
 R.C. _____ TEMP. 35° TOWNSHIP GERMAN
 DWG BY NIESE PID PAVETRAIN SECTION 23
 T 7 N R 5 E

TYPE MONUMENT MONBOX
 ON SURFACE - ~~BELOW~~ ON
 OFFSET \odot PAVEMENT 0.5' LT : ~~RT~~
11.6' TO LT EDGE PAVEMENT
 STATION: 415+68



HORIZ.DATUM: NAD83 2011 GEOID: NAVD88 2012A
 GRID: NORTHING: _____ EASTING: _____

RECORD: P.I.
 STA. 416+15.64
 FD MONBOX
 W/TWO "+" CUTS
 TIED TO IPIN IN BOX
 5/13/02, DCH
 FD MONBOX
 COVERED W/ASPHALT
 10/22/19, JFO
 3/5/21, JMR
 7/14/22, TDN



O.D.O.T. DISTRICT 2 SURVEY OFFICE (USE ONLY)

PERSONNEL

REFERENCE NO. 19

SHEET 6 OF 11

NOTES NIESE DATE 3/5/21
 H.C. RHOADES WEATHER SUNNY
 R.C. _____ TEMP. 35°

ROUTE SR 2
 COUNTY FULTON
 TOWNSHIP GERMAN
 SECTION 23
 T 7 N R 5 E

DWG BY NIESE PID PAVETRAIN

TYPE MONUMENT MONBOX

ON SURFACE - ~~BELOW~~ ON

OFFSET 0.5' LT : ~~RT~~

11.6' TO LT EDGE PAVEMENT

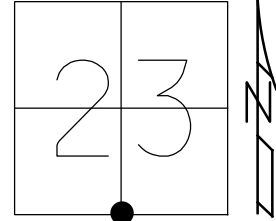
STATION: 415+68

HORIZ.DATUM: NAD83 2011

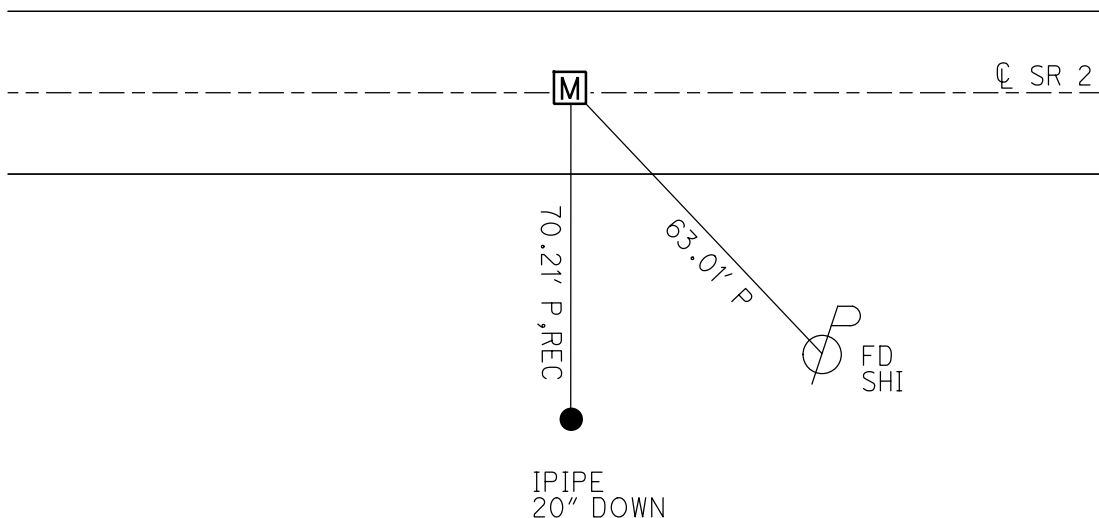
GEOID: NAVD88 2012A

GRID: NORTHING: _____

EASTING: _____



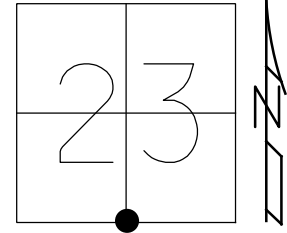
RECORD: P.I.
 STA. 416+15.64
 FD MONBOX
 W/TWO "+" CUTS
 TIED TO IPIN IN BOX
 5/13/02, DCH
 FD MONBOX
 COVERED W/ASPHALT
 10/22/19, JFO
 3/5/21, JMR



O.D.O.T. DISTRICT 2 SURVEY OFFICE (USE ONLY)

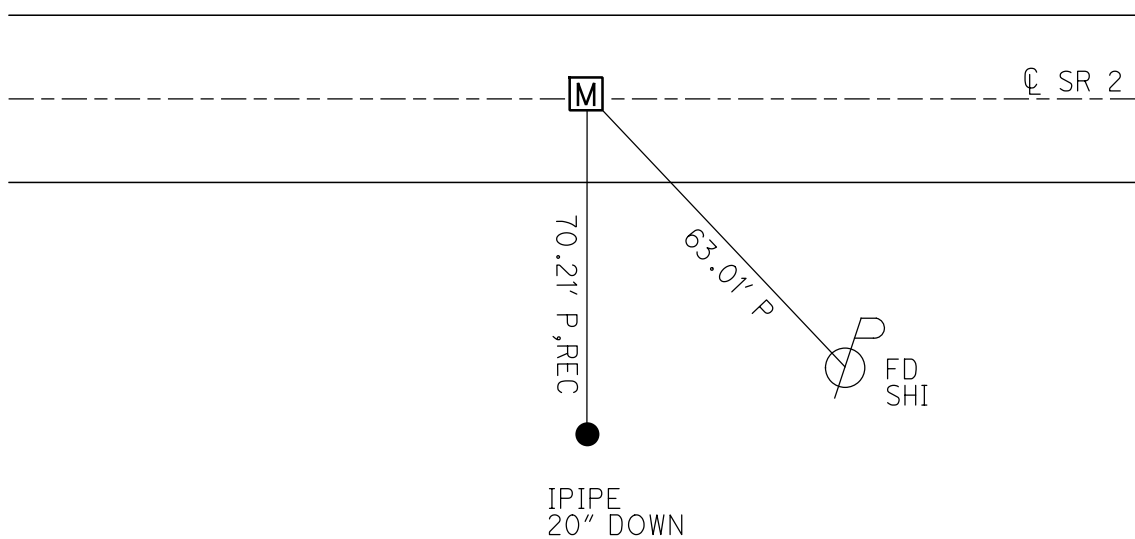
PERSONNEL _____ REFERENCE NO. 19 SHEET 6 OF 11
 NOTES RHOADES DATE 9/25/20 ROUTE SR 2
 H.C. O'DONNELL WEATHER SUNNY COUNTY FULTON
 R.C. AUBLE TEMP. 54° TOWNSHIP GERMAN
 SECTION 23
 DWG BY RHOADES PID PAVETRAIN T 7 N R 5 E

TYPE MONUMENT MONBOX
 ON SURFACE - ~~BELOW~~ ON
 OFFSET 0.5' LT : ~~RT~~
11.6' TO LT EDGE PAVEMENT
 STATION: 415+68



HORZ.DATUM: NAD83 2011 GEOID: NAVD88 2012A
 GRID: NORTHING: _____ EASTING: _____

RECORD: P.I.
 STA. 416+15.64
 FD MONBOX
 W/TWO "+" CUTS
 TIED TO IPIN IN BOX
 5/13/02, DCH
 FD MONBOX
 COVERED W/ASPHALT
 10/22/19, JFO



O.D.O.T. DISTRICT 2 SURVEY OFFICE (USE ONLY)

PERSONNEL _____ REFERENCE NO. 19 SHEET 6 OF 11

NOTES ROUSOS DATE 5/13/02 ROUTE SR 2

H.C. HOMAN WEATHER WINDY COUNTY FULTON

R.C. MICHALAK TEMP. 52° TOWNSHIP GERMAN

SECTION 23

T 7 N R 5 E

TYPE MONUMENT MON.BOX

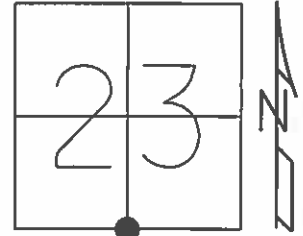
ON SURFACE - ~~BELOW~~ ON _____

LEFT - ☉ PAV'T - ~~RIGHT~~ 0.5'

11.6' TO LT EDGE PAVEMENT

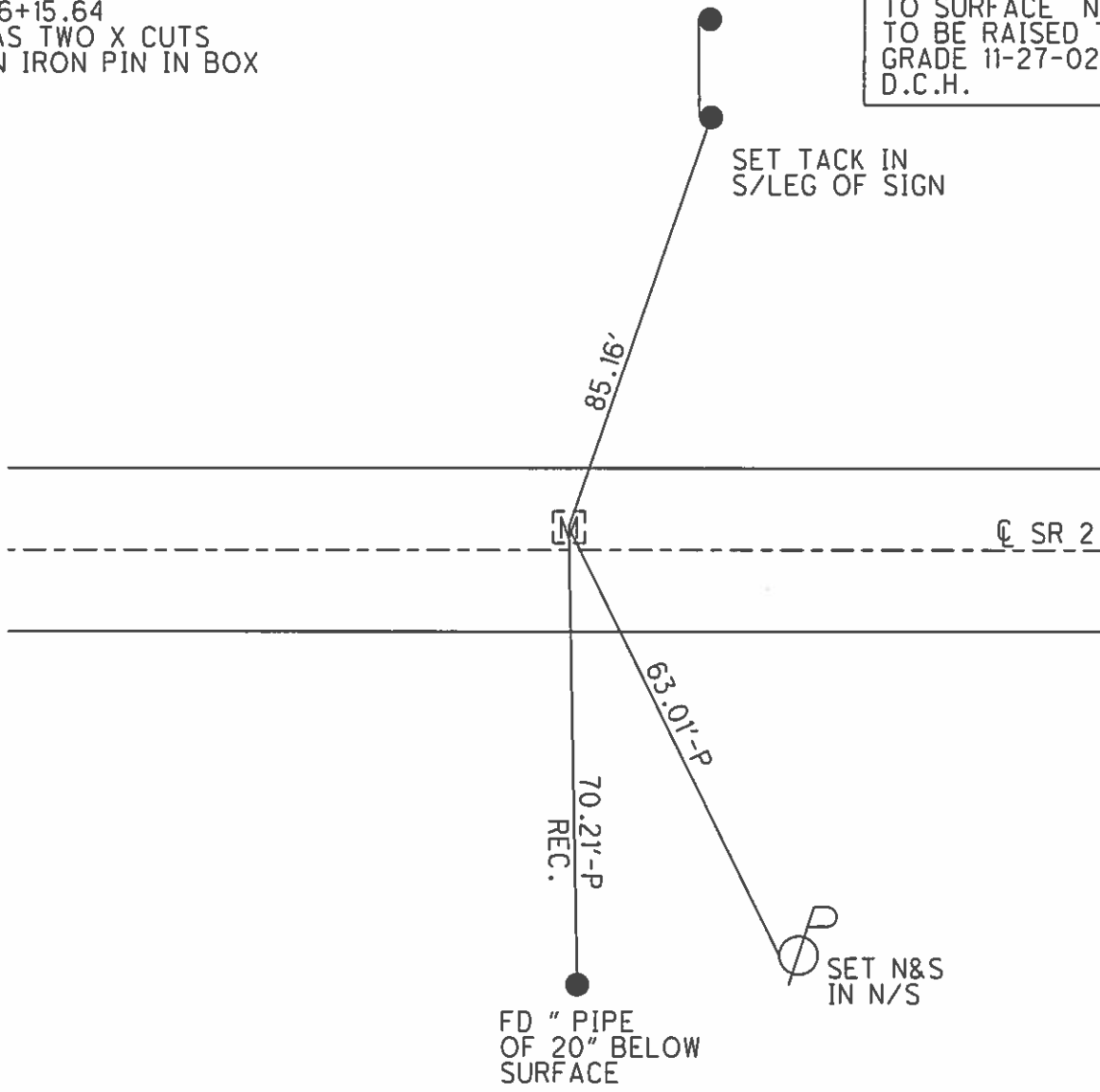
S.L.M. 415+68

GRID: NORTHING: _____ EASTING: _____



RECORD:
P.I. 416+15.64
BOX HAS TWO X CUTS
TIED IN IRON PIN IN BOX

BOX NOT BROUGHT
TO SURFACE NEEDS
TO BE RAISED TO
GRADE 11-27-02
D.C.H.



O.D.O.T. DISTRICT 2 SURVEY OFFICE

PERSONNEL

REFERENCE NO. 19

SHEET 7 OF 13

NOTES 1. Stone

H.C. D. Curtis

DATE 17 Aug. 87

ROUTE SR 2

R.C. J. Haushalter

WEATHER Warm

COUNTY Fulton

TEMP. 80°

TOWNSHIP GERMAN

SECTION 23

T. 7 N. R S. E

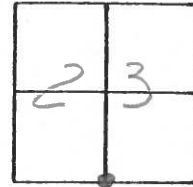
TYPE MONUMENT MONUMENT BOX

ON SURFACE - ~~BELOW~~ YES

LEFT-~~☉~~ PAV'T. - ~~RIGHT~~ 0.5

11.6 TO LT EDGE PAVEMENT

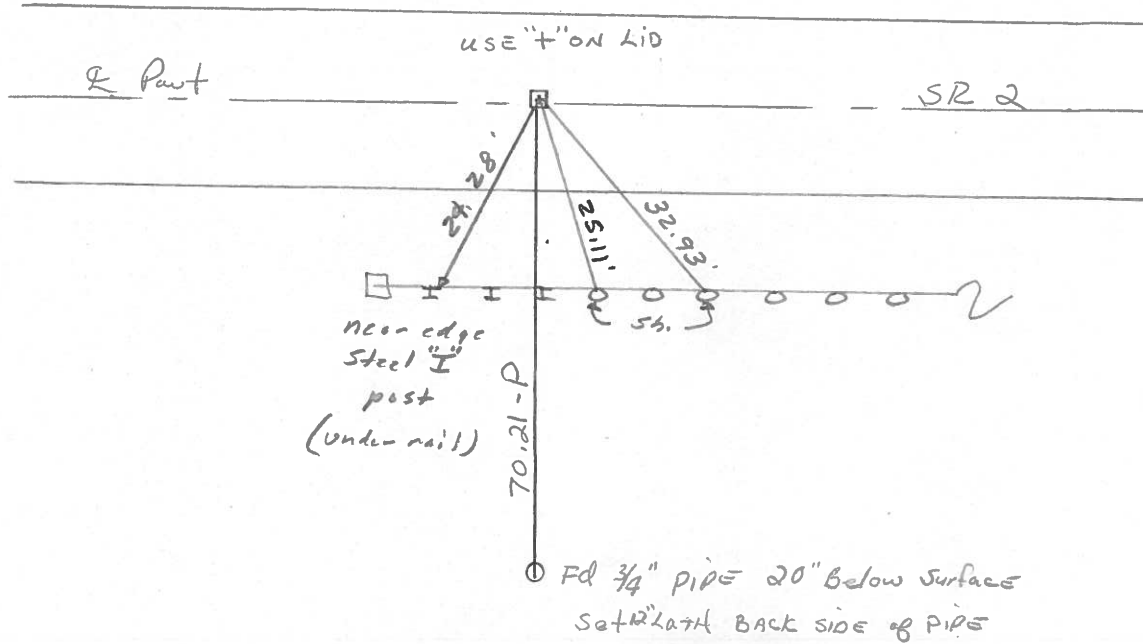
S.L.M. 415+68



Record:

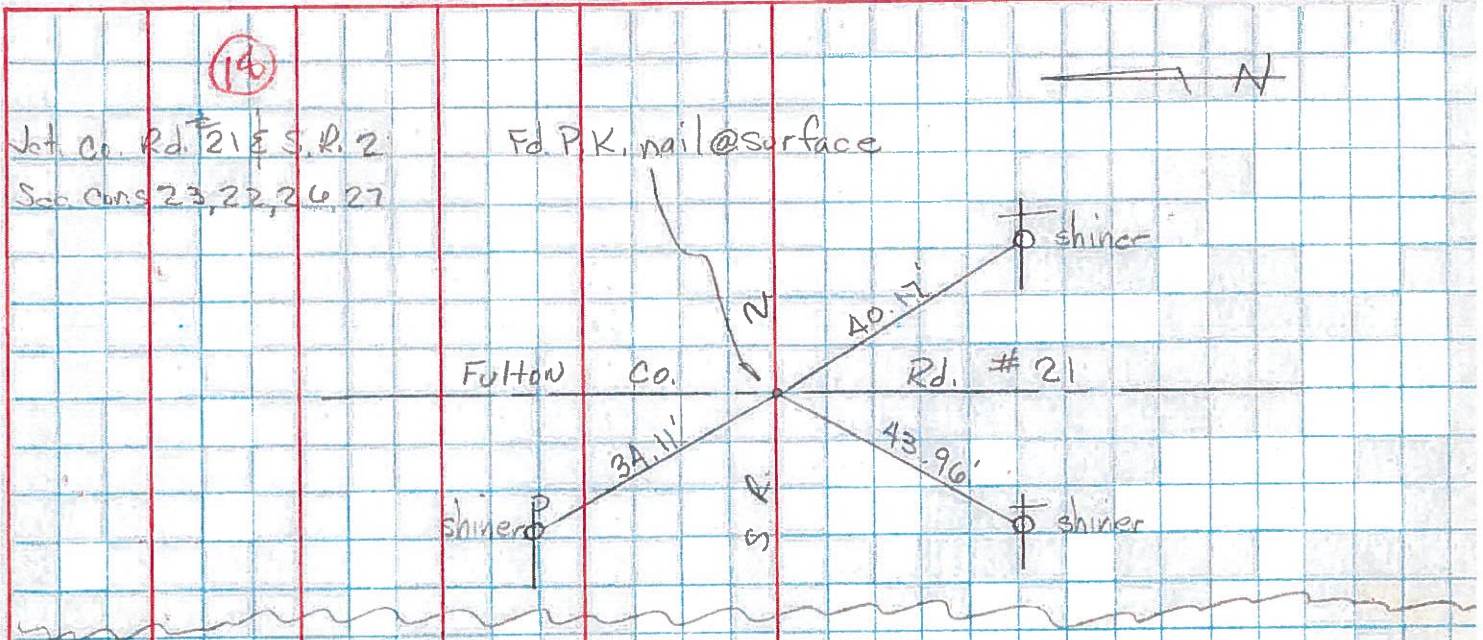
P.I. 416+15.64

OK TO SURFACE
4-29-88



PERSONNEL	TITLE	PERSONNEL	TITLE	COUNTY	DATE
Tomsic				Fulton	MAY 17, 1973
Neuser				S. R. 2	WEATHER
Granata				SEC.	TEMP.
Vanyo					

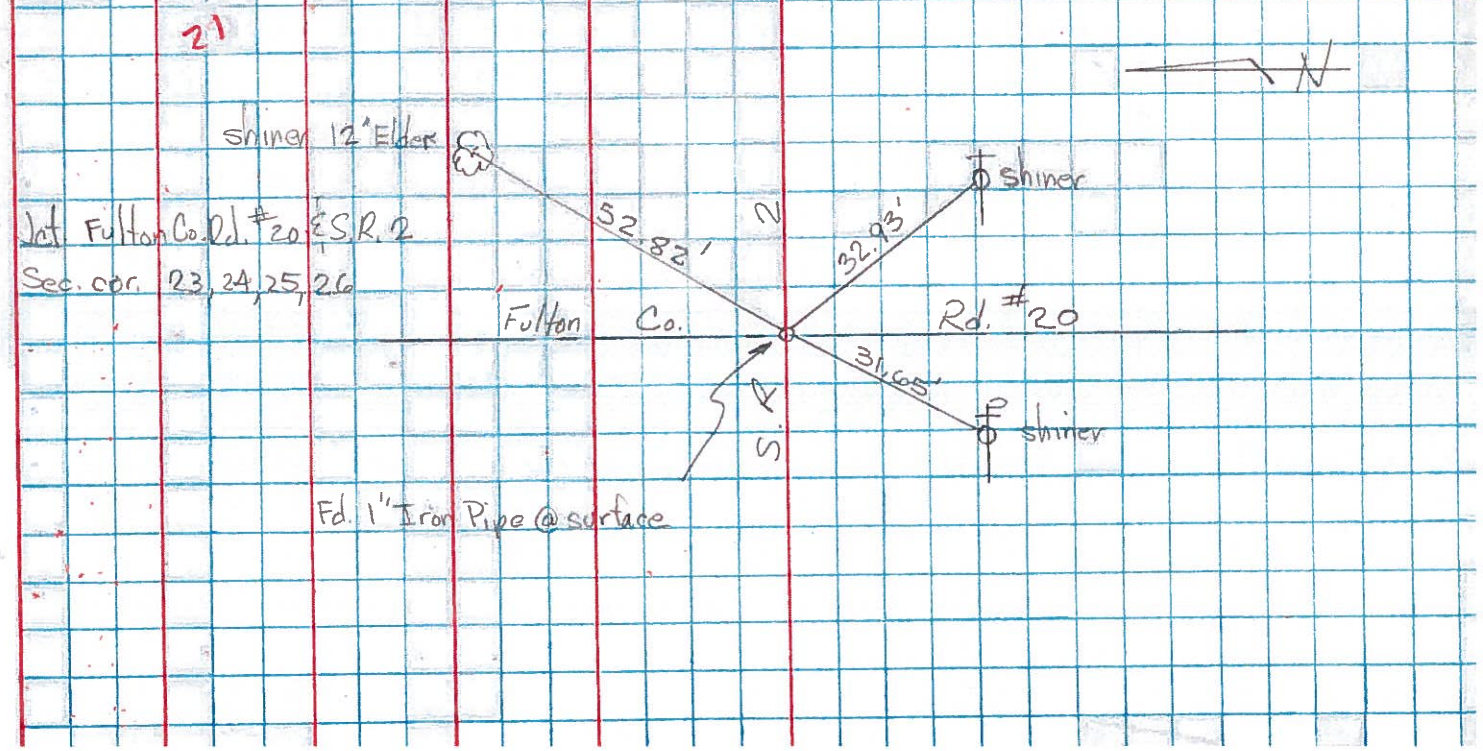
DESCRIPTION	LEFT	CENTER LINE	RIGHT	JOB NO.
-------------	------	-------------	-------	---------



S. 1/4 Post Sec. 23 19
German TWP.

Ref. by Red Beech & Crow July '72

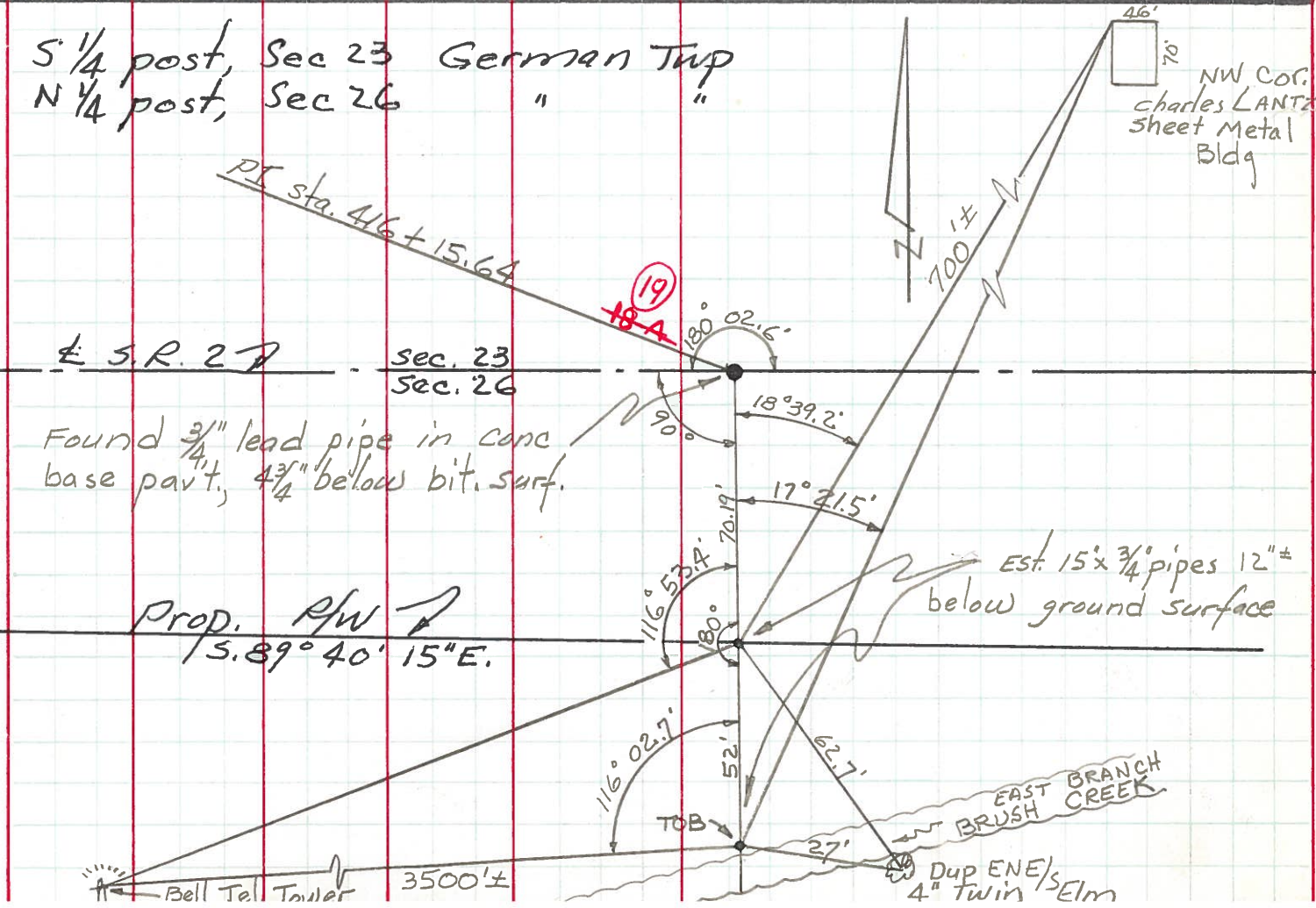
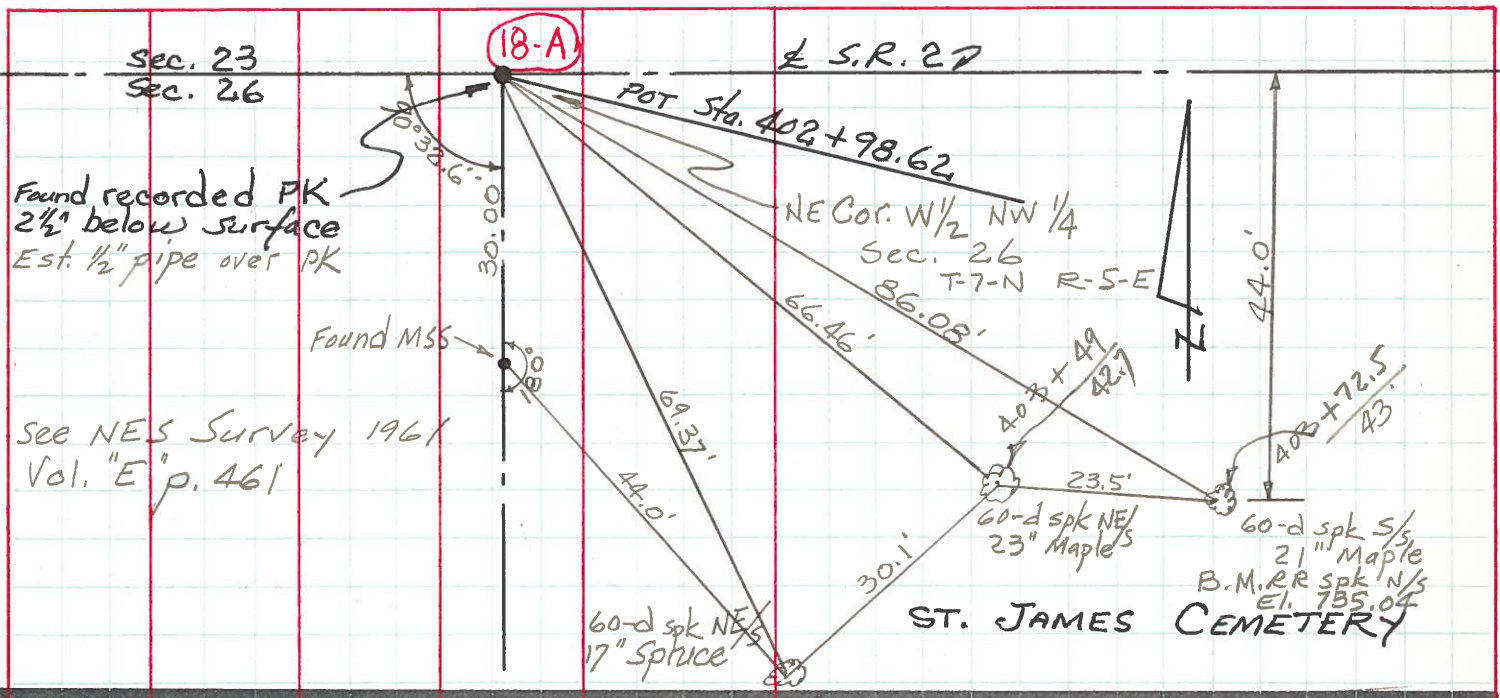
see following additional pages



PERSONNEL TITLE PERSONNEL TITLE
 Red Beach _____
 Knape _____
 Newcomb _____

COUNTY Fulton DATE 10 July 78
 S. R. 2 WEATHER _____
 SEC. GERMAN TWP. TEMP. _____

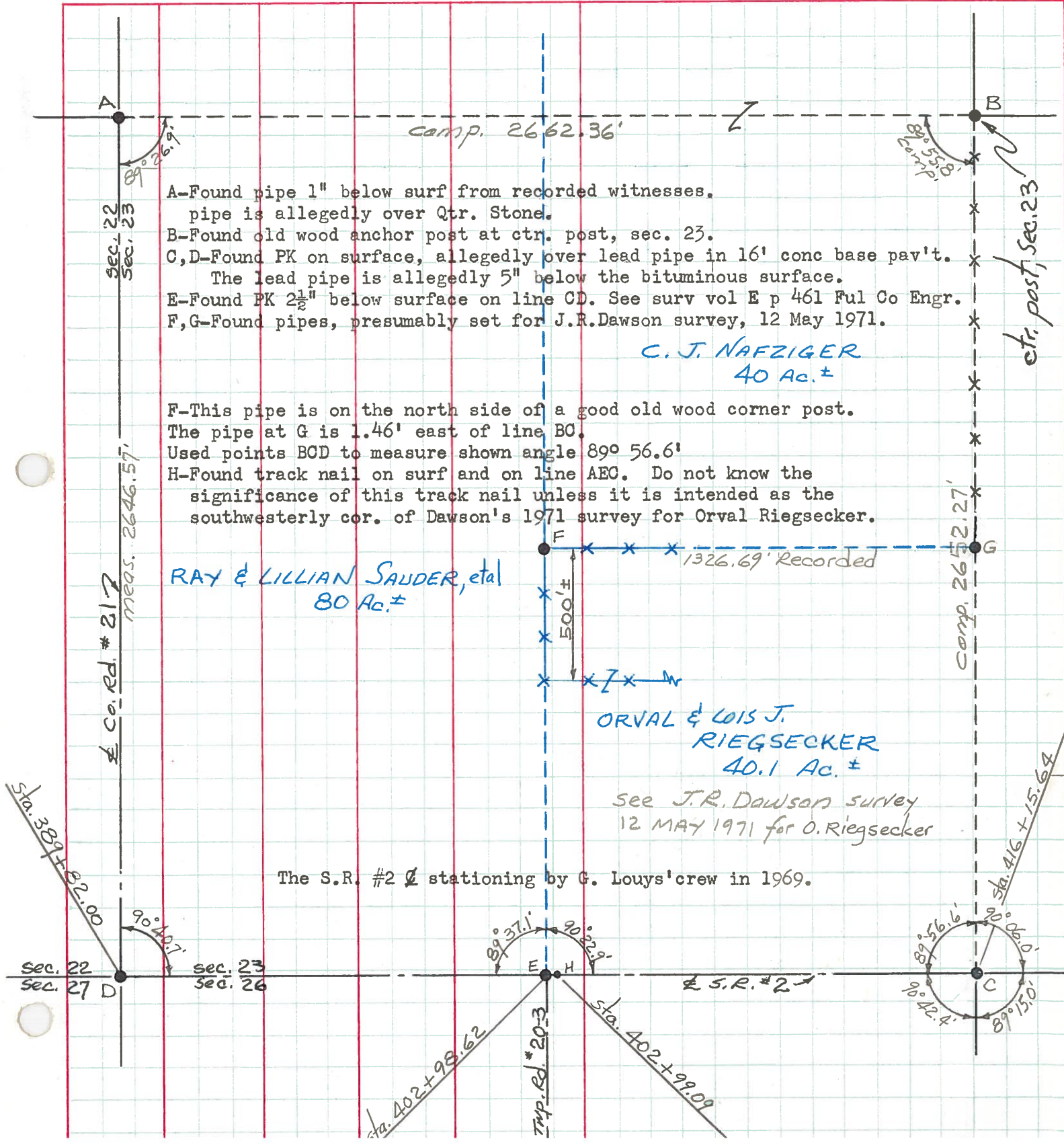
DESCRIPTION CONTROL POINTS JOB NO. _____



PERSONNEL	TITLE	PERSONNEL	TITLE
Red Beach			
Newcomb			
Knappe			
Wise			

COUNTY FULTON DATE MARCH '72
 S. R. # 2 WEATHER Marchy
 SEC. SW 1/4 Sec. 23 TEMP. _____

DESCRIPTION GERMAN TWP. T-7-N R-5-E JOB NO. 02825(0)
 LEFT CENTER LINE RIGHT



- A-Found pipe 1" below surf from recorded witnesses. pipe is allegedly over Qtr. Stone.
- B-Found old wood anchor post at ctr. post, sec. 23.
- C,D-Found PK on surface, allegedly over lead pipe in 16' conc base pav't. The lead pipe is allegedly 5" below the bituminous surface.
- E-Found PK 2 1/2" below surface on line CD. See surv vol E p 461 Ful Co Engr.
- F,G-Found pipes, presumably set for J.R.Dawson survey, 12 May 1971.

C. J. NAFZIGER
40 Ac. ±

- F-This pipe is on the north side of a good old wood corner post. The pipe at G is 1.46' east of line BC.
- Used points BCD to measure shown angle 89° 56.6'
- H-Found track nail on surf and on line AEC. Do not know the significance of this track nail unless it is intended as the southwesterly cor. of Dawson's 1971 survey for Orval Riegsecker.

RAY & LILLIAN SAUDER, etal
80 Ac. ±

ORVAL & LOIS J. RIEGSECKER
40.1 Ac. ±

See J.R. Dawson survey
12 MAY 1971 for O. Riegsecker

The S.R. #2 stationing by G. Louys' crew in 1969.

ctr. post, sec. 23

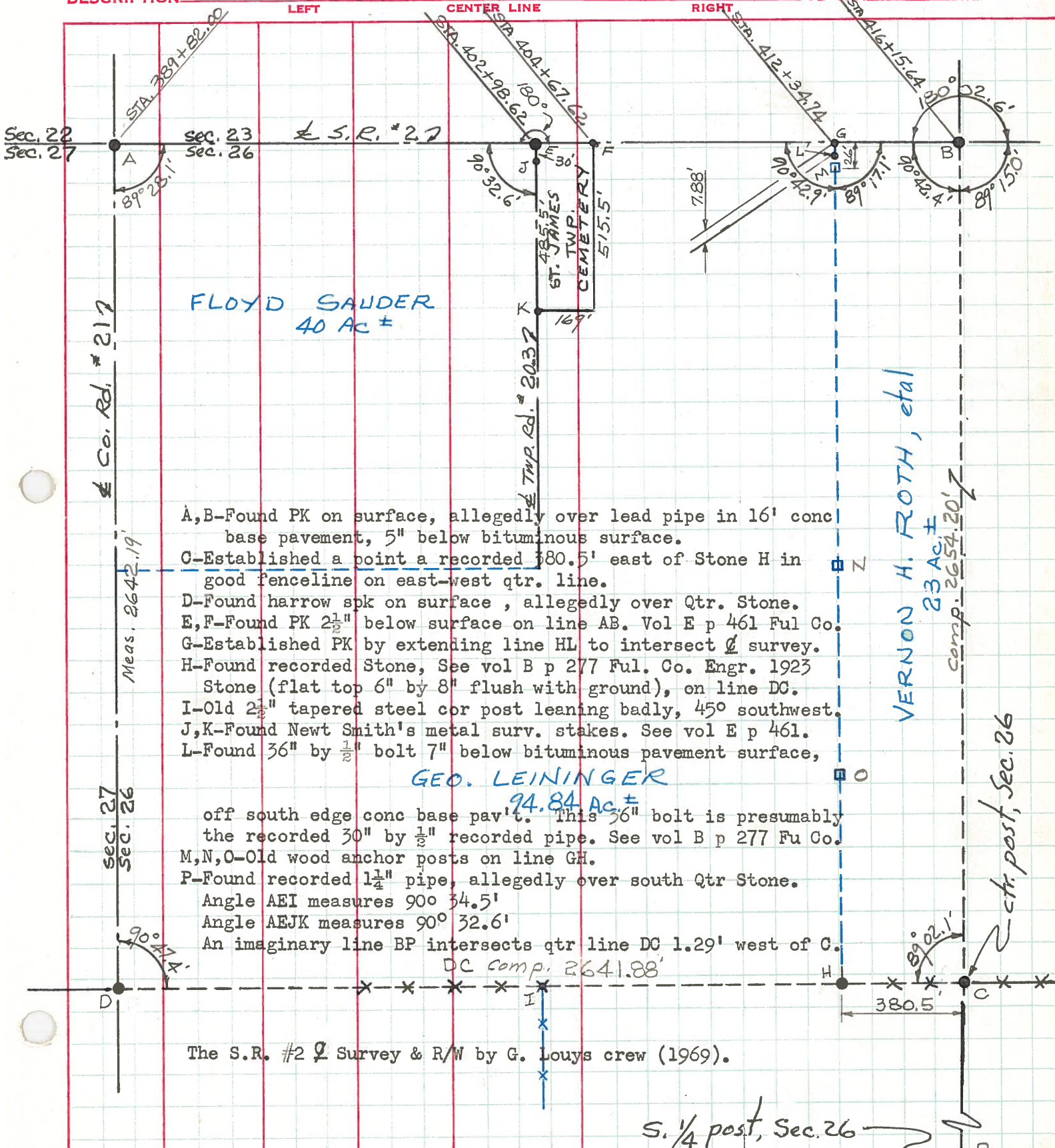
sec. 22
sec. 23
Co. Rd. # 217
meas. 2646.57'

comp. 2652.27'

Sta. 402+98.62
Temp. Rd. # 20-3
Sta. 402+99.09

PERSONNEL TITLE PERSONNEL TITLE COUNTY FULTON DATE MAR. 1972
Red Beach, _____
Newcomb _____
Knape _____
Wise _____
 S. R. *2 WEATHER Marchy
 SEC. NW 1/4 Sec. 26 TEMP. _____

DESCRIPTION GERMAN TWP. T-7-N R-5-E JOB NO. 02825 (0)



FLOYD SAUDER
40 Ac ±

GEO. LEININGER
94.84 Ac ±

VERNON H. ROTH, et al
23 Ac ±
Comp. 2654.20'

- A, B-Found PK on surface, allegedly over lead pipe in 16' conc base pavement, 5" below bituminous surface.
- C-Established a point a recorded 380.5' east of Stone H in good fenceline on east-west qtr. line.
- D-Found harrow spk on surface, allegedly over Qtr. Stone.
- E, F-Found PK 2 1/2" below surface on line AB. Vol E p 461 Ful Co.
- G-Established PK by extending line HL to intersect Q survey.
- H-Found recorded Stone, See vol B p 277 Ful. Co. Engr. 1923 Stone (flat top 6" by 8" flush with ground), on line DC.
- I-Old 2 1/2" tapered steel cor post leaning badly, 45° southwest.
- J, K-Found Newt Smith's metal surv. stakes. See vol E p 461.
- L-Found 3/8" by 1/2" bolt 7" below bituminous pavement surface,

off south edge conc base pav't. This 3/8" bolt is presumably the recorded 30" by 1/2" recorded pipe. See vol B p 277 Fu Co.
 M, N, O-Old wood anchor posts on line GH.
 P-Found recorded 1 1/4" pipe, allegedly over south Qtr Stone.
 Angle AEI measures 90° 34.5'
 Angle AEJK measures 90° 32.6'
 An imaginary line BP intersects qtr line DC 1.29' west of C.
 DC comp. 2641.88'

The S.R. #2 Survey & R/W by G. Louys crew (1969).

S. 1/4 post, Sec. 26

PERSONNEL TITLE PERSONNEL TITLE

COUNTY Fulton

DATE OK-1-22-58

12-12-58

S. R. #2

WEATHER OK, 10-26-61 47%

SEC. _____

TEMP. _____

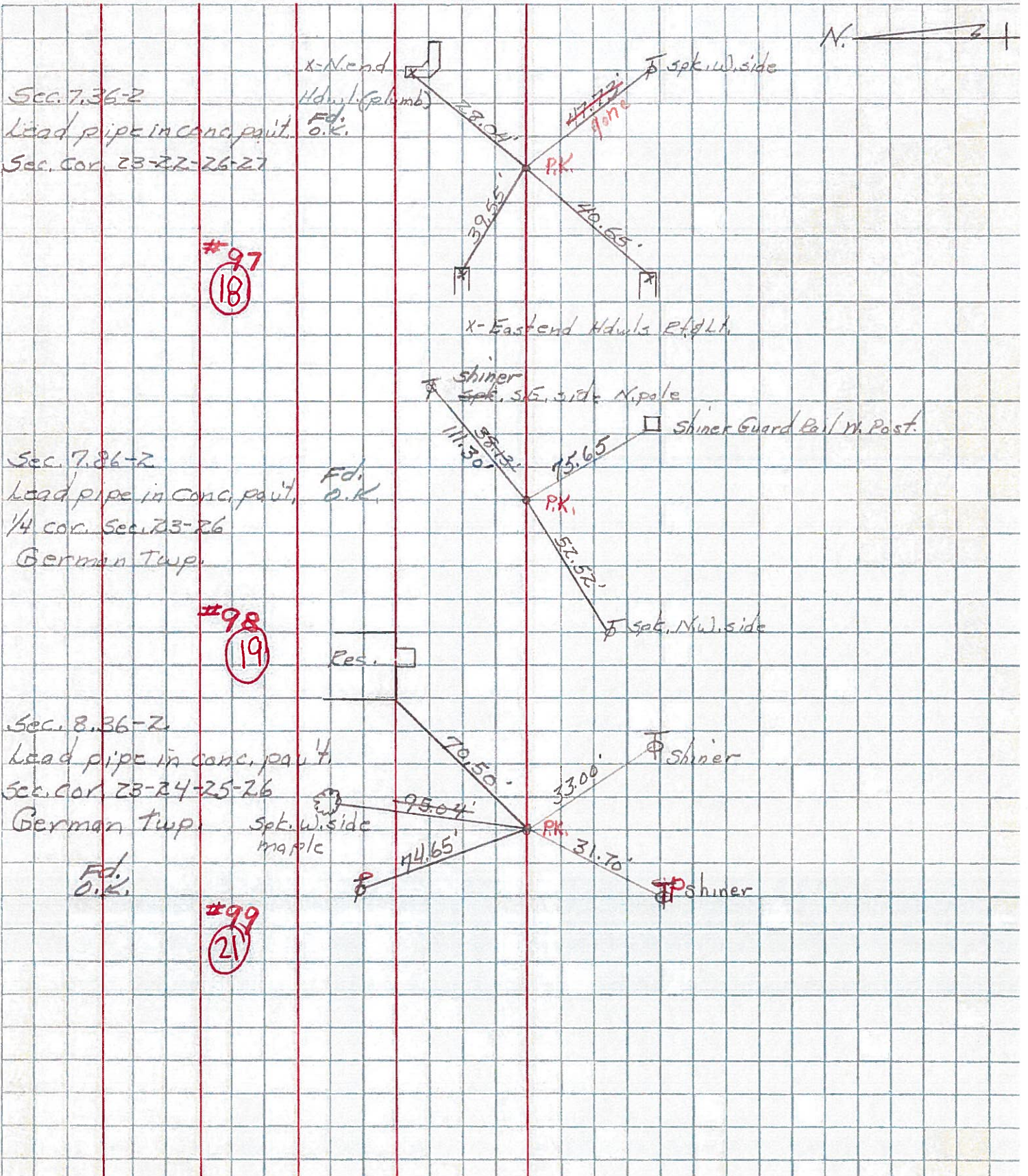
DESCRIPTION

LEFT

CENTER LINE

RIGHT

JOB NO. _____



PERSONNEL TITLE PERSONNEL TITLE

COUNTY Fu. DATE 6-6-69

Louys

Eriksen

Rau

Stickney

S. R. 2 - (756-7.90) WEATHER Fair.

SEC. 3-mi NE Archbold. TEMP. 70°

DESCRIPTION

Witnesses to Control Points

JOB NO.

LEFT CENTER LINE RIGHT

