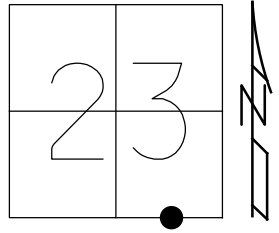


O.D.O.T. DISTRICT 2 SURVEY OFFICE (USE ONLY)

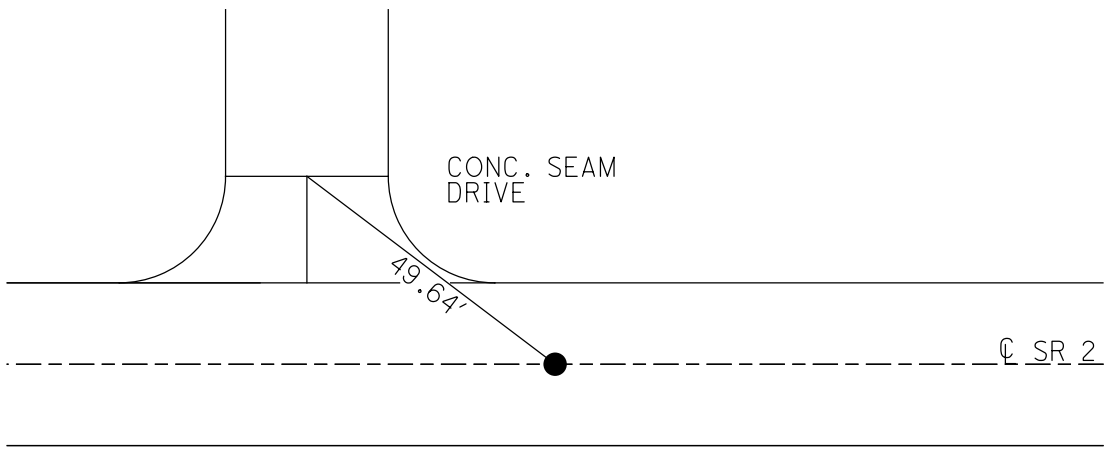
PERSONNEL _____ REFERENCE NO. 20 SHEET 7 OF 11
NOTES NIESE DATE 3/5/21 ROUTE SR 2
H.C. RHOADES WEATHER SUNNY COUNTY FULTON
R.C. _____ TEMP. 35° TOWNSHIP GERMAN
DWG BY NIESE PID PAVETRAIN SECTION 23
T 7 N R 5 E

TYPE MONUMENT P.K.NAIL
ON SURFACE - ~~BELOW~~ ON
OFFSET \varnothing PAVEMENT ON LT : RT
9.9' TO LT EDGE PAVEMENT
STATION: 428+88

HORIZ.DATUM: NAD83 2011 GEOID: NAVD88 2012A
GRID: NORTHING: _____ EASTING: _____



RECORD: P.O.T.
STA. 429+34.58
FD P.K.NAIL
5/13/02, DCH
SET P.K./WASHER
7/26/02, DCH
D.N.F.
9/25/20, JFO
D.N.F.
3/5/21, JMR



O.D.O.T. DISTRICT 2 SURVEY OFFICE (USE ONLY)

PERSONNEL

REFERENCE NO. 20

SHEET 7 OF 11

NOTES RHOADES
 H.C. O'DONNELL
 R.C. AUBLE

DATE 9/25/20
 WEATHER SUNNY
 TEMP. 54°

ROUTE SR 2
 COUNTY FULTON
 TOWNSHIP GERMAN
 SECTION 23
 T 7 N R 5 E

DWG BY RHOADES PID PAVETRAIN

TYPE MONUMENT P.K.NAIL

ON SURFACE - ~~BELOW~~ ON

OFFSET ☉ PAVEMENT ON LT : RT
9.9' TO LT EDGE PAVEMENT

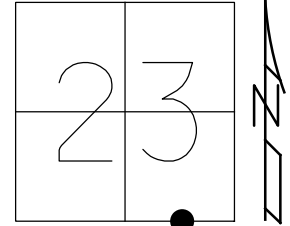
STATION: 428+88

HORZ.DATUM: NAD83 2011

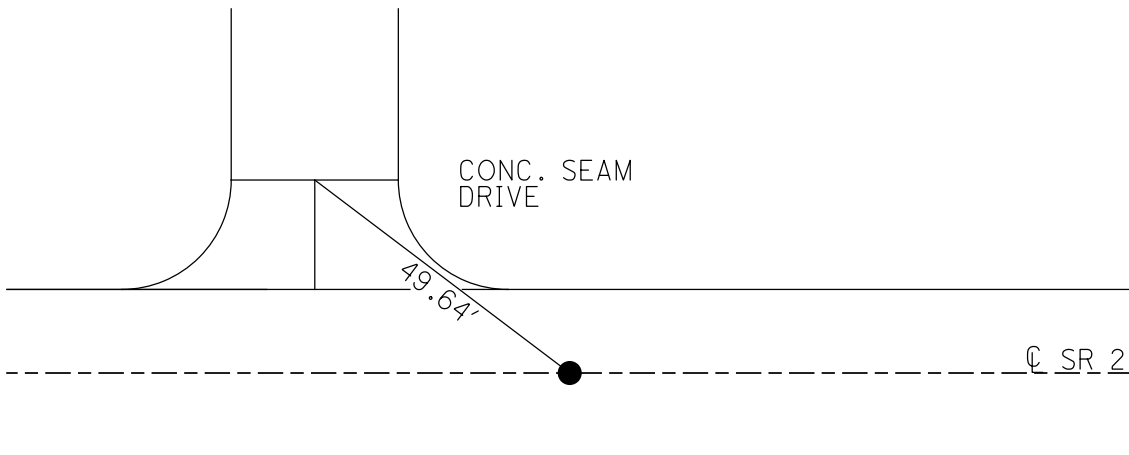
GEOID: NAVD88 2012A

GRID: NORTHING: _____

EASTING: _____



RECORD: P.O.T.
 STA. 429+34.58
 FD P.K.NAIL
 5/13/02, DCH
 SET P.K./WASHER
 7/26/02, DCH
 D.N.F.
 9/25/20, JFO



O.D.O.T. DISTRICT 2 SURVEY OFFICE (USE ONLY)

PERSONNEL _____ REFERENCE NO. 20 SHEET 7 OF 11

NOTES ROUSOS DATE 5/13/02 ROUTE SR 2

H.C. HOMAN WEATHER WINDY COUNTY FULTON

R.C. MICHALAK TEMP. 52° TOWNSHIP GERMAN

SECTION 23

T 7 N R 5 E

TYPE MONUMENT P.K.NAIL

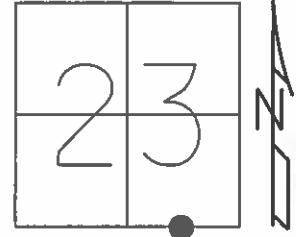
ON SURFACE - ~~BELOW~~ ON

~~LEFT~~ - ☉ PAV'T - ~~RIGHT~~ ON

9.9' TO LT EDGE PAVEMENT

S.L.M. 428+88

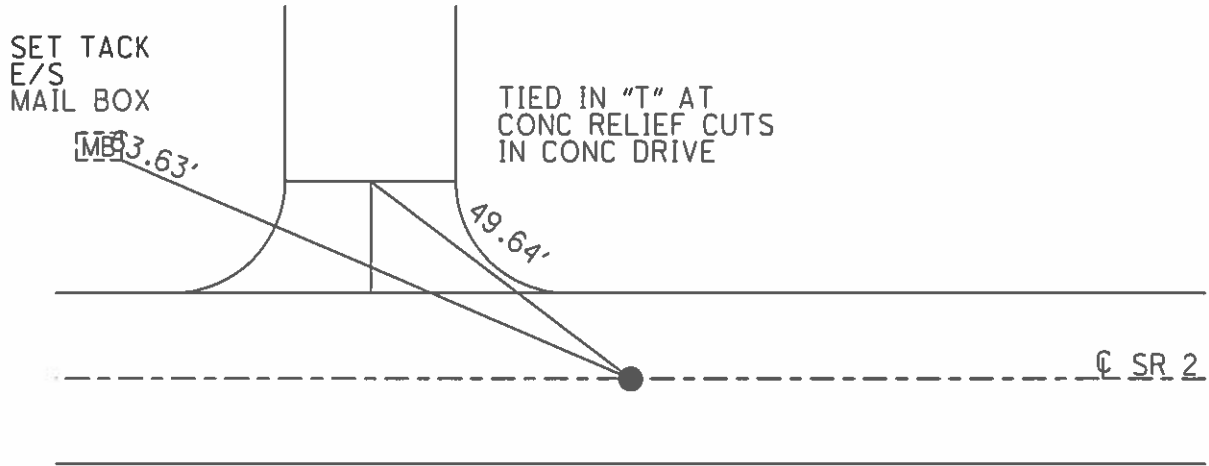
GRID: NORTHING: 681229.896 EASTING: 1453524.326



RECORD:
S SEC 23
1317.08' (MEASURED)
TO CO. RD. 20

SET PK& WASHER
7-26-02 D.C.H.

RECORD:
P.O.T. 429+34.58



O.D.O.T. DISTRICT 2 SURVEY OFFICE

PERSONNEL

REFERENCE NO. 20

SHEET 8 OF 13

NOTES L. Stone

H.C. D. Curtis

DATE 17 Aug. 87

ROUTE SR 2

R.C. J. Houscholder

WEATHER Warm

COUNTY Fulton

TEMP. 80°

TOWNSHIP GERMAN

SECTION 23

T T N R S E

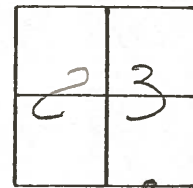
TYPE MONUMENT P.K.

ON SURFACE - ~~BELOW~~ YES

~~LEFT - & PAV'T. - RIGHT~~ YES

9.9 TO L+ EDGE PAVEMENT

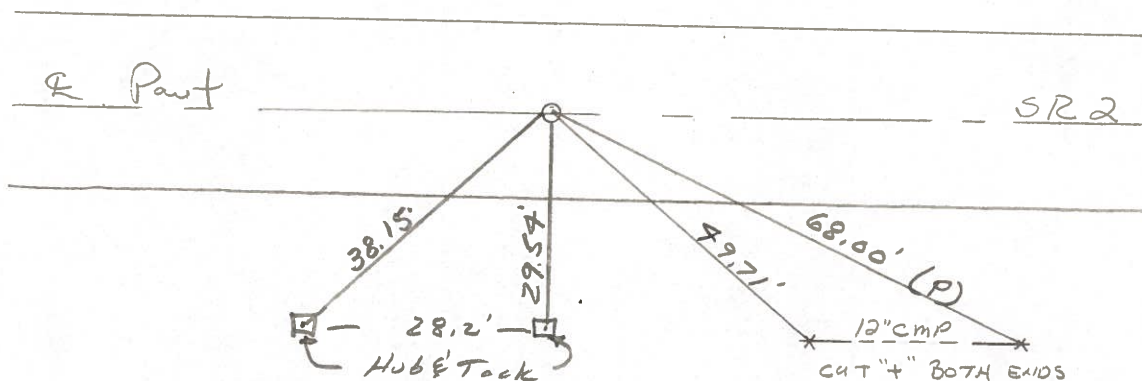
S.L.M. 428+88



MAY 17, 1973
 RECORD: ^{Tomsic}
 5/4 1/4 Sec. 23
 1317.08 (MEASURED)
 TO Co. Rd. 20

MARCH 1972
 RECORD: Beach
 P.O.T.
 429+34.58

SET P.K. NAIL TO SURFACE
4-29-88



PERSONNEL	TITLE	PERSONNEL	TITLE
Tomsic			
Nouser			
Granata			
Vanyo			

COUNTY Fulton DATE MAY 17, 1973
 S. R. 2 WEATHER _____
 SEC. _____ TEMP. _____

DESCRIPTION _____ LEFT _____ CENTER LINE _____ RIGHT _____ JOB NO. _____

