

O.D.O.T. DISTRICT 2 SURVEY OFFICE (USE ONLY)

PERSONNEL

REFERENCE NO. 21 A

SHEET 9 OF 11

NOTES NIESE

DATE 3/5/21

ROUTE SR 2

H.C. RHOADES

WEATHER SUNNY

COUNTY FULTON

R.C. _____

TEMP. 35°

TOWNSHIP GERMAN

DWG BY NIESE

PID PAVETRAIN

SECTION 24

T 7 N R 5 E

TYPE MONUMENT MAG/WASHER

ON SURFACE - ~~BELOW~~ ON

OFFSET C PAVEMENT ON LT : RT

9.9' TO LT EDGE PAVEMENT

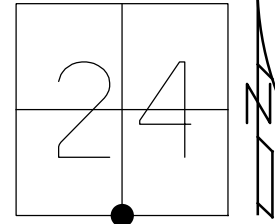
STATION: 468+60

HORZ.DATUM: NAD83 2011

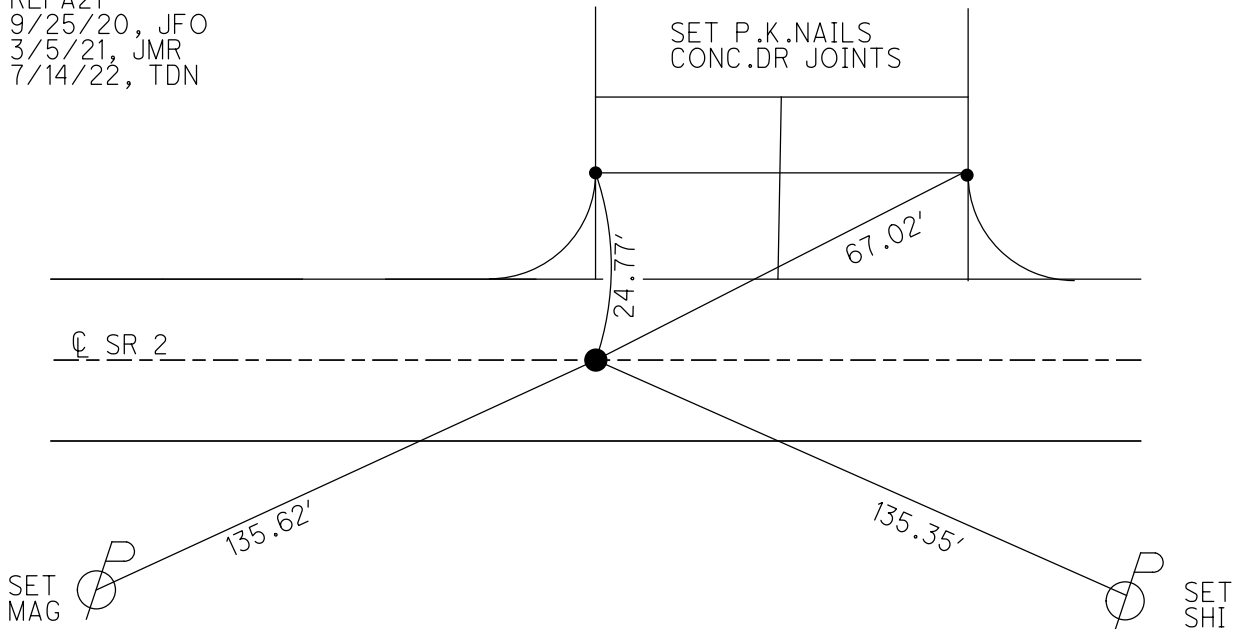
GEOID: NAVD88 2012A

GRID: NORTHING: 688512.897

EASTING: 1492453.404



RECORD:
 FD SM.R.R.SPIKE
 1" DOWN
 5/13/02, DCH
 SET MAG/WASHER
 11/27/02, DCH
 FD MAG/WASHER
 REFA21
 9/25/20, JFO
 3/5/21, JMR
 7/14/22, TDN



O.D.O.T. DISTRICT 2 SURVEY OFFICE (USE ONLY)

PERSONNEL

REFERENCE NO. 21 A

SHEET 9 OF 11

NOTES NIESE DATE 3/5/21

H.C. RHOADES WEATHER SUNNY

R.C. _____ TEMP. 35°

ROUTE SR 2

COUNTY FULTON

TOWNSHIP GERMAN

SECTION 24

DWG BY NIESE PID PAVETRAIN

T 7 N R 5 E

TYPE MONUMENT MAG/WASHER

ON SURFACE - ~~BELOW~~ ON

OFFSET ☉ PAVEMENT ON LT : RT

9.9' TO LT EDGE PAVEMENT

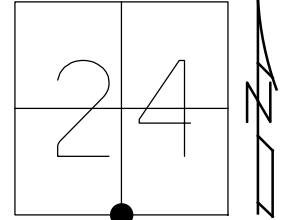
STATION: 468+60

HORIZ.DATUM: NAD83 2011

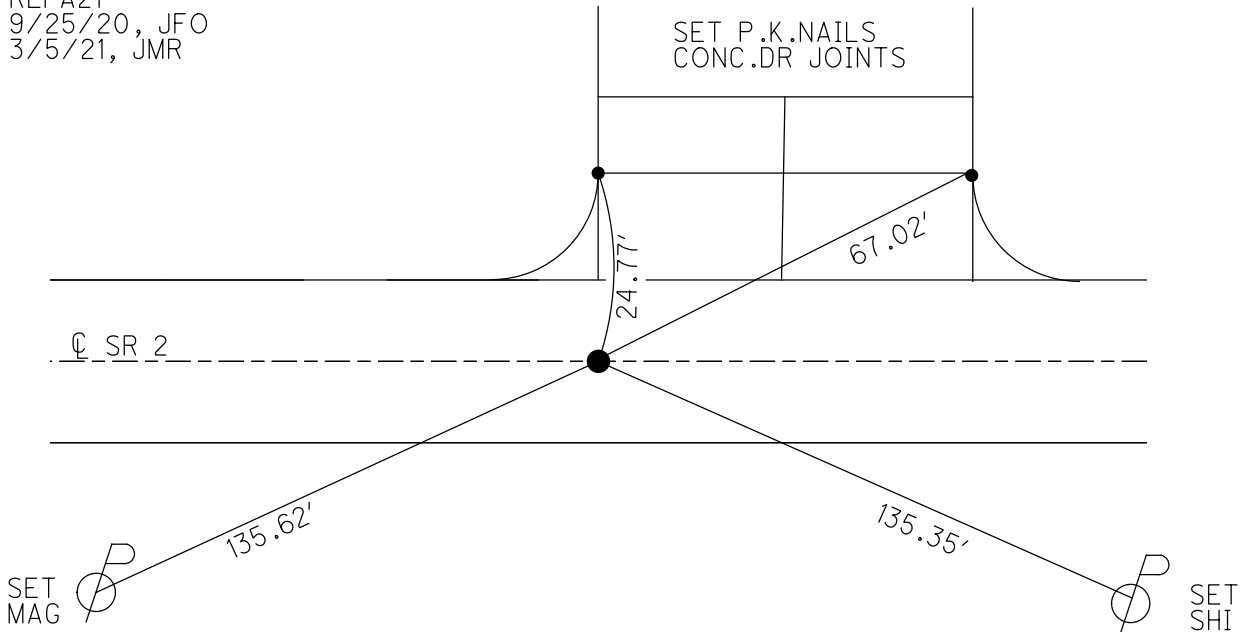
GEOID: NAVD88 2012A

GRID: NORTHING: 688512.897

EASTING: 1492453.404



RECORD:
 FD SM.R.R.SPIKE
 1" DOWN
 5/13/02, DCH
 SET MAG/WASHER
 11/27/02, DCH
 FD MAG/WASHER
 REFA21
 9/25/20, JFO
 3/5/21, JMR



O.D.O.T. DISTRICT 2 SURVEY OFFICE (USE ONLY)

PERSONNEL

REFERENCE NO. 21 A

SHEET 9 OF 11

NOTES RHOADES DATE 9/25/20

ROUTE SR 2

H.C. O'DONNELL WEATHER SUNNY

COUNTY FULTON

R.C. AUBLE TEMP. 54°

TOWNSHIP GERMAN

SECTION 24

DWG BY RHOADES PID PAVETRAIN

T 7 N R 5 E

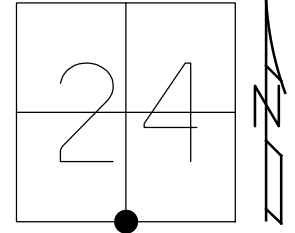
TYPE MONUMENT MAG/WASHER

ON SURFACE - ~~BELOW~~ ON

OFFSET CL PAVEMENT ON LT : RT

9.9' TO LT EDGE PAVEMENT

STATION: 468+60



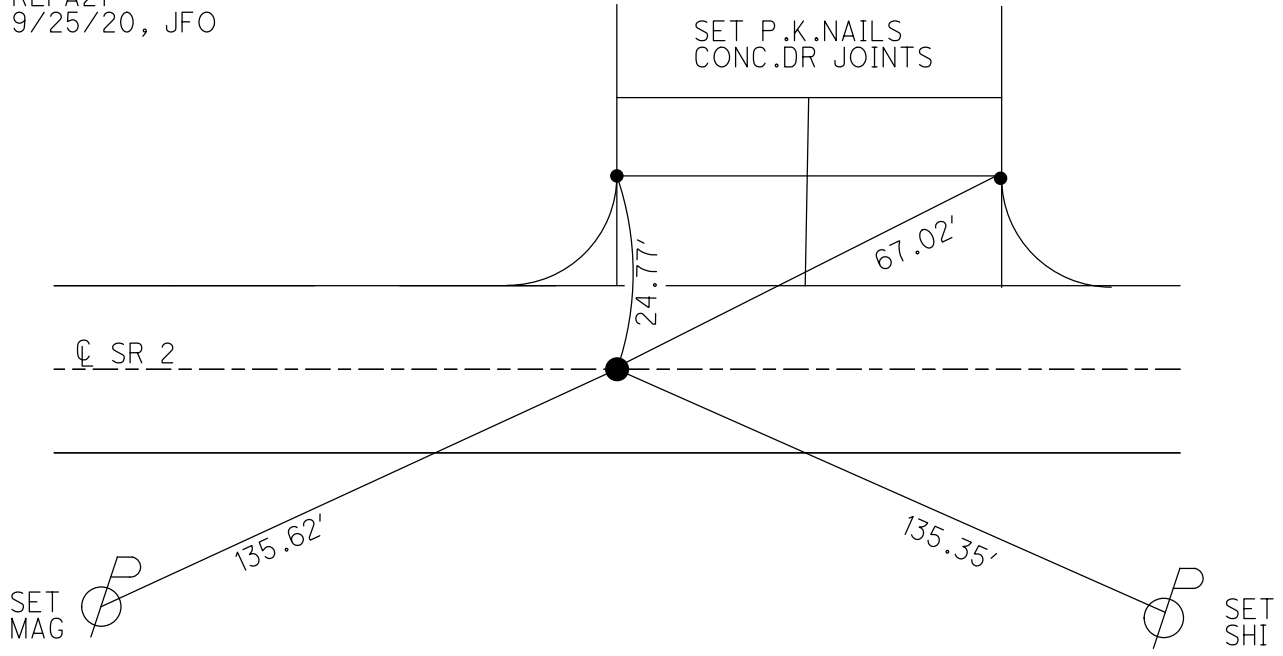
HORIZ.DATUM: NAD83 2011

GEOID: NAVD88 2012A

GRID: NORTHING: 688512.897

EASTING: 1492453.404

RECORD:
 FD SM.R.R.SPIKE
 1" DOWN
 5/13/02, DCH
 SET MAG/WASHER
 11/27/02, DCH
 FD MAG/WASHER
 REFA21
 9/25/20, JFO



O.D.O.T. DISTRICT 2 SURVEY OFFICE (USE ONLY)

PERSONNEL _____ REFERENCE NO. 21 A SHEET 9 OF 11

NOTES ROUSOS DATE 5/13/02 ROUTE SR 2

H.C. HOMAN WEATHER WINDY COUNTY FULTON

R.C. MICHALAK TEMP. 52° TOWNSHIP GERMAN

SECTION 24

T 7 N R 5 E

TYPE MONUMENT SM.R.R.SPIKE

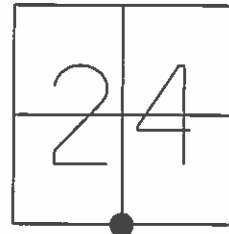
~~ON SURFACE~~ - BELOW 1"

~~LEFT -~~ ☉ PAV'T - ~~RIGHT~~ ON

9.9' TOLT EDGE PAVEMENT

S.L.M. 468+60

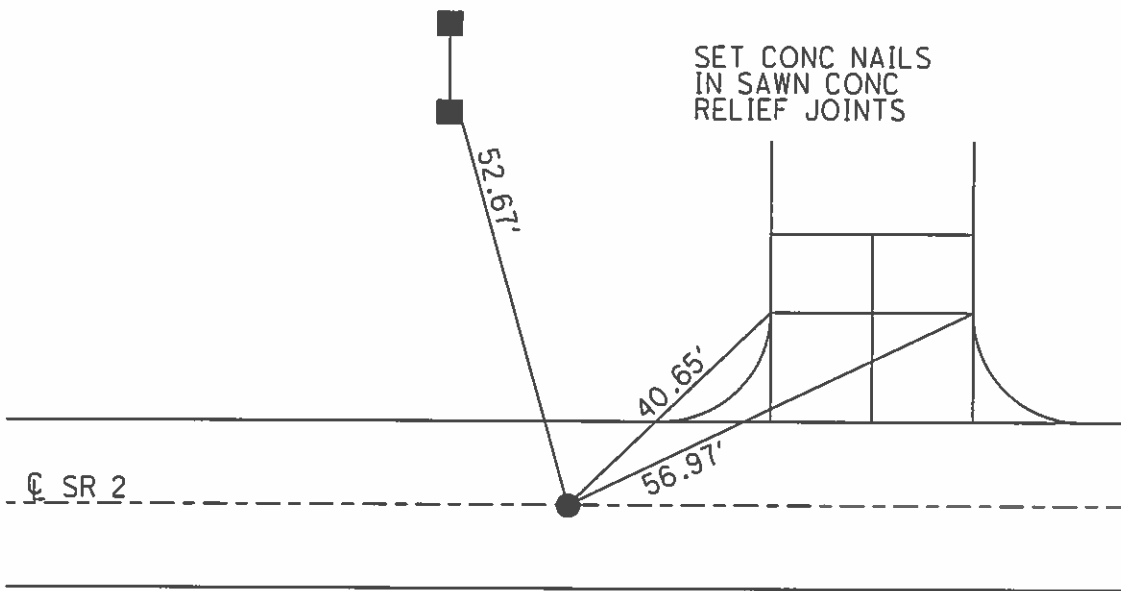
GRID: NORTHING: 681229.896 EASTING: 1453524.326



SET MAG NAIL
& WASHER
11-27-02
DCH

SET TACK
S LEG E/S

SET CONC NAILS
IN SAWN CONC
RELIEF JOINTS



O.D.O.T. DISTRICT 2 SURVEY OFFICE

PERSONNEL

REFERENCE NO. 21-A

SHEET 10 OF 13

NOTES 1. Stone

H.C. D. Curtis

R.C. J. Hoosholder

DATE 17 Aug. 87

WEATHER Warm

TEMP. 80°

ROUTE SR 2

COUNTY Fulton

TOWNSHIP GERMAN

SECTION 24

T 7 N R 5 E

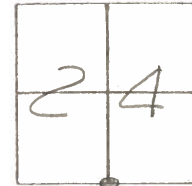
TYPE MONUMENT SMALL R.R. SPIKE

ON SURFACE - ~~BELOW~~ yes

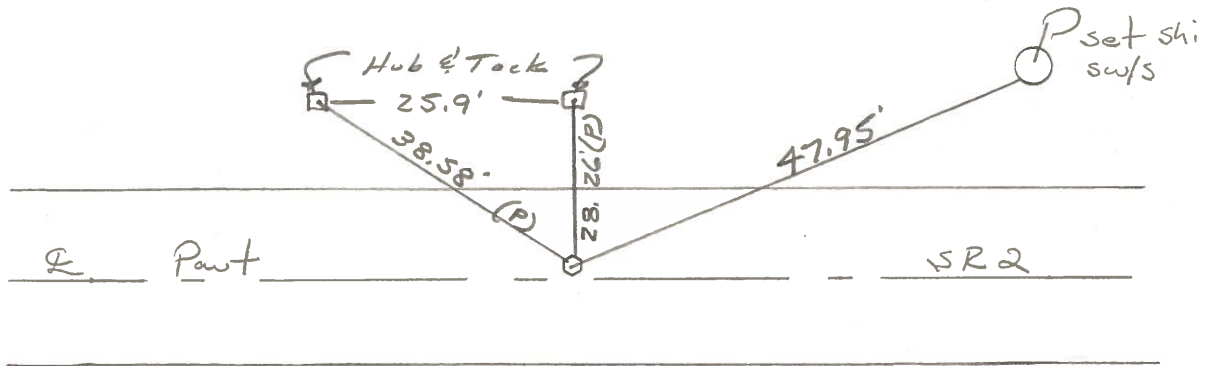
LEFT-~~E~~ PAV'T. - ~~RIGHT~~ 0.6

9.4 TO LT. EDGE PAVEMENT

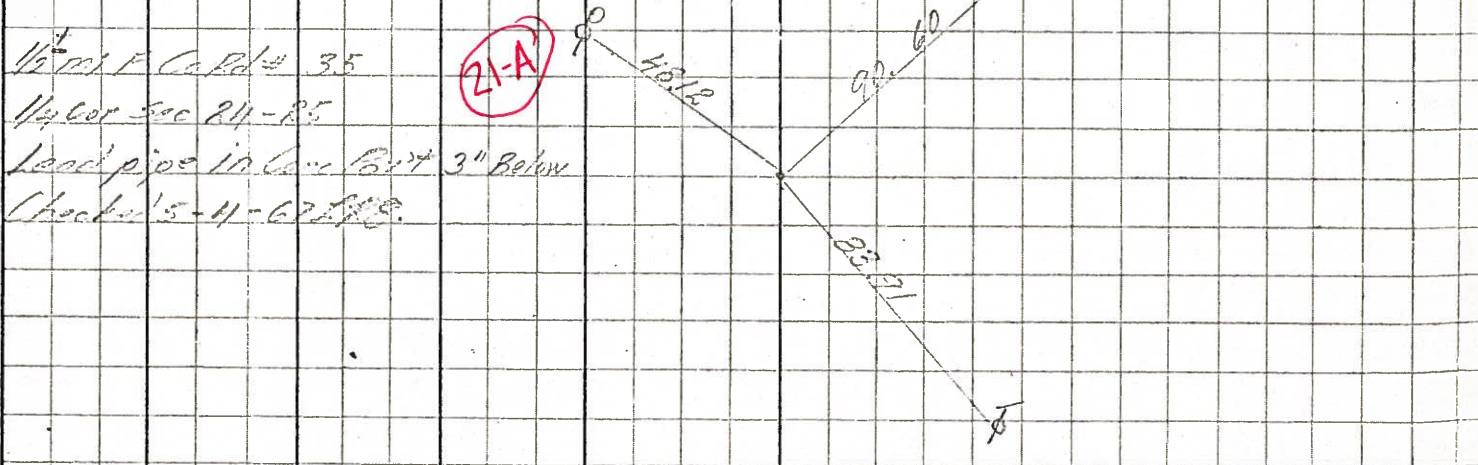
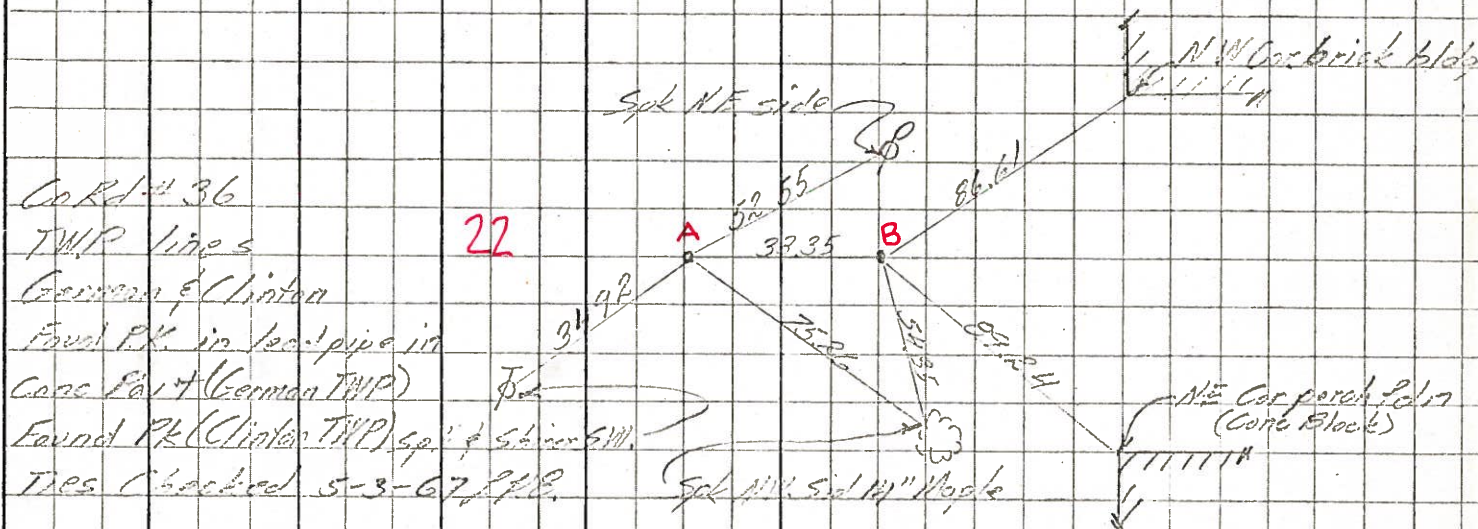
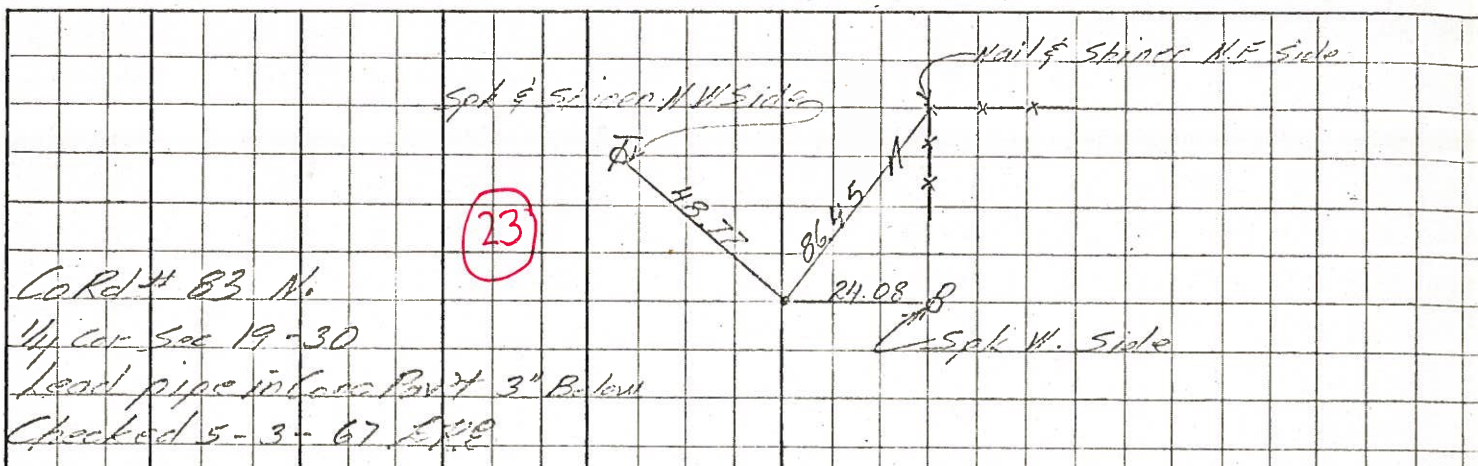
S.L.M. 468 + 60



FD. SMALL R.R. SPK. 3" DEEP
4-29-88



PERSONNEL TITLE PERSONNEL TITLE COUNTY Fu DATE 5-3-67
 Wisco WEATHER Fair
 Erikson Recorder SEC. SR#66 to Wausau TEMP. 50°
 DESCRIPTION Witness to Control Points LEFT CENTER LINE RIGHT JOB NO.



PERSONNEL TITLE PERSONNEL TITLE

COUNTY Fulton

DATE 1-22-58

S. R. #2

WEATHER 12-12-58
OK. 10-26-61 W. Knight

SEC. _____ TEMP. _____

DESCRIPTION LEFT CENTER LINE RIGHT JOB NO.

