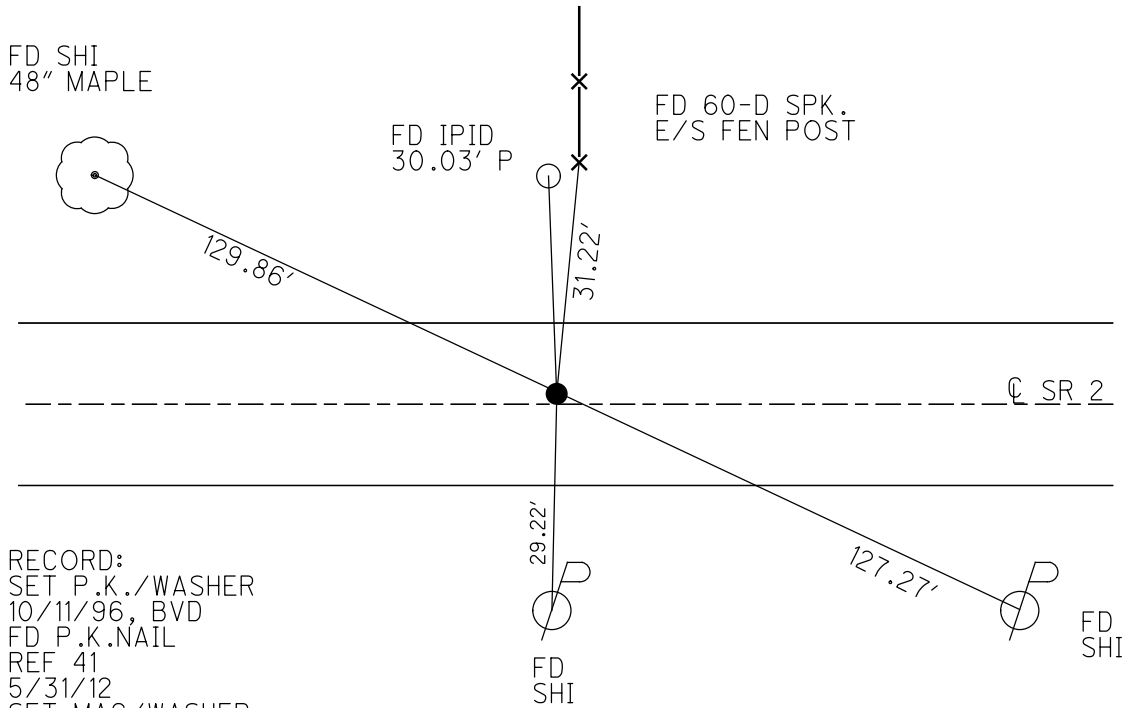
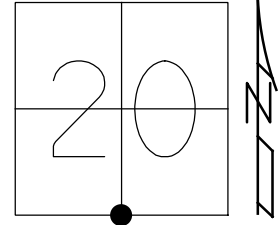


O.D.O.T. DISTRICT 2 SURVEY OFFICE (USE ONLY)

PERSONNEL _____ REFERENCE NO. 25 SHEET 4 OF 16
 NOTES HOMAN DATE 5/31/12 ROUTE SR 2
 H.C. ROUSOS WEATHER CLOUDY COUNTY FULTON
 R.C. HOMAN TEMP. 70° TOWNSHIP CLINTON
 _____ SECTION 20
 _____ T 7 N R 6 E

TYPE MONUMENT P.K.NAIL
 ON SURFACE - ~~BELOW~~ ON
 LEFT - CL PAV'T - ~~RIGHT~~ 0.6'
9.7' TO LT EDGE PAVEMENT
 S.L.M. 572+41.51

Grid: Northing: 688414.432 Easting: 1502722.615

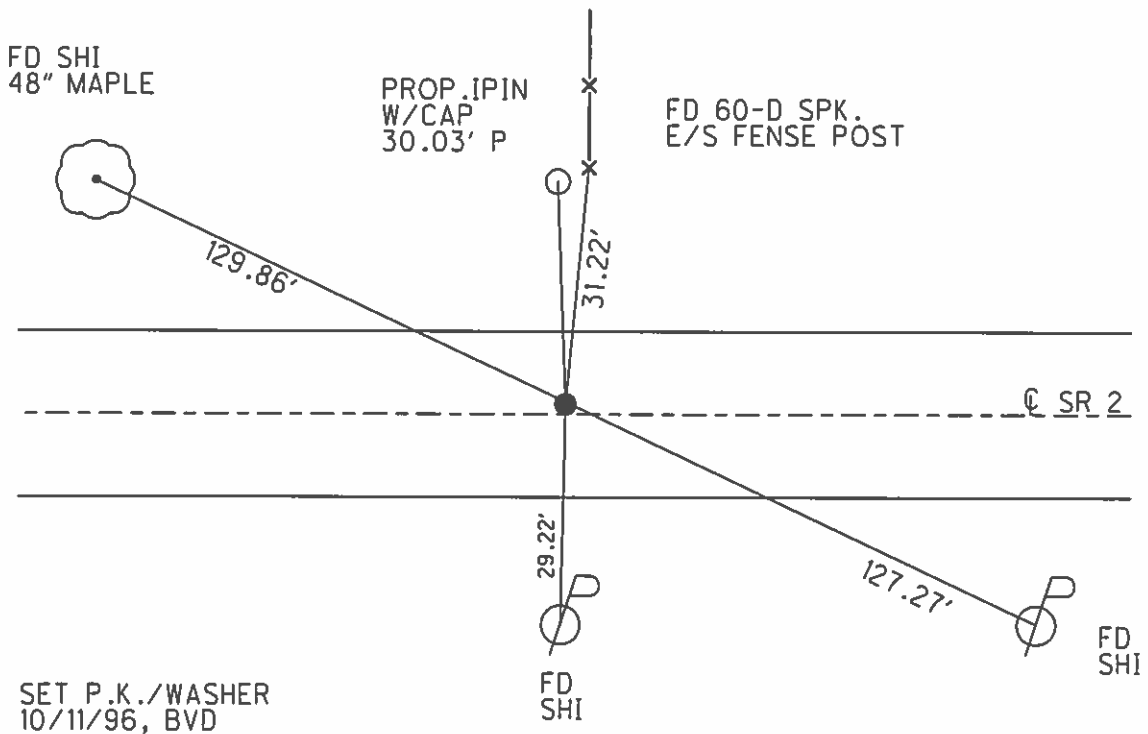
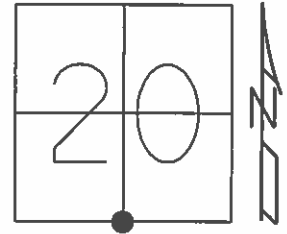


RECORD:
 SET P.K./WASHER
 10/11/96, BVD
 FD P.K.NAIL
 REF 41
 5/31/12
 SET MAG/WASHER
 NEWREF41
 9/20/12, DCH
 FD MAG SHANK
 SET MAG/WASHER
 REF25
 6/15/21, TDN
 FD MAG/WASHER
 9/15/21, JFO

O.D.O.T. DISTRICT 2 SURVEY OFFICE (USE ONLY)

PERSONNEL _____ REFERENCE NO. 25 SHEET 4 OF 15
 NOTES HOMAN DATE 5/31/12 ROUTE SR 2
 H.C. ROUSOS WEATHER CLOUDY COUNTY FULTON
 R.C. HOMAN TEMP. 70° TOWNSHIP CLINTON
 _____ SECTION 20
 _____ T 7 N R 6 E

TYPE MONUMENT P.K.NAIL
 ON SURFACE - ~~BELOW~~ ON
 LEFT - ☉ PAV'T - ~~RIGHT~~ 0.6'
9.7' TO LT EDGE PAVEMENT
 S.L.M. 572+41.51
 Grid: Northing: 688414.432 Easting: 1502722.615



SET P.K./WASHER
 10/11/96, BVD
 FD PK
 GPS, REF 41
 5/31/12
 SET MAG/WASHER
 GPS, NEWREF 41
 9/20/12, DCH

O.D.O.T. DISTRICT 2 SURVEY OFFICE

PERSONNEL

REFERENCE NO. 25

SHEET 3 OF 14

NOTES BARNHISEL

H.C. CORDES

DATE 9-24-96

ROUTE SR. 2

R.C. BARNHISEL

WEATHER CLOUDY

COUNTY FULTON

TEMP. +65° F

TOWNSHIP CLINTON

SECTION 20

T. 7 N. 6 E.

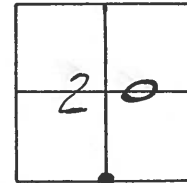
TYPE MONUMENT PK NAIL

ON SURFACE - ~~BELOW~~ YES

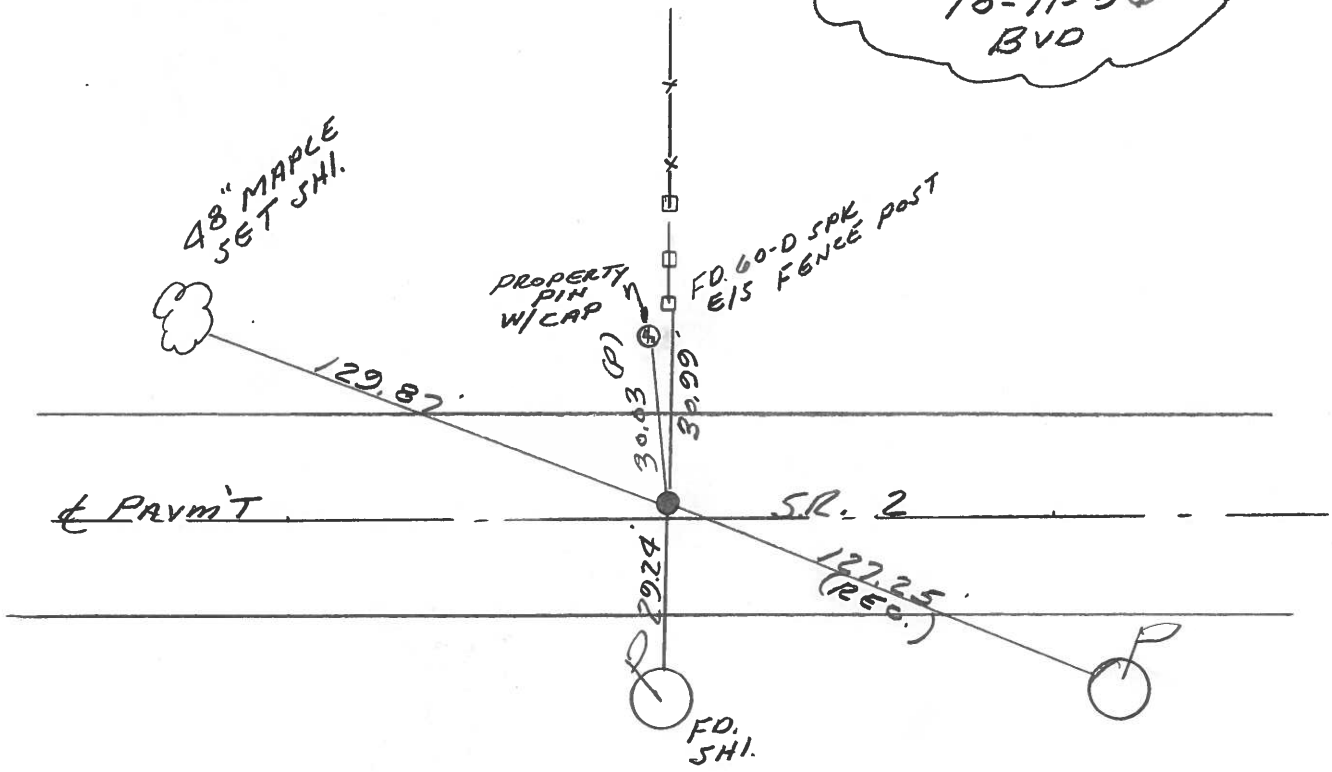
LEFT-0 PAV'T. - RIGHT 0.6

9.7 TO L.T. EDGE PAVEMENT

S.L.M. 571+44



SET PK/WASHER
10-11-96
BVD



O.D.O.T. DISTRICT 2 SURVEY OFFICE

PERSONNEL _____

REFERENCE NO. 25

SHEET 3 OF _____

NOTES 1. Stone

H.C. D. Curtis

DATE 25 April 89

ROUTE SR#2

R.G. J. Houssholder

WEATHER Cloudy

COUNTY Fulton

TEMP. 61°

TOWNSHIP Clinton

SECTION 20

T _____ R _____

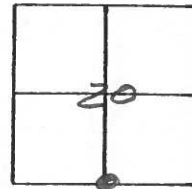
TYPE MONUMENT PK Nail

ON SURFACE - BELOW Surface

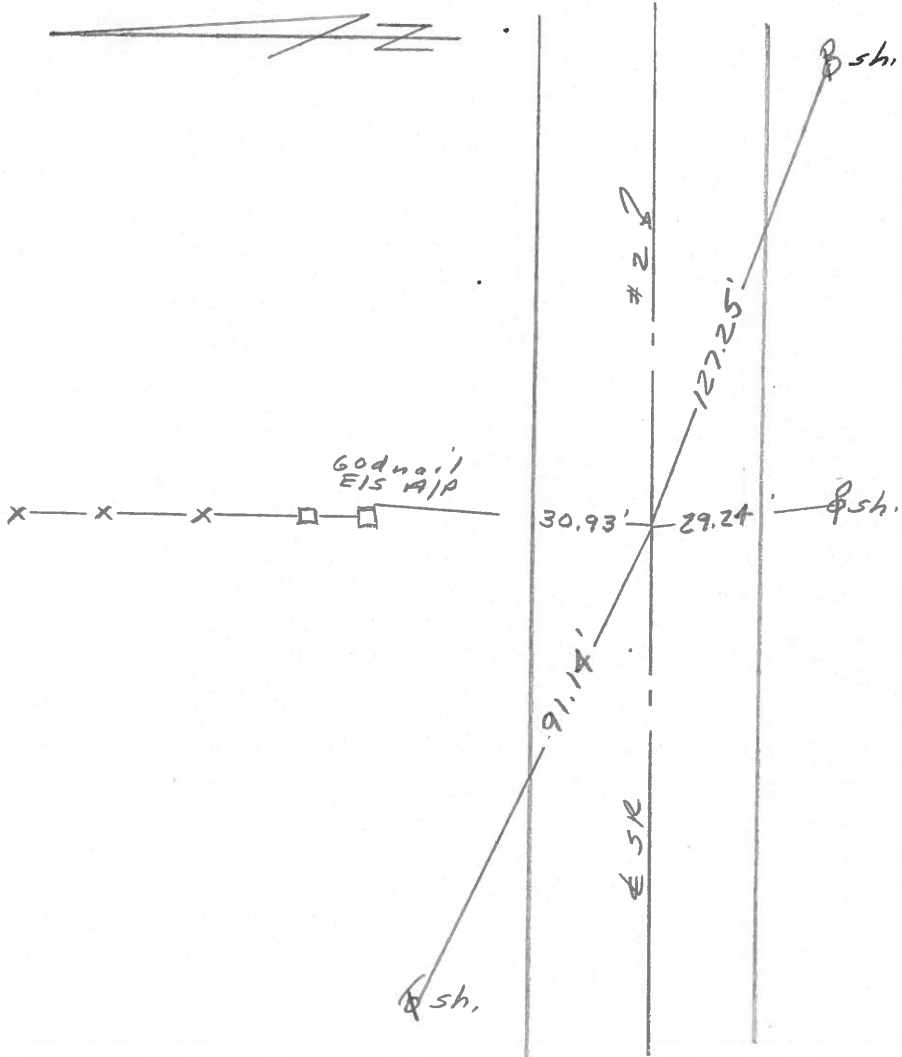
LEFT- & PAV'T. - RIGHT _____

_____ TO _____ EDGE PAVEMENT

S.L.M. 573+47



OK 5/30/89 IRS



PERSONNEL TITLE PERSONNEL TITLE

COUNTY Fu

DATE 5-3-67

Passepoll

Wise

Erikson Recorder

S. R. #2

WEATHER Fair

SEC. SR # 66 to Hanson

TEMP 50°

DESCRIPTION

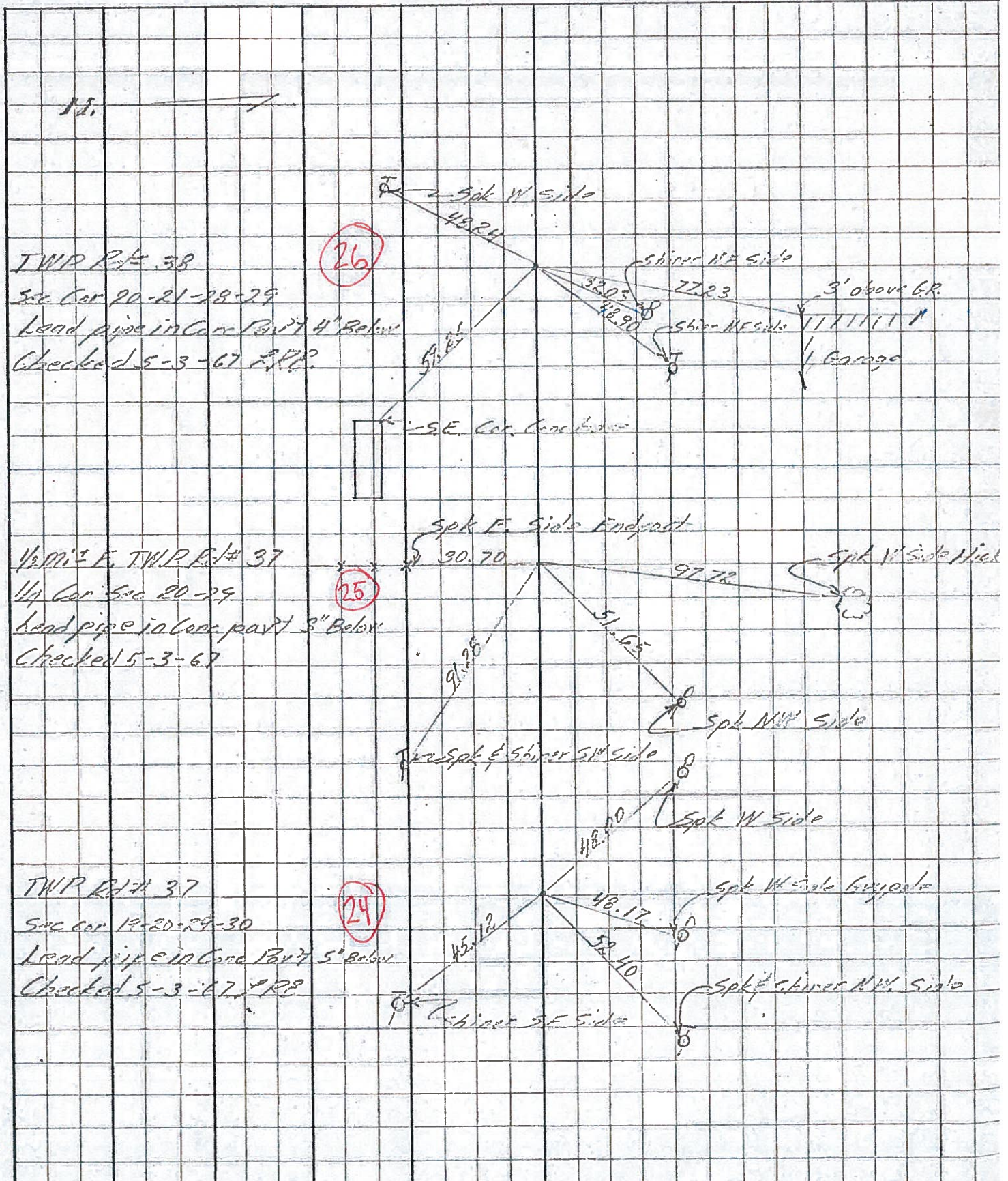
Witness to Control Points

JOB NO.

LEFT

CENTER LINE

RIGHT



PERSONNEL TITLE PERSONNEL TITLE

COUNTY Fulton

DATE OK-1-23-58

S. R. # 7

WEATHER 12-12-58
OK, 10-26-58

SEC.

TEMP.

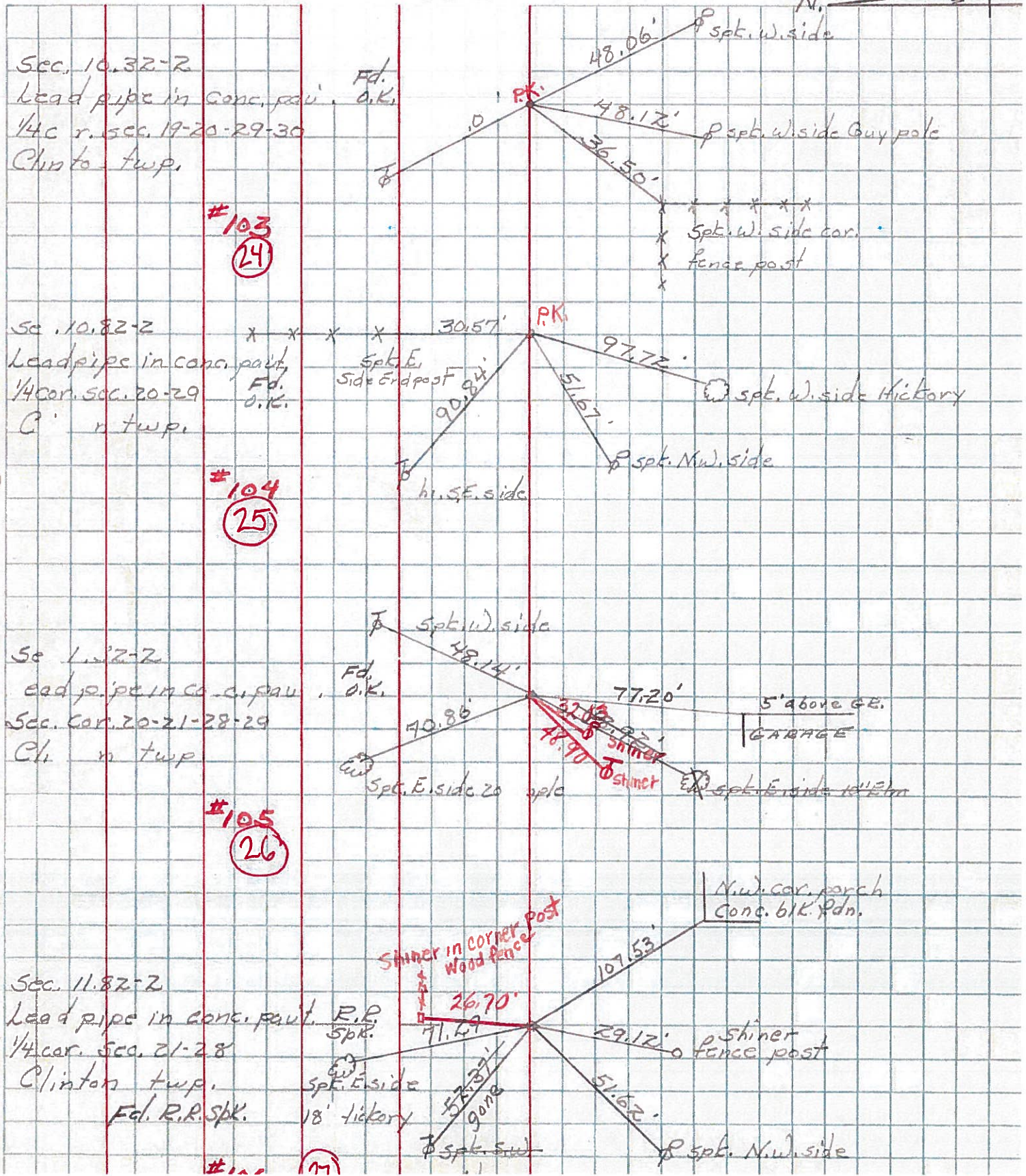
DESCRIPTION

LEFT

CENTER LINE

RIGHT

JOB NO.



Sec. 10.32-2
Lead pipe in conc. pavt. Fd. O.K.
1/4 cor. sec. 19-20-29-30
Clinton twp.

#103
(24)

Sec. 10.82-2
Lead pipe in conc. pavt. Fd. O.K.
1/4 cor. sec. 20-29
Clinton twp.

#104
(25)

Sec. 1.22-2
Lead pipe in conc. pavt. Fd. O.K.
Sec. Cor. 20-21-28-29
Clinton twp.

#105
(26)

Sec. 11.82-2
Lead pipe in conc. pavt. Fd. R.R. Spt.
1/4 cor. Sec. 21-28
Clinton twp.
Fol. R.R. Spt.

#106
(27)

Shiner in corner post
Wood fence

5' above G.E.
GARAGE

N.W. cor. porch
Conc. blk. Pdn.

5' R.R. going

Spt. S.W. side