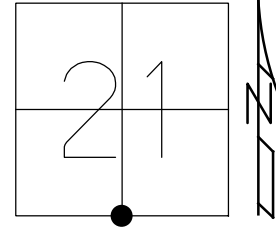


O.D.O.T. DISTRICT 2 SURVEY OFFICE (USE ONLY)

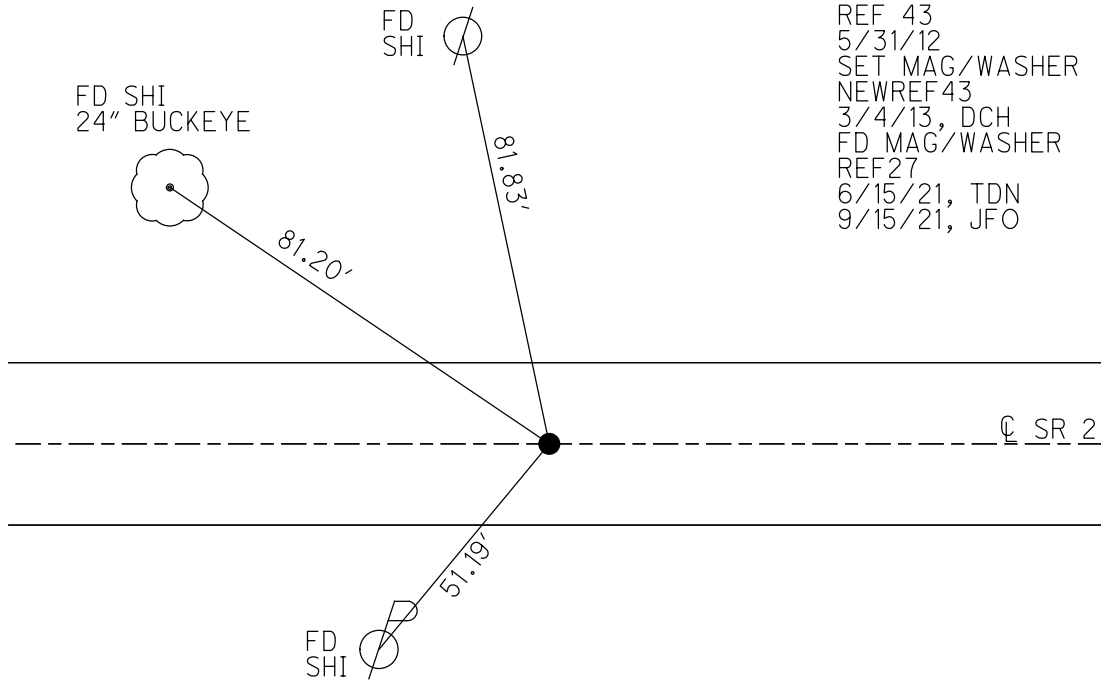
PERSONNEL _____ REFERENCE NO. 27 SHEET 6 OF 16
 NOTES HOMAN DATE 6/8/12 ROUTE SR 2
 H.C. ROUSOS WEATHER SUNNY COUNTY FULTON
 R.C. HOMAN TEMP. 80° TOWNSHIP CLINTON
 _____ SECTION 21
 _____ T 7 N R 6 E

TYPE MONUMENT P.K.NAIL
 ON SURFACE - ~~BELOW~~ ON
 LEFT - ☉ PAV'T - RIGHT ON
10.1' TO LT EDGE PAVEMENT
 S.L.M. 625+01.16



Grid: Northing: 688379.370 Easting: 1507982.149

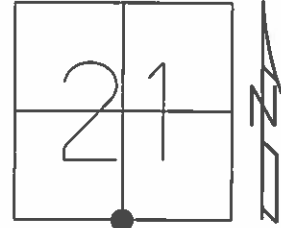
RECORD:
 SET P.K./WASHER
 10/10/96, BVD
 FD PK
 REF 43
 5/31/12
 SET MAG/WASHER
 NEWREF 43
 3/4/13, DCH
 FD MAG/WASHER
 REF 27
 6/15/21, TDN
 9/15/21, JFO



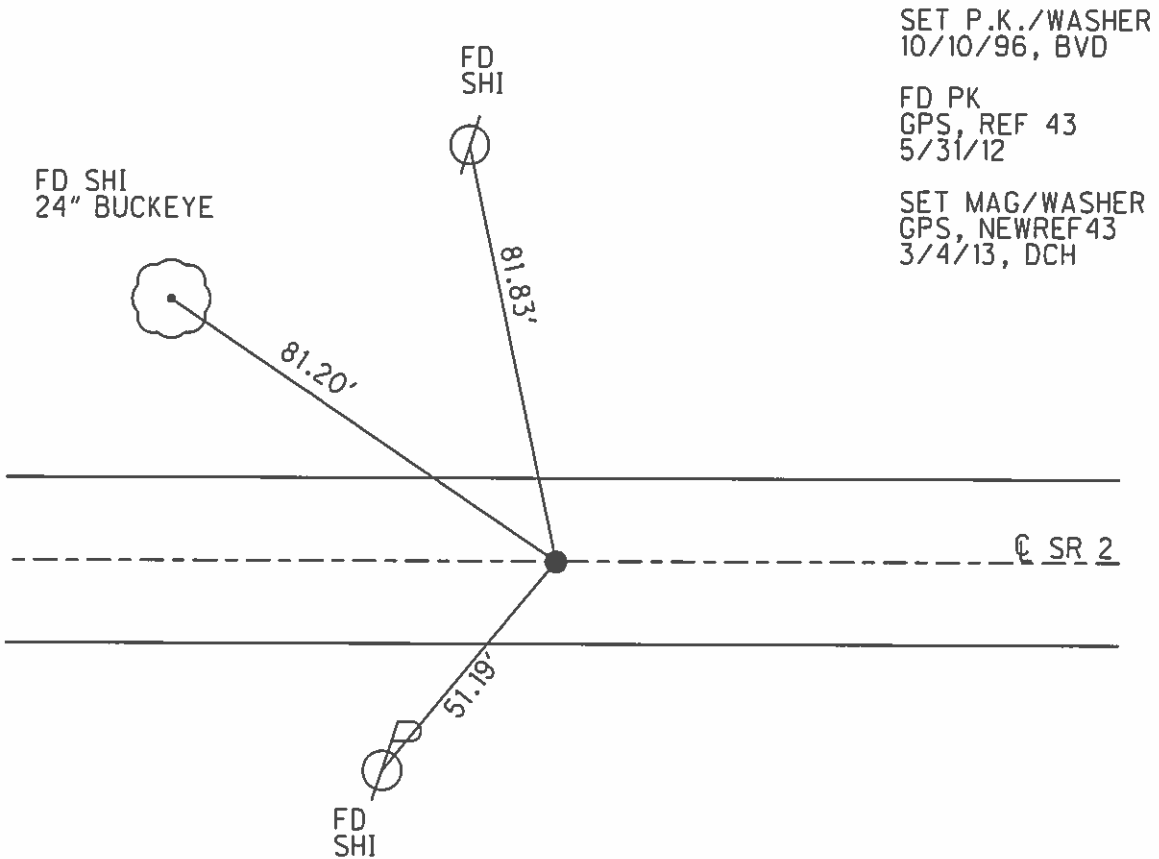
O.D.O.T. DISTRICT 2 SURVEY OFFICE (USE ONLY)

PERSONNEL _____ REFERENCE NO. 27 SHEET 6 OF 15
 NOTES HOMAN DATE 6/8/12 ROUTE SR 2
 H.C. ROUSOS WEATHER SUNNY COUNTY FULTON
 R.C. HOMAN TEMP. 80° TOWNSHIP CLINTON
 _____ SECTION 21
 _____ T 7 N R 6 E

TYPE MONUMENT P.K.NAIL
 ON SURFACE - ~~BELOW~~ ON _____
 LEFT - ☉ PAV'T - RIGHT ON _____
10.1' TO LT EDGE PAVEMENT
 S.L.M. 625+01.16



Grid: Northing: 688379.370 Easting: 1507982.149



O.D.O.T. DISTRICT 2 SURVEY OFFICE

PERSONNEL

REFERENCE NO. 27

SHEET 5 OF 14

NOTES BARNHISEL

H.C. CORDES

R.C. BARNHISEL

DATE 9-24-96

WEATHER SUNNY

TEMP. + 70° F

ROUTE SR. 2

COUNTY FULTON

TOWNSHIP CLINTON

SECTION 21

T. 2 N R. 6 E

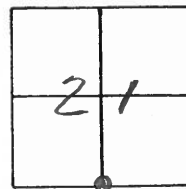
TYPE MONUMENT PK NAIL

ON SURFACE - BELOW YES

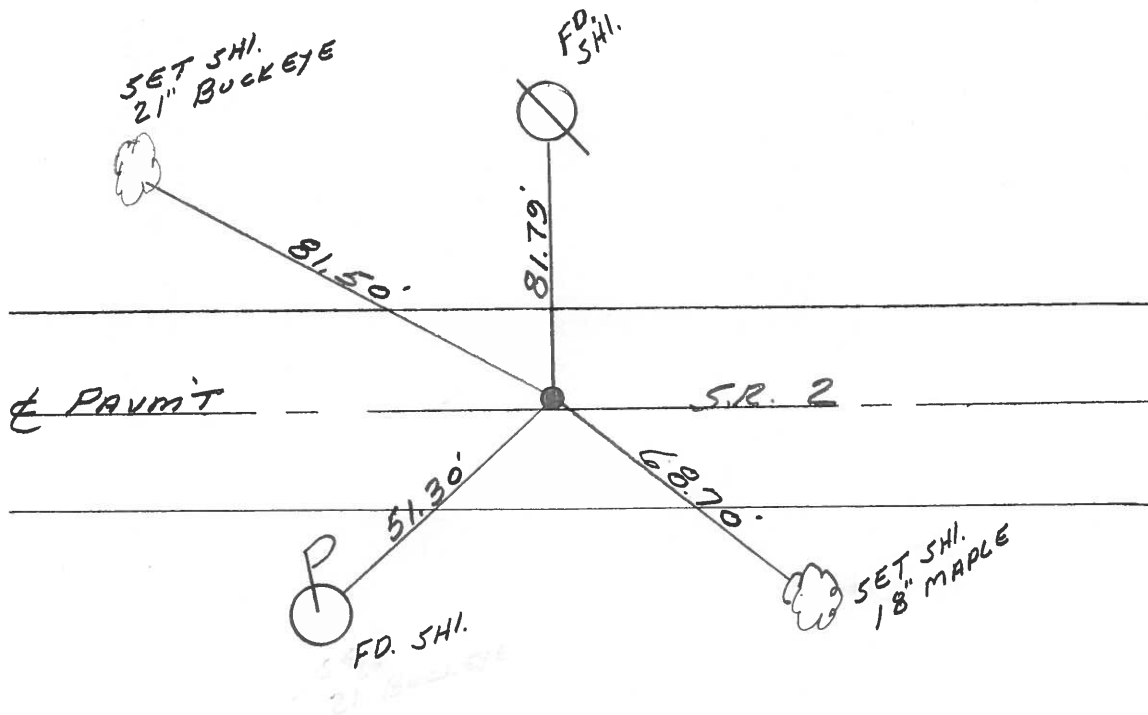
LEFT- & PAV'T. - RIGHT 0.3

10.1 TO LT. EDGE PAVEMENT

S.L.M. 624+11



SET PK/WASHER
10-10-96
BVD



O.D.O.T. DISTRICT 2 SURVEY OFFICE

PERSONNEL

REFERENCE NO. 27

SHEET 5 OF

NOTES 1. Stone

H.C. D. Curtis

DATE 25 April 89

ROUTE SR#2

R.C. J. Householder

WEATHER Cloudy

COUNTY Fulton

TEMP. 62°

TOWNSHIP Clinton

SECTION 21

T R

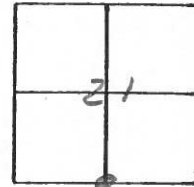
TYPE MONUMENT PK Nail

ON SURFACE - BELOW Surface

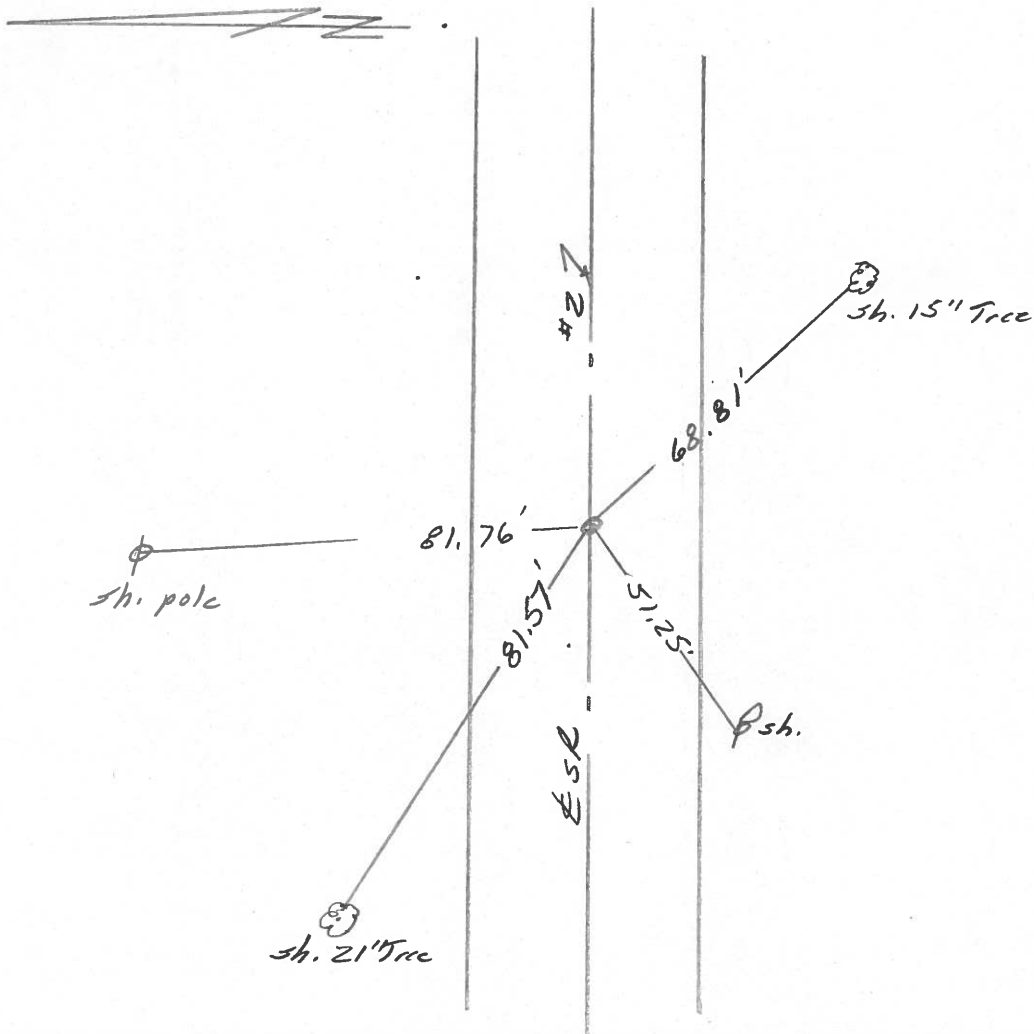
LEFT- & PAV'T. - RIGHT

TO EDGE PAVEMENT

S.L.M. 626 + 08

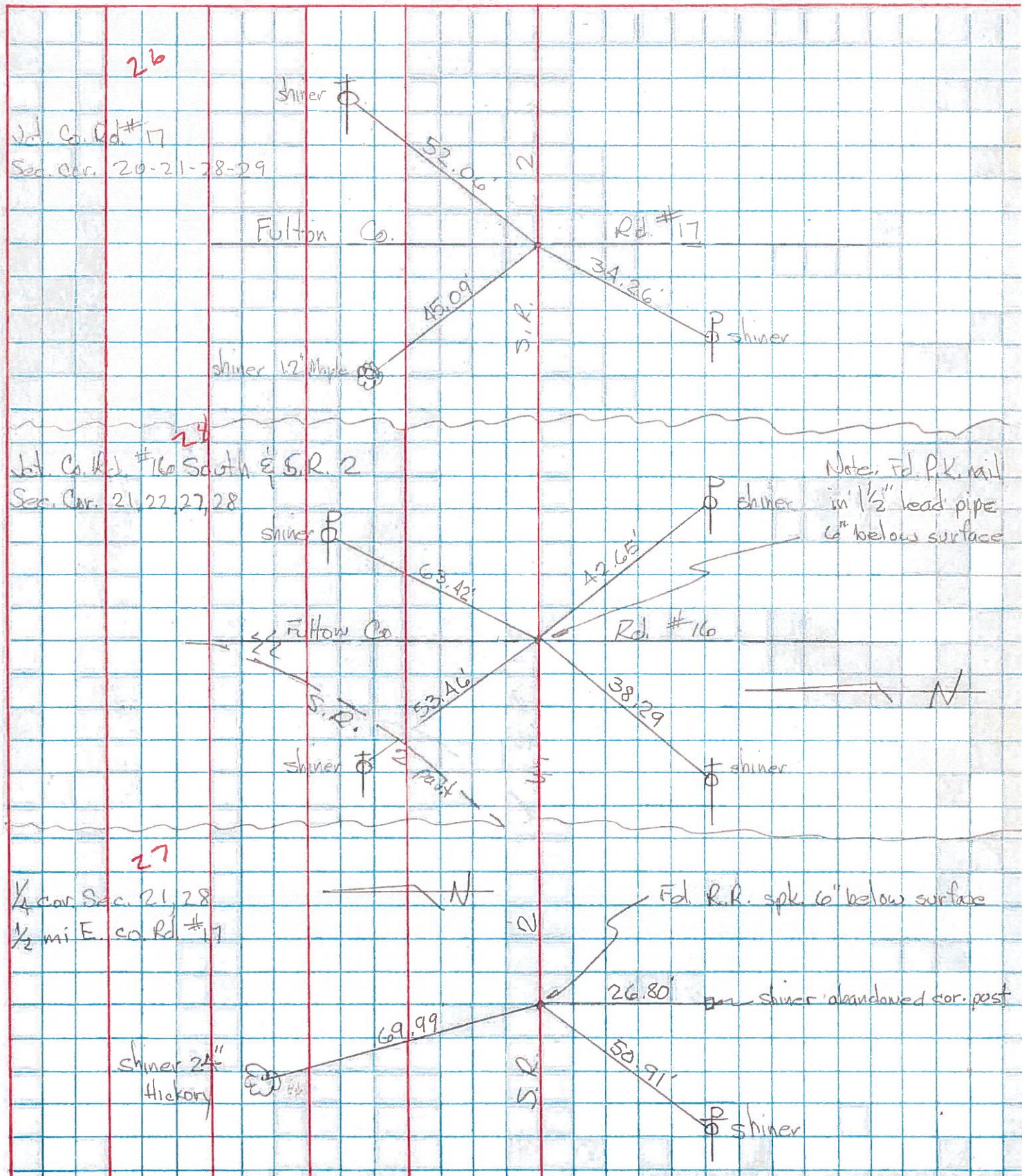


OK 5/30/89 IRS



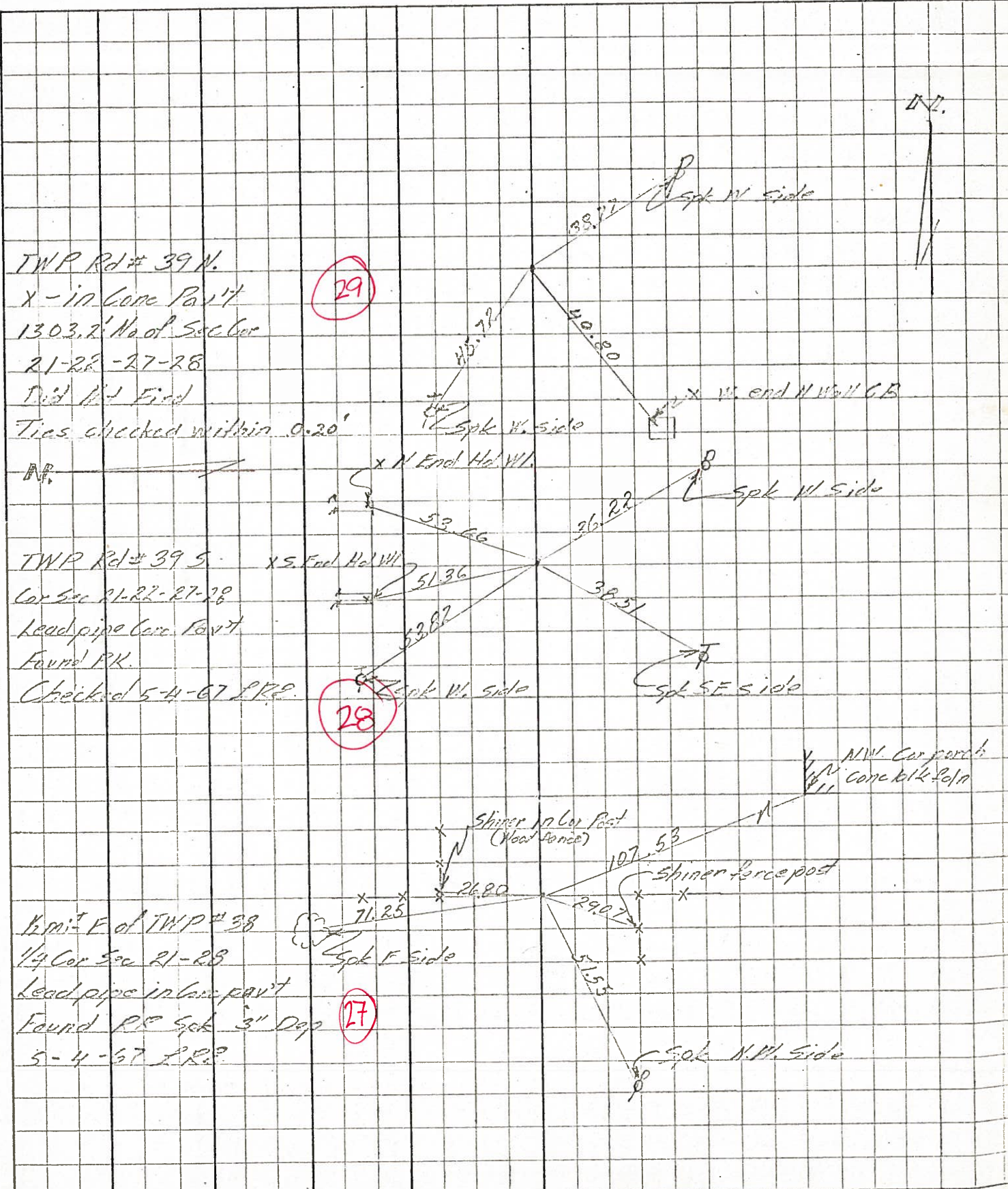
PERSONNEL TITLE PERSONNEL TITLE COUNTY Fulton DATE MAY 29, 1973
 Tamsic Granata S. R. 2 WEATHER _____
 SEC. _____ TEMP. _____

DESCRIPTION LEFT CENTER LINE RIGHT JOB NO.



PERSONNEL TITLE PERSONNEL TITLE COUNTY Fu DATE 5-4-67
Passafium _____
Wise _____ S. R. # R WEATHER Cloudy
Erikson Recorder _____
 SEC. SR# 66 to Wauveer TEMP. 50°

DESCRIPTION Witness to Control Points JOB NO. _____
 LEFT CENTER LINE RIGHT



PERSONNEL TITLE PERSONNEL TITLE

COUNTY Fulton

DATE OK-1-23-58

S. R. # 7

WEATHER 12-12-58
OK. 10-26-61

SEC.

TEMP.

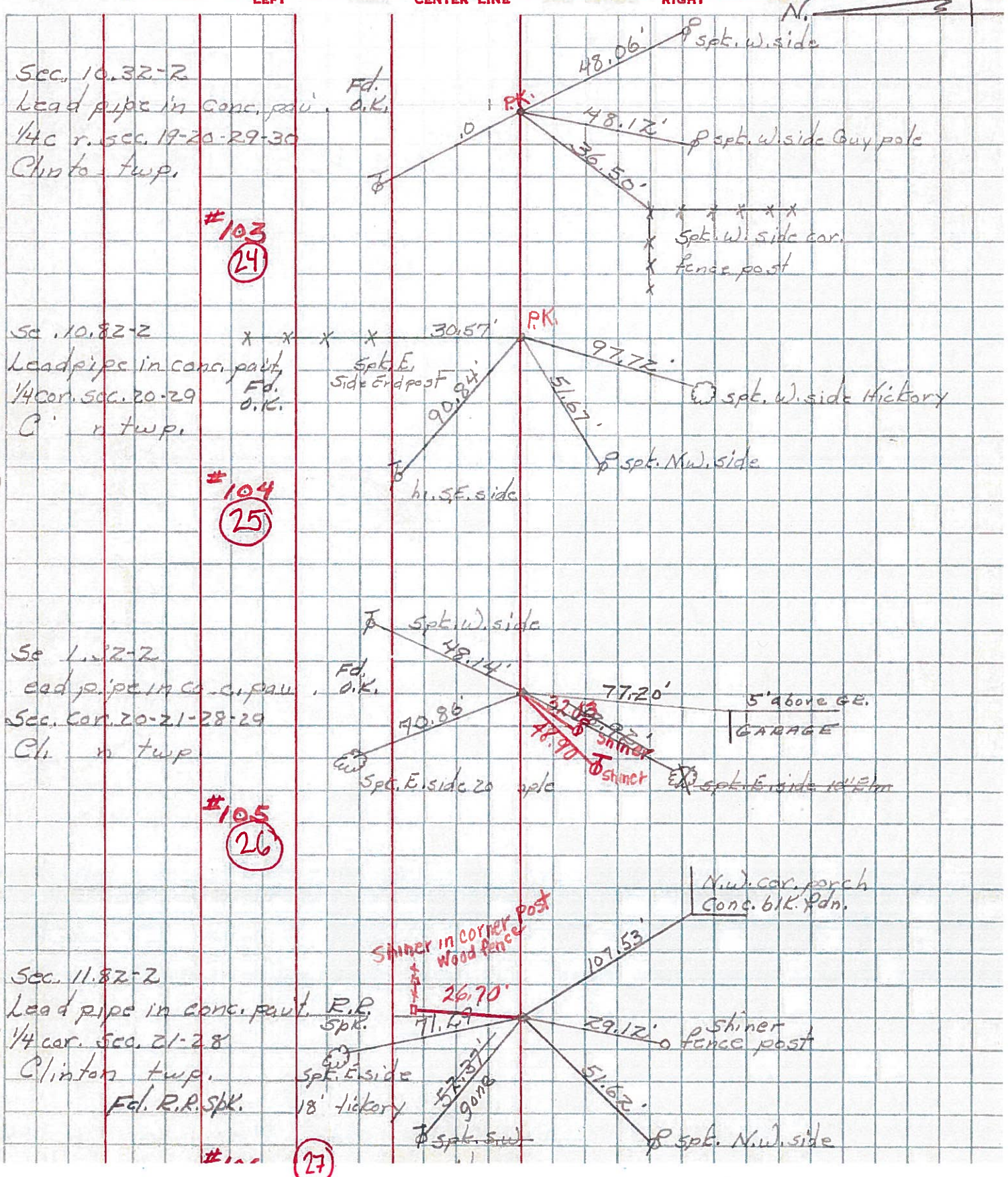
DESCRIPTION

LEFT

CENTER LINE

RIGHT

JOB NO.



Sec. 10.32-2
Lead pipe in conc. fault. a.k.
1/4 cor. sec. 19-20-29-30
Clinton twp.

#103
(24)

Sec. 10.82-2
Lead pipe in conc. fault
1/4 cor. sec. 20-29
Clinton twp.

#104
(25)

Sec. 1.22-2
Lead pipe in conc. fault
Sec. Cor. 20-21-28-29
Clinton twp.

#105
(26)

Sec. 11.82-2
Lead pipe in conc. fault. R.R.
1/4 cor. sec. 21-28
Clinton twp.
Fol. R.R. Spk.

#106
(27)

