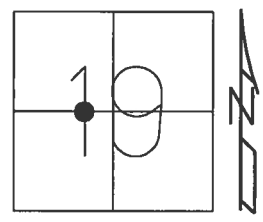


O.D.O.T. DISTRICT 2 SURVEY OFFICE (USE ONLY)

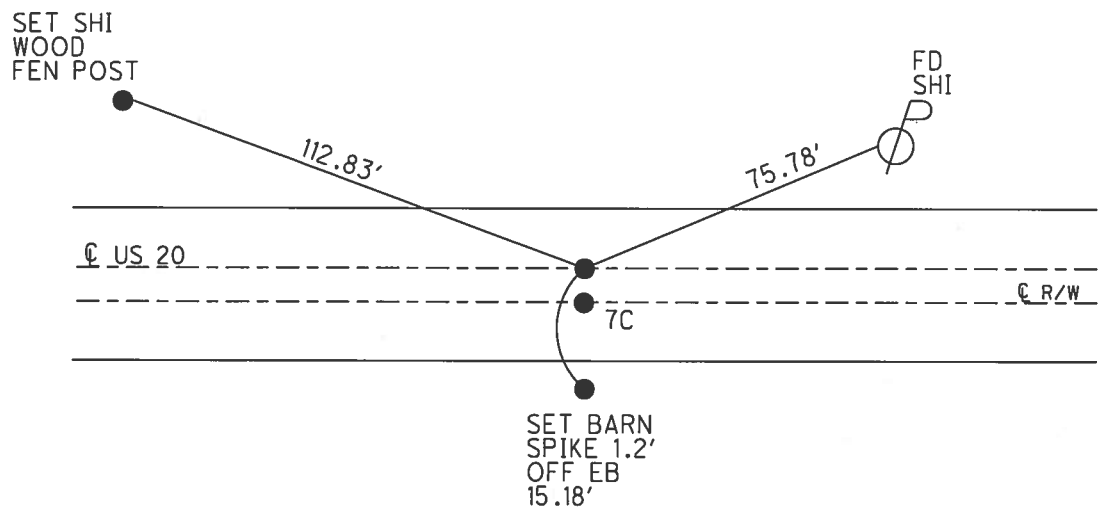
PERSONNEL	REFERENCE NO.	<u>7 B</u>	SHEET	<u>8</u>	OF	<u>38</u>
NOTES	<u>LEU</u>	DATE	<u>4/12/17</u>	ROUTE	<u>US 20</u>	
H.C.	<u>HOMAN</u>	WEATHER	<u>SUNNY</u>	COUNTY	<u>FULTON</u>	
R.C.	<u>LEU</u>	TEMP.	<u>51°F</u>	TOWNSHIP	<u>GORHAM</u>	
				SECTION	<u>19</u>	
				T	<u>9</u>	R
				S		E

TYPE MONUMENT P.K.NAIL
 ON SURFACE - ~~BELOW~~ ON
~~LEFT~~ - ☉ PAV'T - RIGHT 1.4'
10.3 TO RT EDGE PAVEMENT
 S.L.M. 155+09
 Grid: Northing: 736467.556 Easting: 1463309.713



RECORD:
 1/2" IPIPE
 1 1/2" DOWN
 7-24-91
 FD IPIPE
 5-16-02, MB
 SET P.K./WASHER
 6-6-02, MB
 FD P.K.NAIL
 REFB7
 4-12-2017, DCH
 SET MAG/WASHER
 08-14-2017, DCH

DIST. 7B-7C= 0.72'



O.D.O.T. DISTRICT 2 SURVEY OFFICE

PERSONNEL

REFERENCE NO. 7-B

SHEET 5 OF 13

NOTES M. Campbell

H.C. M. B. ...

R.C. K. ...

DATE 5-16-02

WEATHER overcast

TEMP. 70°

ROUTE 0520

COUNTY Franklin

TOWNSHIP ...

SECTION 19

T9 S R 1 E

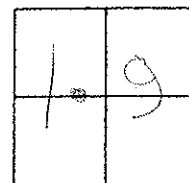
TYPE MONUMENT I. H. ... A & B

ON SURFACE - BELOW

LEFT - & PAV'T. - RIGHT A = 1.8' RT; B = 2.9' RT

A = 10.3 TO RT EDGE PAVEMENT

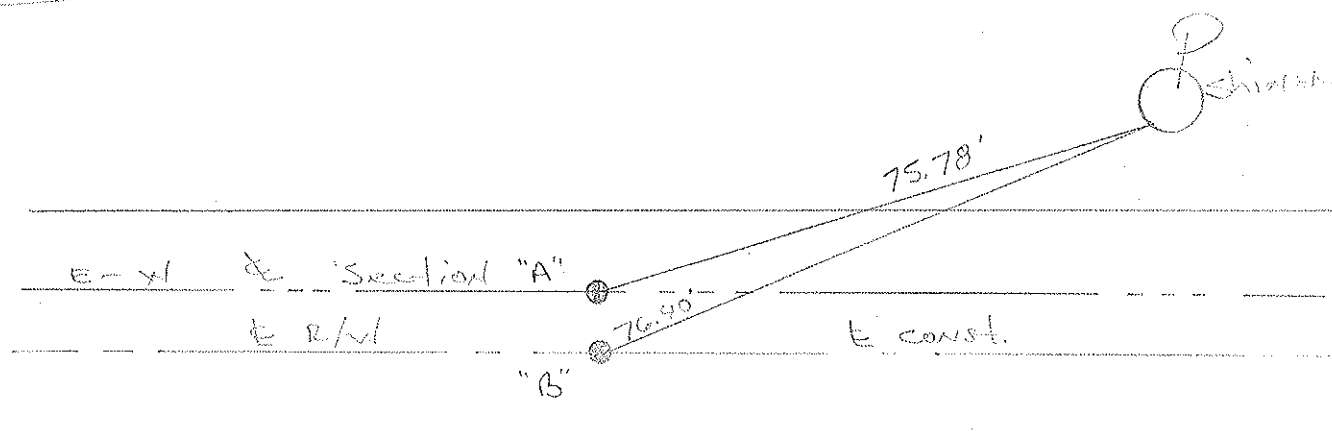
S.L.M. 155409



Records:
 1/2" I.P. Pipe (both)
 1 1/2" B.L. ...
 7-24-01

0.72' B.T.W. A & B

Re-survey P.K. w/ witness.
 Both A & B
 6-6-02 MB



O.D.O.T. DISTRICT 2 SURVEY OFFICE

PERSONNEL

REFERENCE NO. 7-8

SHEET 5 OF

NOTES 1. Stone

H.C. D. Cordis

R.C. C. Lochrke

DATE 24 July 91

WEATHER Warm

TEMP. 83°

ROUTE US # 20

COUNTY Fulton

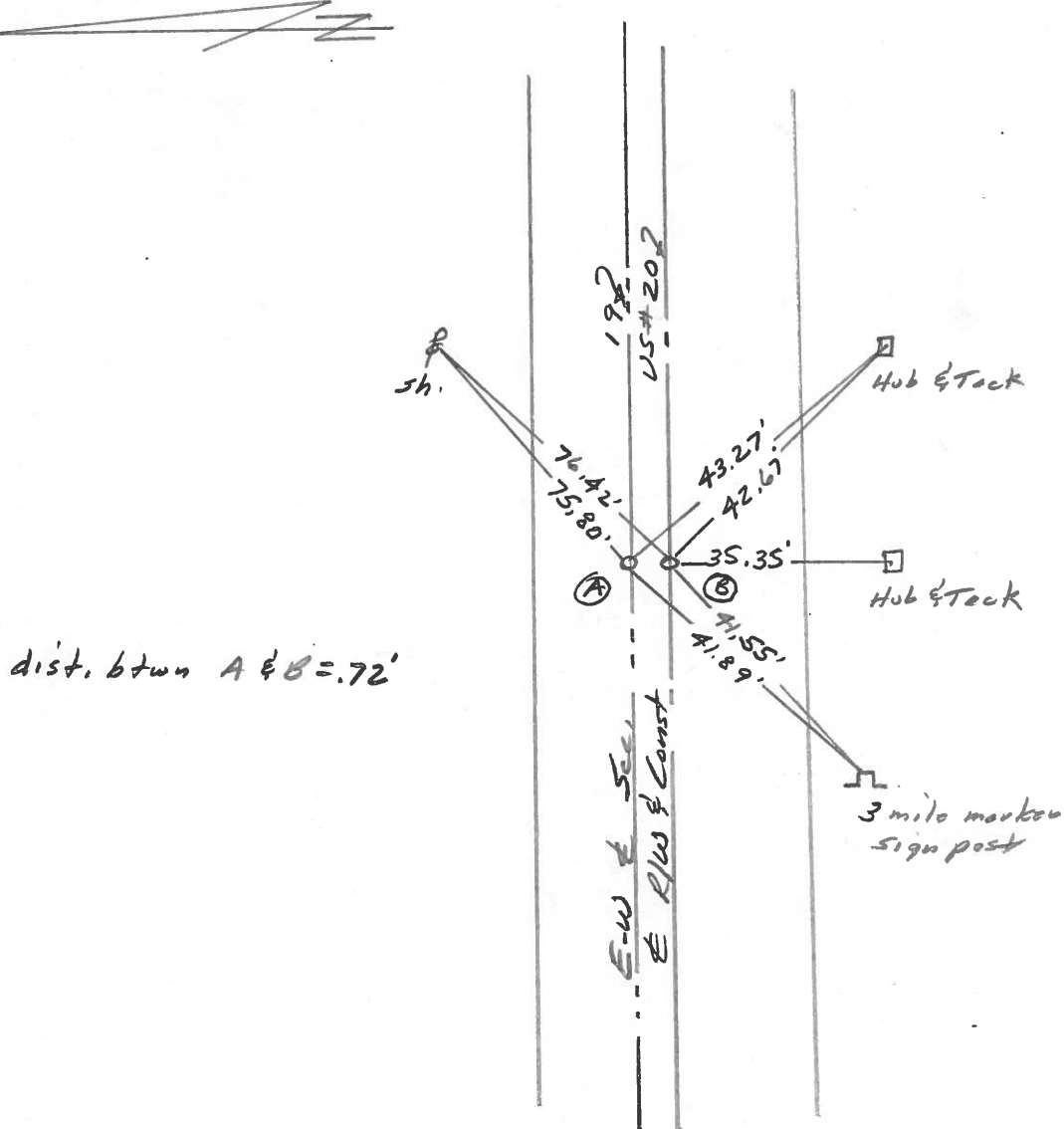
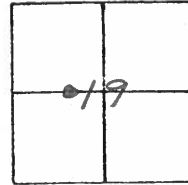
TOWNSHIP Gorham

SECTION 19

T R

TYPE MONUMENT 1/2" I. pipe (both)
 ON SURFACE - BELOW 1 1/2" deep
 LEFT - ☉ PAV'T. - RIGHT A = 1.4' Rt. ctr. Post.
 TO EDGE PAVEMENT
 S.L.M. (B. + h) 161 + 34

Set. P.K. / washers
 3-27-92



County Fulton S.R. US#20

Date 18 May 82

Township Gorham

Weather Warm

Section 19

Temp. 77°

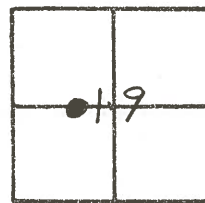
T, N, R, E

Personnel L. Stone

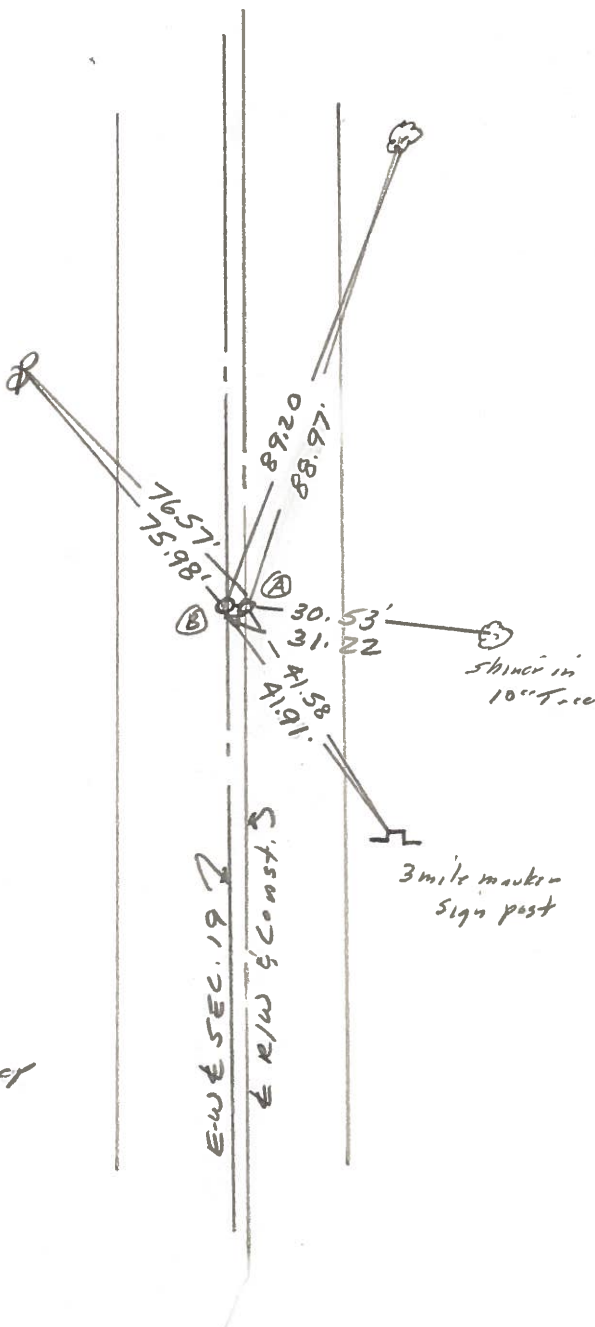
P. Neuse

R. Michael

D. Curtis



REF. NO. 75



SLM. Sta. 159+44

(A) = Fd. 1/2" I. Pipe 1 1/2" deep
E R/W and Const.

14.0' to N. edge put.

10.3' to S. edge put.

(B) = Fd. 1/2" I. Pipe 1 1/2" deep

E-W E SEC. 19

13.3' to N. edge put.

11.0' to S. edge put.

DIST. BTWN (A) & (B) = .70'

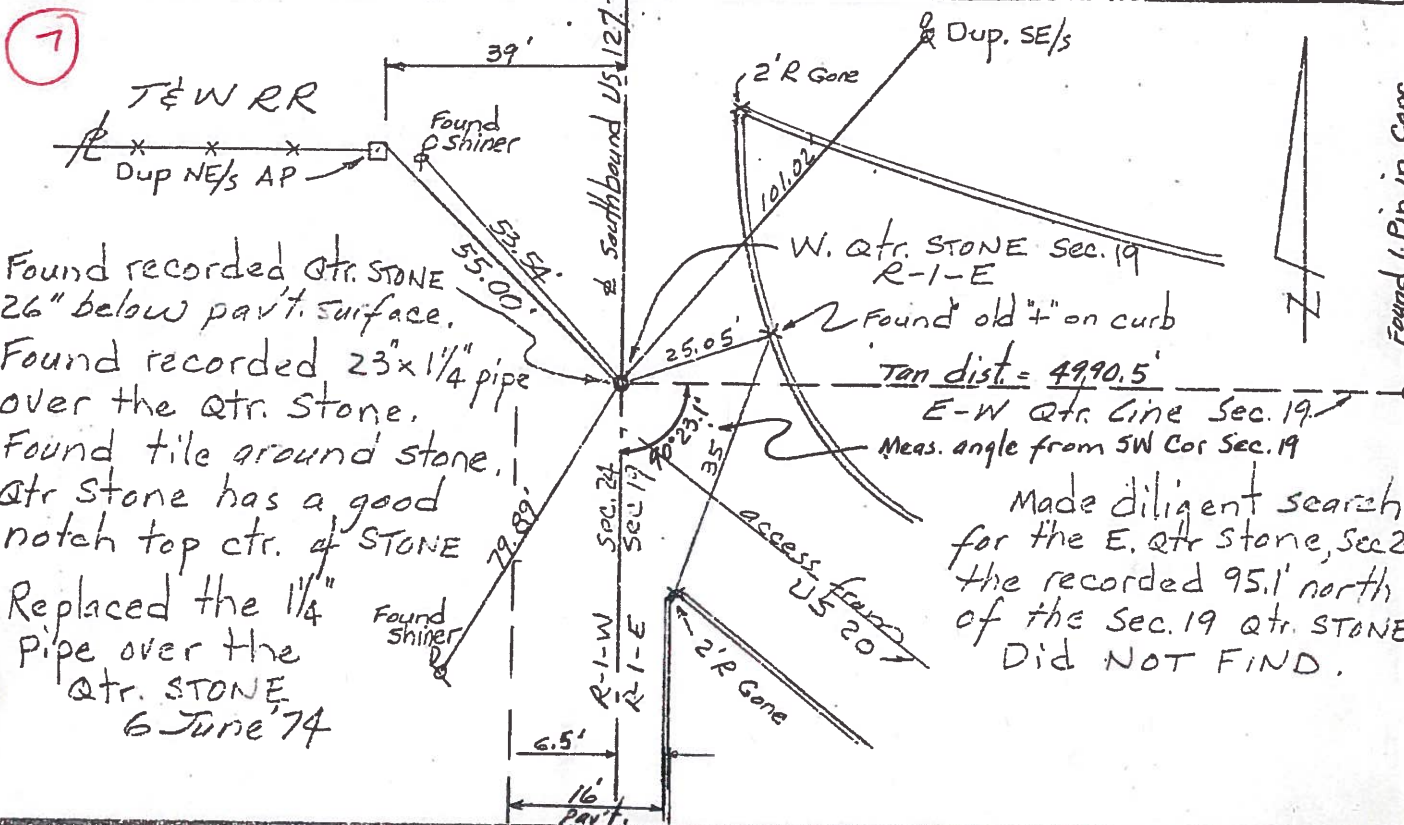
PERSONNEL TITLE PERSONNEL TITLE
 Red Beach
 W. Knappe

COUNTY Fulton DATE 8 June '74

S. R. US 20 WEATHER _____

SEC Gerhart R-1-E TEMP _____

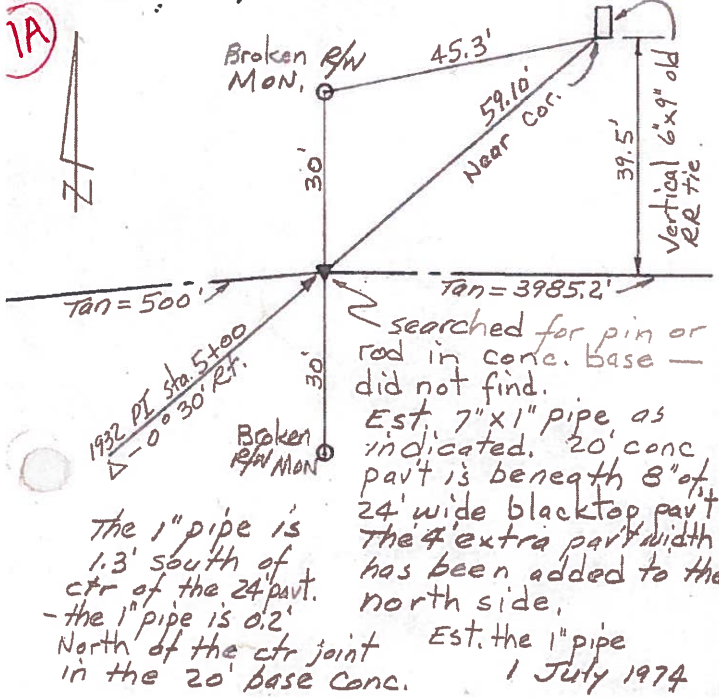
DESCRIPTION CONTROL POINTS JOB NO. _____



Found recorded Qtr. STONE
 26" below pav't. surface.
 Found recorded 23"x1/4" pipe
 over the Qtr. Stone.
 Found tile ground stone.
 Qtr Stone has a good
 notch top ctr. of STONE
 Replaced the 1/4"
 pipe over the
 Qtr. STONE.
 6 June '74

Made diligent search
 for the E. Qtr Stone, Sec 2
 the recorded 95.1' north
 of the Sec. 19 Qtr. STONE
 Did NOT FIND.

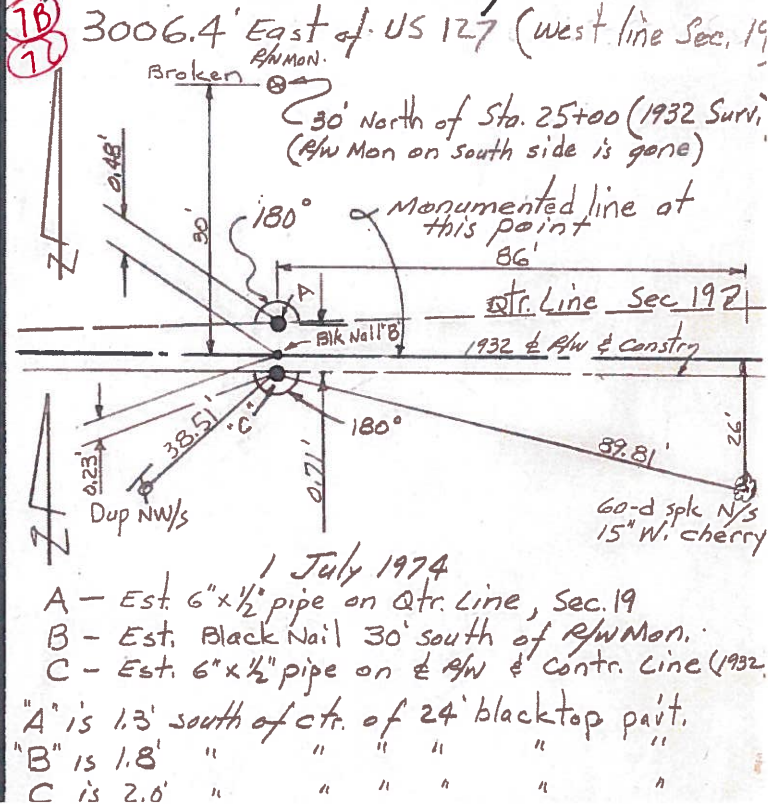
1932 Δ Δ W & Constr. - Not Qtr. Line
 • 1932 PI Sta. 5+00 Δ 0°30' Rt.
 Sta. 5+00 is 1006.4' east of the west
 Qtr. Stone of Sec. 19



searched for pin or
 rod in conc. base -
 did not find.
 Est. 7"x1" pipe as
 indicated. 20' conc
 pav't is beneath 8" of
 24' wide blacktop pav't.
 The 4' extra pav't width
 has been added to the
 north side.
 Est. the 1" pipe
 1 July 1974

The 1" pipe is
 1.3' south of
 ctr of the 24' pav't.
 - the 1" pipe is 0.2'
 North of the ctr joint
 in the 20' base conc.

POINTS on Two Tangent Lines



3006.4' East of US 127 (west line Sec. 19)
 Broken Δ MON.
 30' North of Sta. 25+00 (1932 Surv.)
 (R/W Mon on south side is gone)
 Monumented line at
 this point
 86'
 Qtr. Line Sec 19
 1932 Δ Δ W & Constr.
 1 July 1974
 A - Est. 6"x1/2" pipe on Qtr. Line, Sec. 19
 B - Est. Black Nail 30' south of R/W Mon.
 C - Est. 6"x1/2" pipe on Δ Δ W & Constr. Line (1932)
 "A" is 1.3' south of ctr. of 24' blacktop pav't.
 "B" is 1.8' " " " " " "
 "C" is 2.0' " " " " " "