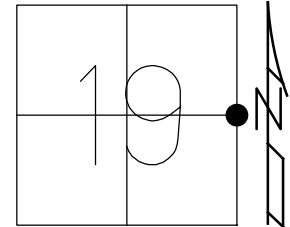


O.D.O.T. DISTRICT 2 SURVEY OFFICE (USE ONLY)

PERSONNEL \_\_\_\_\_ REFERENCE NO. 10 C SHEET 18 OF 38  
 NOTES LEU DATE 4/13/17 ROUTE US 20  
 H.C. HOMAN WEATHER OVERCAST COUNTY FULTON  
 R.C. LEU TEMP. 48°F TOWNSHIP GORHAM  
 \_\_\_\_\_ SECTION 19  
 \_\_\_\_\_ T 9 S R 1 E

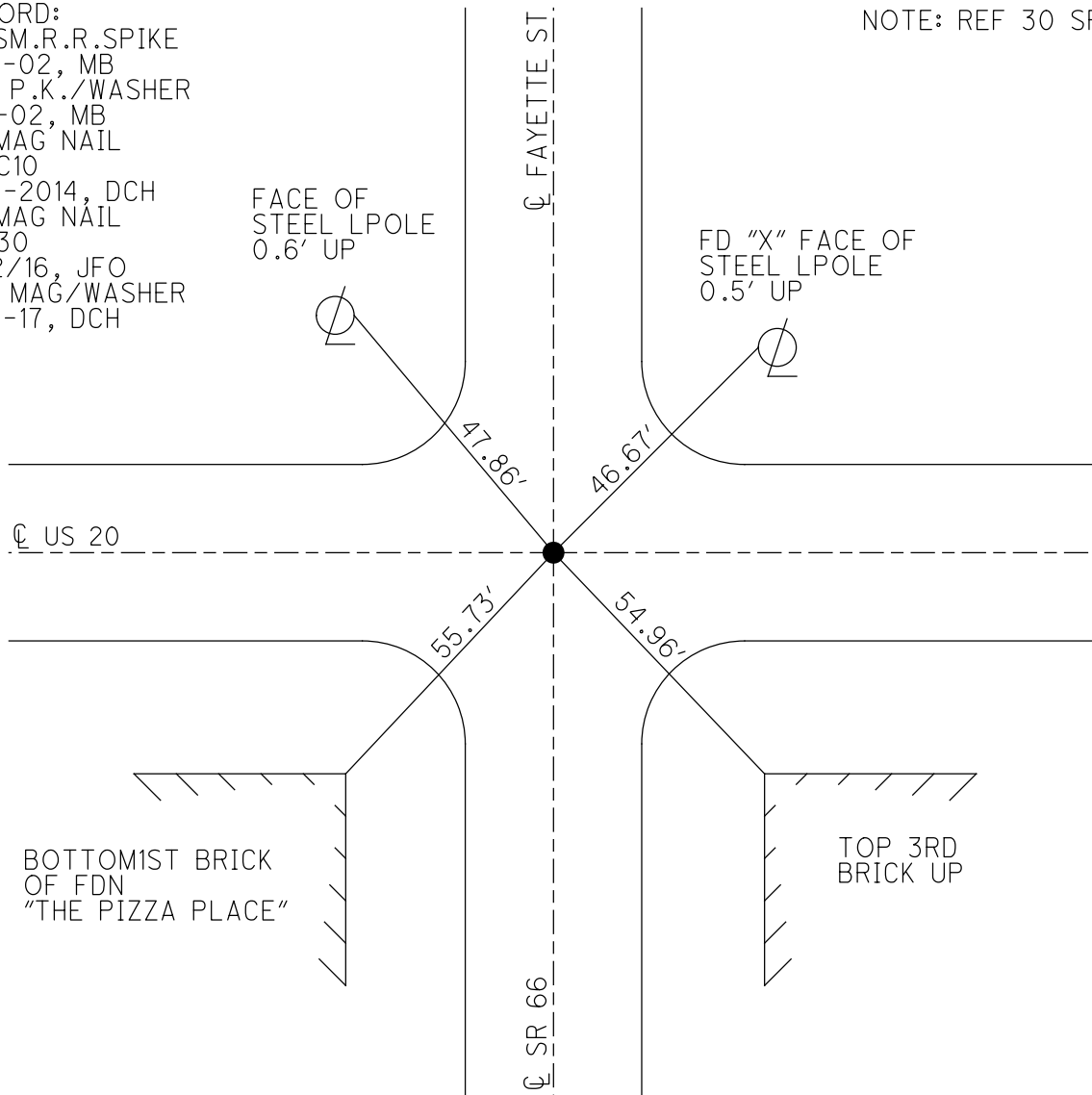
TYPE MONUMENT MAG NAIL  
 ON SURFACE - BELOW ON  
 LEFT - ☉ PAV'T - RIGHT ON  
 - TO - EDGE PAVEMENT  
 S.L.M. 214+86



Grid: Northing: 736392.803 Easting: 1469290.002

RECORD:  
 FD SM.R.R.SPIKE  
 5-17-02, MB  
 SET P.K./WASHER  
 6-6-02, MB  
 FD MAG NAIL  
 REFC10  
 4-13-2014, DCH  
 FD MAG NAIL  
 REF30  
 12/2/16, JFO  
 SET MAG/WASHER  
 8-14-17, DCH

NOTE: REF 30 SR 66



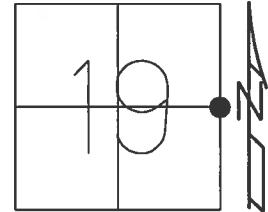
BOTTOM 1ST BRICK  
 OF FDN  
 "THE PIZZA PLACE"

TOP 3RD  
 BRICK UP

**O.D.O.T. DISTRICT 2 SURVEY OFFICE (USE ONLY)**

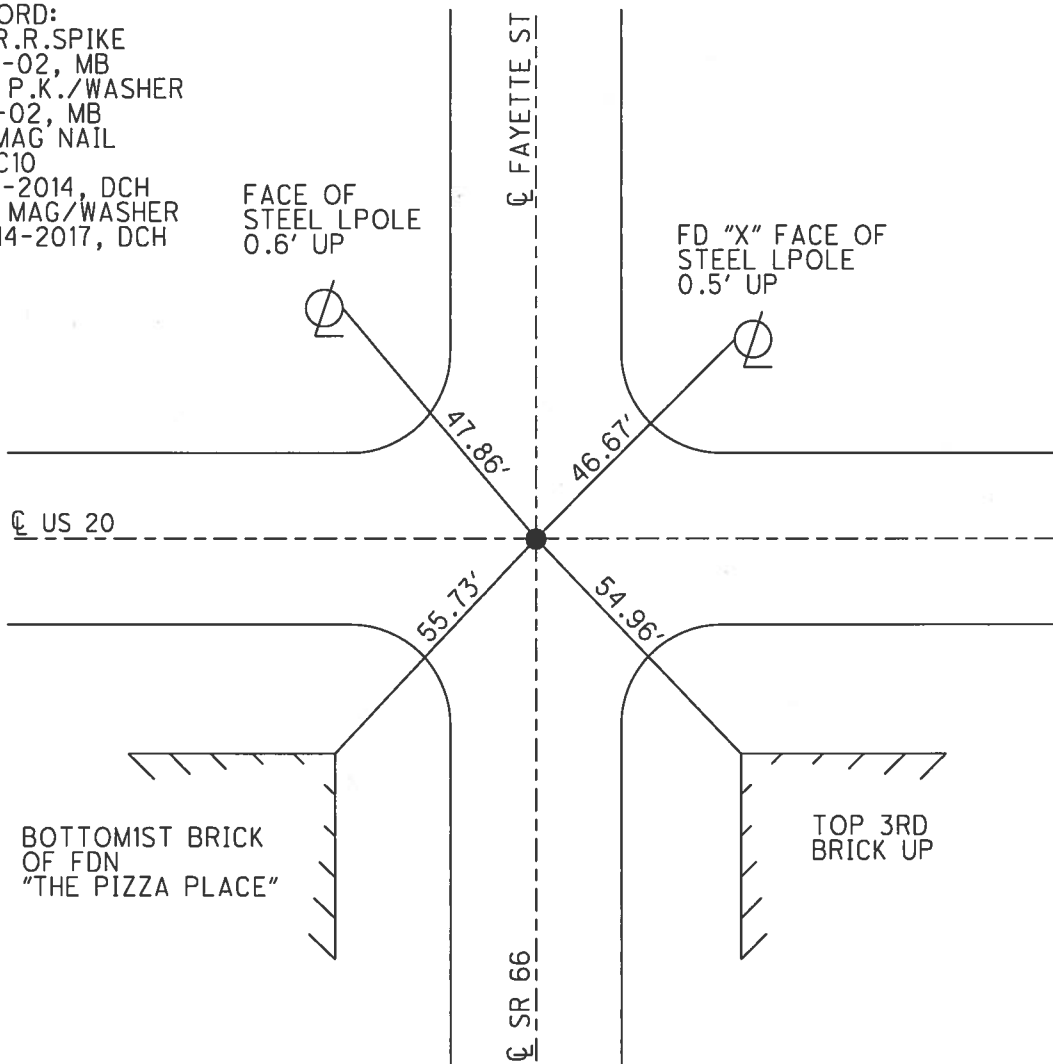
PERSONNEL \_\_\_\_\_ REFERENCE NO. 10 C SHEET 18 OF 38  
 NOTES LEU DATE 4/13/17 ROUTE US 20  
 H.C. HOMAN WEATHER OVERCAST COUNTY FULTON  
 R.C. LEU TEMP. 48°F TOWNSHIP GORHAM  
 SECTION 19  
 T 9 S R 1 E

TYPE MONUMENT MAG NAIL  
~~ON SURFACE~~ - BELOW ON  
 LEFT - ☉ PAV'T - RIGHT ON  
- TO - EDGE PAVEMENT  
 S.L.M. 214+86



Grid: Northing: 736392.785 Easting: 1469290.002

RECORD:  
 SM.R.R.SPIKE  
 5-17-02, MB  
 SET P.K./WASHER  
 6-6-02, MB  
 FD MAG NAIL  
 REFC10  
 4-13-2014, DCH  
 SET MAG/WASHER  
 08-14-2017, DCH



# O.D.O.T. DISTRICT 2 SURVEY OFFICE

PERSONNEL

REFERENCE NO. 10-C SHEET 13 OF 13

NOTES M. CANTERBURY

H.C. M. BARANISIC

R.C. K. MOSER

DATE 5-17-02

WEATHER overcast

TEMP. 52°

ROUTE US 20

COUNTY FULTON

TOWNSHIP GORHAM

SECTION 19

T 9 S R 1 E

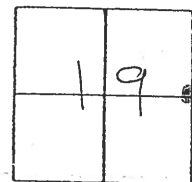
TYPE MONUMENT Small P.R. Spike

ON SURFACE - ~~BELOW~~ 4 1/2"

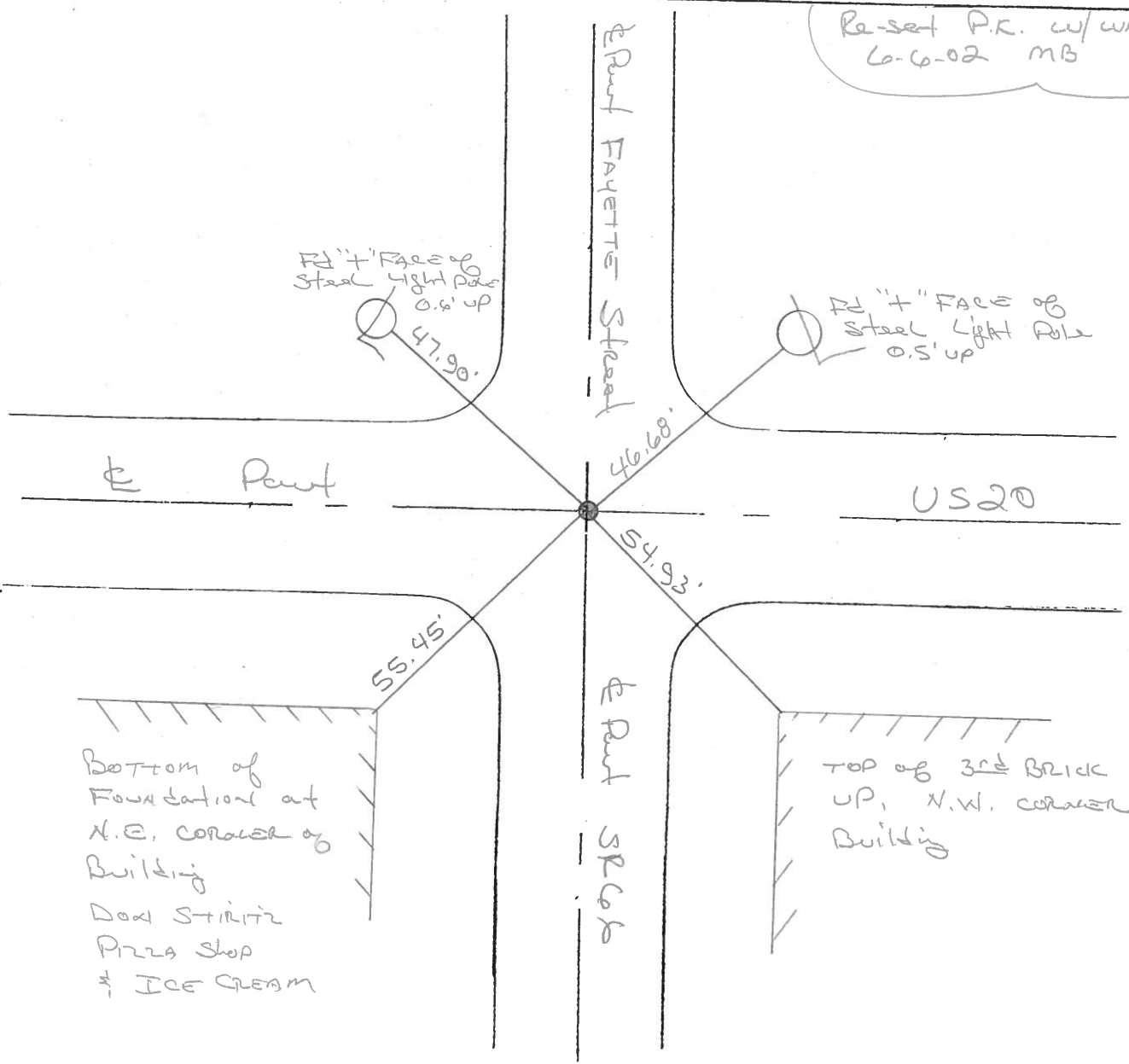
LEFT - ☉ PAV'T. - RIGHT YES

TO EDGE PAVEMENT

S.L.M. 214 + 80



Re-set P.R. w/ washer  
6-6-02 MB



# O.D.O.T. DISTRICT 2 SURVEY OFFICE

PERSONNEL \_\_\_\_\_

REFERENCE NO. 10-C

SHEET 2 OF 2

NOTES Huss

H.C. VanNusen

R.C. Cordes

DATE 5-7-98

WEATHER Clody-Fair

TEMP. +62°F

ROUTE US-20

COUNTY Fulton

TOWNSHIP Corham

SECTION 19

T D S R I E

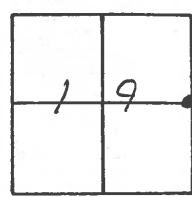
TYPE MONUMENT PK / WASHER

ON SURFACE - ~~NO~~ YES

~~LEFT - C~~ PAV'T. - RIGHT YES

TO EDGE PAVEMENT

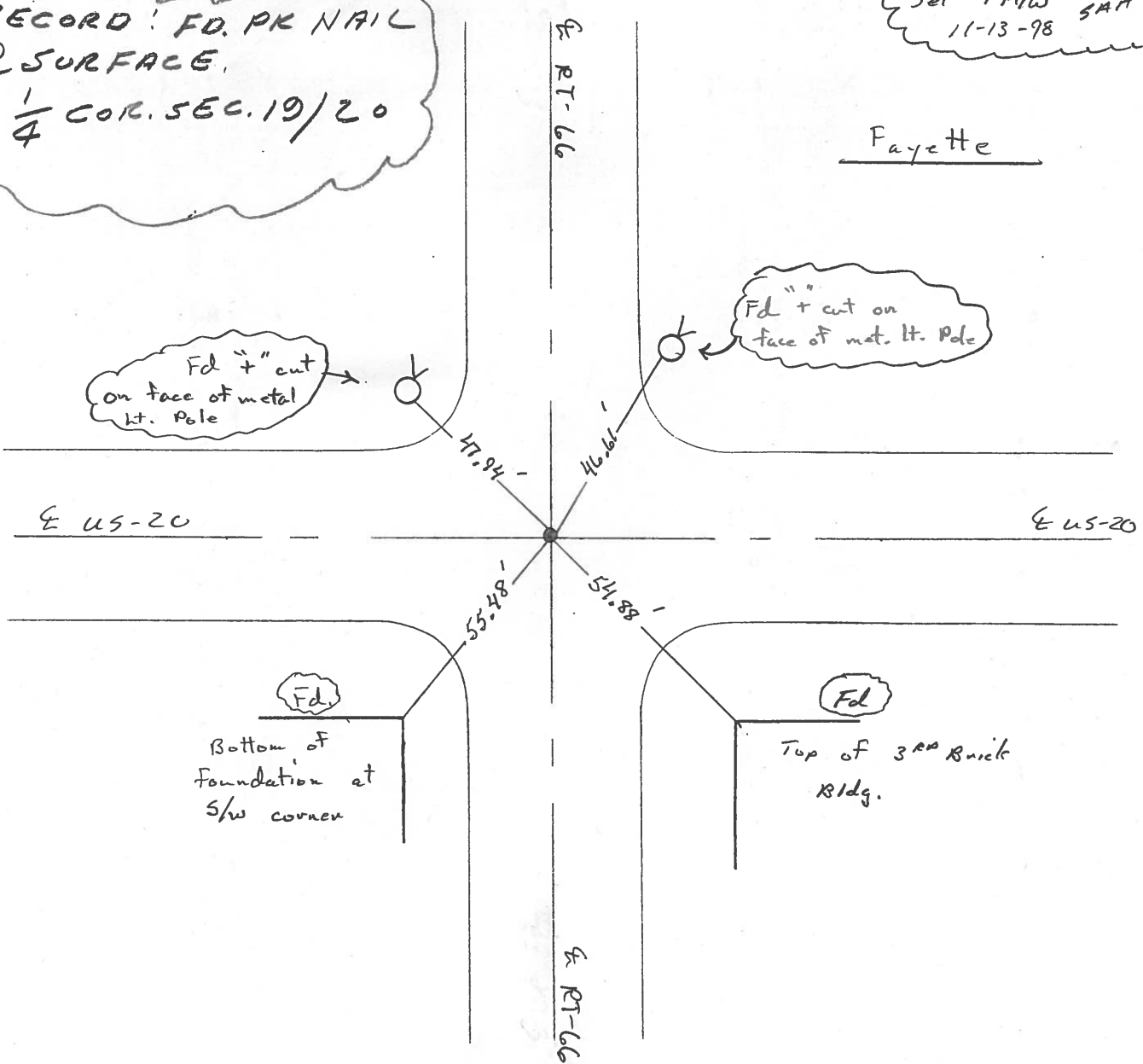
S.L.M. 221+15



RECORD: FD. PK NAIL  
 @ SURFACE.  
 $\frac{1}{4}$  COR. SEC. 19/20

Set PK/W SHM  
 11-13-98

Fayette



Fd " " cut  
 on face of metal  
 lt. Pole

Fd " " cut on  
 face of met. lt. Pole

Fd.  
 Bottom of  
 Foundation at  
 SW corner

Fd.  
 Top of 3rd Brick  
 Ridg.

# O.D.O.T. DISTRICT 2 SURVEY OFFICE

PERSONNEL

REFERENCE NO. 10-C

SHEET 13 OF     

NOTES 1. Stone

H.C. D. Curtis

DATE 16 Aug. 91

ROUTE US#20

R.C. C. Lochrke

WEATHER Warm

COUNTY Fulton

TEMP. 78°

TOWNSHIP Garbony

SECTION 19

T      R     

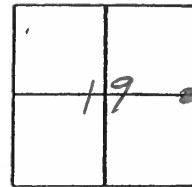
TYPE MONUMENT PK Nail Set PK / WASHER

ON SURFACE - BELOW Surface

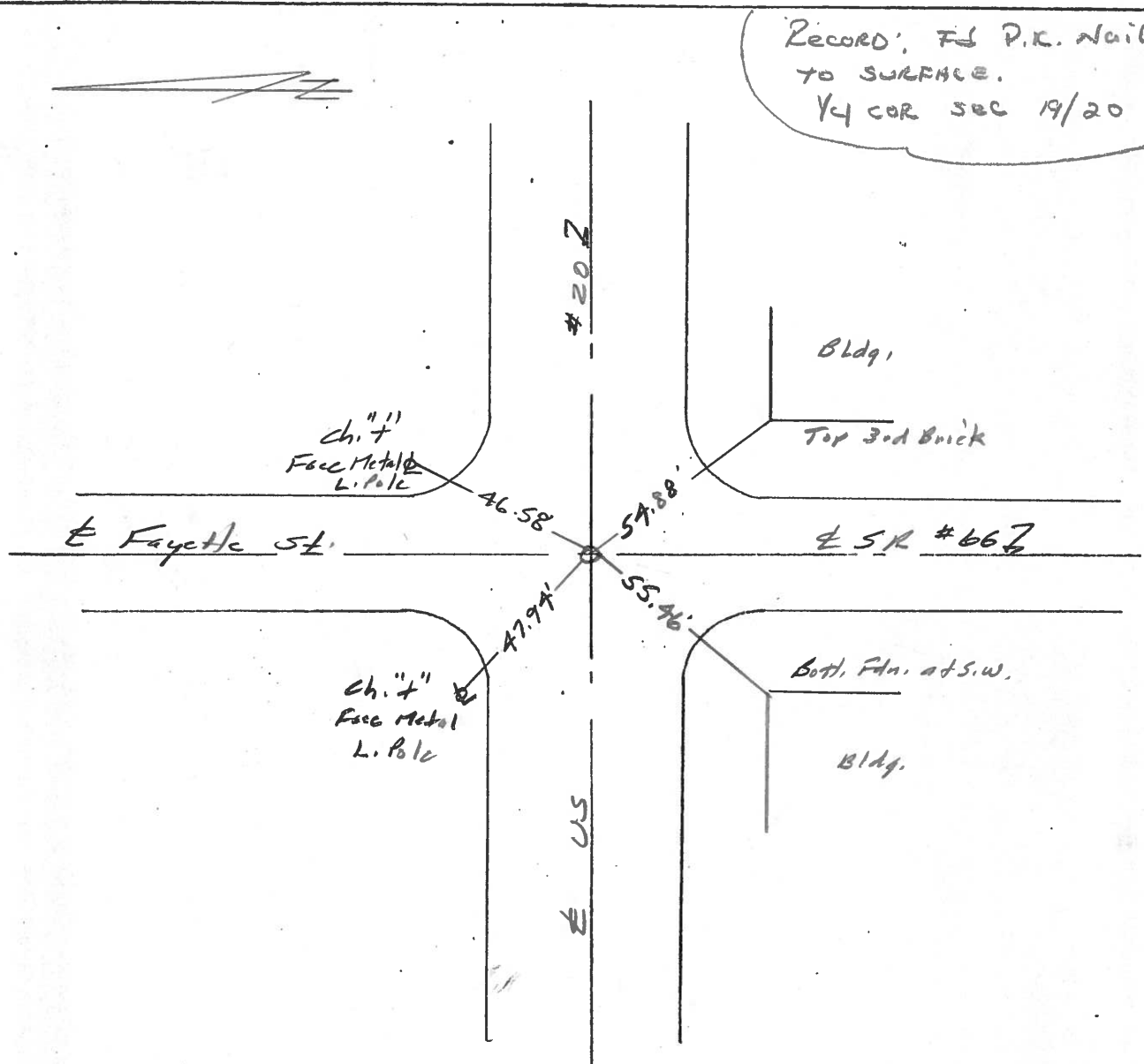
LEFT - & PAV'T. - RIGHT     

TO      EDGE PAVEMENT

S.L.M. 221+15



RECORD: FD P.K. Nail  
TO SURFACE.  
1/4 COR SEC 19/20



County Fulton S.R. US #20

Date 18 May 82

Township Gorbans

Weather Warm

Section 19

Temp. 80°

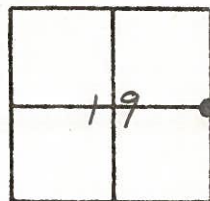
T    N, R    E

Personnel I. Stone

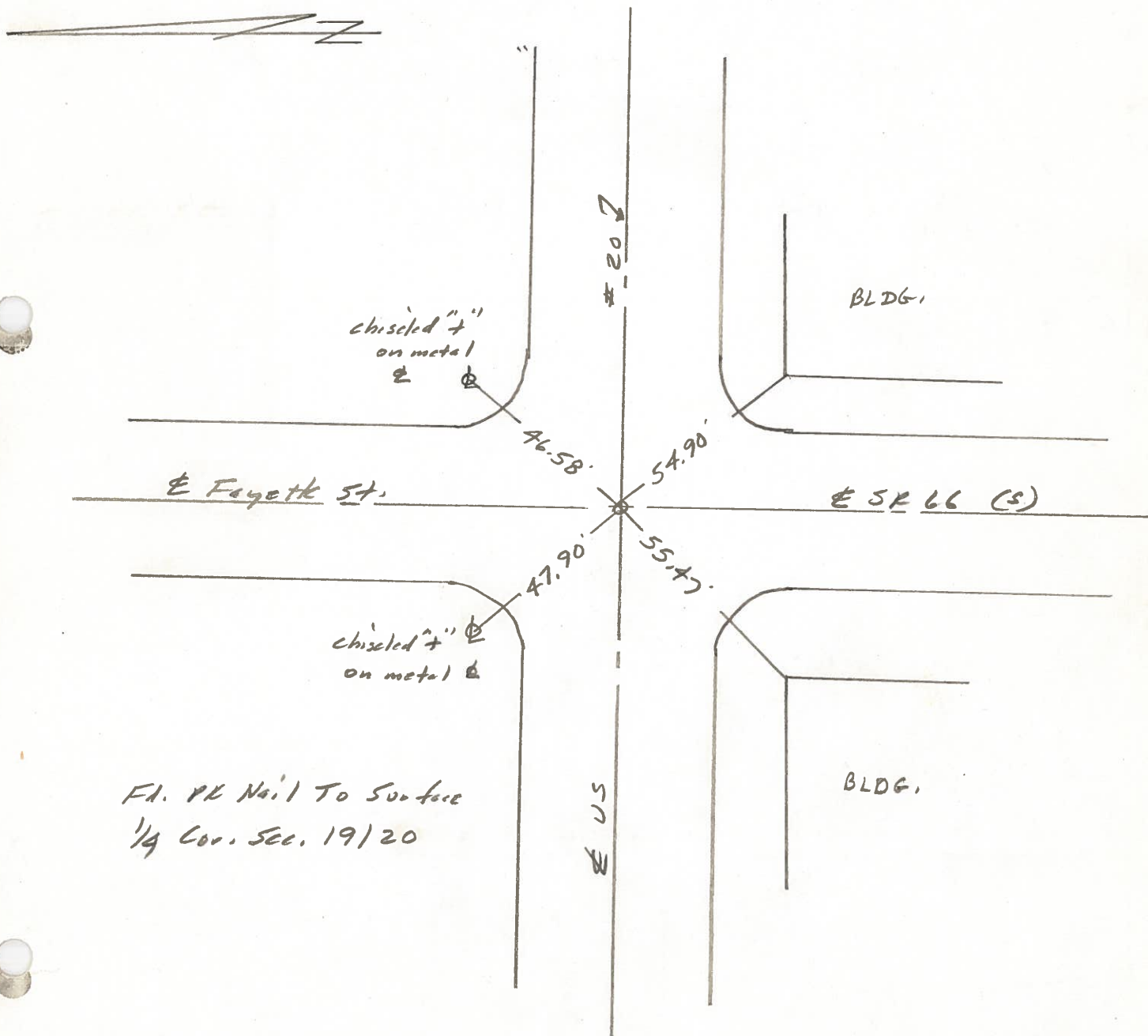
P. Neuse

E. Michalak

D. Curtis



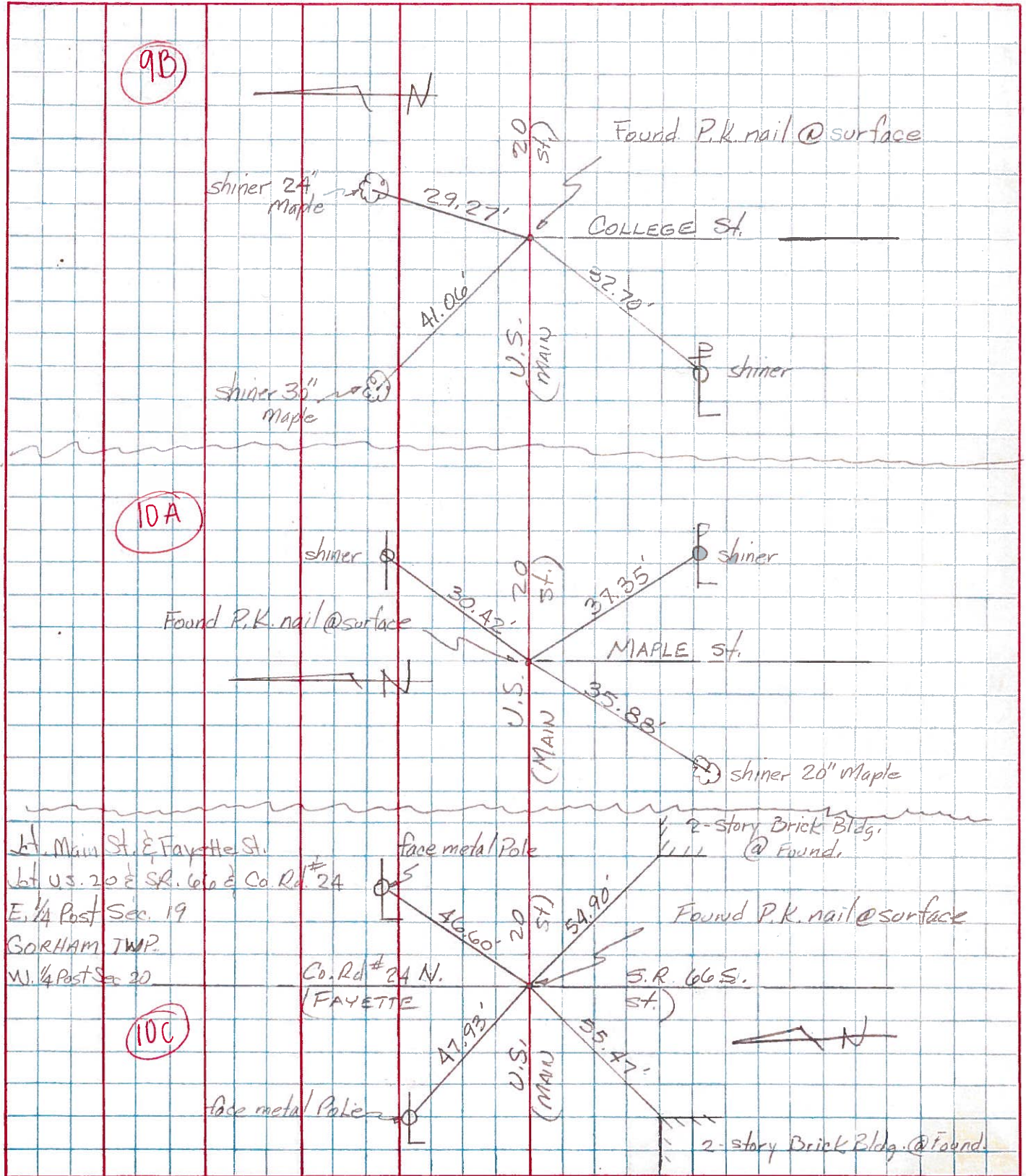
REF. NO. 10-C



PERSONNEL	TITLE	PERSONNEL	TITLE
Jomsic			
Neuser			
Granata			

COUNTY Fulton DATE JUNE 1 1973  
 S. R. U.S. 20 WEATHER \_\_\_\_\_  
 SEC. FAYETTE 0. TEMP. \_\_\_\_\_

DESCRIPTION \_\_\_\_\_ LEFT \_\_\_\_\_ CENTER LINE \_\_\_\_\_ RIGHT \_\_\_\_\_ JOB NO. \_\_\_\_\_



At Main St. & Fayette St.  
 at U.S. 20 & S.R. 66 & Co. Rd. #24  
 E. 1/4 Post Sec. 19  
 GORHAM TWP.  
 W. 1/4 Post Sec. 20

Co. Rd # 24 N.  
 FAYETTE

2-story Brick Bldg.  
 @ Found.

Found P.K. nail @ surface

S.R. 66 S.  
 ST.)

2-story Brick Bldg. @ Found.