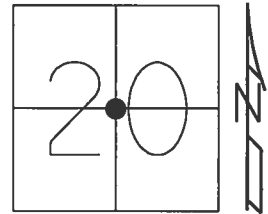


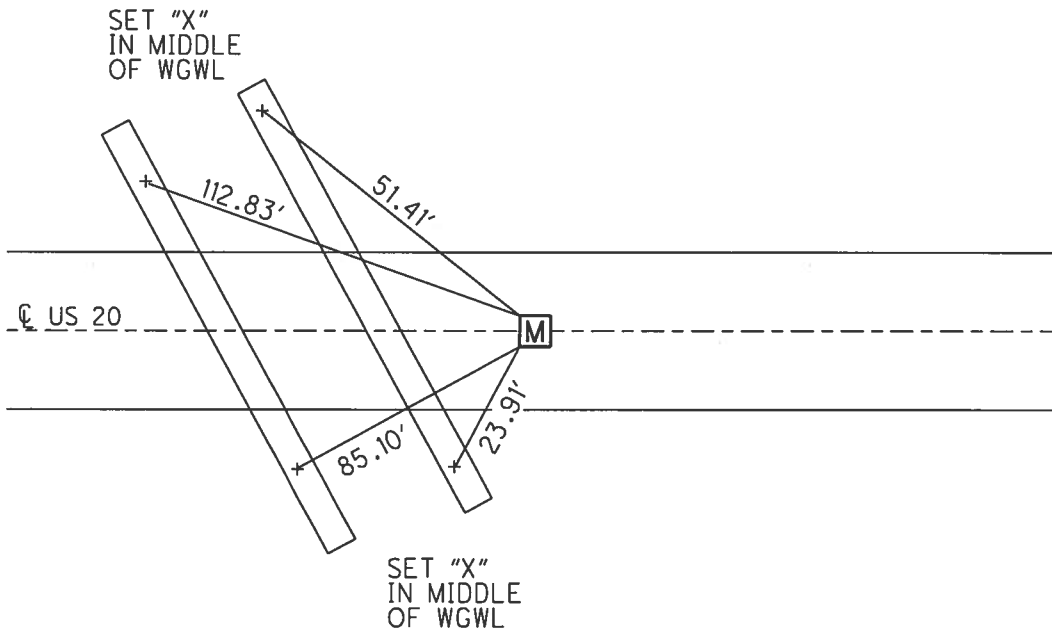
O.D.O.T. DISTRICT 2 SURVEY OFFICE (USE ONLY)

PERSONNEL _____ REFERENCE NO. 11 A SHEET 20 OF 38
 NOTES LEU DATE 4/17/17 ROUTE US 20
 H.C. HOMAN WEATHER SUNNY COUNTY FULTON
 R.C. LEU TEMP. 65°F TOWNSHIP GORHAM
 _____ SECTION 20
 _____ T9S R1E

TYPE MONUMENT MONBOX
 ON SURFACE - ~~BELOW~~ ON
 LEFT - ☉ PAV'T - RIGHT ON
- TO - EDGE PAVEMENT
 S.L.M. 247+88
 Grid: Northing: 736419.472 Easting: 1471965.077



RECORD:
 FD MONBOX W/"+"
 4/17/17, DCH
 SET PUNCH ON LID
 0.06' S. OF "X"
 0.10' W. OF "X"
 REFA11
 08-14-2017, DCH



PERSONNEL	TITLE	PERSONNEL	TITLE
Tomsic			
Newser			
Granata			

COUNTY Fulton DATE June-11-1973
 S. R. U.S. 20 WEATHER _____
 SEC. FAYETTE 0. TEMP. _____

DESCRIPTION _____ LEFT _____ CENTER LINE _____ RIGHT _____ JOB NO. _____

