

O.D.O.T. DISTRICT 2 SURVEY OFFICE (USE ONLY)

PERSONNEL _____ REFERENCE NO. 22 SHEET 36 OF 38
 NOTES AUBLE DATE 12/21/23 ROUTE SR 20
 H.C. NIESE WEATHER CLOUDY COUNTY FULTON
 R.C. ASTON TEMP. 45° TOWNSHIP CHESTERFIELD
 DWG BY RHOADES PID PAVING TRAIN SECTION 30
 T 9 N R 2 E

TYPE MONUMENT MAG/WASHER

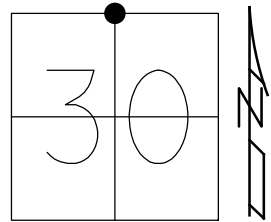
ON SURFACE - ~~BELOW~~ ON

OFFSET Q PAVEMENT ON LT : RT
9.5' TO LT EDGE PAVEMENT

STATION: 547+04

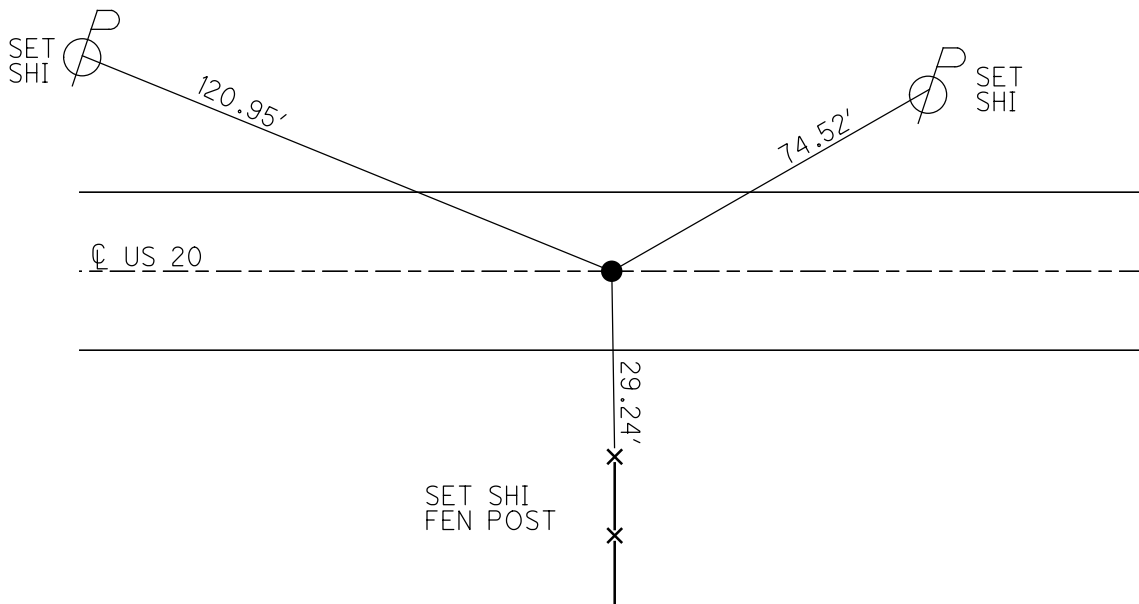
HORZ.DATUM: NAD83 2011 GEOID: NAVD88 2018

GRID: NORTHING: 733676.280 EASTING: 1498552.268



FULTON LPD:
 N: 389198.998
 E: 144888.164

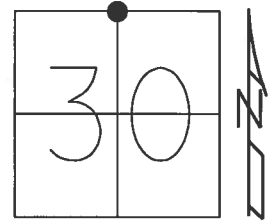
RECORD:
 FD 1/2" IPIPE
 2" DOWN
 SET P.K.NAIL
 10-17-84
 FD 1/2" IPIPE
 5-8-98, SAH
 SET P.K./WASHER
 11-16-98, SAH
 FD P.K./WASHER
 REF22
 4-18-17, DCH
 SET MAG/WASHER
 8-16-17, DCH
 FD MAG/WASHER
 FUL20REF22
 6/9/23, JAM



O.D.O.T. DISTRICT 2 SURVEY OFFICE (USE ONLY)

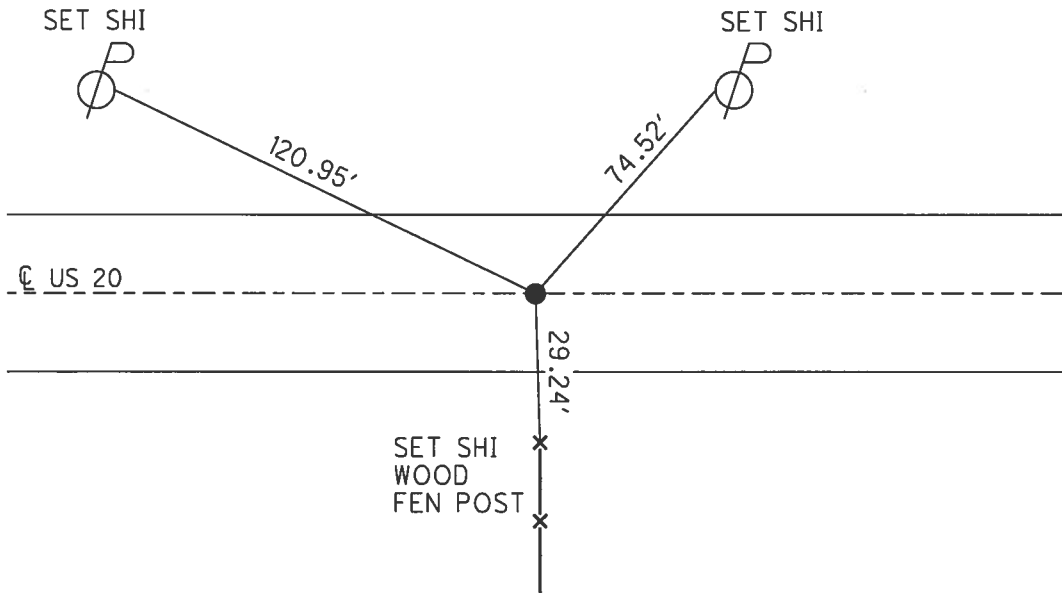
PERSONNEL _____ REFERENCE NO. 22 SHEET 36 OF 38
NOTES LEU DATE 4/18/17 ROUTE US 20
H.C. HOMAN WEATHER SUNNY COUNTY FULTON
R.C. LEU TEMP. 75°F TOWNSHIP CHESTERFIELD
SECTION 30
T 9 S R 2 E

TYPE MONUMENT P.K./WASHER
ON SURFACE - ~~BELOW~~ ON
LEFT - ☉ PAV'T - RIGHT ON
10.9' TO RT EDGE PAVEMENT
S.L.M. 547+04



Grid: Northing: 733676.289 Easting: 1498552.283

RECORD:
FD 1/2" IPIPE
2" DEEP
SET P.K.NAIL
10-17-84
FD 1/2" IPIPE
5-8-98, SAH
SET P.K./WASHER
11-16-98, SAH
FD P.K./WASHER
REF22
4-18-2017, DCH
SET MAG/WASHER
08-16-2017, DCH



O.D.O.T. DISTRICT 2 SURVEY OFFICE

PERSONNEL

REFERENCE NO. 22 SHEET 10 OF 11

NOTES S. HUSS

H.C. B. VAN DUSEN

DATE 5-8-98

ROUTE U.S. 20

R.C. B. CORDES

WEATHER CLOUDY (RAIN)

COUNTY FULTON

TEMP. +62° F

TOWNSHIP CHESTERFIELD

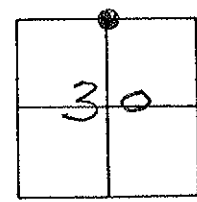
SECTION 30

T9SR2E

TYPE MONUMENT 1/2" I Pipe

~~ON SURFACE~~ - BELOW 2" Deep

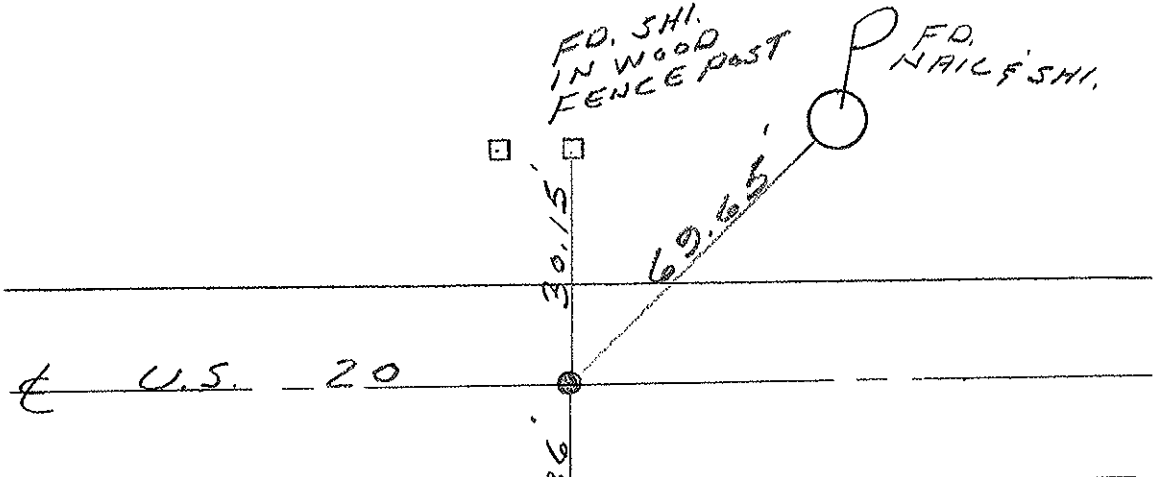
~~LEFT - & PAV'T. - RIGHT~~ YES



10.9' TO RT. EDGE PAVEMENT

S.L.M. 547+04 SLM / 16+661 SLK

SET PK/WASHER
 11-16-98
 S.A.H.



REC.
 1/2" I PIPE 2" DEEP
 9.7' TO S. EDGE PVT.
 9.9' TO N. EDGE PVT.
 SET PK NAIL 10/17/84

FD. SHI.
IN WOOD
FENCE POST

SMT-1

Q.D.O.T. DISTRICT 2 SURVEY OFFICE

SHEET 3 OF

County Fulton S.R. US#20

Date 27 July 89

Township Chesterfield

Weather Cloudy

Section 30

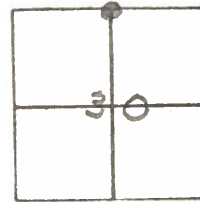
Temp. 70°

T N, R E

Personnel L. Stone

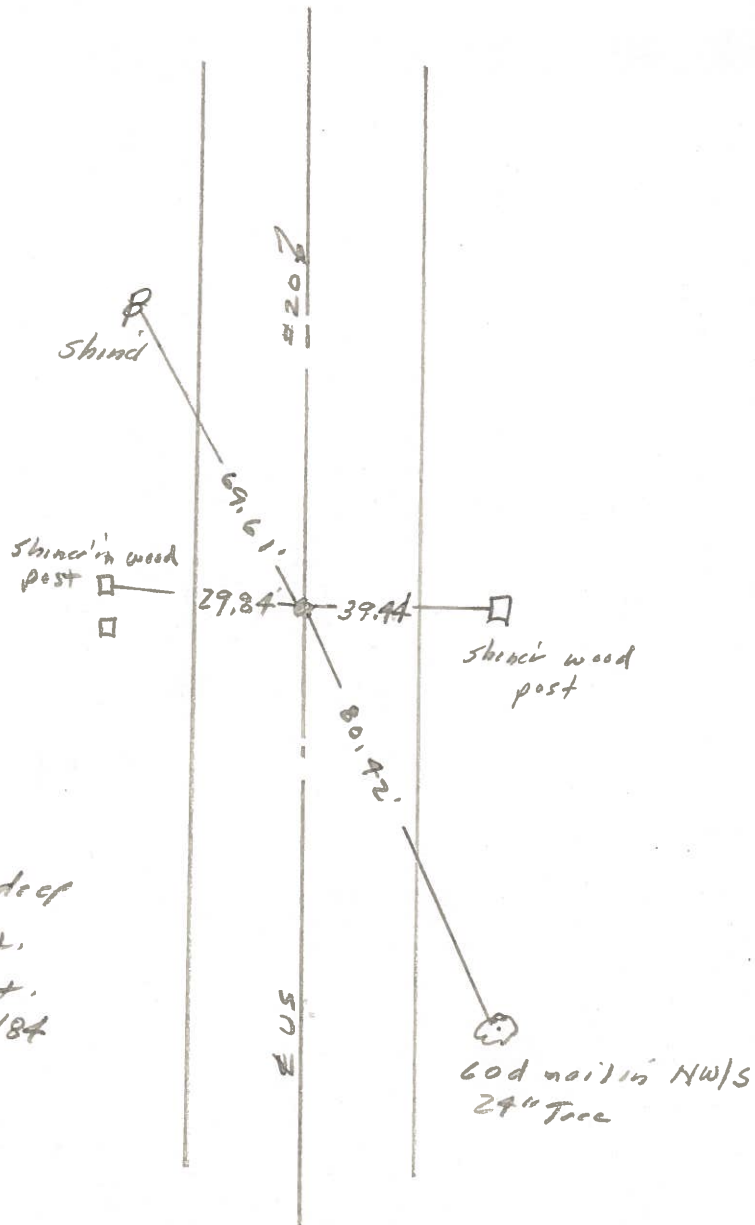
P. Neuse

R. Michalak



SLM STA. 546+65

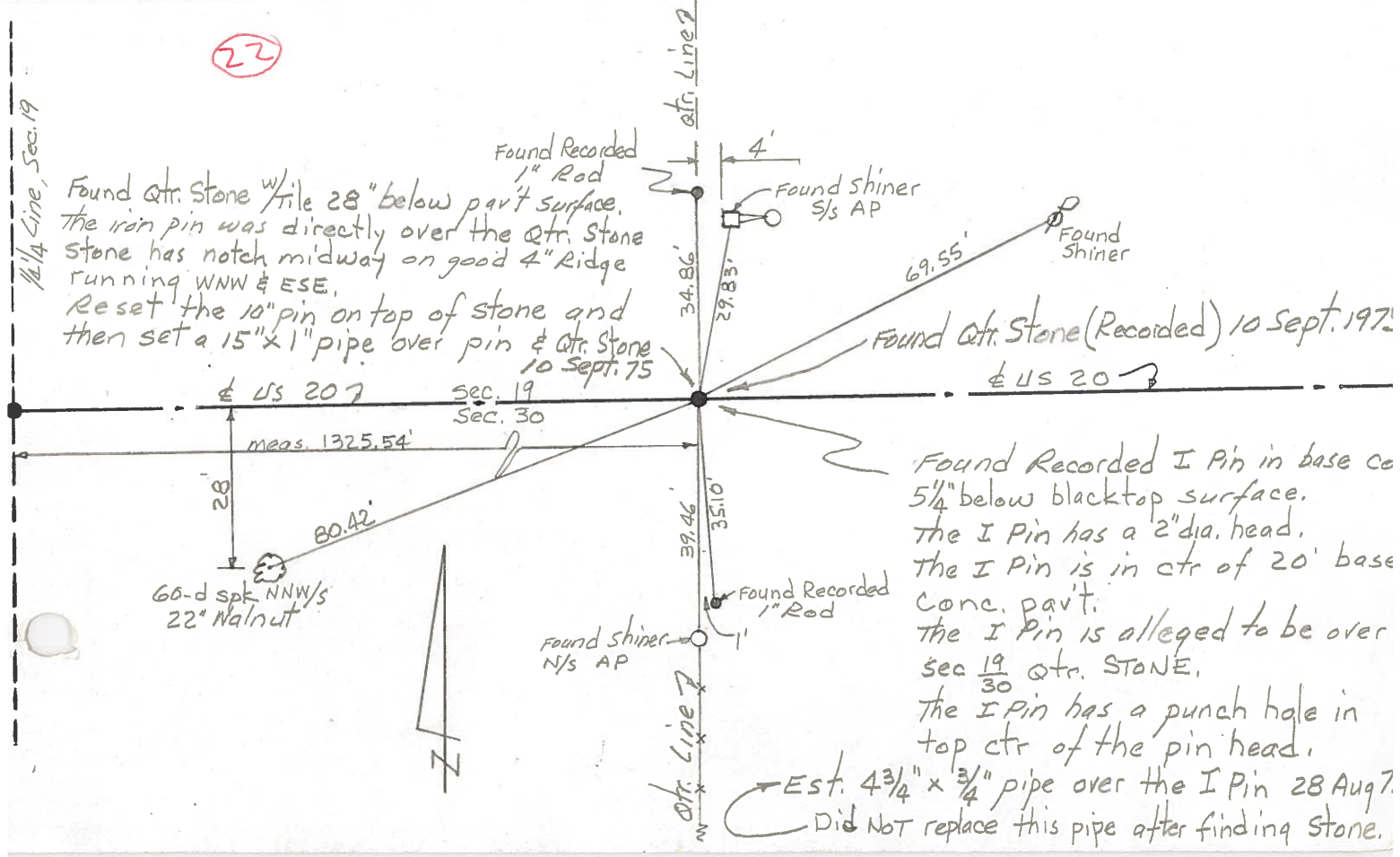
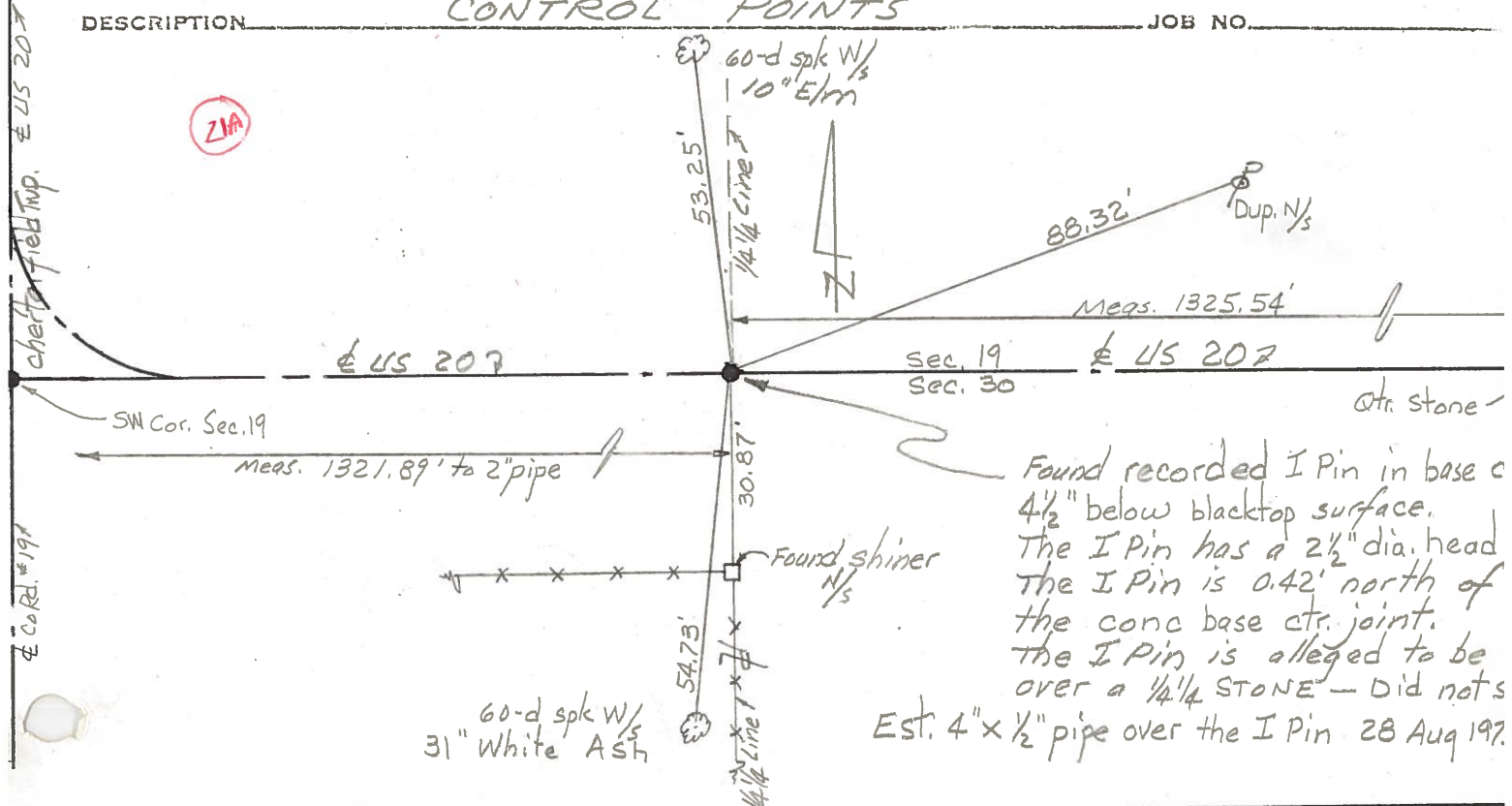
REF. NO. 22



Fd 1 1/2" I. pipe 2" deep
 9.7' to S. edge put.
 9.9' to N. edge put.
 Set PK Nail 10/17/84

PERSONNEL	TITLE	PERSONNEL	TITLE	COUNTY	DATE
Red Beach				Fulton	Aug-Sept. 1977
W. Knape				US 20	
				SEC. 19/30 Chesterfield Twp.	WEATHER
					TEMP.

DESCRIPTION CONTROL POINTS JOB NO.



PERSONNEL	TITLE	PERSONNEL	TITLE	COUNTY	DATE	WEATHER	TEMP.
Tamsic		Boyle			June 11, 197		
Uwser				S. R.			
Granata				SEC.			
Vanyo							

DESCRIPTION LEFT CENTER LINE RIGHT JOB NO.

