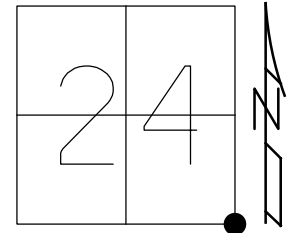


O.D.O.T. DISTRICT 2 SURVEY OFFICE (USE ONLY)

PERSONNEL _____ REFERENCE NO. 43 A SHEET 5 OF 28
 NOTES RHOADES DATE 4/11/17 ROUTE US 20
 H.C. O'DONNELL WEATHER CLOUDY COUNTY FULTON
 R.C. HELDMAN TEMP. 56° TOWNSHIP ROYALTON
 DWG BY NIESE PID NO PID R/W SECTION 24
 T 9 S R 3 E

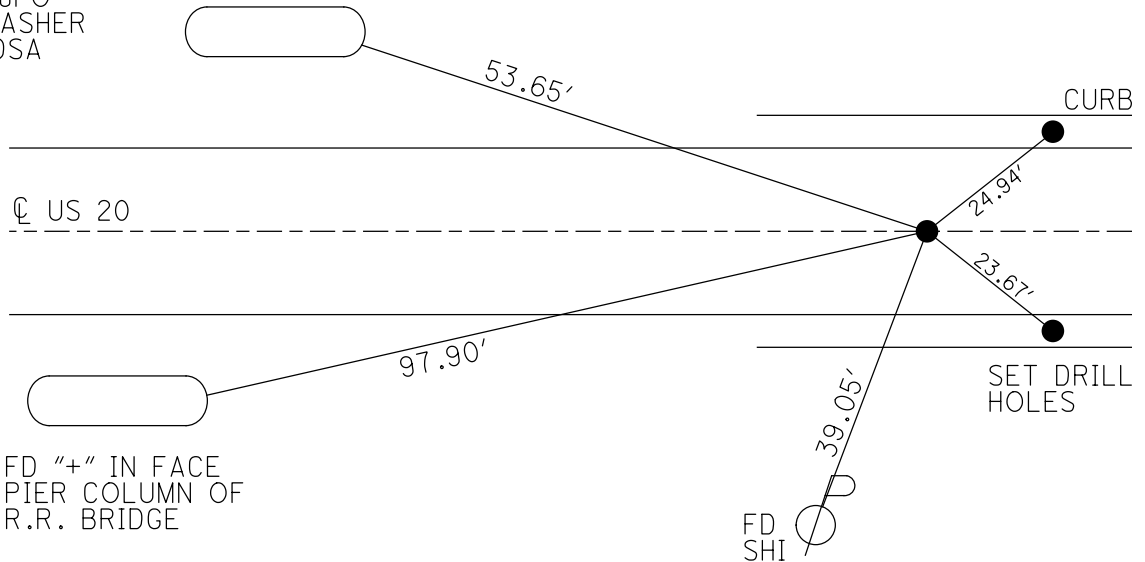
TYPE MONUMENT P.K./WASHER
 ON SURFACE - ~~BELOW~~ ON
 OFFSET ☐ PAVEMENT ON LT : RT
- TO - EDGE PAVEMENT
 STATION: 1150+79.30



HORZ.DATUM: NAD83 2011 GEOID: NAVD88 2018
 GRID: NORTHING: 733696.781 EASTING: 1559484.051

RECORD:
 S.E. COR. SEC. 24
 STA. 1156+62.43
 1932 PLAN
 SET P.K./WASHER
 6/21/01, BVD
 FD P.K./WASHER
 REFA43
 10/13/15, JFO
 4/11/17, JFO
 SET MAG/WASHER
 6/26/18, JFO
 FD MAG/WASHER
 1/14/22, DSA

FD "+" IN FACE
 PIER COLUMN OF
 R.R. BRIDGE

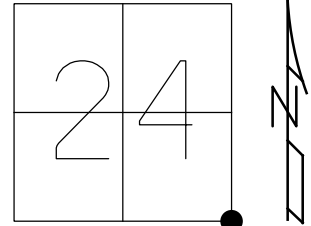


O.D.O.T. DISTRICT 2 SURVEY OFFICE (USE ONLY)

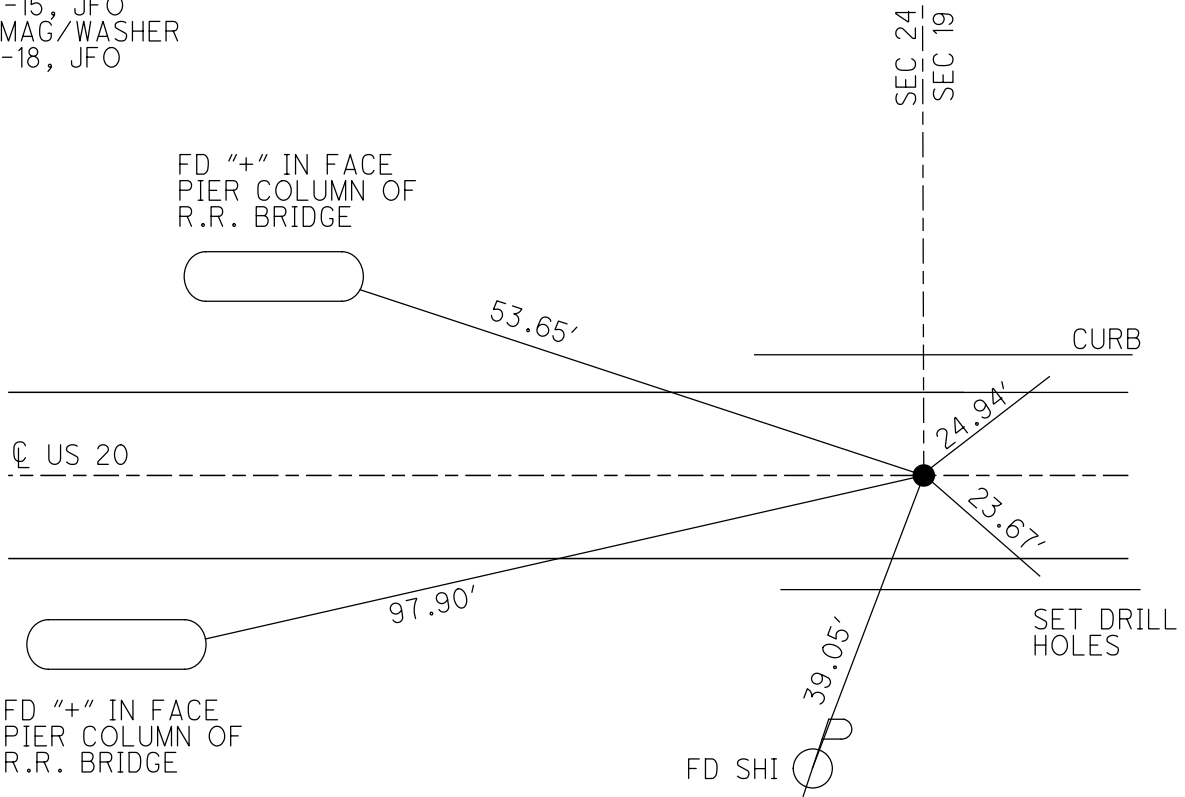
PERSONNEL	REFERENCE NO.	<u>43A</u>	SHEET	<u>5</u>	OF	<u>28</u>
NOTES	RHOADES	DATE	<u>4/11/17</u>	ROUTE	<u>US 20</u>	
H.C.	<u>O'DONNELL</u>	WEATHER	<u>CLOUDY</u>	COUNTY	<u>FULTON</u>	
R.C.	<u>HELDMAN</u>	TEMP.	<u>56°</u>	TOWNSHIP	<u>ROYALTON</u>	
				SECTION	<u>24</u>	
				T	<u>9</u>	R
				S	<u>3</u>	E

TYPE MONUMENT _____ P.K./WASHER _____
 ON SURFACE - ~~BELOW~~ _____ ON _____
~~LEFT~~ - ☉ PAV'T - ~~RIGHT~~ _____ ON _____
 _____ TO _____ EDGE PAVEMENT
 S.L.M. 1150+79.30

GRID: NORTHING: 733696.781 EASTING: 1559484.051



RECORD:
 S.E. COR. SEC. 24
 STA. 1156+62.43
 1932 PLAN
 SET P.K./WASHER
 6-21-01, BVD
 FD P.K./WASHER
 REFA43
 10-13-15, JFO
 SET MAG/WASHER
 6-26-18, JFO



O.D.O.T. DISTRICT 2 SURVEY OFFICE

PERSONNEL _____

REFERENCE NO. 43 A

SHEET 4 OF 27

NOTES HUSS

DATE 7/19/00

ROUTE US 20

H.C. CORDES

WEATHER PT. CLOUDY, FAIR

COUNTY FULTON

R.C. KARGER

TEMP. 72°

TOWNSHIP ROYALTON

SECTION 24

T 9 S R 4 E

TYPE MONUMENT "+" CUT CONC. (P.K./WASHER)

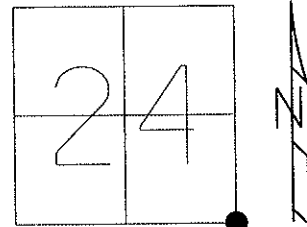
~~ON SURFACE~~ - BELOW BELOW

LEFT - C PAV'T - RIGHT ON

TO EDGE PAVEMENT

S.L.M. 1157+87

Grid: Northing: _____ Easting: _____

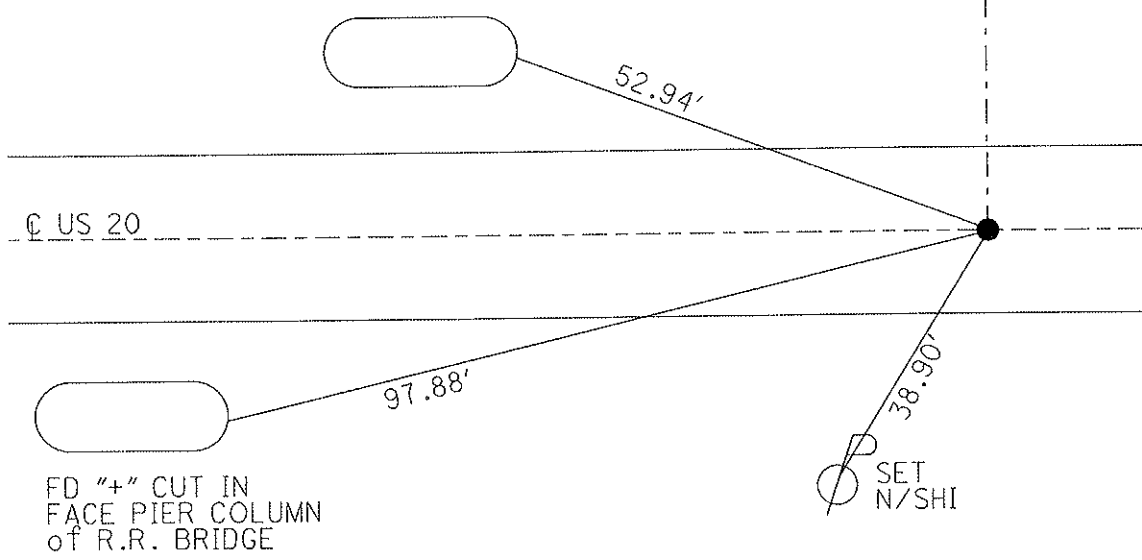


RECORD:
S.E. COR. SEC. 24
STA. 1156+62.43
1932 PLAN

SET P.K./WASHER
6/21/01, BVD

FD "+" CUT IN
FACE PIER COLUMN
of R.R. BRIDGE

SEC. 24
SEC. 19



O.D.O.T. DISTRICT 2 SURVEY OFFICE

PERSONNEL _____

REFERENCE NO. 43-A

SHEET 5 OF 26

NOTES Huss

H.C. Cordes

R.C. Karger

DATE 7-19-00

WEATHER Pt Cldy-Fair

TEMP. +72° F

ROUTE US-20

COUNTY Fulton

TOWNSHIP Royalton

SECTION 24

T9 S R 4 E

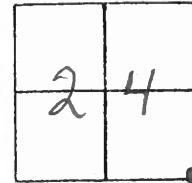
TYPE MONUMENT 4" Cut Conc.

~~ON SURFACE~~ BELOW Below

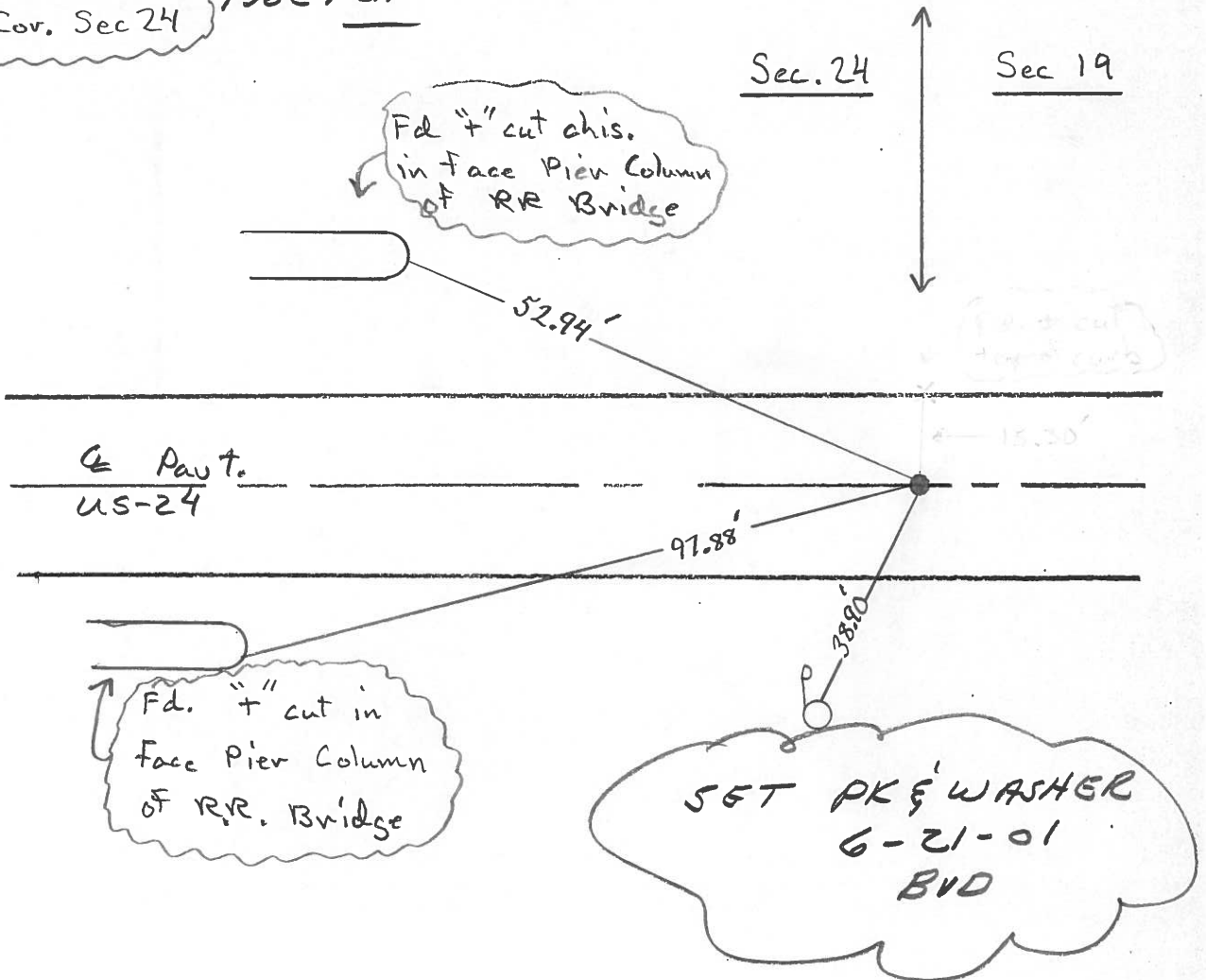
~~VERT. C. PAV'T. - RIGHT~~ & Pav't.

TO EDGE PAVEMENT

S.L.M. 1157+87



Record STA. 1156+62.43
SE Cor. Sec 24 1932 PLAN



O.D.O.T. DISTRICT 2 SURVEY OFFICE

PERSONNEL

REFERENCE NO. 43-A

SHEET 4 OF _____

NOTES D. CURTIS

H.C. J. HOUSEHOLDER

R.C. R. MICHALAK

DATE 4-24-86

WEATHER MILD

TEMP. 45°

ROUTE U.S. #20

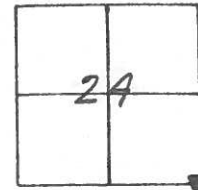
COUNTY FULTON

TOWNSHIP ROYALTON

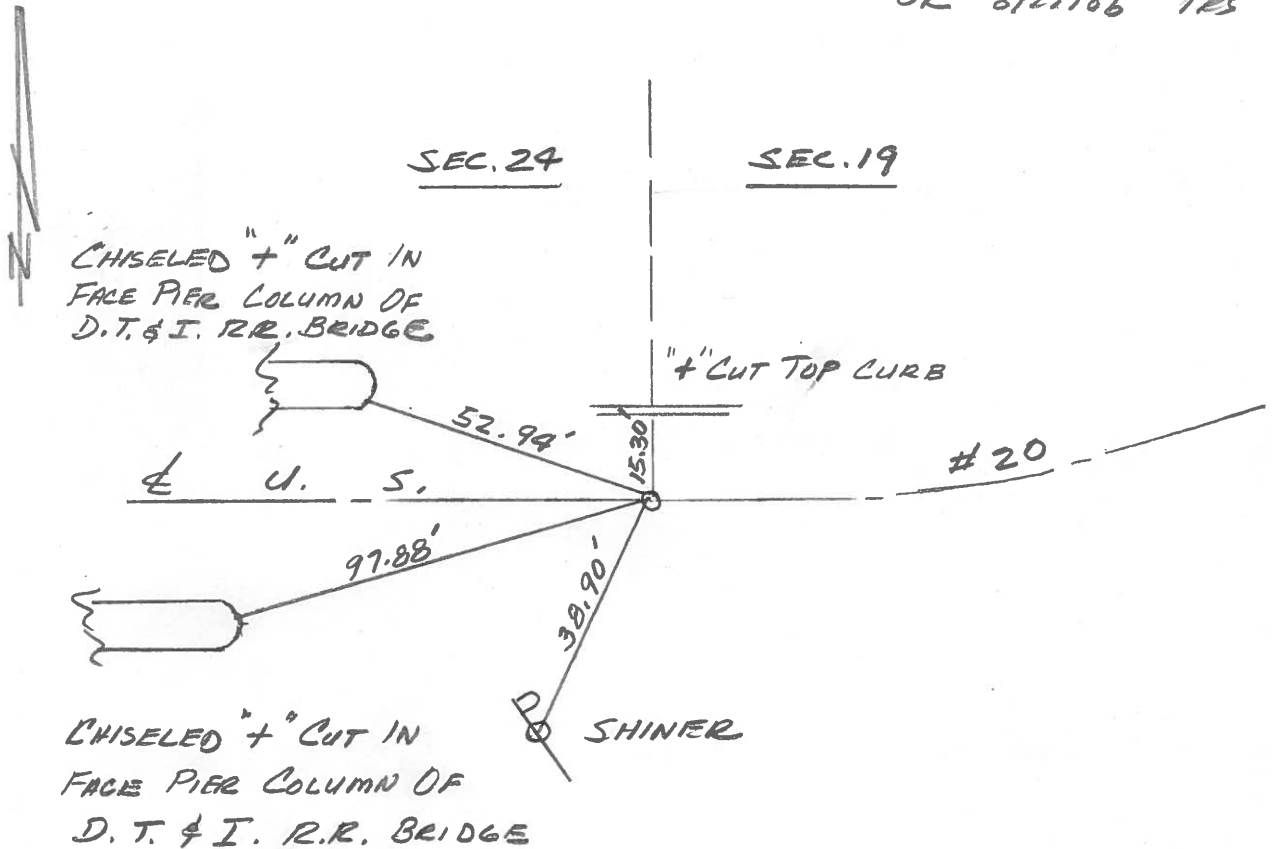
SECTION 24

T. _____ R. _____

TYPE MONUMENT P.K. NAIL
 ON SURFACE - BELOW ON SURFACE
 LEFT - & PAV'T. - RIGHT & PAV'T
 _____ TO _____ EDGE PAVEMENT
 S.L.M. _____



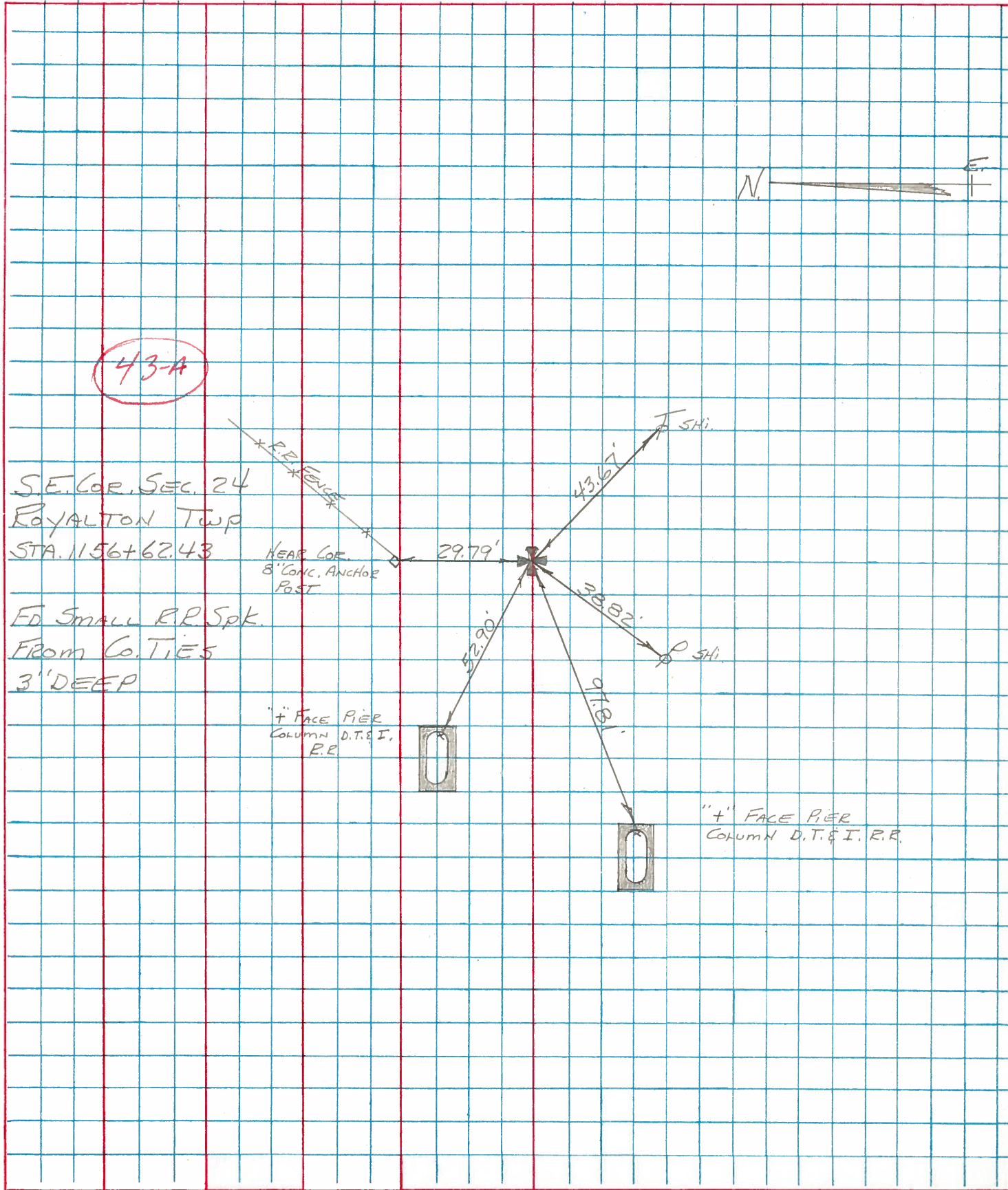
S.E. COR, SEC. 24
OK 8/27/86 1RS



PERSONNEL	TITLE	PERSONNEL	TITLE
BURNSIDE			
SMITH			
BOWERS			
MEAD			

COUNTY FULTON DATE 6-14-74
 S. R. U.S. 20 WEATHER CLEAR
 SEC. 24 Br. 21.91 TEMP. +70°

DESCRIPTION REF. TIES JOB NO. _____



43-A



SE. COR. SEC. 24
 ROYALTON TWP
 STA. 1156+62.43
 ED SMALL RR Spk.
 FROM Co. TIES
 3" DEEP

NEAR COR.
 8" CONC. ANCHOR
 POST

4" FACE PIER
 COLUMN D.T. & I.
 R.R.

4" FACE PIER
 COLUMN D.T. & I.
 R.R.

