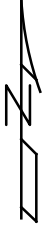
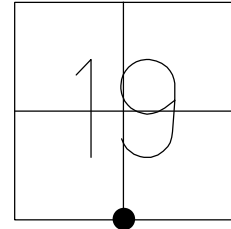


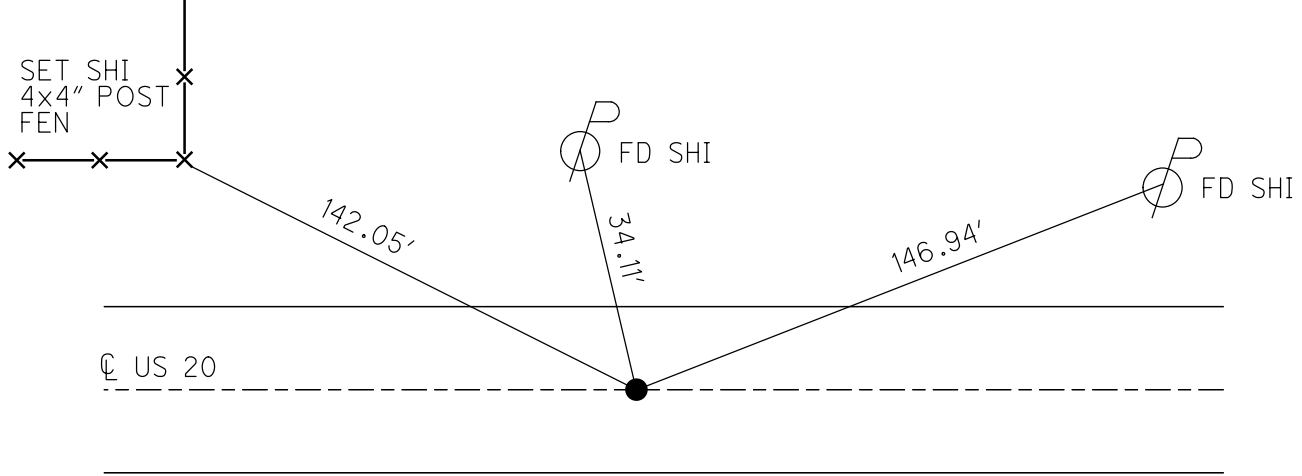
O.D.O.T. DISTRICT 2 SURVEY OFFICE (USE ONLY)

PERSONNEL \_\_\_\_\_ REFERENCE NO. 45 SHEET 9 OF 28  
 NOTES RHOADES DATE 4/11/17 ROUTE US 20  
 H.C. O'DONNELL WEATHER CLOUDY COUNTY FULTON  
 R.C. HELDMAN TEMP. 56° TOWNSHIP AMBOY  
 \_\_\_\_\_ SECTION 19  
 \_\_\_\_\_ T 9 S R 4 E

TYPE MONUMENT \_\_\_\_\_ P.K./WASHER \_\_\_\_\_  
 ON SURFACE - ~~BELOW~~ \_\_\_\_\_ ON \_\_\_\_\_  
~~LEFT~~ - ☉ PAV'T - ~~RIGHT~~ \_\_\_\_\_ ON \_\_\_\_\_  
 \_\_\_\_\_ TO \_\_\_\_\_ EDGE PAVEMENT  
 S.L.M. 1184+77.99  
 GRID: NORTHING: 733748.292 EASTING: 1562874.425



RECORD:  
 S. 1/4 COR. SEC. 19  
 8-27-86  
 SET P.K./WASHER  
 6-22-01, BVD  
 FD P.K./WASHER  
 REF45  
 10-13-15, JFO  
 SET MAG/WASHER  
 6-26-18, JFO



O.D.O.T. DISTRICT 2 SURVEY OFFICE

PERSONNEL \_\_\_\_\_

REFERENCE NO. 45

SHEET 8 OF 27

NOTES HUSS

DATE 7/24/00

ROUTE US 20

H.C. CORDES

WEATHER PT. CLOUDY, FAIR

COUNTY FULTON

R.C. KARGER

TEMP. 74°

TOWNSHIP AMBOY

SECTION 19

T 9 S R 4 E

TYPE MONUMENT SM.R.R.SPIKE

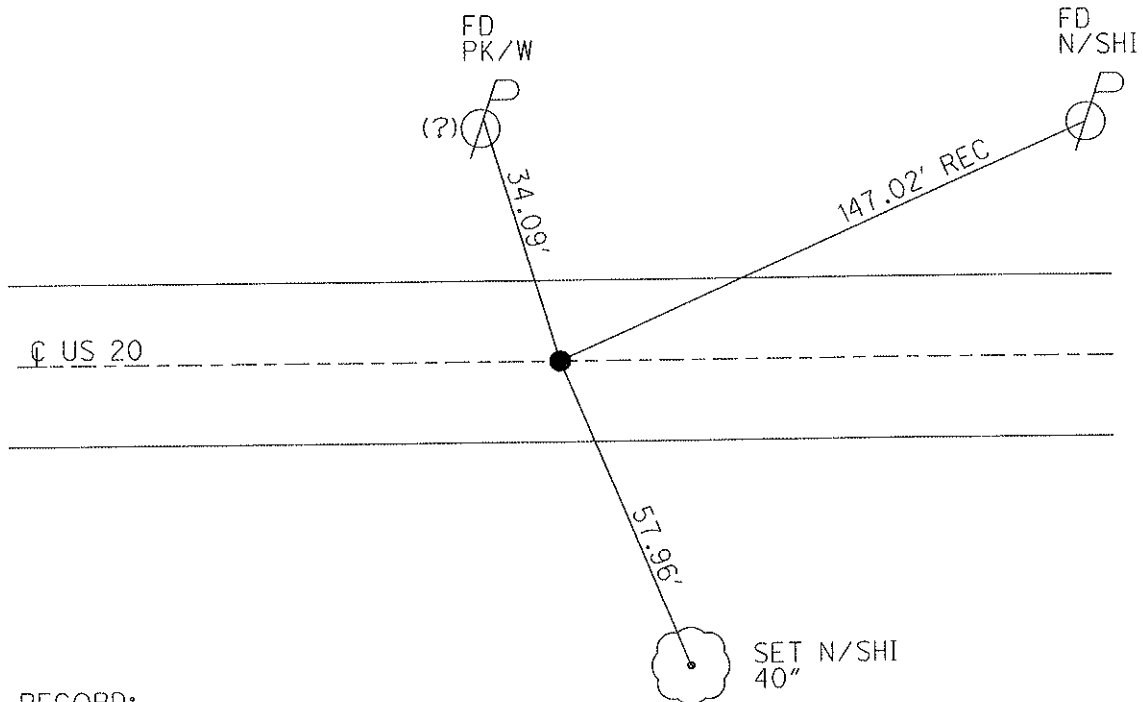
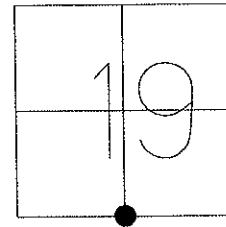
~~ON SURFACE~~ - BELOW 2"

LEFT - C PAV'T - RIGHT ON

11.8' TO LT EDGE PAVEMENT

S.L.M. 1191+75

Grid: Northing: \_\_\_\_\_ Easting: \_\_\_\_\_



RECORD:  
S 1/4 COR. SEC. 19  
8/27/86

SET P.K./WASHER  
6/22/01, BVD

# O.D.O.T. DISTRICT 2 SURVEY OFFICE

PERSONNEL \_\_\_\_\_

REFERENCE NO. 45

SHEET 9 OF 26

NOTES Huss

H.C. Condes

R.C. Ranger

DATE 7-24-00

WEATHER Pt. Cl. - Fair

TEMP. 74°F

ROUTE US-20

COUNTY Fulton

TOWNSHIP Ambroy

SECTION 19

T9 S R 4 E

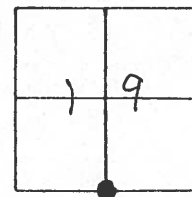
TYPE MONUMENT Sm. RZ Spk

~~ON SURFACE~~ - BELOW 2" Deep

~~11.8' TO LT. EDGE PAV'T.~~ E

11.8' TO LT. EDGE PAVEMENT

S.L.M. 1191 + 75

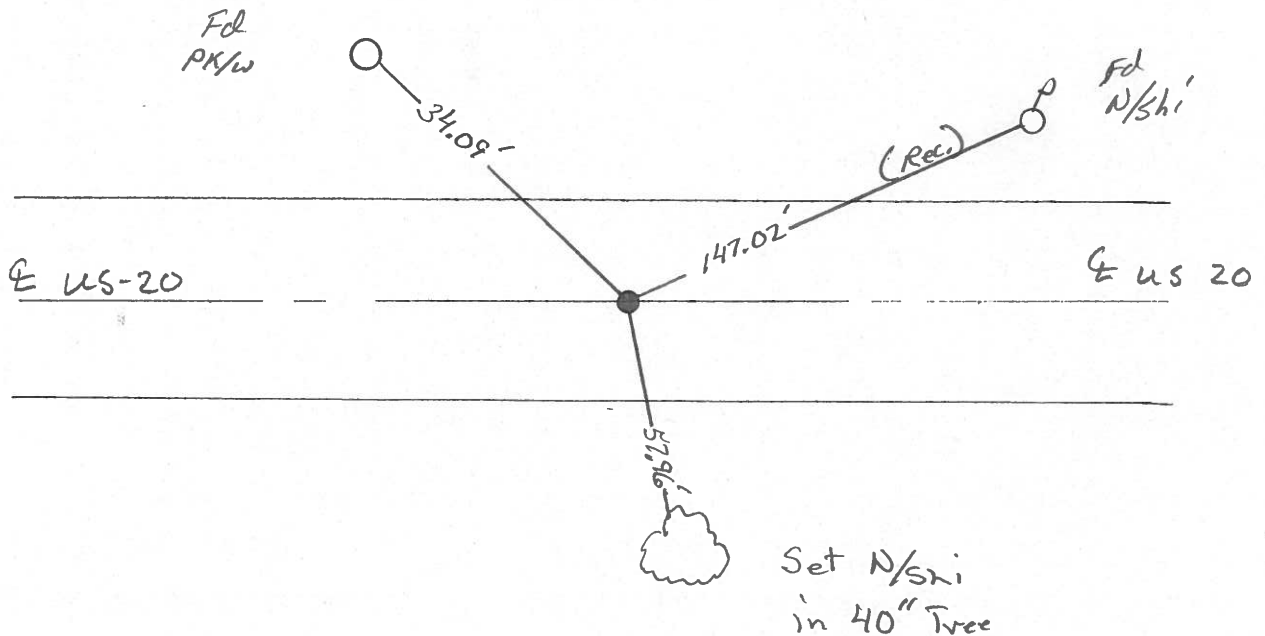


Record

S 1/4 Cor. Sec 19

8-27-86

SET PK & WASHER  
6-22-01  
BVD



O.D.O.T. DISTRICT 2 SURVEY OFFICE

PERSONNEL \_\_\_\_\_ REFERENCE NO. 45 SHEET 8 OF \_\_\_\_\_

NOTES D. CURTIS

H.C. J. HOUSEHOLDER DATE 4-24-86

R.C. R. MICHALAK WEATHER MILD  
 \_\_\_\_\_ TEMP. 55°

ROUTE U.S. #20

COUNTY FULTON

TOWNSHIP AMBOY

SECTION 19

T \_\_\_\_\_ R \_\_\_\_\_

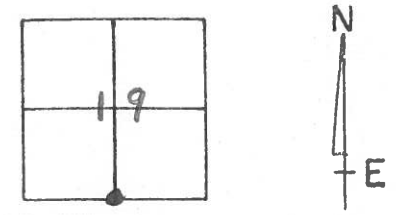
TYPE MONUMENT SM. P.P. SPK.

ON SURFACE - BELOW 2" deep

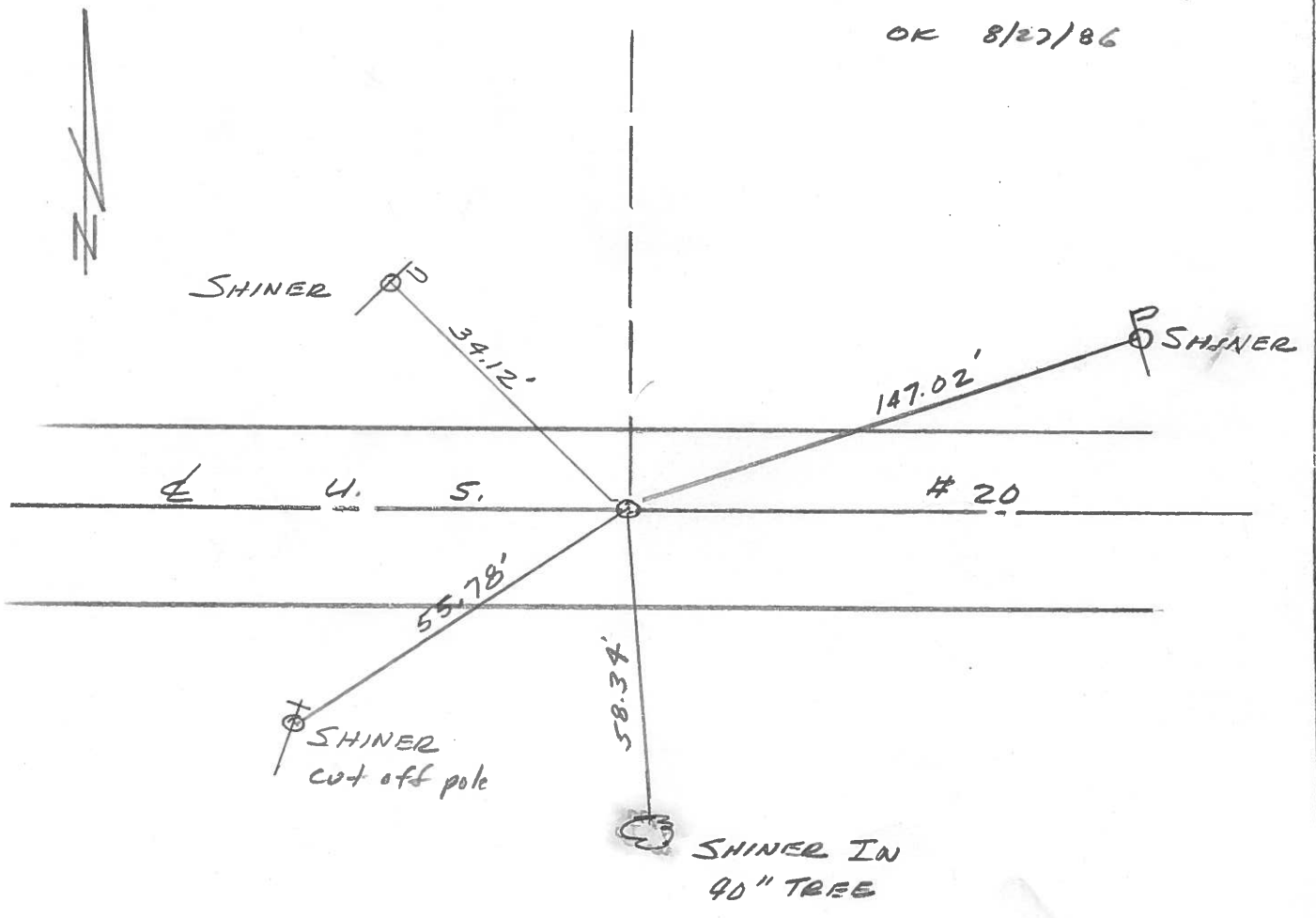
LEFT- & PAW'T. - RIGHT \_\_\_\_\_

TO \_\_\_\_\_ EDGE PAVEMENT 11.8' TO N. EDGE  
12.4' TO S. EDGE

S.L.M. 1192 + 51.30



S 1/4 COR. SEC. 19  
OK 8/27/86



O.D.O.T. DISTRICT 2 SURVEY OFFICE

SHEET 1 OF 3

County Fulton S.R. US#20

Date 14 Sept. 82

Township Ambog

Weather Warm

Section 19

Temp. 88°

T N, R E

Personnel I. Stone

P. Neusen

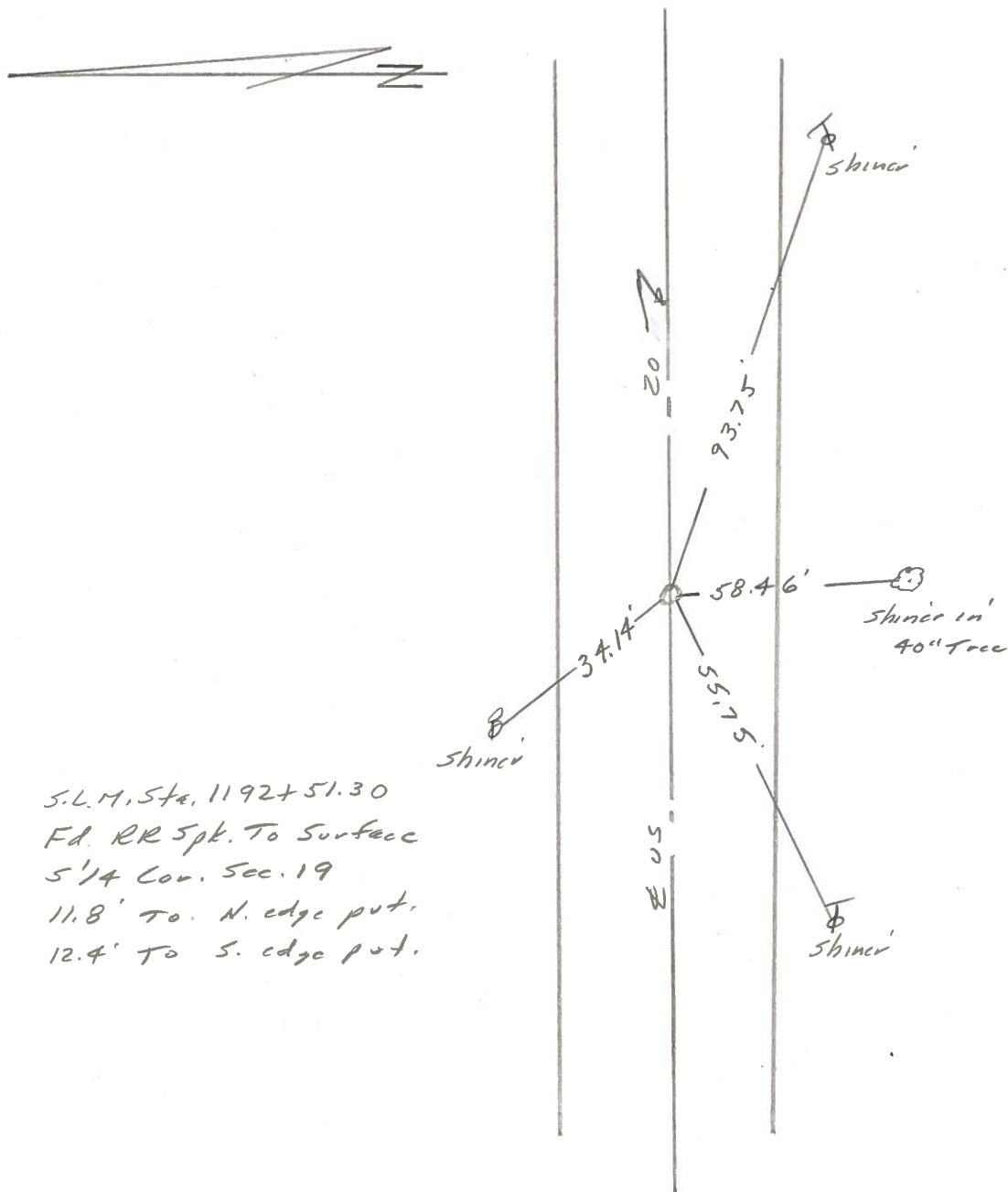
R. Michalak

D. Curtis

45



REF. NO. 45



S.L.M. Sta. 1192+51.30  
Fd. RR Spk. To Surface  
5' 1/4 Cor. Sec. 19  
11.8' To N. edge put.  
12.4' To S. edge put.

OD.O.T. DISTRICT 2 SURVEY OFFICE

Sht. 9 of

County FULTON S.R. US-20

Date 9 MAY 1979

Township AMBOSY

Weather WARM

Section 19

Temp. 80°

T N, R E

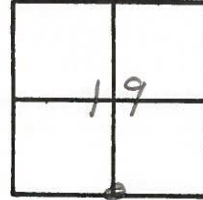
Personnel I. STONE

R. MICHALUK

P. NEUSER

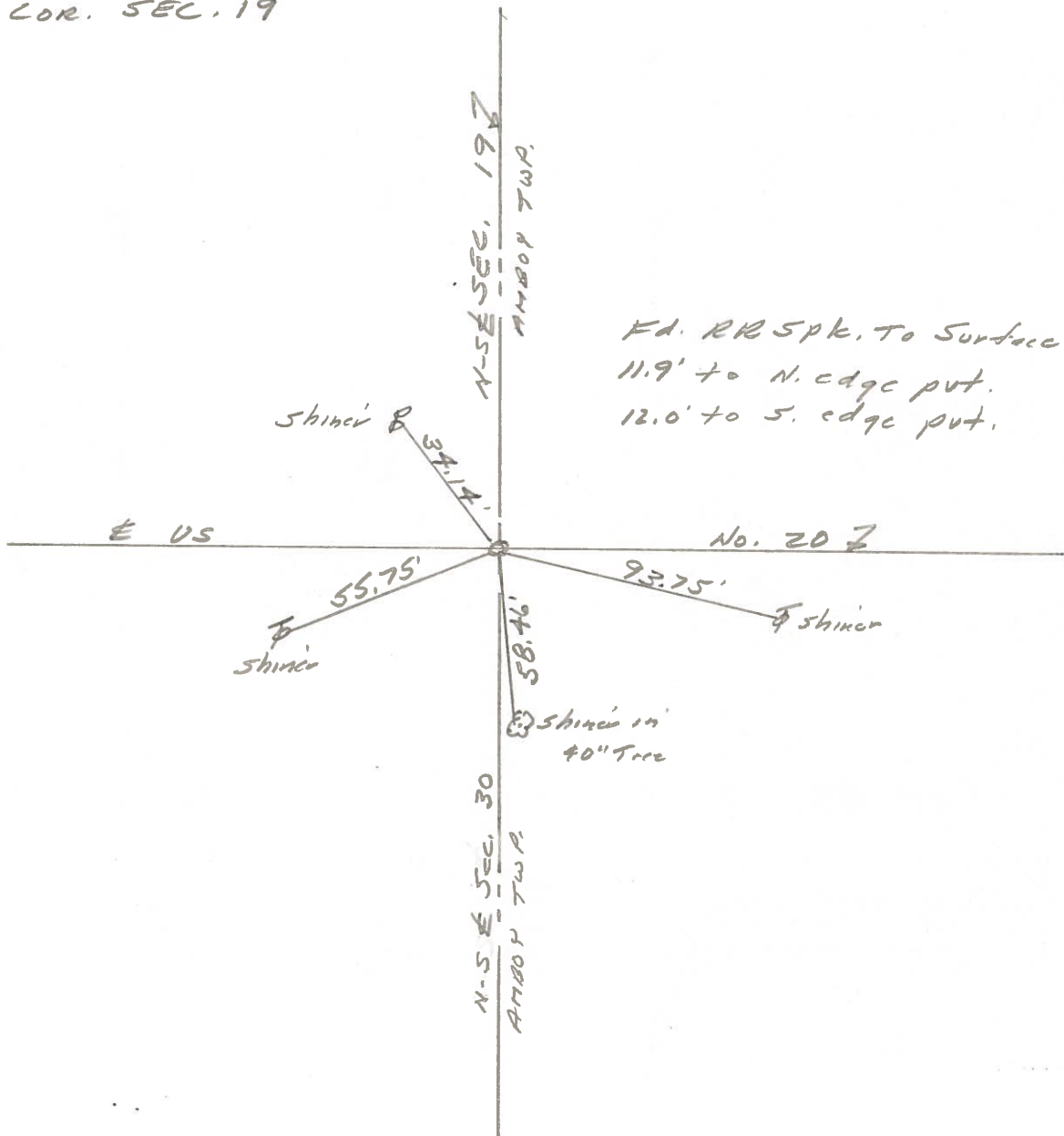
D. CURTIS

D. GRANATH



REF. NO. 45

5 1/4 COR. SEC. 19



PERSONNEL TITLE PERSONNEL TITLE COUNTY Fulton DATE JUNE 20, 1975  
 Tomsic \_\_\_\_\_  
 Neuser \_\_\_\_\_  
 Granata \_\_\_\_\_  
 Vanya \_\_\_\_\_  
 S. R. U.S. 20 WEATHER \_\_\_\_\_  
 SEC. Royalton TWP. TEMP \_\_\_\_\_

