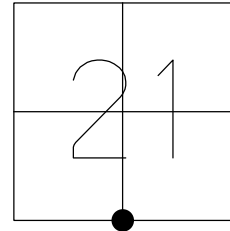


O.D.O.T. DISTRICT 2 SURVEY OFFICE (USE ONLY)

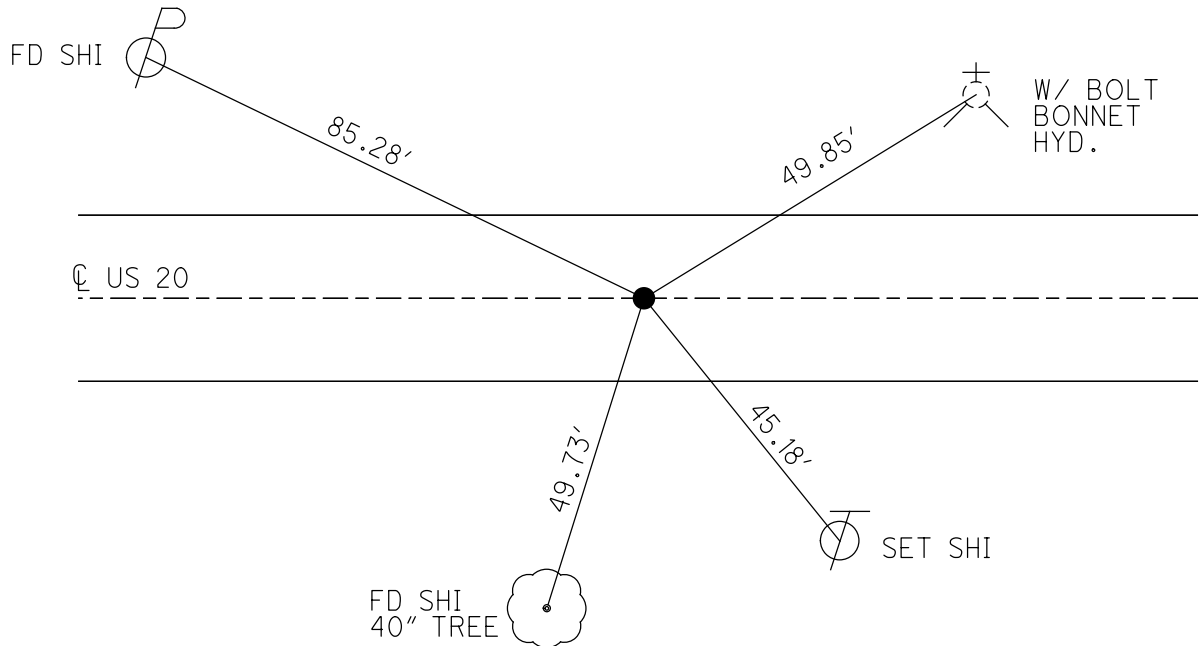
PERSONNEL _____ REFERENCE NO. 48A SHEET 16 OF 28
 NOTES RHOADES DATE 4/11/17 ROUTE US 20
 H.C. O'DONNELL WEATHER CLOUDY COUNTY FULTON
 R.C. HELDMAN TEMP. 56° TOWNSHIP AMBOY
 _____ SECTION 21
 _____ T 9 S R 4 E

TYPE MONUMENT _____ MAG NAIL _____
 ON SURFACE - ~~BELOW~~ _____ ON _____
~~LEFT~~ - ☉ PAV'T - RIGHT _____ 0.6'
 _____ TO _____ EDGE PAVEMENT
 S.L.M. _____ 1289+70.53

GRID: NORTHING: 733743.058 EASTING: 1573366.646



RECORD:
 FD MAG NAIL
 SET BY OTHERS
 6-22-01, BVD
 FD MAG NAIL
 REFA48
 10-14-15, JFO
 SET MAG/WASHER
 6-26-18, JFO



O.D.O.T. DISTRICT 2 SURVEY OFFICE

PERSONNEL

NOTES HUSS
H.C. CORDES
R.C. KARGER

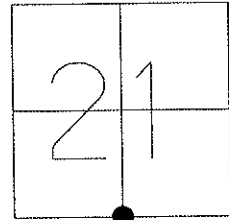
REFERENCE NO. 48 A

DATE 7/24/00
WEATHER PT.CLOUDY, FAIR
TEMP. 76°

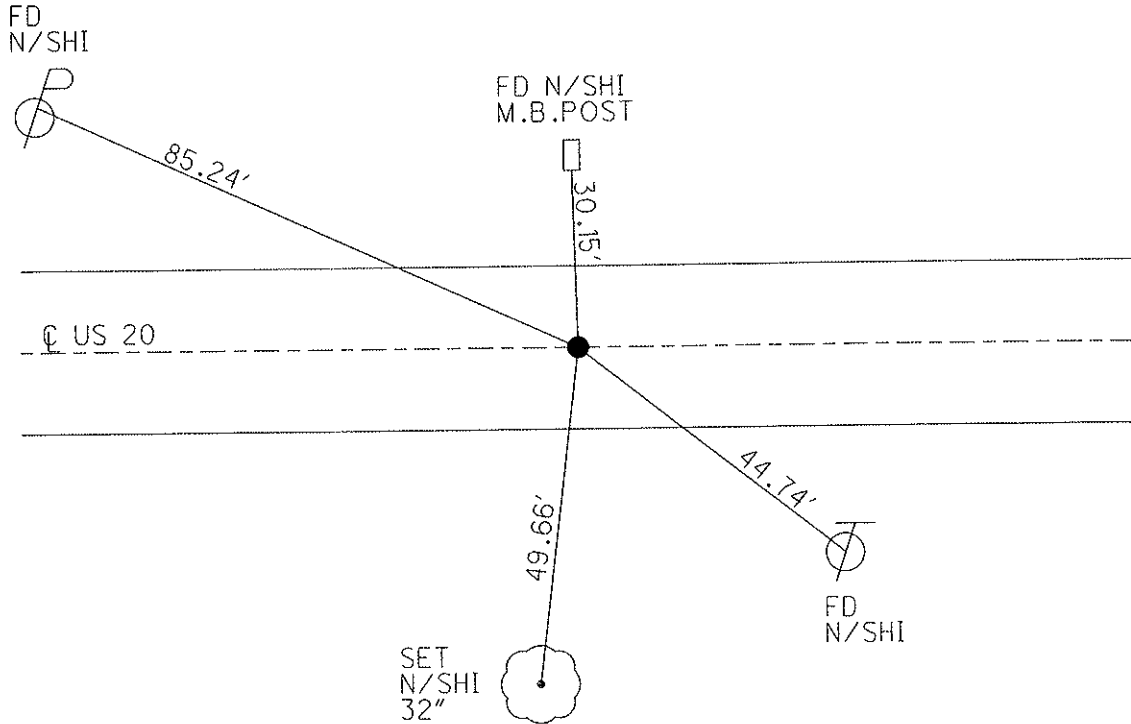
SHEET 15 OF 27

ROUTE US 20
COUNTY FULTON
TOWNSHIP AMBOY
SECTION 21
T 9 S R 4 E

TYPE MONUMENT SM.R.R.SPIKE
~~ON SURFACE~~ - BELOW 2"
~~LEFT~~ - C PAV'T - RIGHT 1'
TO EDGE PAVEMENT
S.L.M. 1297+24
Grid: Northing: _____ Easting: _____



FD MAG NAIL
SET BY OTHERS
6/22/01, BVD



O.D.O.T. DISTRICT 2 SURVEY OFFICE

PERSONNEL

REFERENCE NO. 48-A

SHEET 16 OF 20

NOTES Huss

H.C. Cordes

R.C. Karger

DATE 7-24-00

WEATHER Pt Cldy-Fair

TEMP. +76°F

ROUTE US 20

COUNTY FULTON

TOWNSHIP AMBOY

SECTION 21

T 9 S 4 E

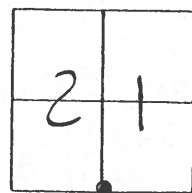
TYPE MONUMENT Small RR. Spt.

~~ON SURFACE~~ - BELOW 2" deep

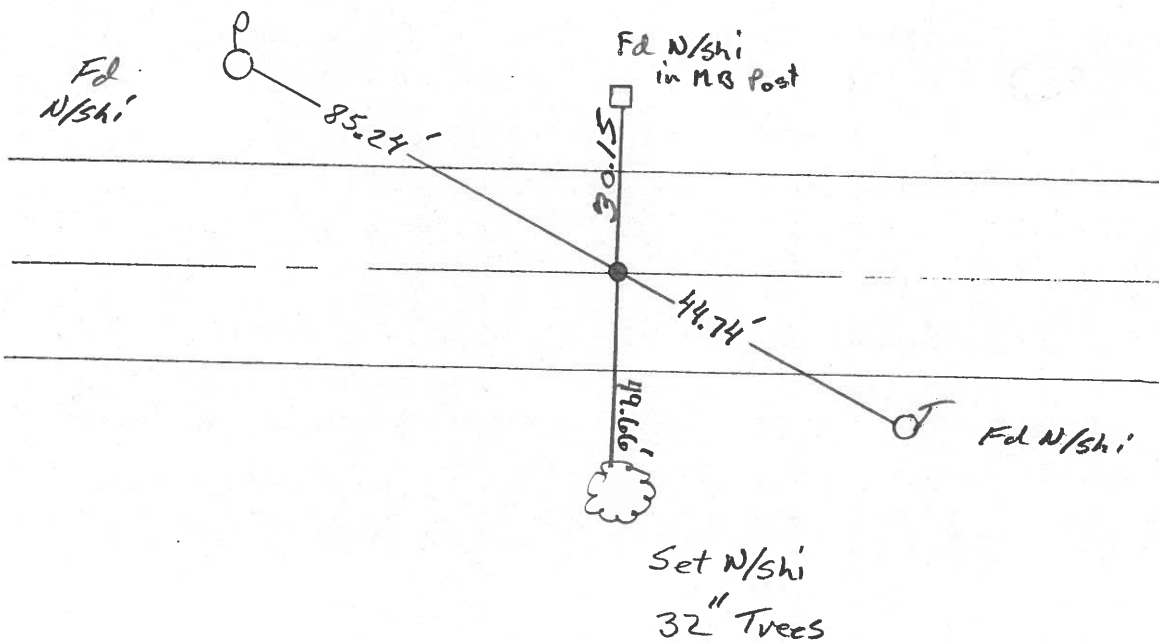
~~LEFT OF PAVT.~~ - RIGHT 1 Ft.

TO EDGE PAVEMENT

S.L.M. 1297 + 24



FD. MAG. NAIL
 SET BY OTHERS
 BVD 6-22-01



O.D.O.T. DISTRICT 2 SURVEY OFFICE

PERSONNEL _____

REFERENCE NO. 48-A

SHEET 15 OF _____

NOTES 1. Stone

H.C. D. Curtis

R.C. J. Houscholder

DATE 2 May 86

WEATHER Cool

TEMP. 38°

ROUTE US #20

COUNTY Fulton

TOWNSHIP Ambog

SECTION 21

T. _____ R. _____

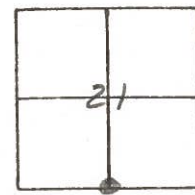
TYPE MONUMENT RR spike

ON SURFACE - BELOW 2" deep

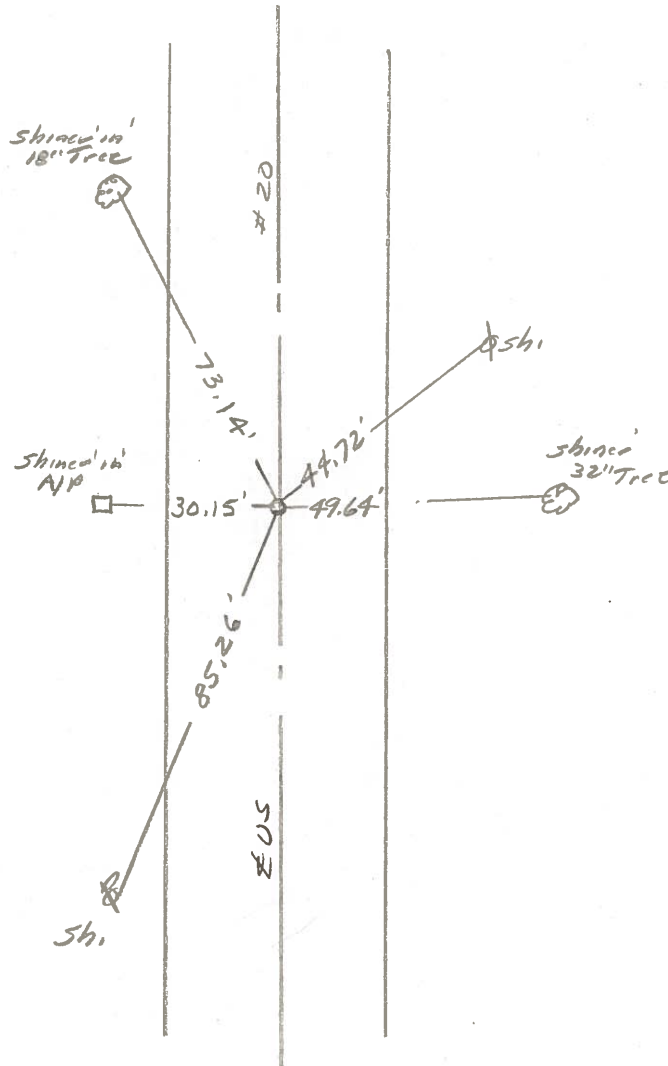
LEFT - & PAV'T. - RIGHT _____

TO _____ EDGE PAVEMENT

S.L.M. 1296 +52



OK 8/27/86 IRS



O.D.O.T. DISTRICT 2 SURVEY OFFICE

Sht. 16 of

County FULTON S.R. US#223

Date 10 May 1979

Township AMBOY

Weather Woods

Section 21

Temp. 79°

T N, R E

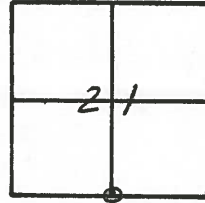
Personnel I. Stone

R. Michalak

P. Neuser

D. Curtis

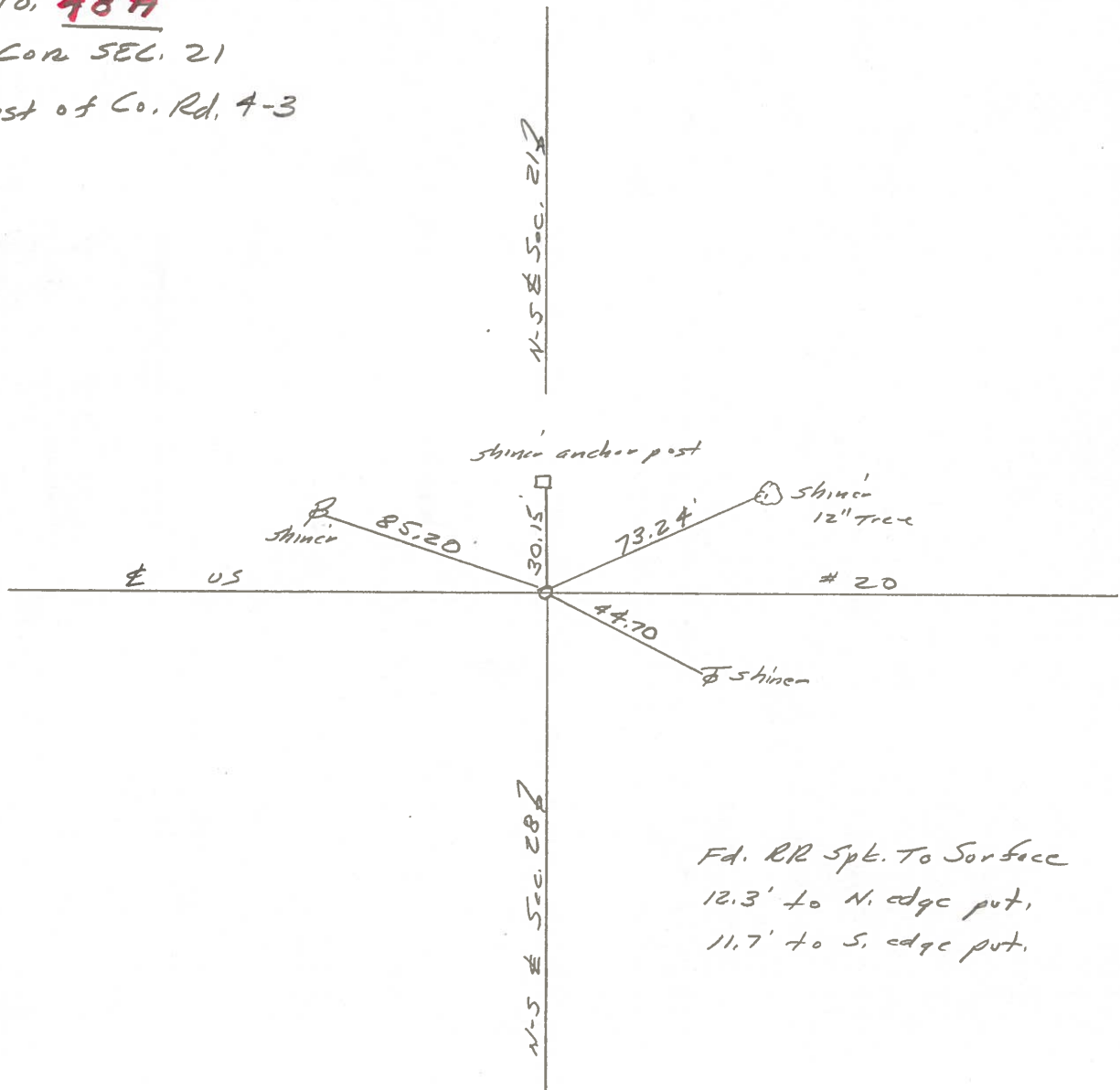
D. Granata



REF. NO. 48A

5/4 COR SEC. 21

1/4 East of Co. Rd. 4-3



Fd. RR Spk. To Surface
 12.3' to N. edge put,
 11.7' to S. edge put.

PERSONNEL	TITLE	PERSONNEL	TITLE
Tomsic			
Granata			
Vanyo			
Boyle			

COUNTY Fulton DATE Aug. 29, 19
 S. R. U.S. 20 WEATHER _____
 SEC. AMBOY Twp. TEMP. _____

DESCRIPTION _____ LEFT _____ CENTER LINE _____ RIGHT _____ JOB NO. _____

