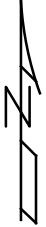
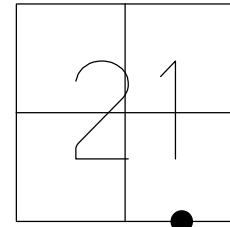


O.D.O.T. DISTRICT 2 SURVEY OFFICE (USE ONLY)

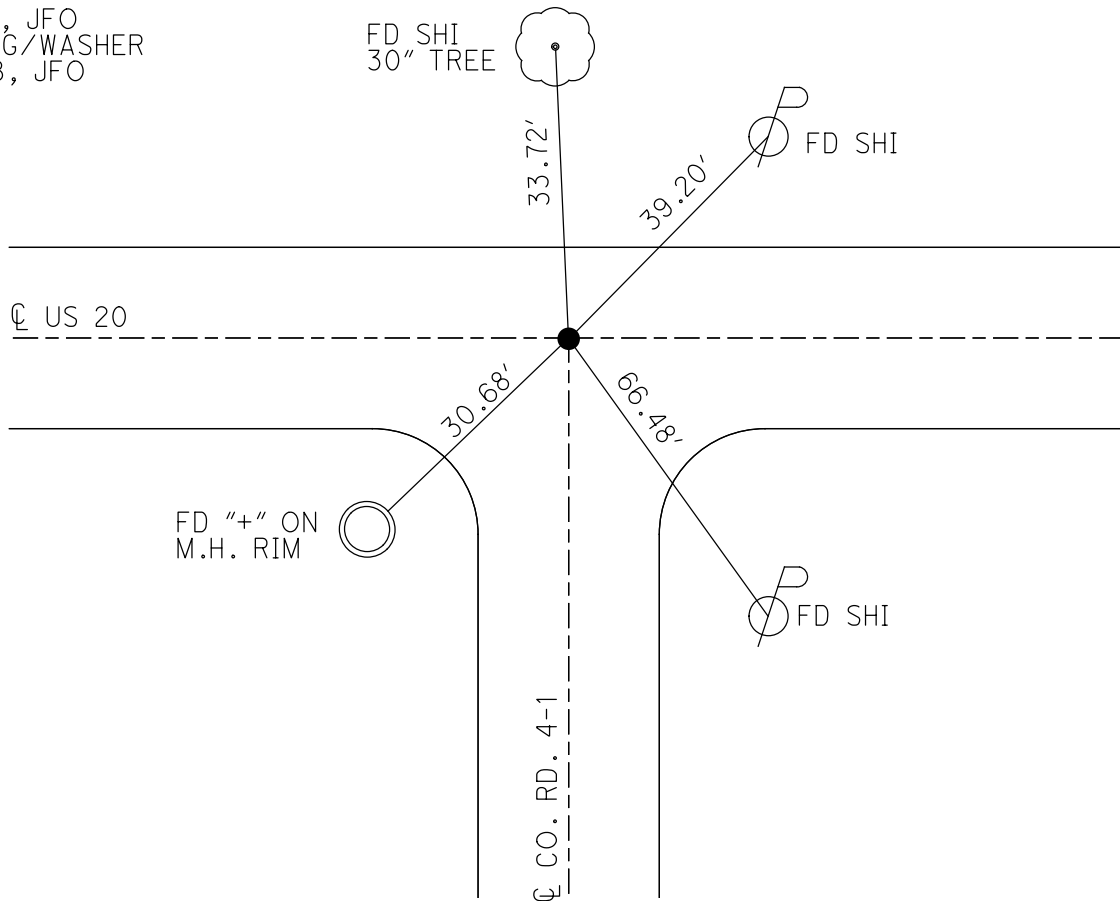
PERSONNEL	REFERENCE NO.	49	SHEET	17	OF	28
NOTES	RHOADES	DATE	4/12/17	ROUTE	US 20	
H.C.	O'DONNELL	WEATHER	FAIR	COUNTY	FULTON	
R.C.	HELDMAN	TEMP.	46°	TOWNSHIP	AMBOY	
				SECTION	21	
				T	9	S
				R	4	E

TYPE MONUMENT _____ MAG NAIL _____
 ON SURFACE - ~~BELOW~~ _____ ON _____
 LEFT - ☉ PAV'T - ~~RIGHT~~ _____ 0.6'
 _____ 11.7' TO LT EDGE PAVEMENT
 S.L.M. _____ 1302+76.54

GRID: NORTHING: 733782.222 EASTING: 1574672.074



RECORD:
 FD MAG NAIL
 SET BY OTHERS
 6-22-01, BVD
 FD MAG NAIL
 REF49
 9-15-15, JFO
 SET MAG/WASHER
 6-25-18, JFO



O.D.O.T. DISTRICT 2 SURVEY OFFICE

PERSONNEL _____

REFERENCE NO. 49

SHEET 16 OF 27

NOTES HUSS

DATE 7/24/00

ROUTE US 20

H.C. CORDES

WEATHER PT.CLOUDY, FAIR

COUNTY FULTON

R.C. KARGER

TEMP. 76°

TOWNSHIP AMBOY

SECTION 21

T 9 S R 4 E

TYPE MONUMENT P.K.NAIL

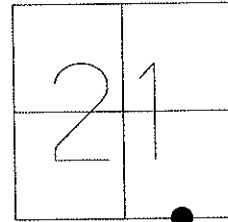
ON SURFACE - ~~BELOW~~ ON

LEFT - C PAV'T - RIGHT ON

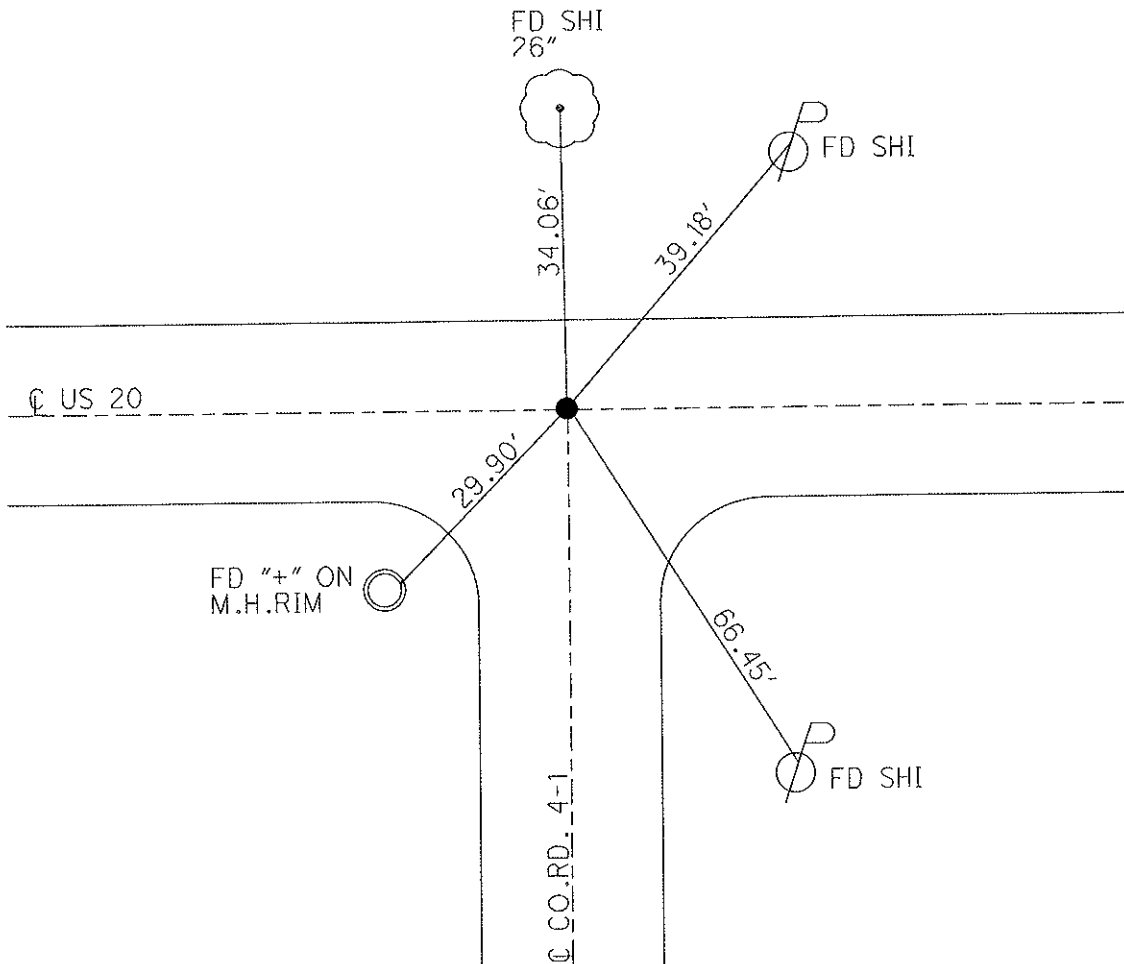
11.7' TO LT EDGE PAVEMENT

S.L.M. 1310+37

Grid: Northing: _____ Easting: _____



FD MAG NAIL
SET BY OTHERS
6/22/01, BVD



O.D.O.T. DISTRICT 2 SURVEY OFFICE

PERSONNEL _____

REFERENCE NO. 49

SHEET 17 OF 26

NOTES Huss

H.C. Cordes

R.C. Karger

DATE 7-24-00

WEATHER Prtly. Cldy - Fair

TEMP. 76° F

ROUTE US-20

COUNTY Fulton

TOWNSHIP Amboy

SECTION 21

T 9 S R 4 E

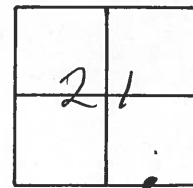
TYPE MONUMENT PK NAIL

ON SURFACE - BELOW Surface

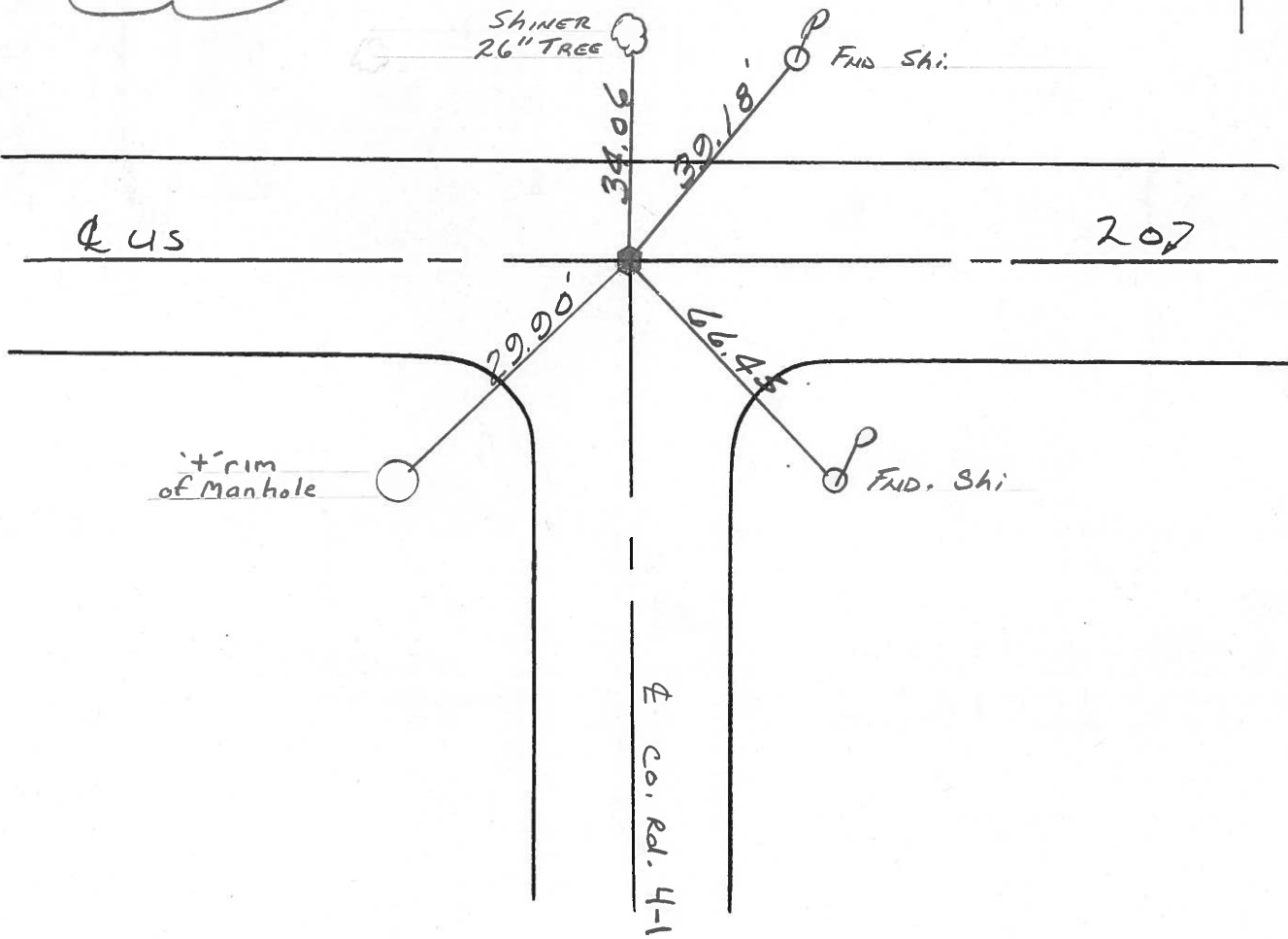
LEFT - & PAW'T. - RIGHT & Pymt.

11.7' TO LT. EDGE PAVEMENT

S.L.M. 1310+37



FD. MAG. NAIL
SET BY OTHERS
6-22-01
BVD



REDRAWN 12-7-00
TR

O.D.O.T. DISTRICT 2 SURVEY OFFICE

PERSONNEL _____

REFERENCE NO. 49

SHEET 16 OF _____

NOTES 1. Stone

H.C. D. Curtis

R.C. T. Householder

DATE 2 May 86

WEATHER Cool

TEMP. 38°

ROUTE US # 20

COUNTY Fulton

TOWNSHIP Ambog

SECTION _____

T _____ R _____

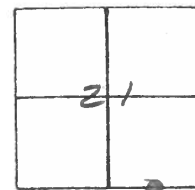
TYPE MONUMENT PK Nail

ON SURFACE - BELOW Surface

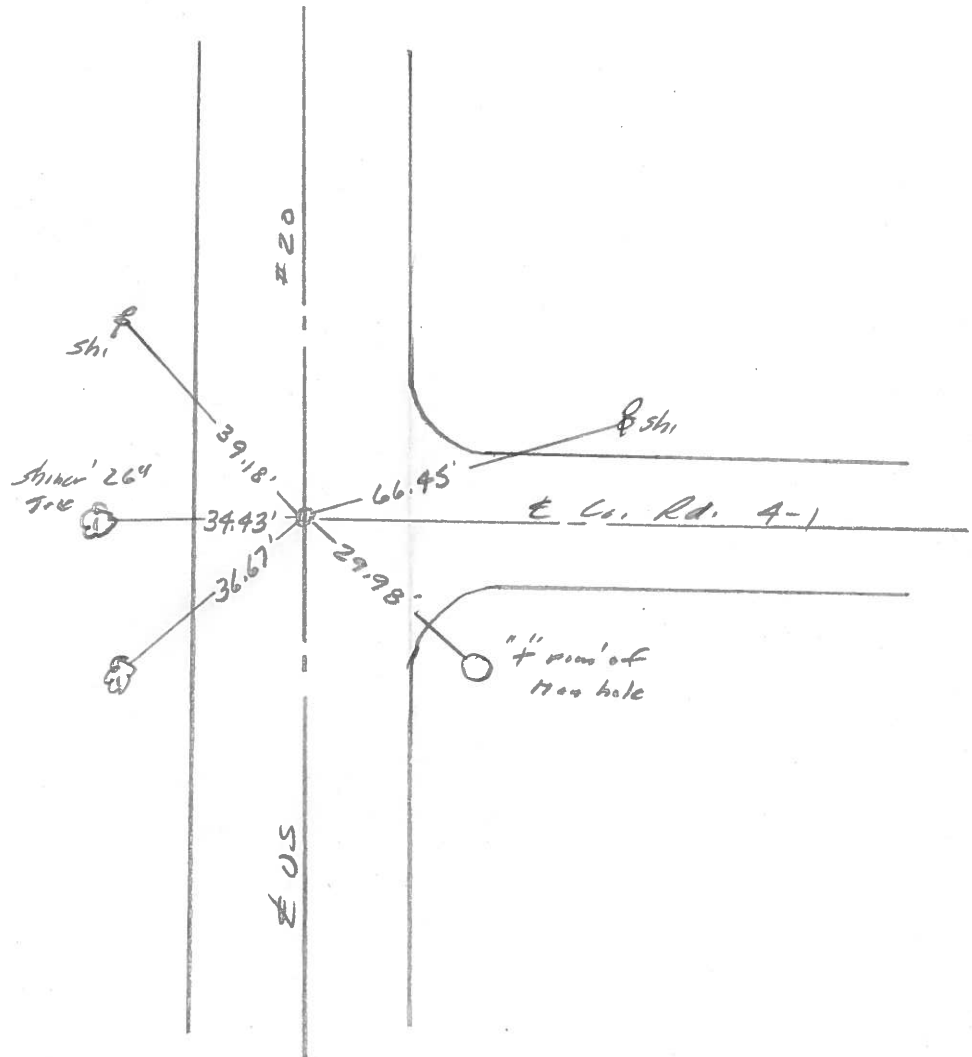
LEFT - \odot PAV'T. - RIGHT _____

TO _____ EDGE PAVEMENT

S.L.M. 1309 + 58



OK 8/27/86



OD.O.T. DISTRICT 2 SURVEY OFFICE

Sht. 12 of

County Fulton S.R. 05#20

Township AMBOS

Section 21

T N, R E

Personnel J. Stone

R. Michalak

P. Newson

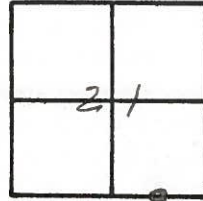
D. Curtis

D. Granata

Date 17 May 1979

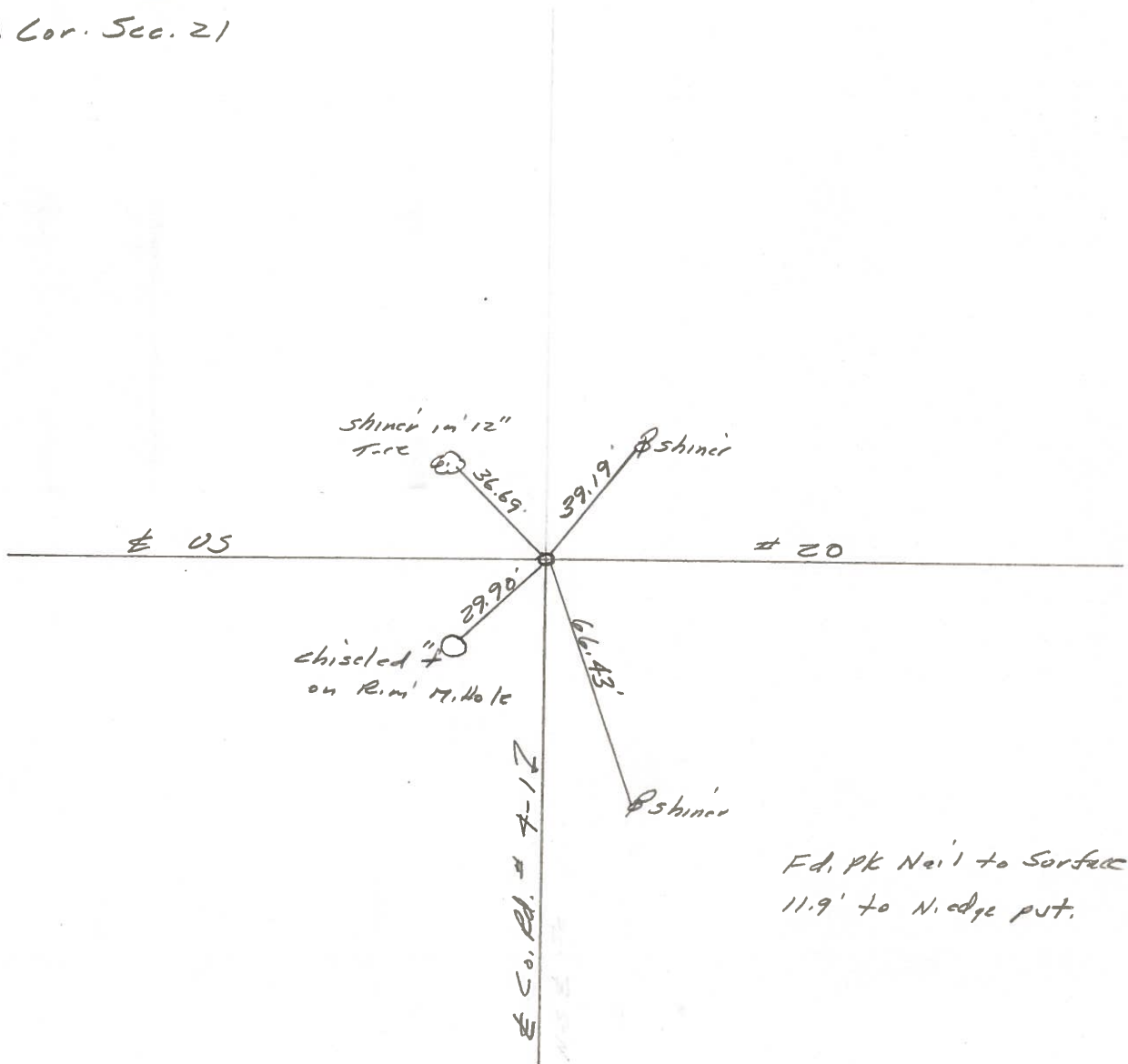
Weather Fair

Temp. 57°



REF. NO. **49**

1/4 1/4 Cor. Sec. 21



PERSONNEL	TITLE	PERSONNEL	TITLE
Tossic			
Granata			
Vandy			
Boyle			

COUNTY Fulton DATE Aug. 29, 1975
 S. R. U.S. 20 WEATHER _____
 SEC. Amboy Twp. TEMP. _____

DESCRIPTION _____ LEFT _____ CENTER LINE _____ RIGHT _____ JOB NO. _____

