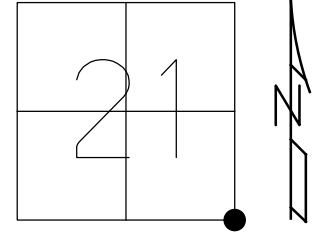


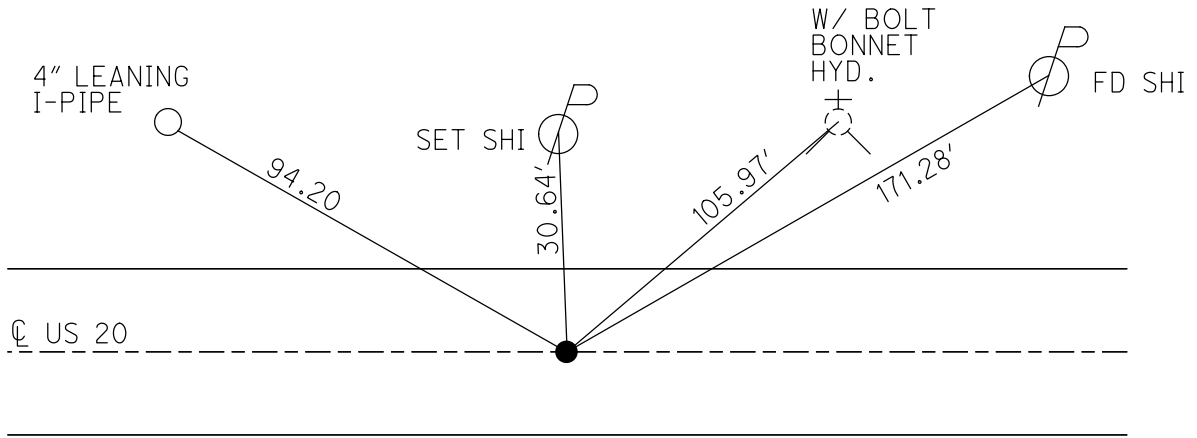
O.D.O.T. DISTRICT 2 SURVEY OFFICE (USE ONLY)

PERSONNEL _____ REFERENCE NO. 50 SHEET 18 OF 28
 NOTES RHOADES _____ DATE 4/12/17 ROUTE US 20
 H.C. O'DONNELL _____ WEATHER FAIR COUNTY FULTON
 R.C. HELDMAN _____ TEMP. 46° TOWNSHIP AMBOY
 _____ SECTION 21
 _____ T 9 S R 4 E

TYPE MONUMENT _____ SET MAG/WASHER _____
 ON SURFACE - ~~BELOW~~ _____ ON _____
 LEFT - \odot PAV'T - ~~RIGHT~~ _____ 2.6'
9.5' TO LT EDGE PAVEMENT
 S.L.M. 1315+82.52
 GRID: NORTHING: 733821.401 EASTING: 1575977.466



RECORD:
 FD MAG NAIL
 SET BY OTHERS
 6-22-01, BVD
 FD MAG NAIL
 REF50
 9-15-15, JFO
 SET MAG/WASHER
 6-25-18, JFO



O.D.O.T. DISTRICT 2 SURVEY OFFICE

PERSONNEL

REFERENCE NO. 50

SHEET 17 OF 27

NOTES HUSS

DATE 7/24/00

ROUTE US 20

H.C. CORDES

WEATHER PT. CLOUDY, FAIR

COUNTY FULTON

R.C. KARGER

TEMP. 76°

TOWNSHIP AMBOY

SECTION 21,22,27,28

T 9 S R 4 E

TYPE MONUMENT R.R. SPIKE

~~ON SURFACE~~ - BELOW 2"

LEFT - C PAV'T - ~~RIGHT~~ 2.6'

9.5' TO LT EDGE PAVEMENT

S.L.M. 1323+50

Grid: Northing: _____ Easting: _____

21	22
28	27

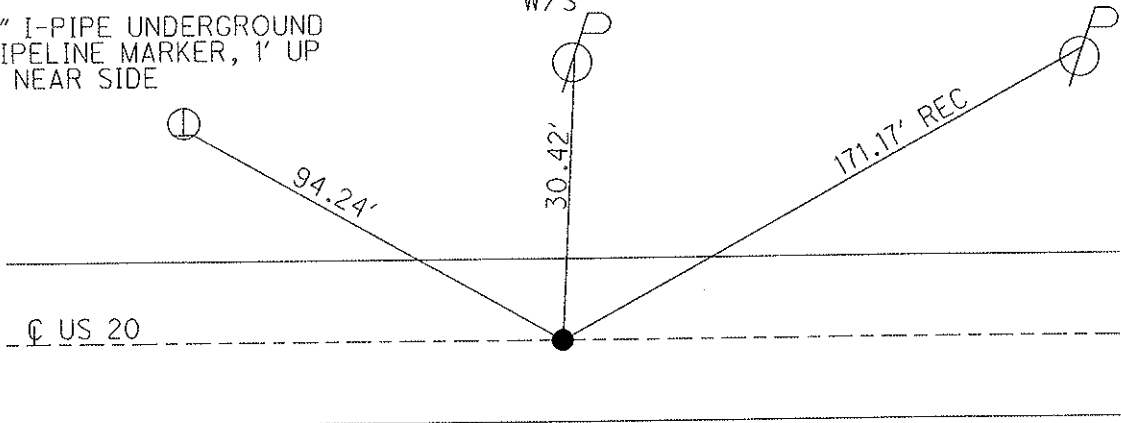


FD MAG NAIL
SET BY OTHERS
6/22/01, BVD

3" I-PIPE UNDERGROUND
PIPELINE MARKER, 1' UP
T NEAR SIDE

SET SHI
W/S

FD N/SHI



O.D.O.T. DISTRICT 2 SURVEY OFFICE

PERSONNEL

REFERENCE NO. 50

SHEET 18 OF 26

NOTES Huss

H.C. Cordes

R.C. Huss

DATE 7-24-00

WEATHER P.tly. Cldy - Fair

TEMP. 76° F

ROUTE US 20

COUNTY FULTON

TOWNSHIP AMBOY

SECTION 21, 22, 27, 28

T 9 S R 4 E

TYPE MONUMENT RR SPK

~~ON SURFACE~~ - BELOW 2" DEEP

LEFT - ~~C PAV'T.~~ - RIGHT 2.6' Lt

9.5' TO Lt EDGE PAVEMENT

S.L.M. 1323 + 50

21	22
28	27

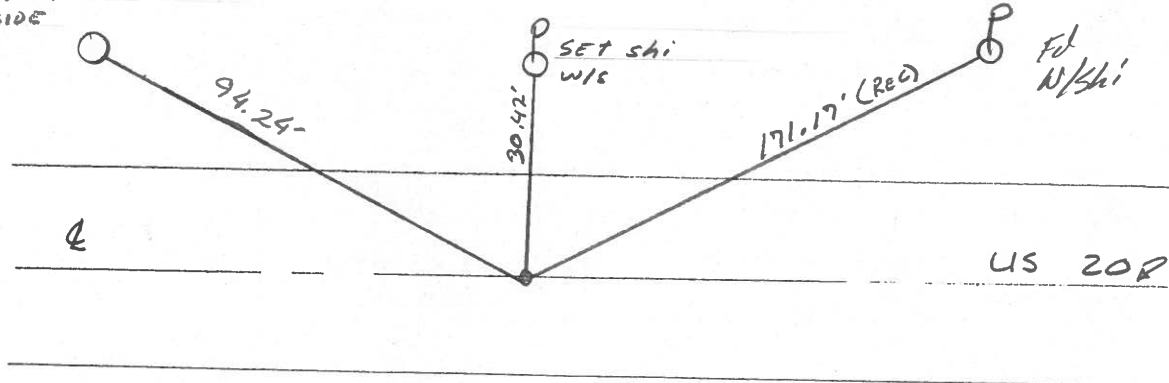


FD. MAG. NAIL
 SET BY OTHERS
 6-22-01
 BVD

OK 8/27/86



3" I-PIPE UNDERGROUND PIPELINE
 MARKER 1' UP FROM
 T/HEAR SIDE



REDRAWN 12-7-00
 TR

O.D.O.T. DISTRICT 2 SURVEY OFFICE

PERSONNEL _____

REFERENCE NO. 50

SHEET 17 OF _____

NOTES 1. Stone

H.C. B. Curtis

R.C. J. Householder

DATE 2 May 86

WEATHER Cool

TEMP. 38°

ROUTE US#20

COUNTY Fulton

TOWNSHIP Amboyn

SECTION 21-22-27-28

T _____ R _____

TYPE MONUMENT RR Spki

ON SURFACE - BELOW 2" deep

LEFT - & PAW'T. - RIGHT _____

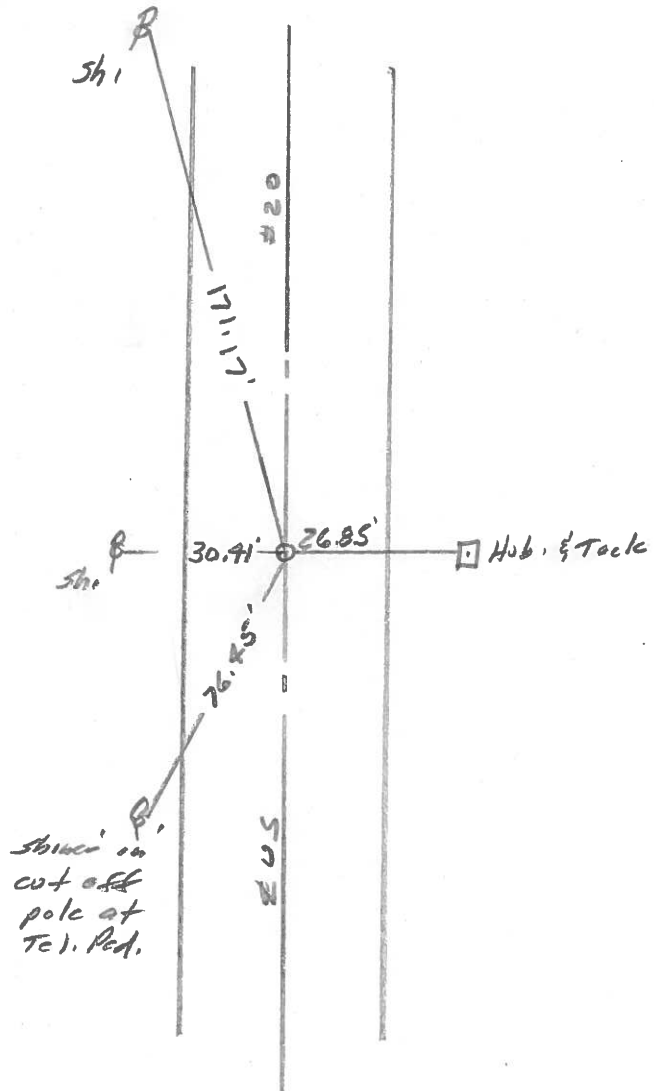
TO _____ EDGE PAVEMENT

S.L.M. 1322 +65

21	22
28	27



OK 8/27/86



OD.O.T. DISTRICT 2 SURVEY OFFICE

Sht. 18 of

County Fulton US # 20

Date 14 May 79

Township AMB04

Weather Fair

Section 21

Temp. 60°

T N, R E

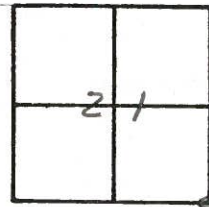
Personnel L. Stone

R. Michalak

P. Neuser

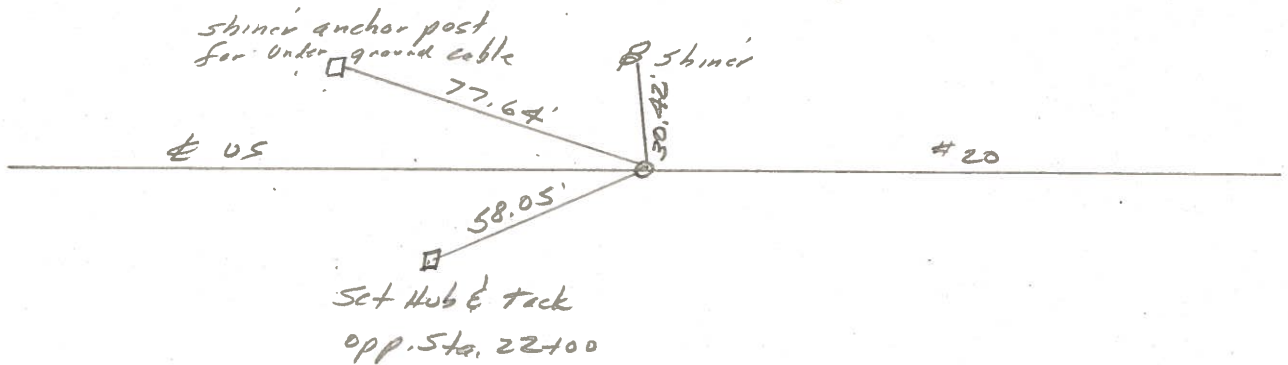
D. Curtis

D. Grenatg



REF. No. 50

SE Cor. Sec. 21



Fd. RR Spk. To Surface
 9.9' to N. edge post,
 13.0' to S. edge post.

PERSONNEL	TITLE	PERSONNEL	TITLE	COUNTY	DATE	WEATHER	TEMP.
Toussic				Fulton	Aug. 29, 1975		
Granata				U.S. 20			
Vanyo							
Boyle				Amador Twp.			

DESCRIPTION _____ LEFT _____ CENTER LINE _____ RIGHT _____ JOB NO. _____

