

O.D.O.T. DISTRICT 2 SURVEY OFFICE (USE ONLY)

PERSONNEL

REFERENCE NO. 16 A

SHEET 45 OF 59

NOTES RHOADES

DATE 7/14/22

ROUTE SR 64

H.C. NIESE

WEATHER HAZE

COUNTY FULTON

R.C. WHITAKER

TEMP. 74°

TOWNSHIP FULTON

SECTION 26

DWG BY RHOADES

PID PAVETRAIN

T 9 N R 4 E

TYPE MONUMENT MAG/WASHER

ON SURFACE - ~~BELOW~~ ON

OFFSET Q PAVEMENT 1.8' LT : ~~RT~~

9.5' TO LT EDGE PAVEMENT

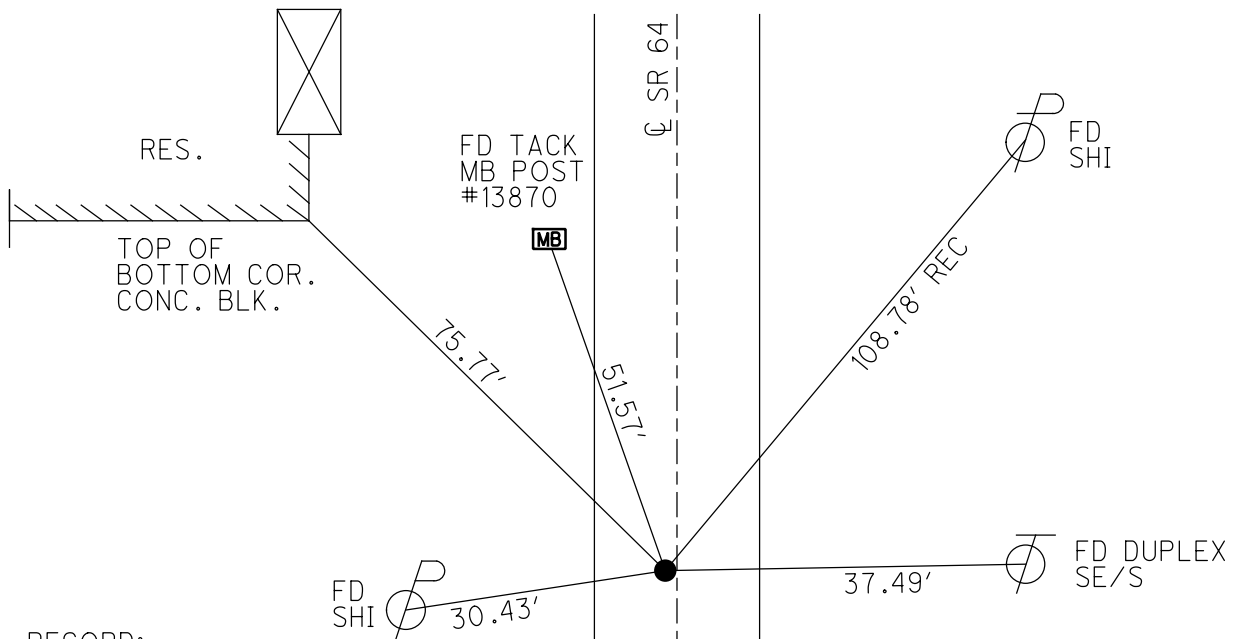
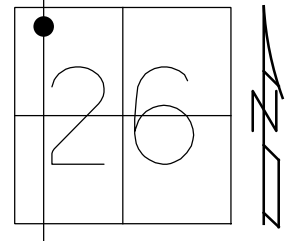
STATION: 393+74.52

HORZ.DATUM: NAD83 2011

GEOID: NAVD88 2018

GRID: NORTHING: 733032.679

EASTING: 1582725.823



RECORD:
 SET P.K./WASHER
 8/18/93
 FD P.K./WASHER
 8/20/08
 REFA16
 9/16/08, SAH
 FD P.K./WASHER
 5/26/10, SAH
 SET MAG/WASHER
 7/29/10, SAH
 FD MAG/WASHER
 REFA16
 8/10/17, JFO
 REFA16
 7/14/22, TDN
 FD MAG/WASHER
 12/29/22, TDN

O.D.O.T. DISTRICT 2 SURVEY OFFICE (USE ONLY)

PERSONNEL

REFERENCE NO. 16 A

SHEET 45 OF 59

NOTES RHOADES

DATE 8/10/17

ROUTE SR 64

H.C. O'DONNELL

WEATHER SUNNY

COUNTY FULTON

R.C. RHOADES

TEMP. 71°

TOWNSHIP AMBOY

SECTION 26

DWG BY NIESE PID 101213

T 9 S R 4 E

TYPE MONUMENT MAG/WASHER

ON SURFACE - ~~BELOW~~ ON

OFFSET \odot PAVEMENT 1.8' LT : ~~RT~~

9.5' TO LT EDGE PAVEMENT

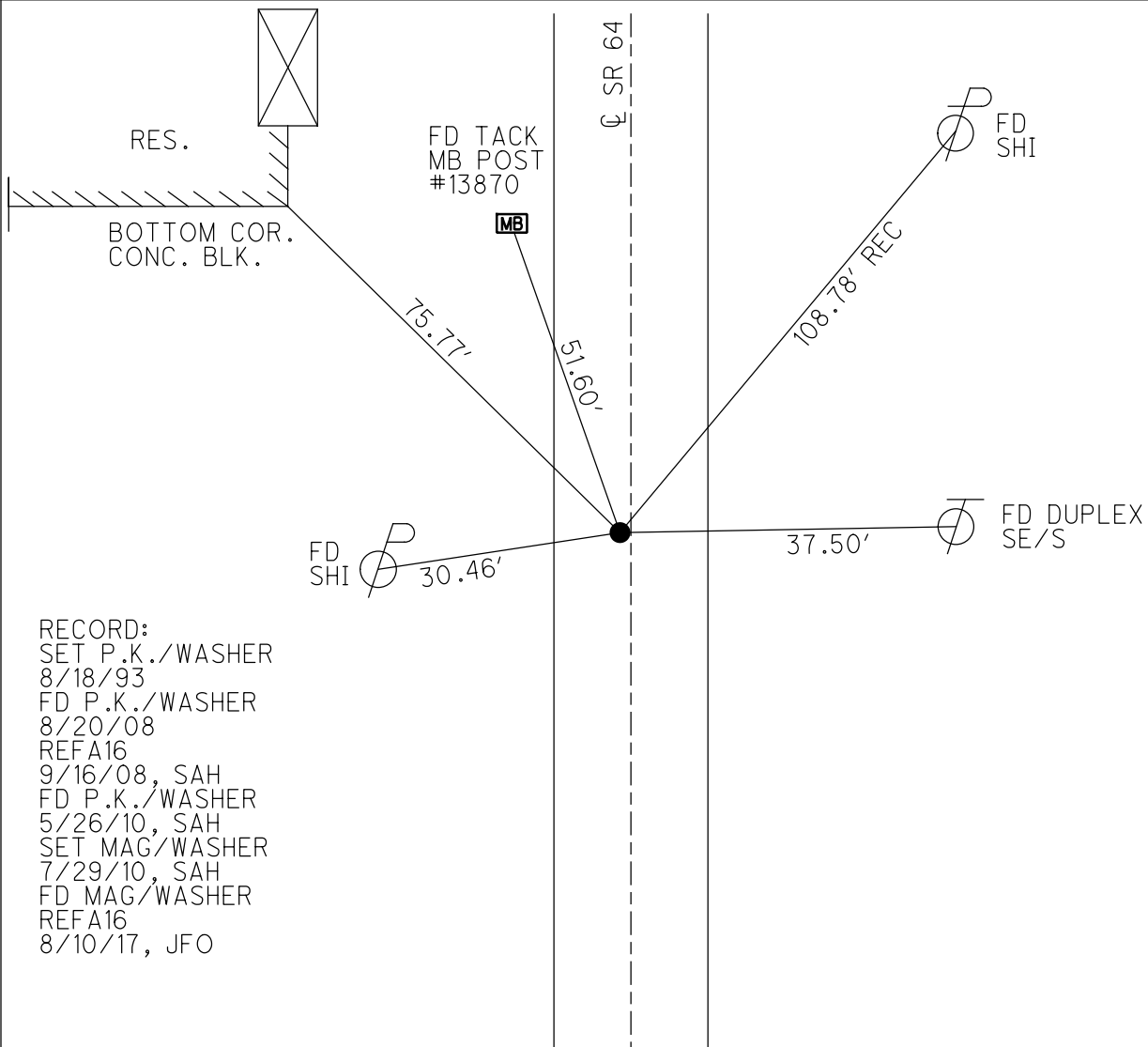
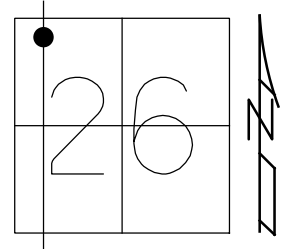
STATION: 393+74.52

HORZ.DATUM: NAD83(2011)

GEOID: NAVD88 2012A

GRID: NORTHING: 733032.679

EASTING: 1582725.823

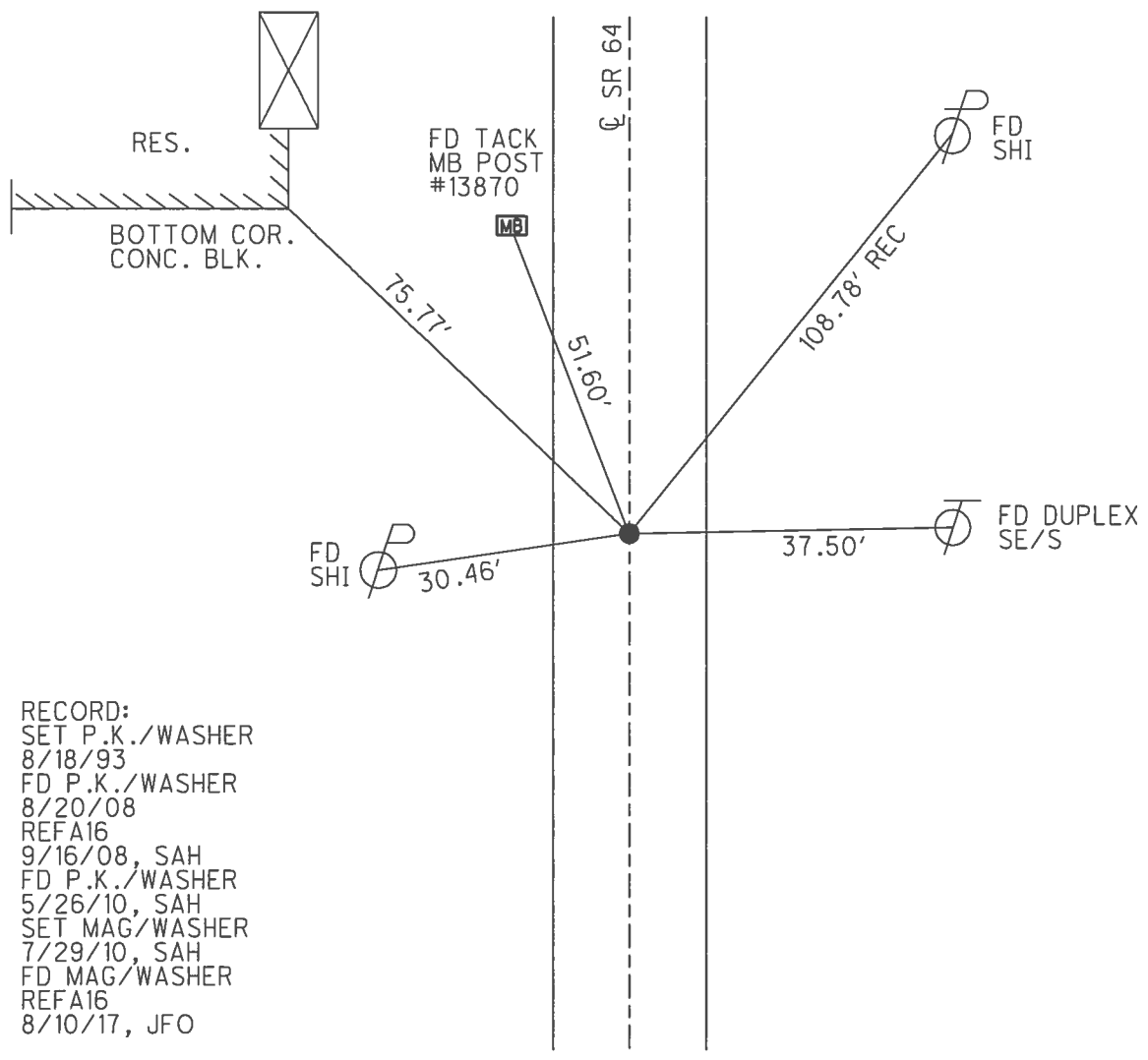
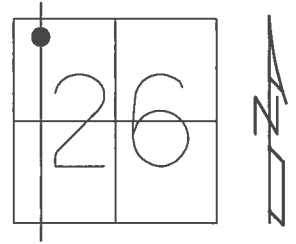


RECORD:
 SET P.K./WASHER
 8/18/93
 FD P.K./WASHER
 8/20/08
 REFA16
 9/16/08, SAH
 FD P.K./WASHER
 5/26/10, SAH
 SET MAG/WASHER
 7/29/10, SAH
 FD MAG/WASHER
 REFA16
 8/10/17, JFO

O.D.O.T. DISTRICT 2 SURVEY OFFICE (USE ONLY)

PERSONNEL _____ REFERENCE NO. 16 A SHEET 25 OF 39
 NOTES RHOADES DATE 8/10/17 ROUTE SR 64
 H.C. O'DONNELL WEATHER SUNNY COUNTY FULTON
 R.C. RHOADES TEMP. 71° TOWNSHIP AMBOY
 _____ SECTION 26
 _____ T 9 S R 4 E

TYPE MONUMENT _____ MAG/WASHER _____
 ON SURFACE - ~~BELOW~~ _____ ON _____
 LEFT - Q PAV'T - ~~RIGHT~~ 1.8' _____
9.5' TO LT EDGE PAVEMENT
 S.L.M. 393+75.97
 GRID: NOTHING: 733032.679 EASTING: 1582725.823

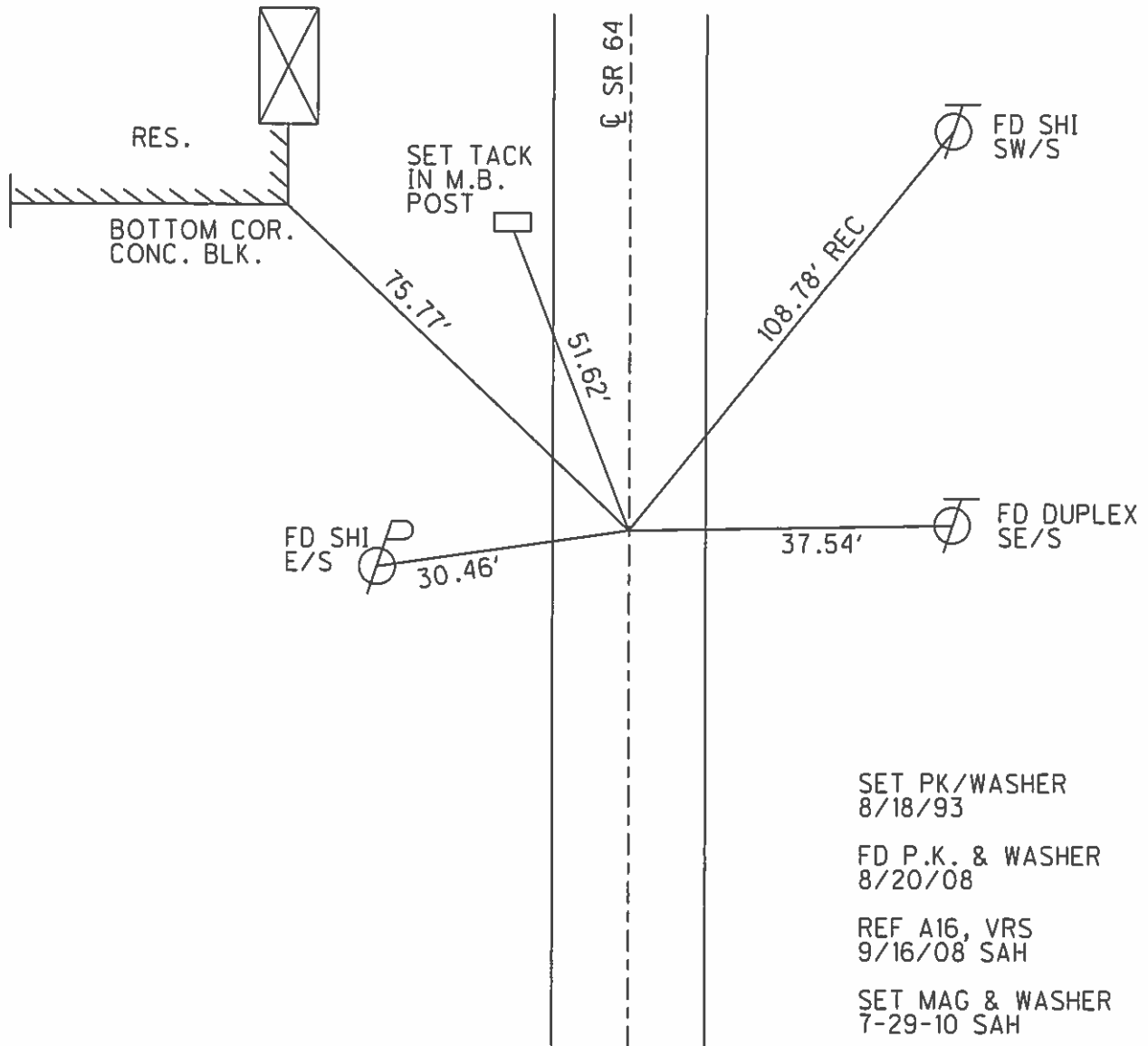
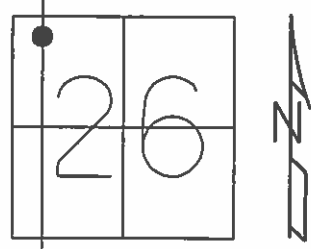


RECORD:
 SET P.K./WASHER
 8/18/93
 FD P.K./WASHER
 8/20/08
 REFA16
 9/16/08, SAH
 FD P.K./WASHER
 5/26/10, SAH
 SET MAG/WASHER
 7/29/10, SAH
 FD MAG/WASHER
 REFA16
 8/10/17, JFO

O.D.O.T. DISTRICT 2 SURVEY OFFICE (USE ONLY)

PERSONNEL _____ REFERENCE NO. 16 A SHEET 25 OF 39
 NOTES HUSS DATE 5-26-10 ROUTE SR 64
 H.C. FINTEL WEATHER SUNNY COUNTY FULTON
 R.C. CANTERBURY TEMP. 84° TOWNSHIP AMBOY
 _____ SECTION 26
 _____ T 9 S R 4 E

TYPE MONUMENT _____ PK/WASHER _____
 ON SURFACE - ~~BELOW~~ ON _____
 LEFT - Q PAV'T - ~~RIGHT~~ 1.8'
9.5' TO LT. EDGE PAVEMENT
 S.L.M. 393+75.97
 GRID: NOTHING: 733032.688 EASTING: 1582725.783



O.D.O.T. DISTRICT 2 SURVEY OFFICE

PERSONNEL

REFERENCE NO. 16-A

SHEET 20 OF 20

NOTES D. CURTIS

H.C. CORDES

R.C. CANTERBURY

RAMEO

DATE 7-27-93

WEATHER Sunny

TEMP. +90

SET P.K. & WASHER
8-18-93

ROUTE S.R. 64

COUNTY FULTON

TOWNSHIP AMBOY

SECTION 26

T 9 S R 4 E

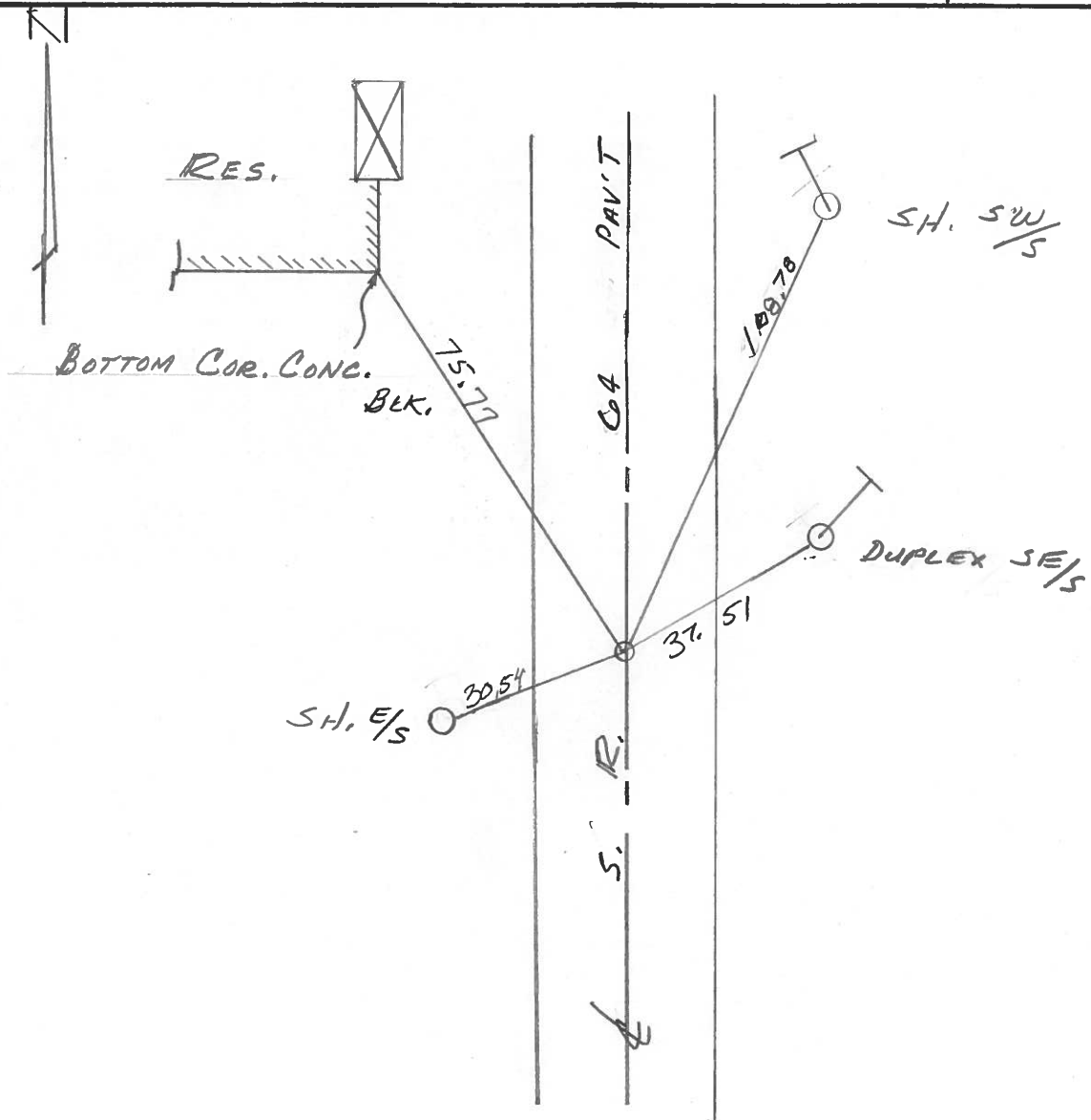
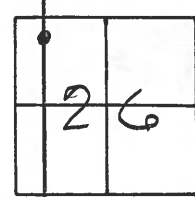
TYPE MONUMENT SMALL R.R. SPK.

ON SURFACE - ~~BELOW~~ ON SURFACE

LEFT-~~0~~ PAV'T. - RIGHT 1.9' LT OF E

^{0.2} TO Lt. EDGE PAVEMENT

S.L.M. 382+02



County Fulton S.R. 64

Date 20 April 84

Township Amboy

Weather Cloudy

Section 26

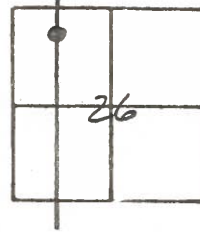
Temp. 44°

T N, R E

Personnel I. Stone

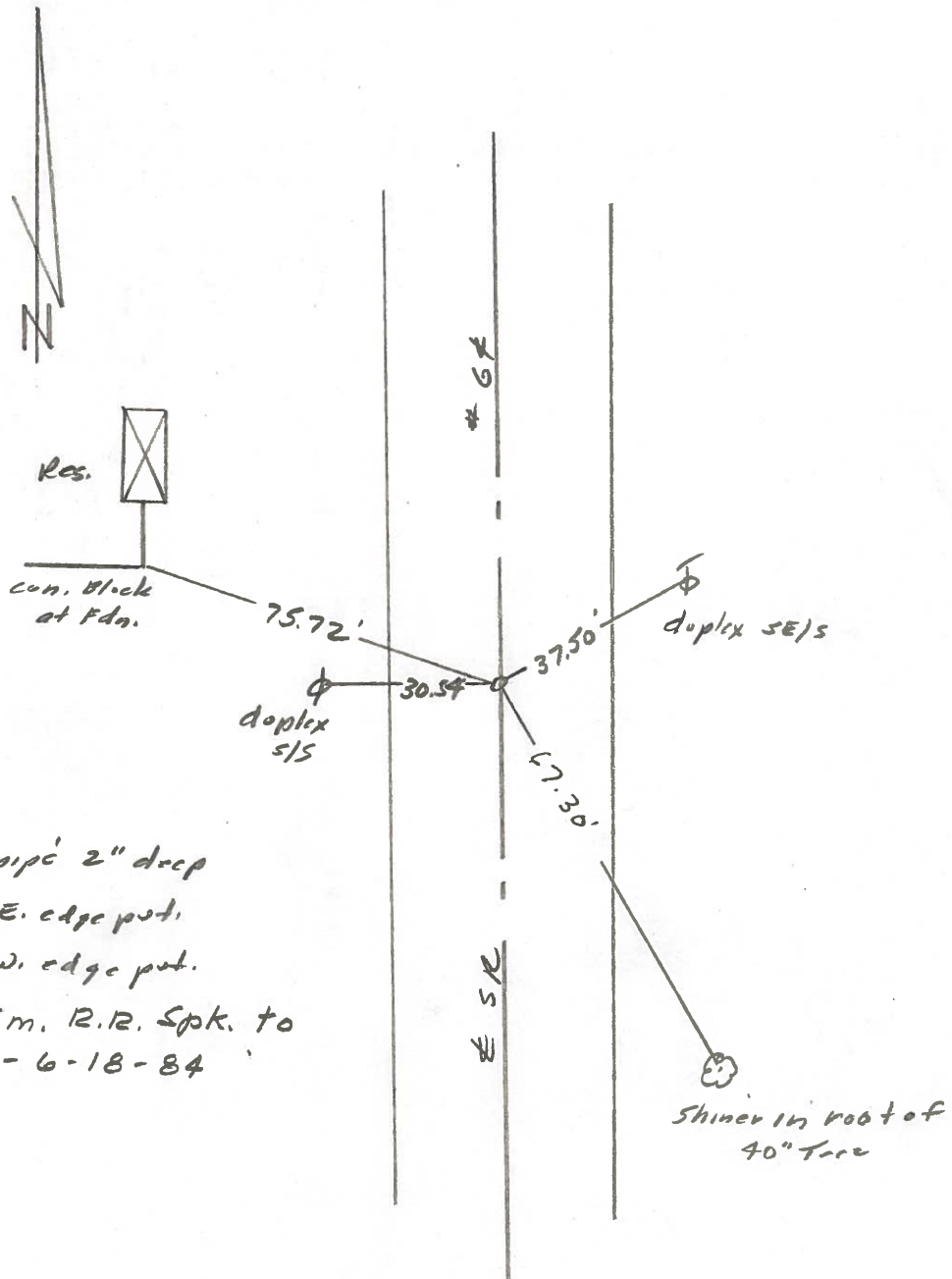
P. Neuse

R. Michalak



381 + 50

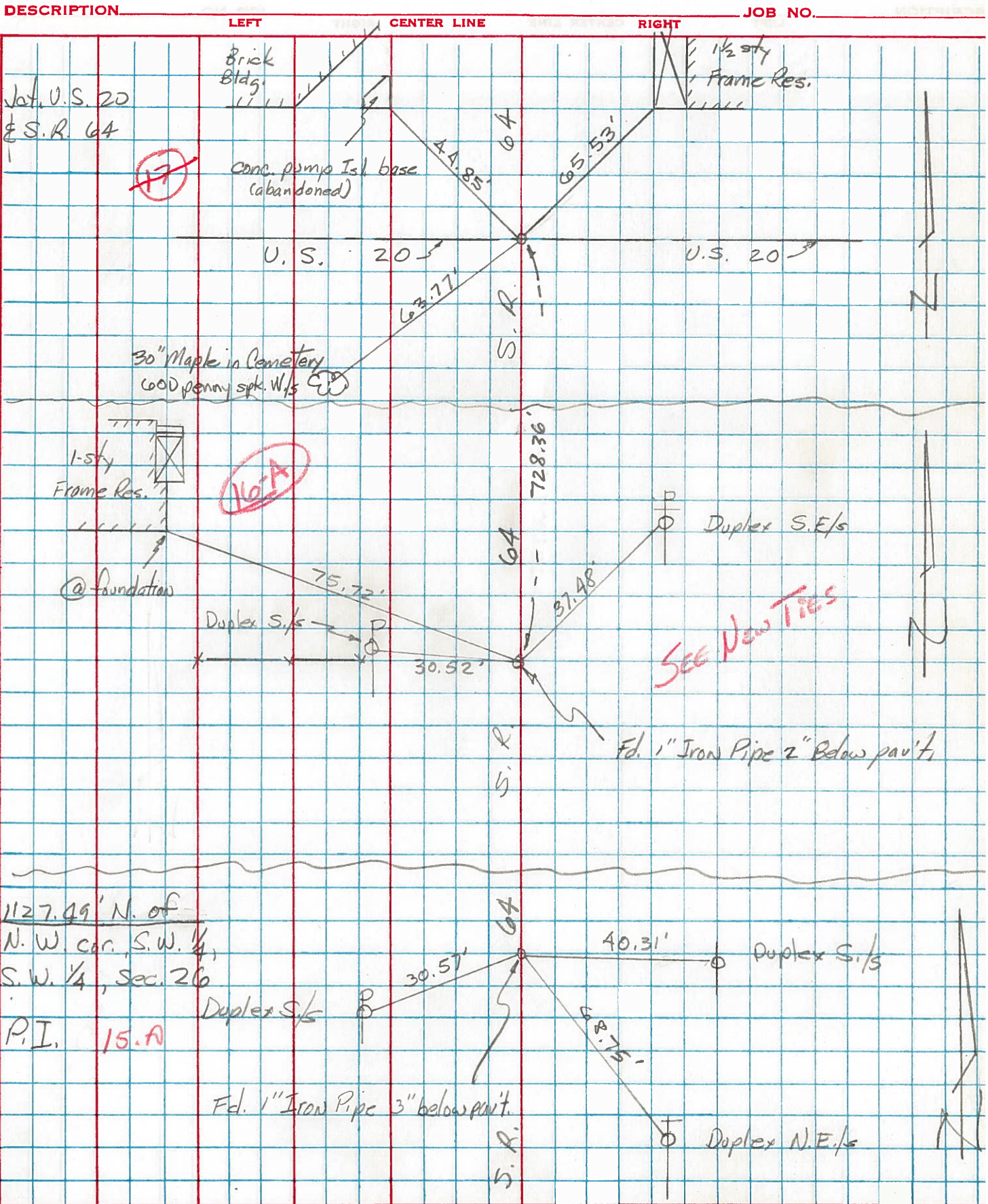
REF. NO. 16-A



Kd. 1" I. pipe 2" deep
10.0' to E. edge put.
7.6' to W. edge put.
Reset Sm. R.R. Spk. to
Surface - 6-18-84

Shiner in root of
40" tree

PERSONNEL	TITLE	PERSONNEL	TITLE	COUNTY	DATE
Tomsic		Boyle		Fulton	Aug 10, 1973
Nesser				S. R.	64
Granata				WEATHER	
Vanyo				SEC.	Aunboy TWP.
				TEMP.	



PERSONNEL	TITLE	PERSONNEL	TITLE	COUNTY	DATE
Red Beach				Fulton	May 1971
Newcomb				S. R. 64	WEATHER
Knape				SEC. Amboy Twp.	TEMP.
Wise					

DESCRIPTION **CONTROL Witnesses** LEFT CENTER LINE RIGHT JOB NO.

