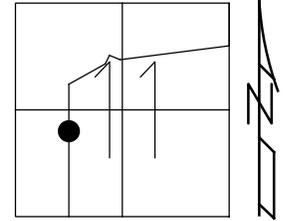


O.D.O.T. DISTRICT 2 SURVEY OFFICE (USE ONLY)

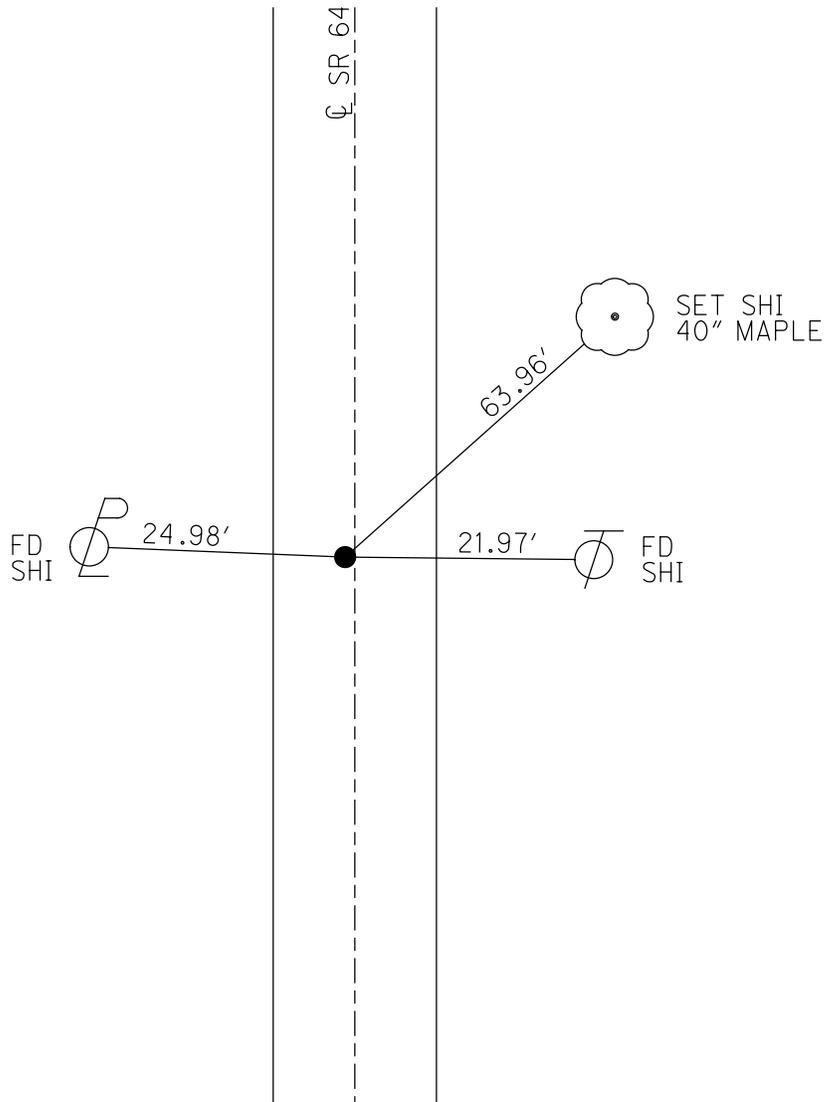
PERSONNEL	REFERENCE NO. <u>22</u>	SHEET <u>58</u> OF <u>59</u>
NOTES <u>RHOADES</u>	DATE <u>6/22/21</u>	ROUTE <u>SR 64</u>
H.C. <u>AUBLE</u>	WEATHER <u>CLOUDY</u>	COUNTY <u>FULTON</u>
R.C. <u>NIESE</u>	TEMP. <u>63°</u>	TOWNSHIP <u>AMBOY</u>
		SECTION <u>11</u>
DWG BY <u>NIESE</u>	PID <u>101213</u>	T <u>9</u> S <u>R 4</u> E

TYPE MONUMENT MAG/WASHER
 ON SURFACE - ~~BELOW~~ ON
 OFFSET \perp PAVEMENT 0.8' LT : ~~RT~~
- TO - EDGE PAVEMENT
 STATION: 531+34



HORZ. DATUM: NAD83(2011) GEOID: NAVD88 2012A
 GRID: NORTHING: 746306.115 EASTING: 1582495.809

RECORD:
 FD 2" IPIPE
 3" DOWN
 8/8/07, DCH
 FD MAG/WASHER
 REF22
 10/17/19, JFO
 6/22/21, DSA
 SET MAG/WASHER
 11/3/21, DSA



O.D.O.T. DISTRICT 2 SURVEY OFFICE (USE ONLY)

PERSONNEL _____ REFERENCE NO. 22 SHEET 38 OF 39
 NOTES HOMAN DATE 8-08-07 ROUTE SR 64
 H.C. ROUSOS WEATHER SUNNY COUNTY FULTON
 R.C. HOUESHELL TEMP. 80° TOWNSHIP AMBOY
VEITH SECTION 11
 T 9 N R 4 E

TYPE MONUMENT 2" IPIPE
~~ON SURFACE~~ - BELOW 3"
 LEFT - ☉ PAV'T - ~~RIGHT~~ 1.8'
- TO - EDGE PAVEMENT
 S.L.M. -
 GRID: NOTHING: _____ EASTING: _____

