

O.D.O.T. DISTRICT 2 SURVEY OFFICE (USE ONLY)

PERSONNEL

REFERENCE NO. 6 B

SHEET 21 OF 24

NOTES LOEHRKE

DATE 8/10/95

ROUTE SR 66

H.C. ROUSOS

WEATHER CLOUDY

COUNTY FULTON

R.C. CANTERBURY

TEMP. 85°

TOWNSHIP GERMAN

DWG BY NIESE PID _____

SECTION 32

T 7 N R 5 E

TYPE MONUMENT MONBOX

ON SURFACE - ~~BELOW~~ ON

OFFSET \odot PAVEMENT ON LT : RT

- TO - EDGE PAVEMENT

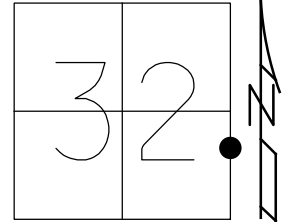
STATION: 121+33

HORZ.DATUM: _____

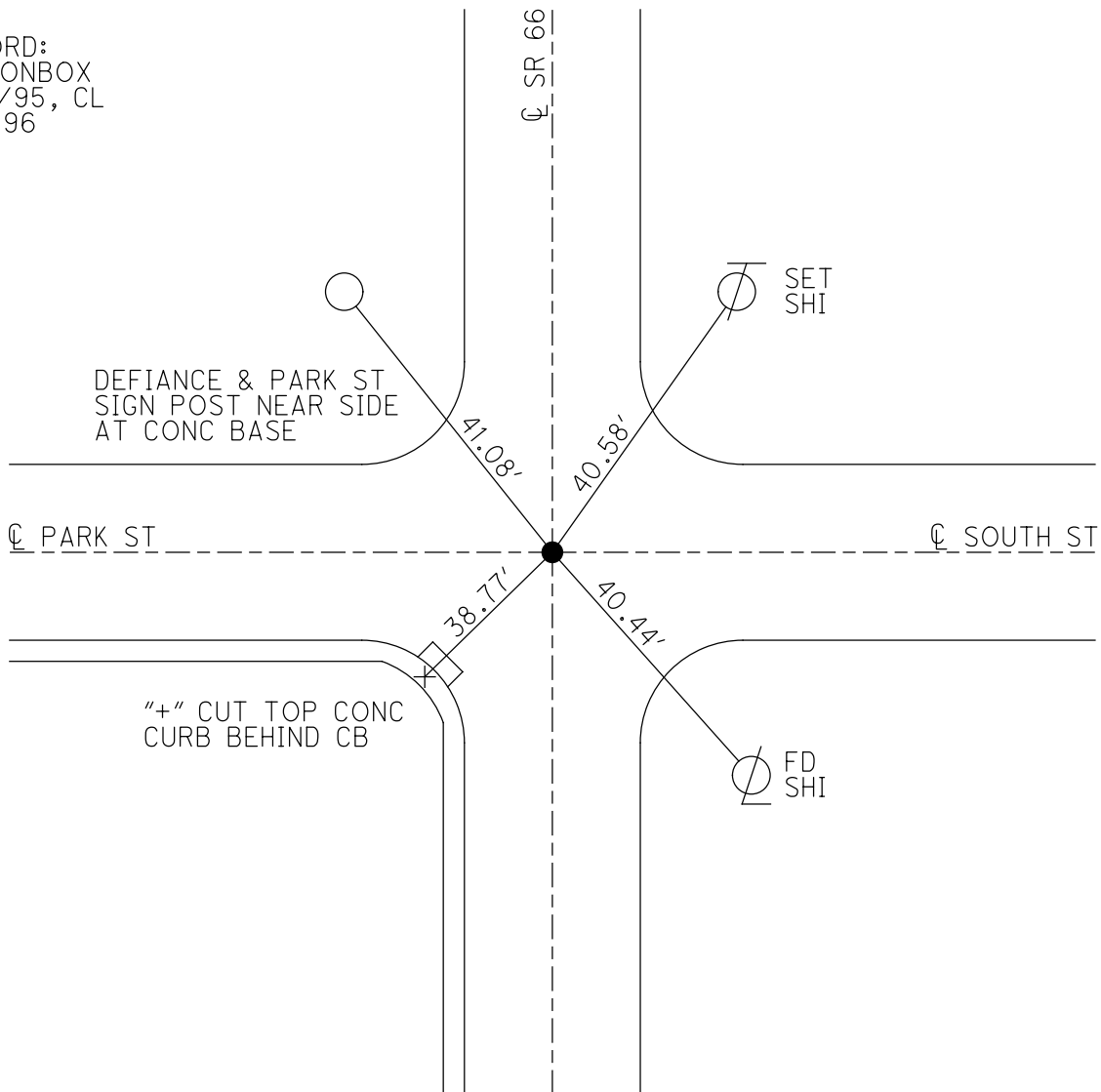
GEOID: _____

GRID: NORTHING: _____

EASTING: _____



RECORD:
FD MONBOX
8/10/95, CL
9/4/96



O.D.O.T. DISTRICT 2 SURVEY OFFICE

PERSONNEL _____

REFERENCE NO. 6-B

SHEET 15 OF 24

NOTES LOURKE

H.C. Rousar

R.C. CANTERBURY

DATE 8-10-95

WEATHER CLOUDY

TEMP. +85°F

ROUTE S.R. 66

COUNTY FULTON

TOWNSHIP GERMAN

SECTION 32

T T N R S E

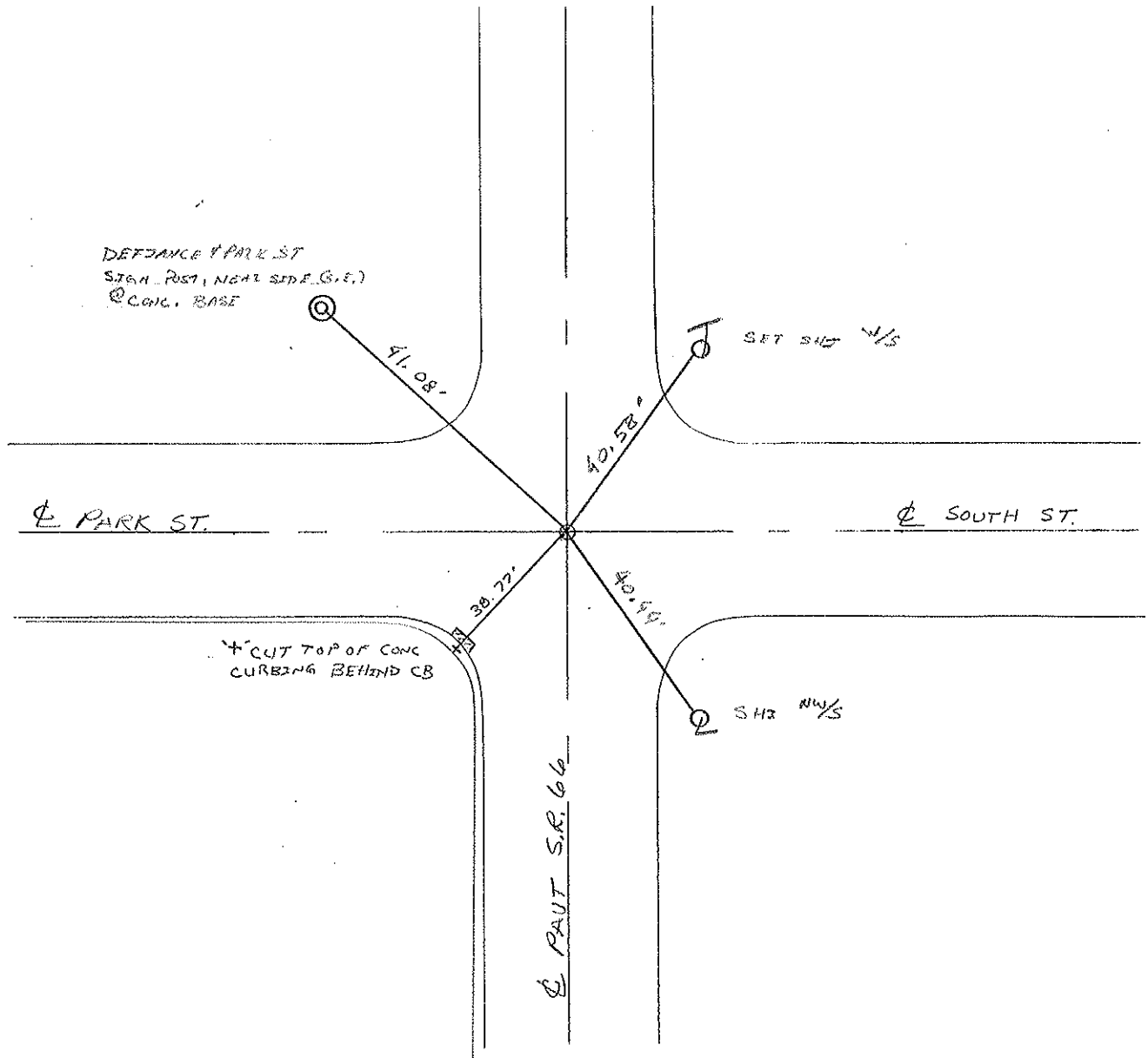
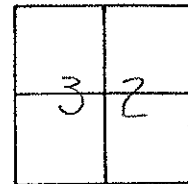
TYPE MONUMENT Mon. Box OK 9-4-96

ON SURFACE - BELOW ON SURFACE

LEFT - CL PAV'T. - RIGHT CL of SR 66 + CL of PARK ST

TO EDGE PAVEMENT

S.L.M. 12/433



County FULTON S.R. 106

Date 7-20-84

Township GERMAN

Weather Cloudy

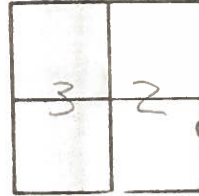
Section 32

Temp. +75

T7N, R5E

Personnel	<u>Hoffman</u>	<u>P</u>
	<u>HOUSEHOLDER</u>	<u>RC</u>
	<u>BARNHISEL</u>	<u>HC</u>
	<u>LOEHRKE</u>	<u>II</u>

6B



Fd MON Box @ SURFACE
 w/"X" ON Top CNTR of Lid
 Did Not open
 ON ~~4~~ of Both PAUTS.

SLM 121731

Fd Box RAISED
 10-23-84
 C.L.

Defiance/PARK St Sign Post
 Near Side (S.E) @ CONC. BASE

