

O.D.O.T. DISTRICT 2 SURVEY OFFICE (USE ONLY)

PERSONNEL

REFERENCE NO. 23

SHEET 40 OF 49

NOTES RHOADES

DATE 7/3/18

ROUTE SR 66

H.C. O'DONNELL

WEATHER CLOUDY

COUNTY FULTON

R.C. TRENKA

TEMP. 86°

TOWNSHIP FRANKLIN

HAGEMeyer

DWG BY NIESE PID 102801

SECTION 5

T 10 N R 5 E

TYPE MONUMENT MAG/WASHER

ON SURFACE - ~~BELOW~~ ON

OFFSET 10.3' TO RT EDGE PAVEMENT RT

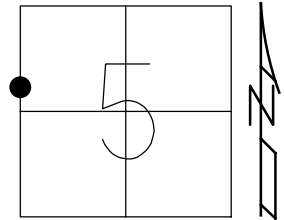
STATION: 584+05

HORIZ.DATUM: NAD83(2011)

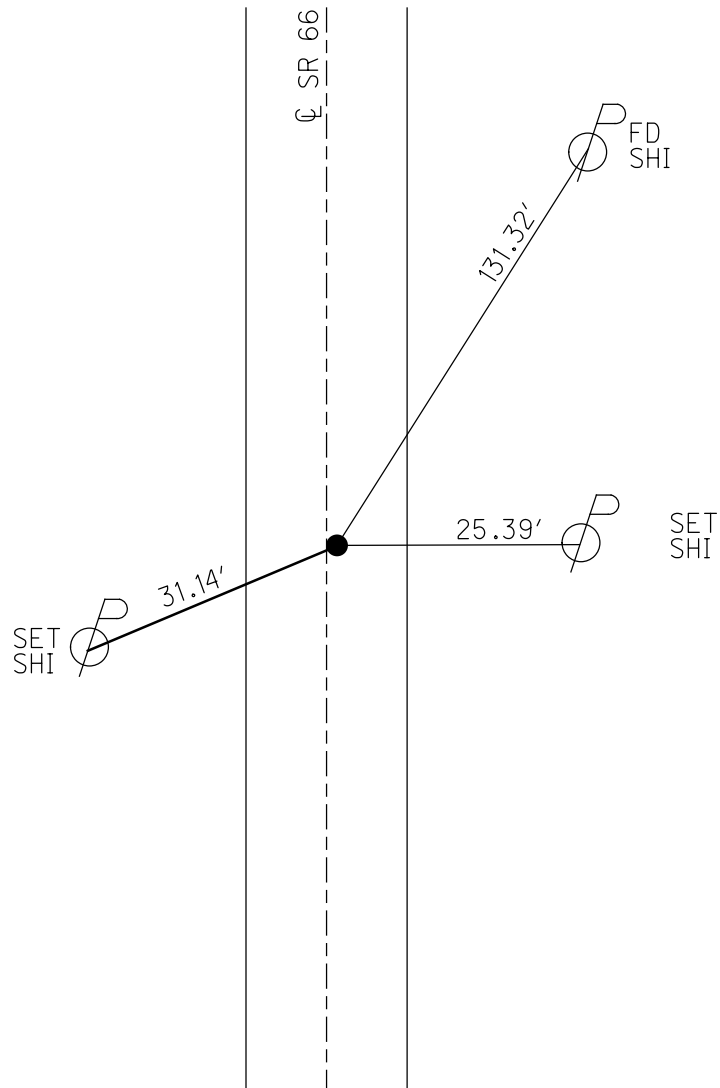
GEOID: 2012A

GRID: NORTHING: 722299.763

EASTING: 1469336.699



RECORD:  
 FD PK/WASHER  
 10/12/93, CL  
 SET PK/WASHER  
 12/6/93, MC  
 FD PK/WASHER  
 6/19/07, TMR  
 SET MAG/WASHER  
 8/31/07, MC  
 FD MAG/WASHER  
 REF23  
 12/2/16  
 FD 1" DOWN  
 7/18/19, JFO



O.D.O.T. DISTRICT 2 SURVEY OFFICE (USE ONLY)

PERSONNEL \_\_\_\_\_

REFERENCE NO. 23

SHEET 5 OF 12

NOTES HOUESHELL

DATE 06-19-07

ROUTE SR 66

H.C. ROUSOS

WEATHER CLOUDY

COUNTY FULTON

R.C. HOUESHELL

TEMP. +80°

TOWNSHIP FRANKLIN

SECTION 5

T 10 N R 5 E

TYPE MONUMENT PK/WASHER

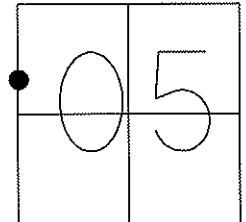
ON SURFACE - ~~BELOW~~ ON SURFACE

~~LEFT = C PAV'T~~ - RIGHT 1.0' RT.

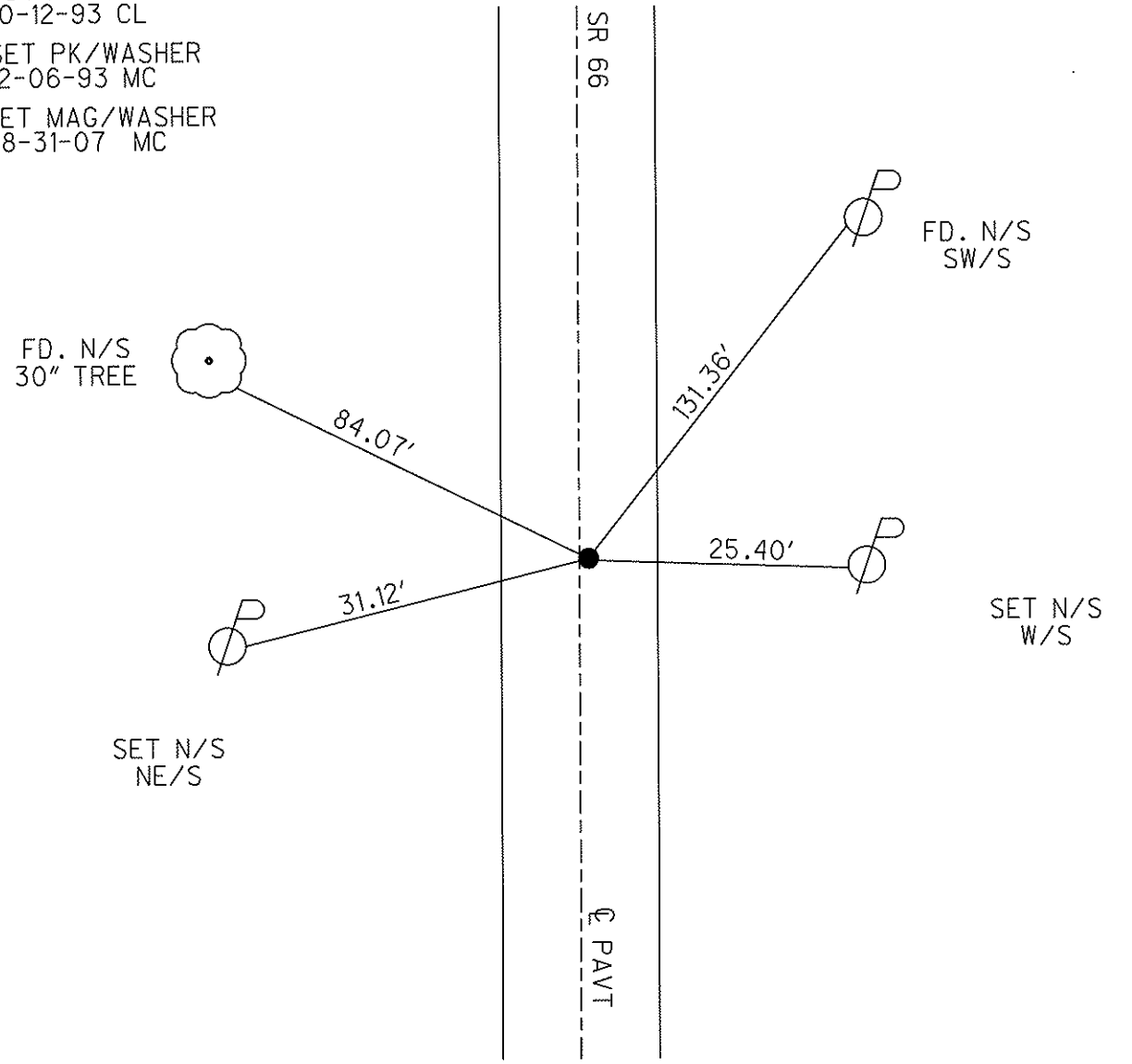
10.3' TO RT. EDGE PAVEMENT

S.L.M. 586+16 (SV8)

Grid: Northing: 722299.692 Easting: 1469336.576



FD. PK/WASHER  
10-12-93 CL  
SET PK/WASHER  
12-06-93 MC  
SET MAG/WASHER  
08-31-07 MC



# O.D.O.T. DISTRICT 2 SURVEY OFFICE

PERSONNEL \_\_\_\_\_

REFERENCE NO. 23

SHEET 15 OF 22

NOTES J. CURTIS

H.C. Loehrke

DATE 10-12-93

ROUTE S.R. 666

R.C. Canterbury

WEATHER Cloudy

COUNTY FULTON

\_\_\_\_\_

TEMP. +50

TOWNSHIP FRANKLIN

SECTION 5

T 10 S R 6 E

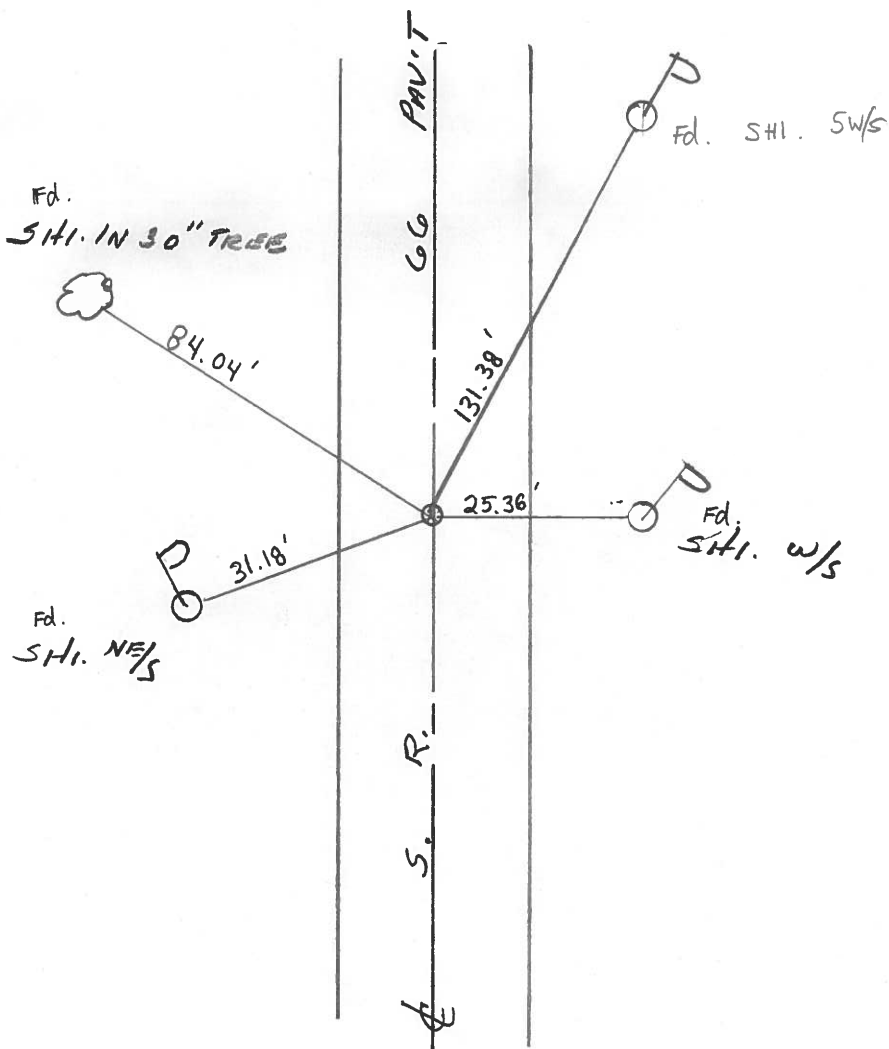
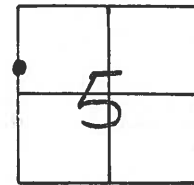
TYPE MONUMENT P.K. NAIL Set PK/washer

ON SURFACE - ~~BELOW~~ ON SURFACE 12/6/93

LEFT- ~~☉~~ PAV'T. - RIGHT ☉ 0.6' RT. ☉ ML

10.3 TO RT. EDGE PAVEMENT

S.L.M. 595 + 00



# O.D.O.T. DISTRICT 2 SURVEY OFFICE

PERSONNEL \_\_\_\_\_

REFERENCE NO. 23-A

SHEET 2 OF 3

NOTES 1. Stone

H.C. D. Curtis

DATE 29 Jan. 90

ROUTE SK #66

R.C. J. Haushalter

WEATHER Cloudy

COUNTY Fulton

TEMP. 33°

TOWNSHIP Franklin

SECTION 5

T \_\_\_\_\_ R \_\_\_\_\_

TYPE MONUMENT PK No. 1

ON SURFACE - BELOW Surface

LEFT - & PAV'T. - RIGHT \_\_\_\_\_

\_\_\_\_\_ TO \_\_\_\_\_ EDGE PAVEMENT

S.L.M. 595+00.00

23

