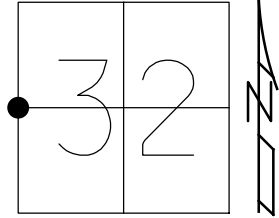


O.D.O.T. DISTRICT 2 SURVEY OFFICE (USE ONLY)

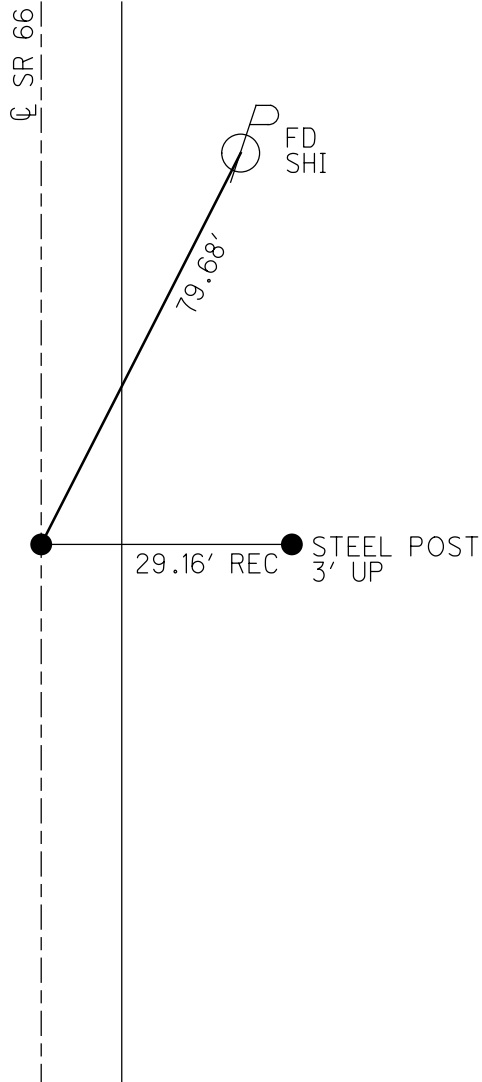
PERSONNEL _____ REFERENCE NO. 25 SHEET 42 OF 49
 NOTES RHOADES DATE 7/6/18 ROUTE SR 66
 H.C. O'DONNELL WEATHER SUNNY COUNTY FULTON
 R.C. TRENKA TEMP. 73° TOWNSHIP GORHAM
 DWG BY NIESE PID 102801 SECTION 32
 T 9 S R 5 E

TYPE MONUMENT MAG/WASHER
 ON SURFACE - ~~BELOW~~ ON
 OFFSET ☉ PAVEMENT ON LT : RT
10.5' TO RT EDGE PAVEMENT
 STATION: 619+13.7



HORIZ.DATUM: NAD83(2011) GEOID: 2012A
 GRID: NORTHING: 725808.515 EASTING: 1469354.525

RECORD:
 FD PK/WASHER
 10/12/93, CL
 SET PK/WASHER
 12/8/93, MC
 FD PK/WASHER
 6/19/07, TMR
 SET MAG/WASHER
 8/31/07, MC
 FD MAG/WASHER
 REF25
 12/2/16
 FD 1" DOWN
 7/18/19, JFO



O.D.O.T. DISTRICT 2 SURVEY OFFICE (USE ONLY)

PERSONNEL _____

REFERENCE NO. 25

SHEET 7 OF 12

NOTES HOUESHELL

DATE 06-19-07

ROUTE SR 66

H.C. ROUSOS

WEATHER CLOUDY

COUNTY FULTON

R.C. HOUESHELL

TEMP. +80°

TOWNSHIP GORHAM

SECTION 32

T 9 S R 5 E

TYPE MONUMENT PK/WASHER

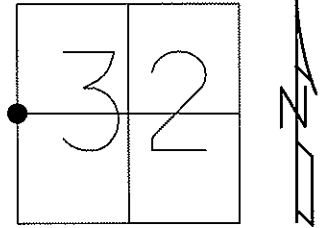
ON SURFACE - ~~BELOW~~ ON SURFACE

~~LEFT = C PAV'T~~ - RIGHT 0.3' RT.

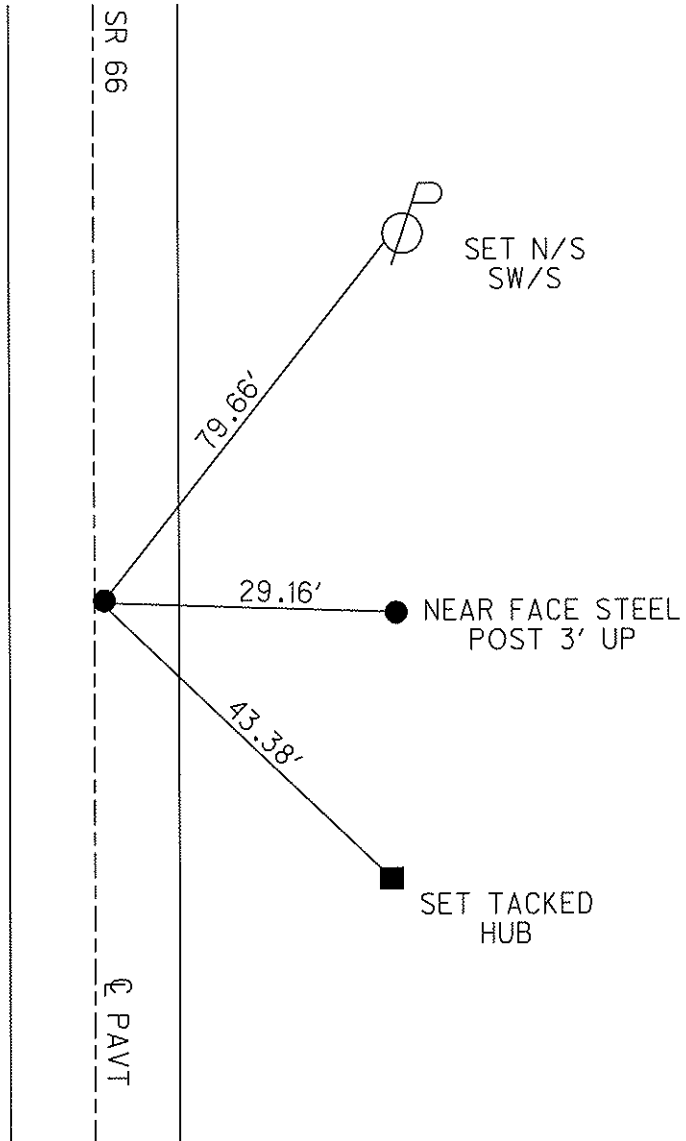
10.5' TO RT. EDGE PAVEMENT

S.L.M. 621+26 (SV10)

Grid: Northing: 725808.481 Easting: 1469354.487



FD. PK/WASHER
10-12-93 CL
SET PK/WASHER
12-08-93 MC
SET MAG/WASHER
08-31-07 MC



O.D.O.T. DISTRICT 2 SURVEY OFFICE

PERSONNEL

REFERENCE NO. 25

SHEET 17 OF 22

NOTES D. CURTIS

H.C. Loehrke

R.C. Canterbury

DATE 10-12-93

WEATHER cloudy

TEMP. +50

ROUTE S.R. 66

COUNTY FULTON

TOWNSHIP GORDHAM

SECTION 32

T 9 S R 5 E

TYPE MONUMENT P.K. NAIL

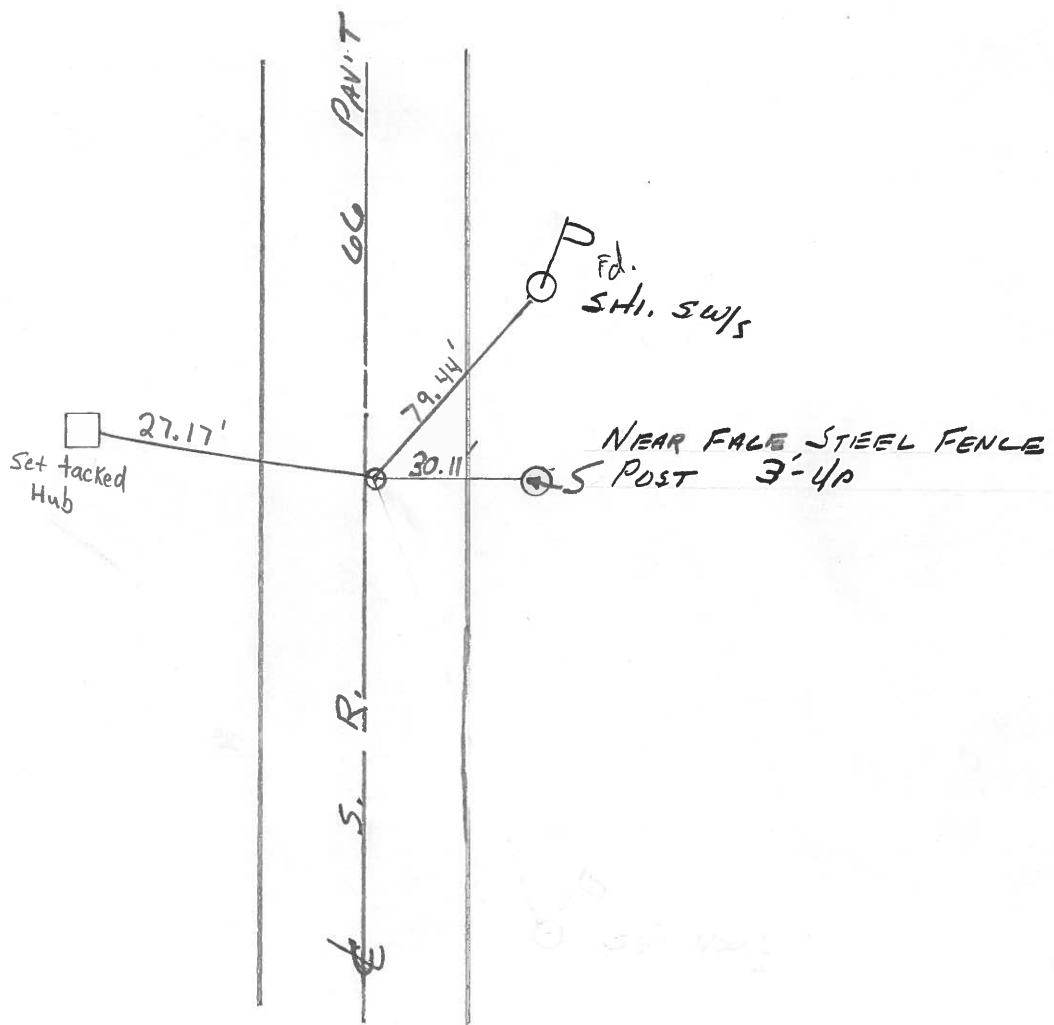
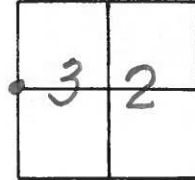
ON SURFACE - ~~BELOW~~ ON SURFACE

LEFT - ~~PAV'T.~~ - RIGHT 0.3' Rt.

10.5 TO Rt. EDGE PAVEMENT

S.L.M. 630 + 14

Set PK/Washer
12/8/93
MC



County Fulton S.R. 66

Date 8 Aug. 84

Township Greenham

Weather Muggy

Section 32

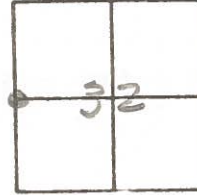
Temp. 80°

T N, R E

Personnel J. Stone

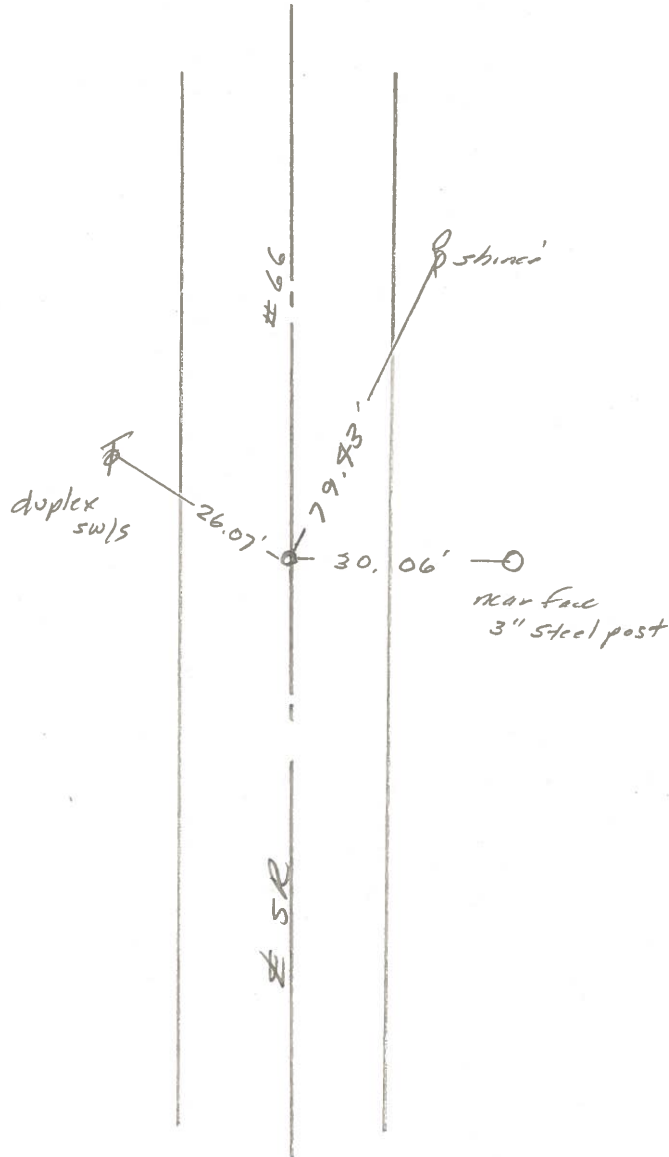
P. Neuser

R. Michalak



SLM STA. 630+16

REF. No. 25



Set PK Mar 11/06/84

PERSONNEL	TITLE	PERSONNEL	TITLE
Tomsic			
Neuser			
Vanyo			
Boyle			

COUNTY Fulton DATE July-30-73

S. R. 66 WEATHER clear

SEC. _____ TEMP. _____

DESCRIPTION Reference JOB NO. 024610

