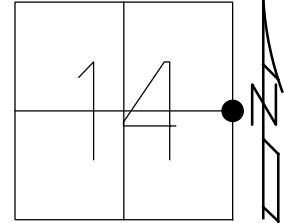


O.D.O.T. DISTRICT 2 SURVEY OFFICE (USE ONLY)

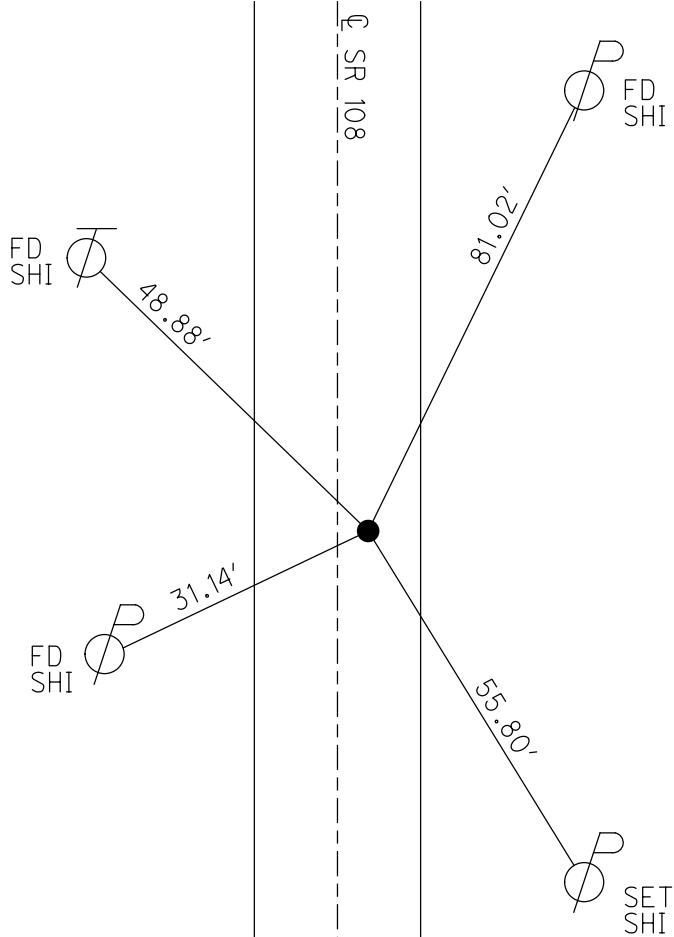
PERSONNEL _____ REFERENCE NO. 9 SHEET 6 OF 6
 NOTES LEU DATE 6/6/19 ROUTE SR 108
 H.C. O'DONNELL WEATHER CLOUDY COUNTY FULTON
 R.C. MILLER TEMP. 63° TOWNSHIP CLINTON
RHOADES SECTION 14
 DWG BY BALBAUGH PID 101232 T 7 N R 6 E

TYPE MONUMENT 1 1/2" IPIPE
 ON SURFACE - ~~BELOW~~ ON
 OFFSET CL PAVEMENT 4.1' ~~±~~ : RT
14.4' TO RT EDGE PAVEMENT
 STATION: 292+05.16



HORZ.DATUM: NAD83(2011) GEOID: 2012A
 GRID: NORTHING: 696256.332 EASTING: 1521254.083

RECORD:
 1/2 MILE N. OF
 LINFOOT ST.
 FD P.K./WASHER
 ATOP 2" IPIPE
 FD P.K./WASHER
 7/14/00, MDB
 FD 1 1/2" IPIPE
 REF9
 6/6/19, JFO
 SET MAG/WASHER
 10/22/19, JFO



O.D.O.T. DISTRICT 2 SURVEY OFFICE

PERSONNEL

REFERENCE NO. 9

SHEET 2 OF 2

NOTES MOSEB

H.C. BARNHISEL

R.C. CANTERBURY

DATE 7-14-00

WEATHER FAIR

TEMP. +78°

ROUTE S.R. 2, S.R. 108

COUNTY FULTON

TOWNSHIP CANTON

SECTION 13, 14

T 7 N R 6 E

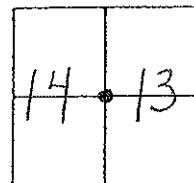
TYPE MONUMENT P.K. + WASHER

ON SURFACE - ~~BELOW~~ SURFACE

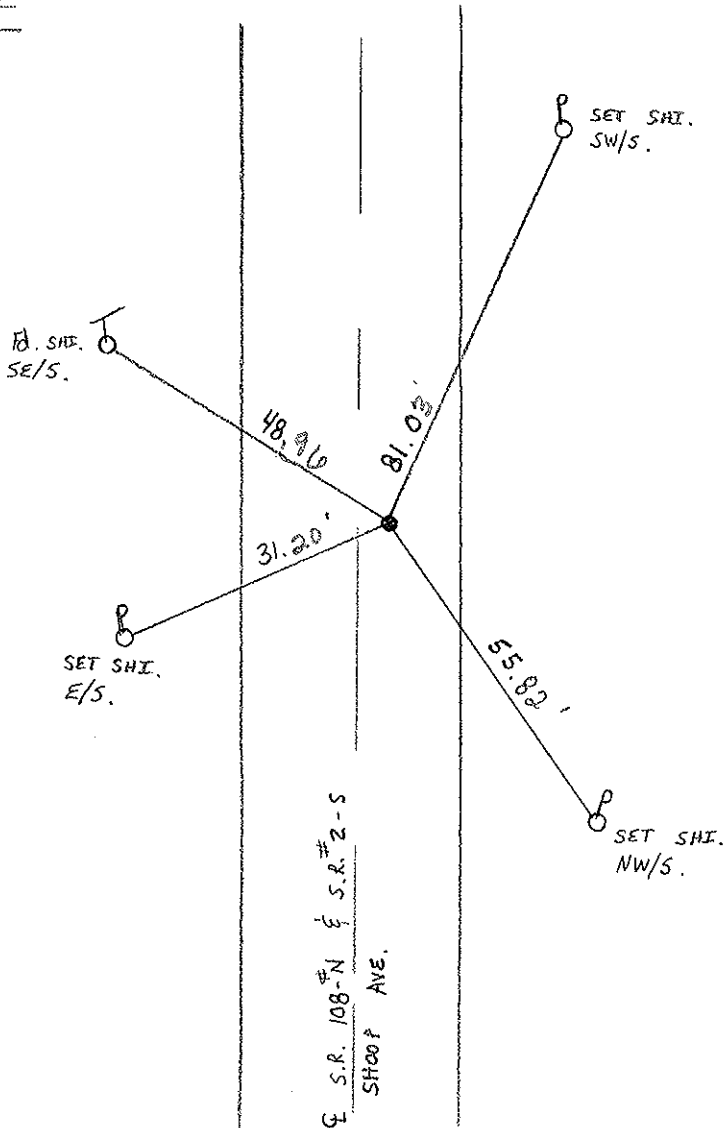
~~LEFT - & PAV'T. - RIGHT~~ 4.1' RT &

14.4' TO RT. EDGE PAVEMENT FACE OF CURB

S.L.M. 825 + 82



RECORD: 1/2 MI. N. OF
LINFOOT ST. P.K. + WASHER ATOP
2" IRON PIPE

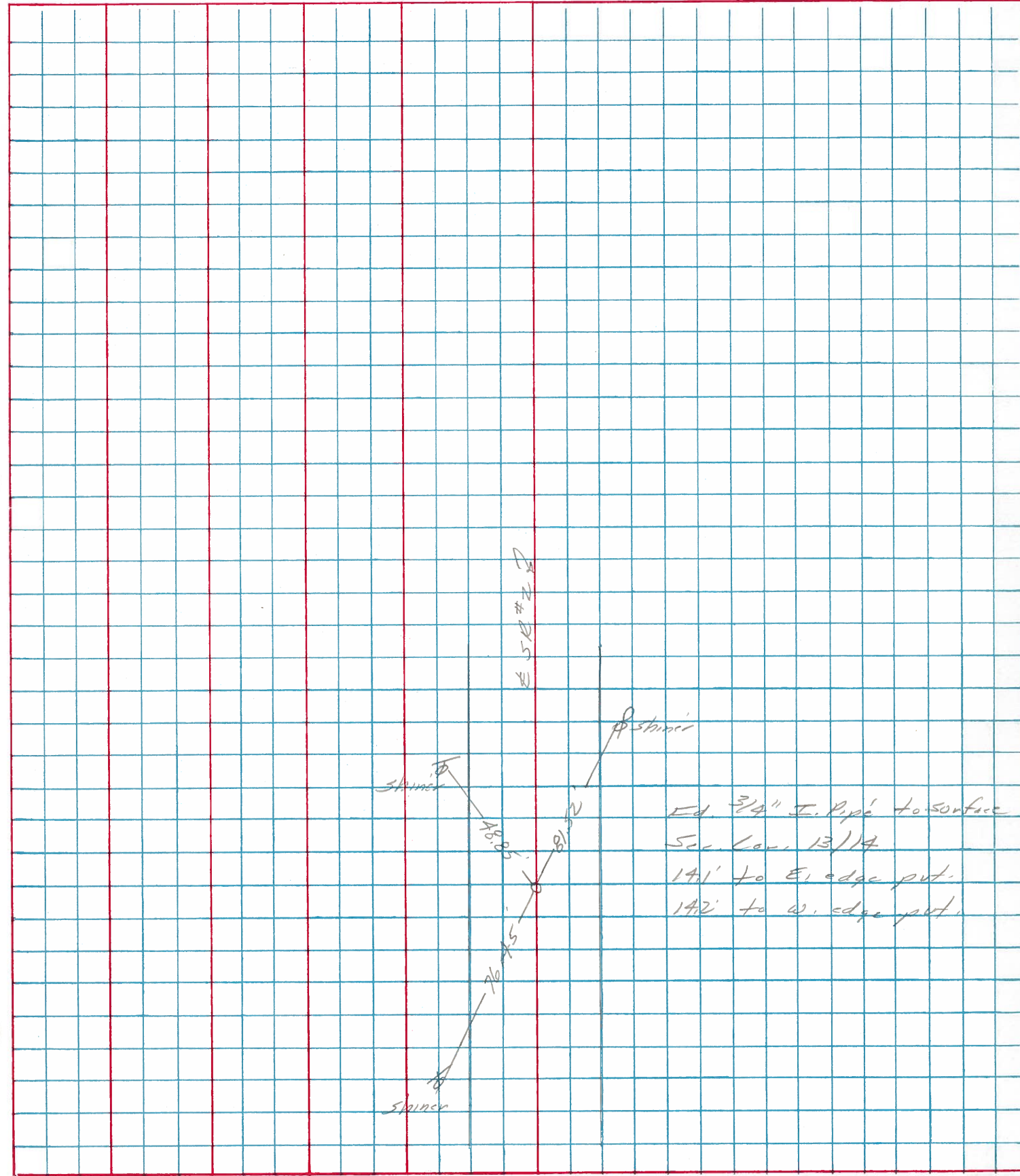


NATIONAL
CITY
BANK

| | | | | | | | |
|--------------|-------|-----------|-------|--------|----------------|---------|-------------------|
| PERSONNEL | TITLE | PERSONNEL | TITLE | COUNTY | <u>Fulton</u> | DATE | <u>22 Aug. 77</u> |
| <u>Stans</u> | | | | S. R. | <u># 2</u> | WEATHER | <u>Cloudy</u> |
| <u>&</u> | | | | SEC. | <u>Wauscon</u> | TEMP. | <u>73°</u> |
| <u>Crow</u> | | | | | | | |

DESCRIPTION _____ References _____ JOB NO. _____

LEFT CENTER LINE RIGHT



PERSONNEL TITLE PERSONNEL TITLE

Beach

COUNTY Fulton

DATE Sept. 1961

S. R. # 2

WEATHER

SEC. 14.62-16.13

TEMP.

DESCRIPTION

CONTROL POINTS

JOB NO.

LEFT

CENTER LINE

RIGHT

