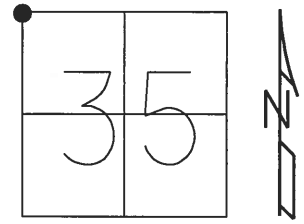


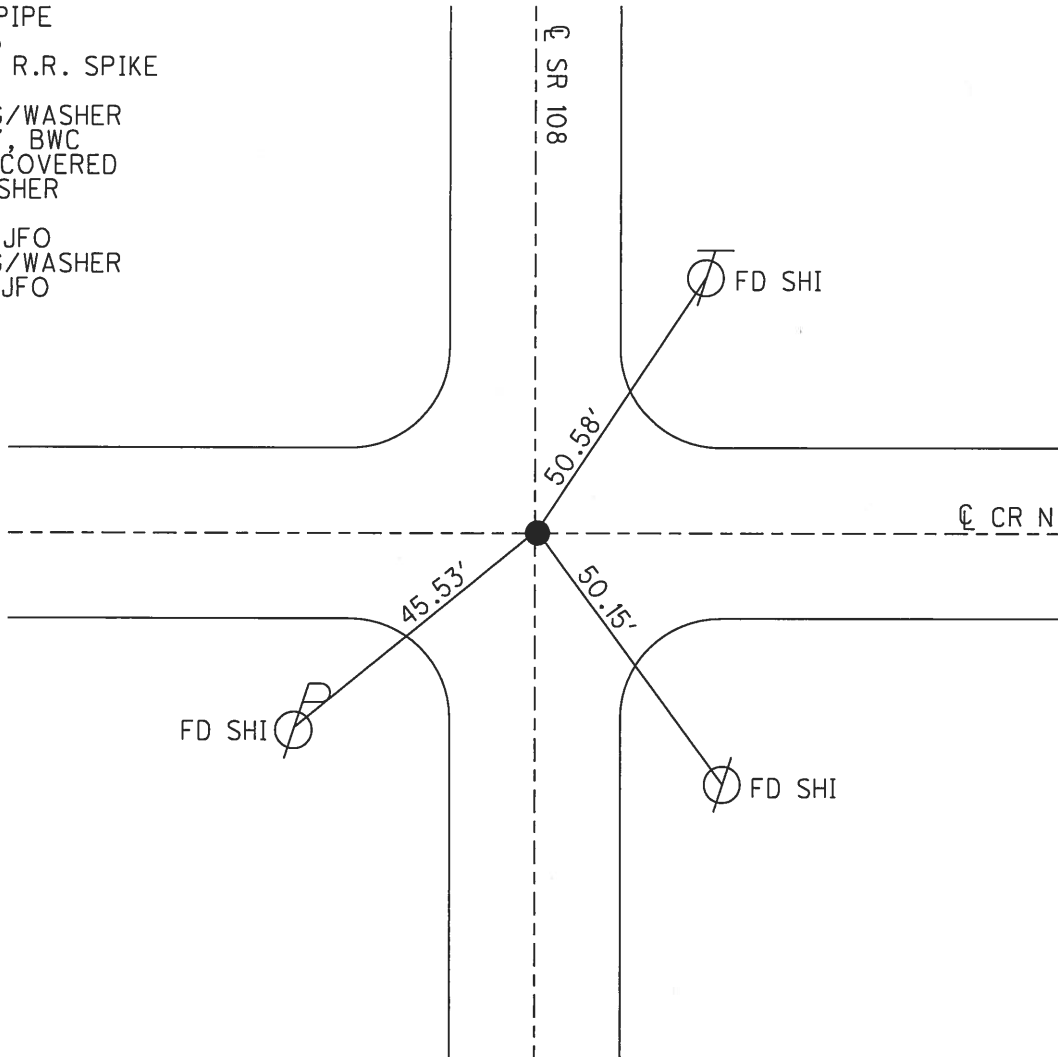
O.D.O.T. DISTRICT 2 SURVEY OFFICE (USE ONLY)

PERSONNEL _____ REFERENCE NO. 20 SHEET 23 OF 26
 NOTES RHOADES DATE 5/2/18 ROUTE SR 108
 H.C. O'DONNELL WEATHER WIND COUNTY FULTON
 R.C. SEAMAN TEMP. 71° TOWNSHIP DOVER
 _____ SECTION 35
 _____ T 9 S R 2 E

TYPE MONUMENT MAG/WASHER
 ON SURFACE - ~~BELOW~~ ON
 LEFT - ☉ PAV'T - ~~RIGHT~~ 1.5'
 - TO - EDGE PAVEMENT
 S.L.M. 636+87
 GPS NORTHING: 728461.821 GPS EASTING: 1517086.439



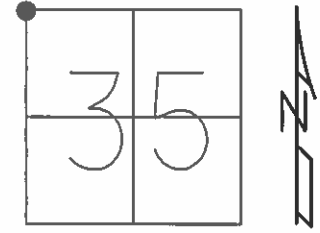
RECORD:
 FD 1" I-PIPE
 10-21-86
 SET SM. R.R. SPIKE
 5-22-87
 SET MAG/WASHER
 11-06-07, BWC
 FD TAR COVERED
 MAG/WASHER
 REF20
 1-19-17, JFO
 SET MAG/WASHER
 8-7-18, JFO



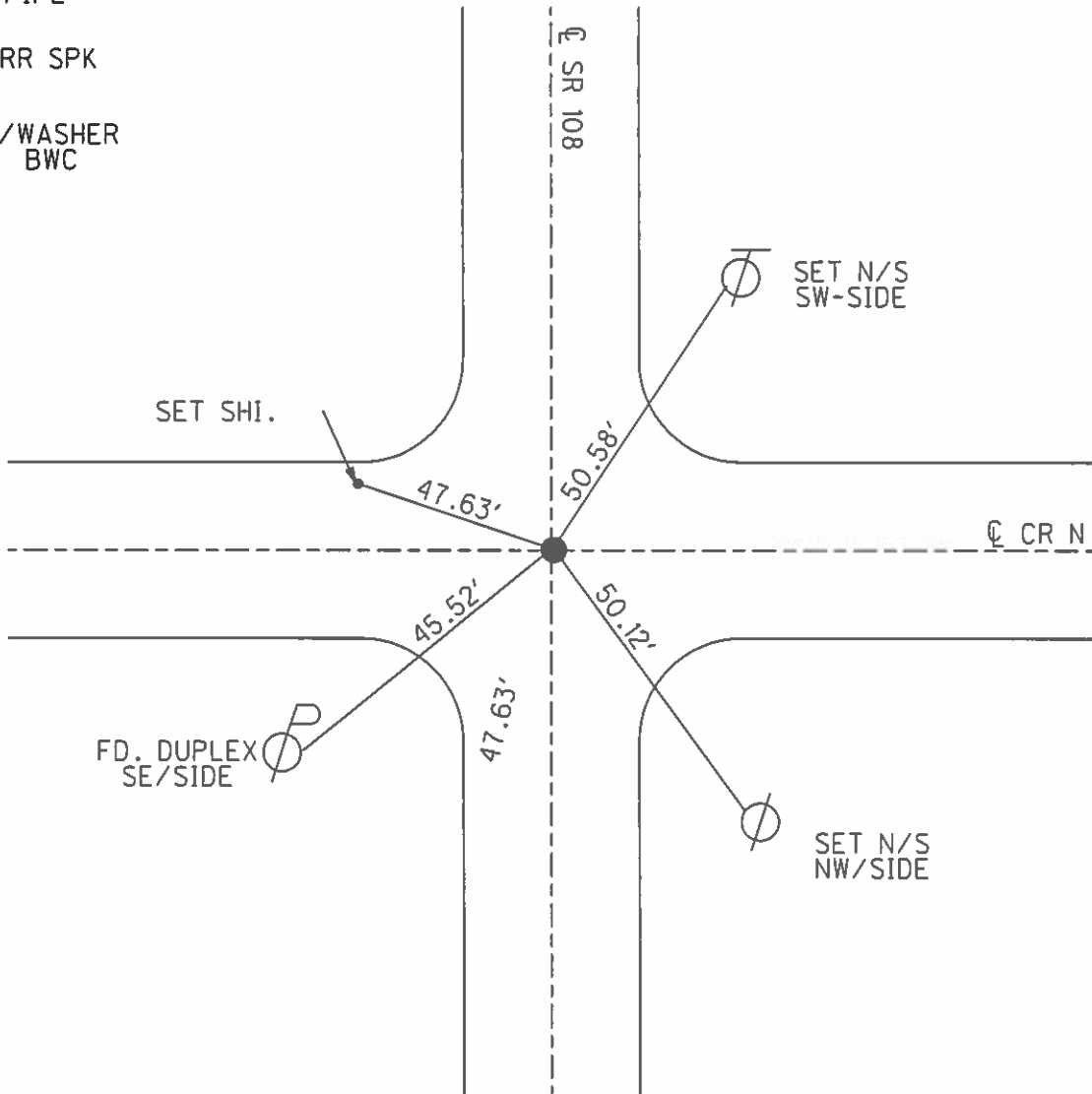
O.D.O.T. DISTRICT 2 SURVEY OFFICE (USE ONLY)

PERSONNEL _____ REFERENCE NO. 20 SHEET 21 OF 22
 NOTES CORDES DATE 6/20/07 ROUTE SR 108
 H.C. VIETH WEATHER SUNNY COUNTY FULTON
 R.C. HOMAN TEMP. 81° TOWNSHIP DOVER
 _____ SECTION 35
 _____ T 9 S R 2 E

TYPE MONUMENT SM.R.R.SPIKE
 ON SURFACE - ~~BELOW~~ ON
 LEFT - ~~C PAV'T~~ - RIGHT 1.5'
 - TO - EDGE PAVEMENT
 S.L.M. 636+87
 GPS NORTHING: 728461.867 GPS EASTING: 1517086.422



FD. 1" I-PIPE
 10-21-86
 SET SM RR SPK
 5-22-87
 SET MAG/WASHER
 11-06-07 BWC



O.D.O.T. DISTRICT 2 SURVEY OFFICE

PERSONNEL

REFERENCE NO. 20

SHEET 8 OF

NOTES 1. Stone

H.C. D. Lortis

R.C. J. Householder

DATE 21 Oct. 86

WEATHER Cloudy

TEMP. 53°

ROUTE SR#108

COUNTY Fulton

TOWNSHIP Chesterfield

SECTION

T R

TYPE MONUMENT 1" I. pipe

ON SURFACE - BELOW 1" deep

LEFT- & PAV'T. - RIGHT

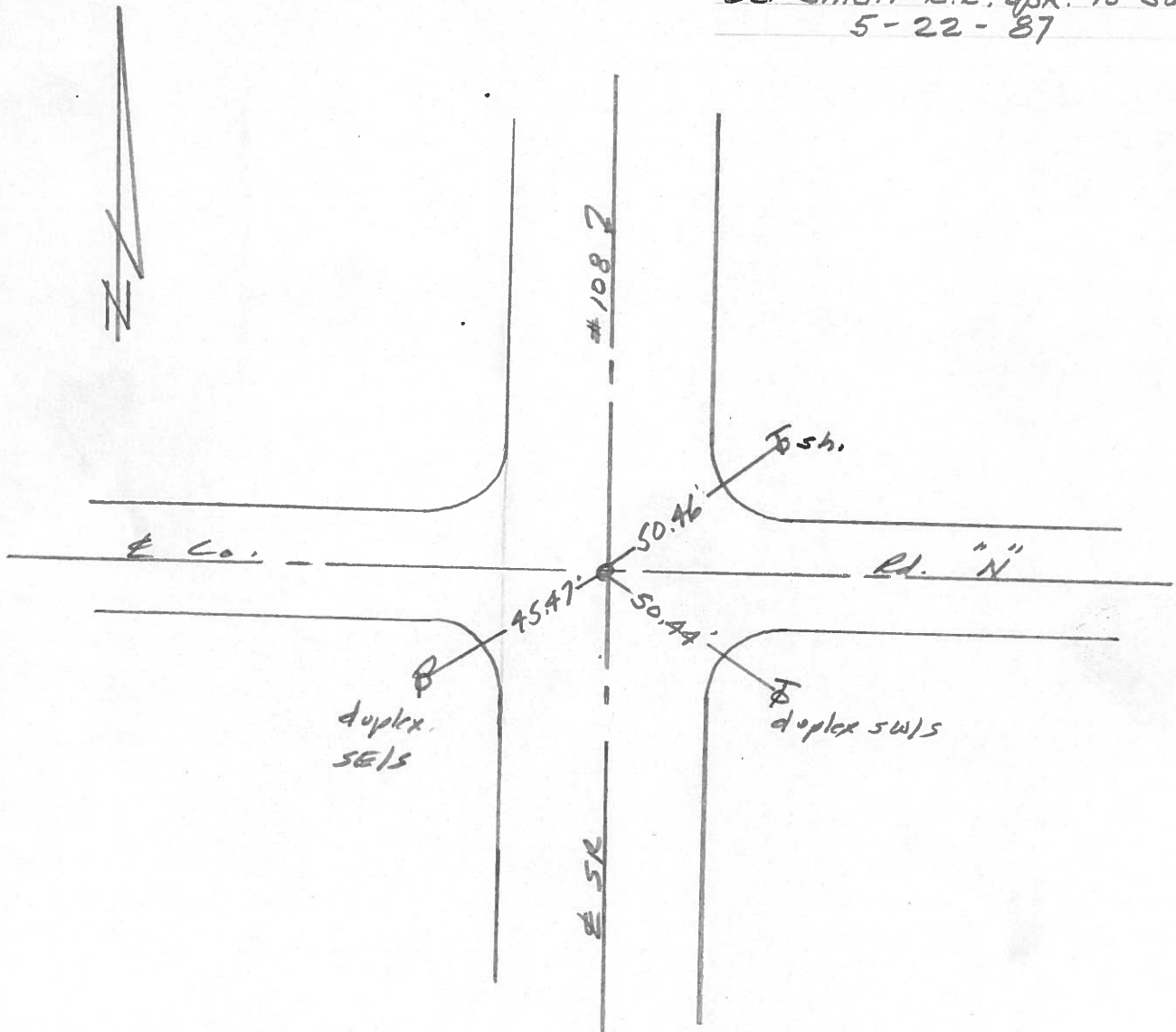
TO EDGE PAVEMENT

S.L.M. 636+51

27	26
34	35



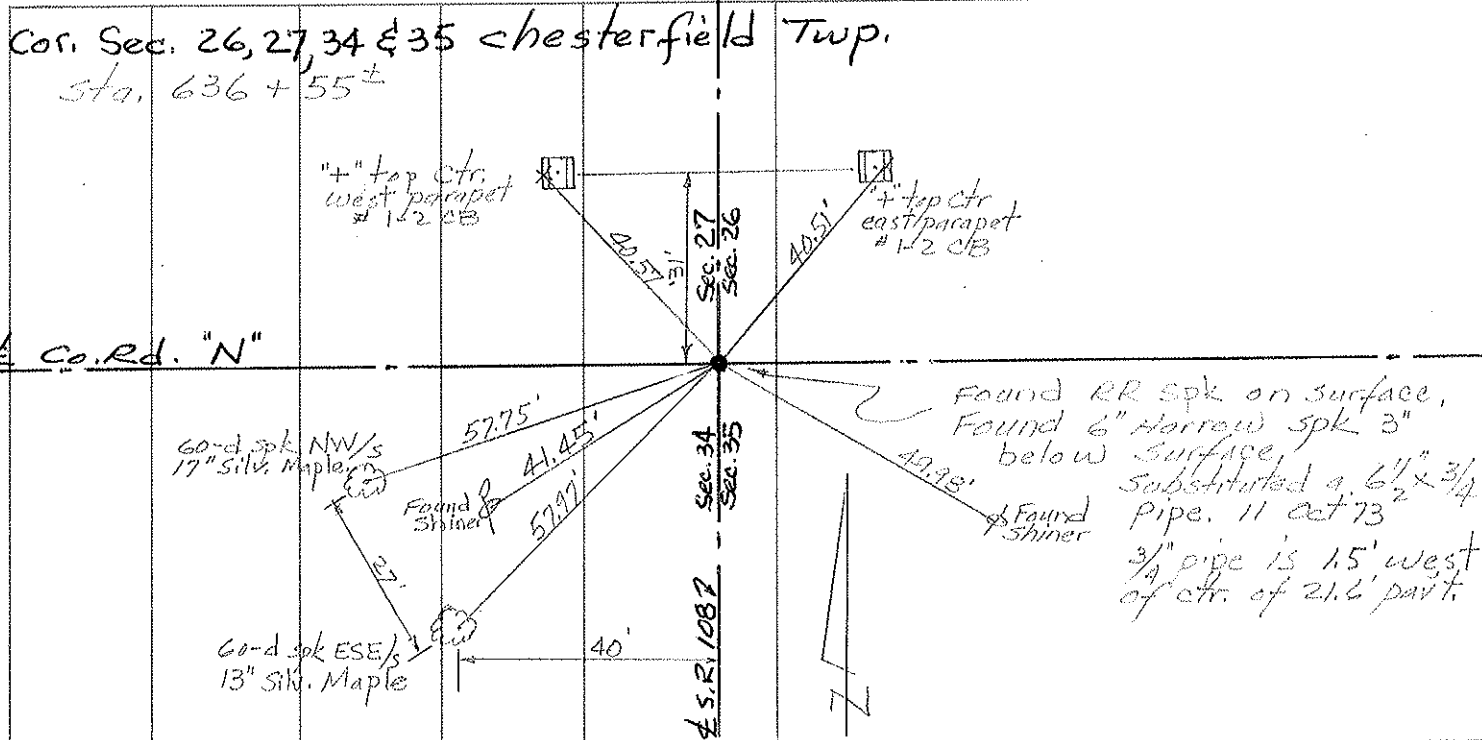
Set Small R.P. Spk. To Surface
5-22-87



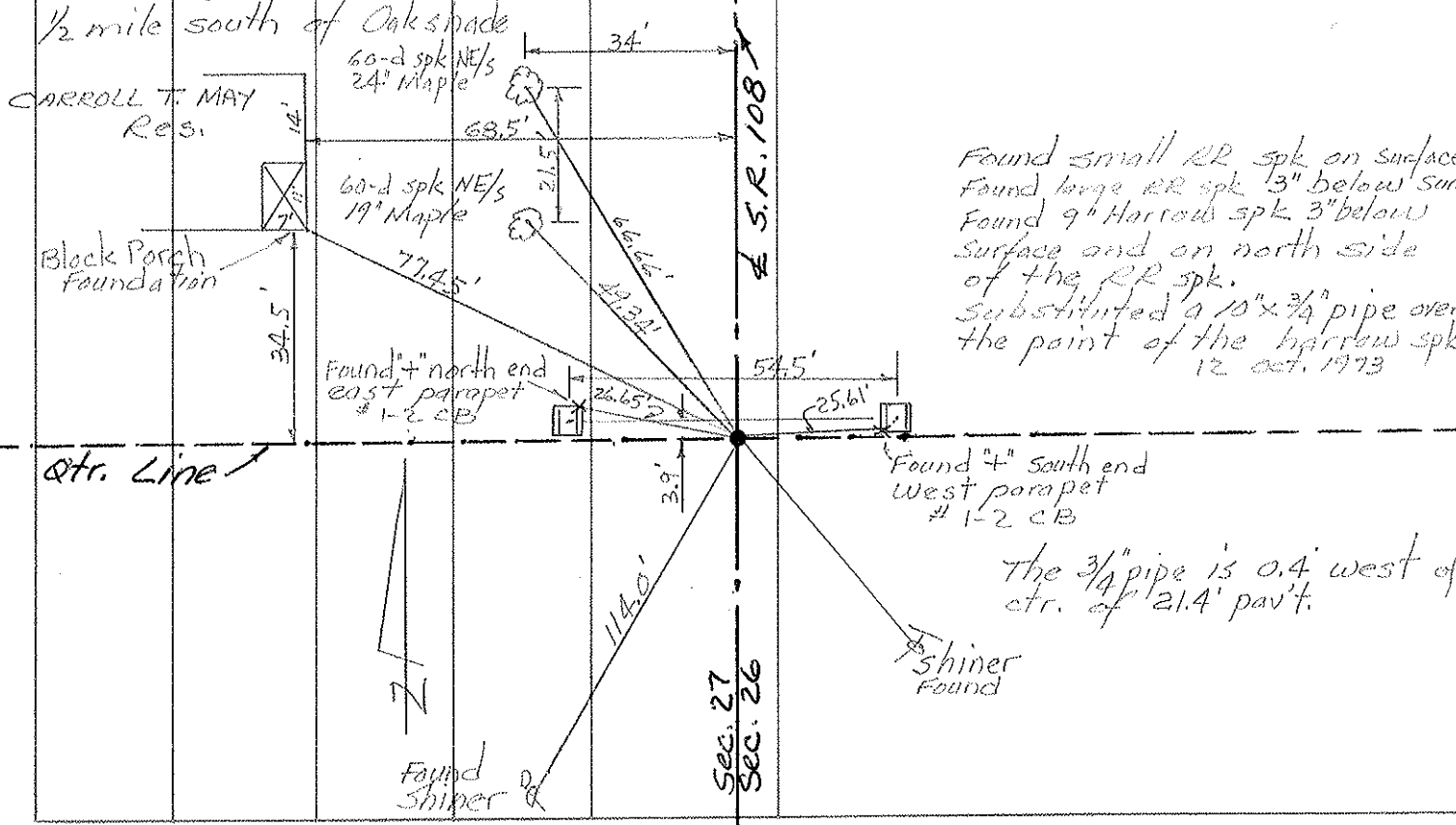
PERSONNEL TITLE PERSONNEL TITLE
 Red Beach
 Newcomb
 Krape

COUNTY Fulton DATE 12 Oct. 1973
 S. R. 108 WEATHER _____
 SEC. Chesterfield Twp TEMP. _____

DESCRIPTION CONTROL POINTS JOB NO. _____



E. Qtr. post Sec. 27 Chesterfield Twp.
 W. Qtr. post Sec. 26 Chesterfield Twp.
 Sta. 663 + 20 ±
 1/2 mile south of Oakshade



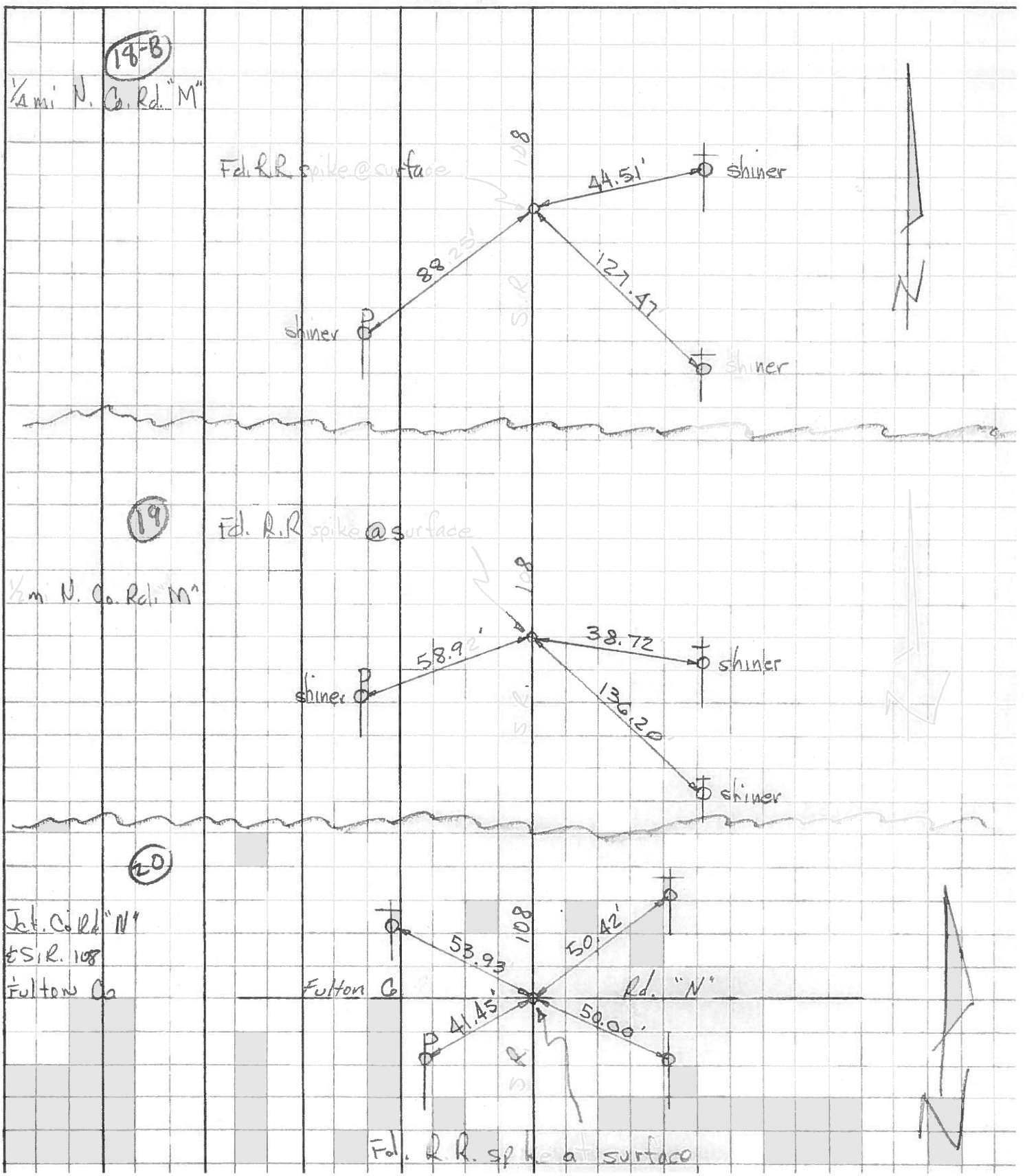
PERSONNEL	TITLE	PERSONNEL	TITLE
Tomsic			
Neuser			
Granata			
Sanya			

COUNTY Fulton DATE April 25, 1973

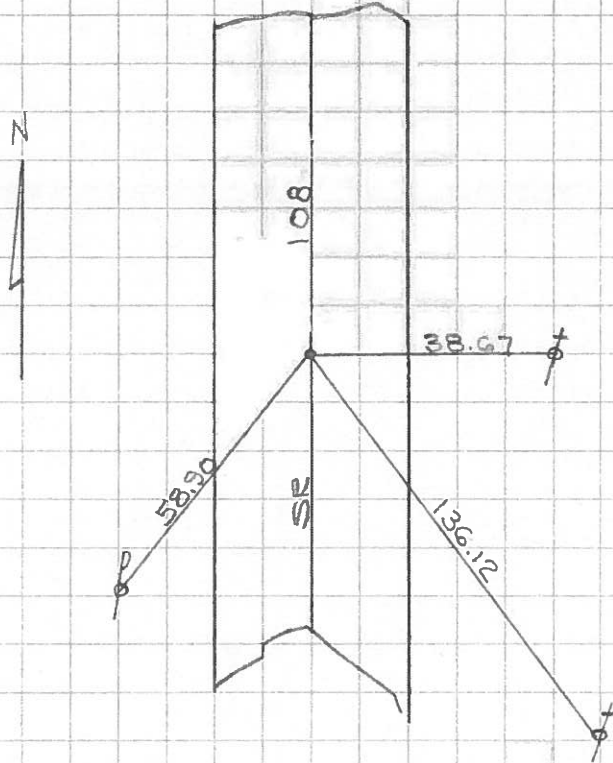
S. R. 108 WEATHER _____

SEC. _____ TEMP. _____

DESCRIPTION _____ LEFT _____ CENTER LINE _____ RIGHT _____ JOB NO. _____

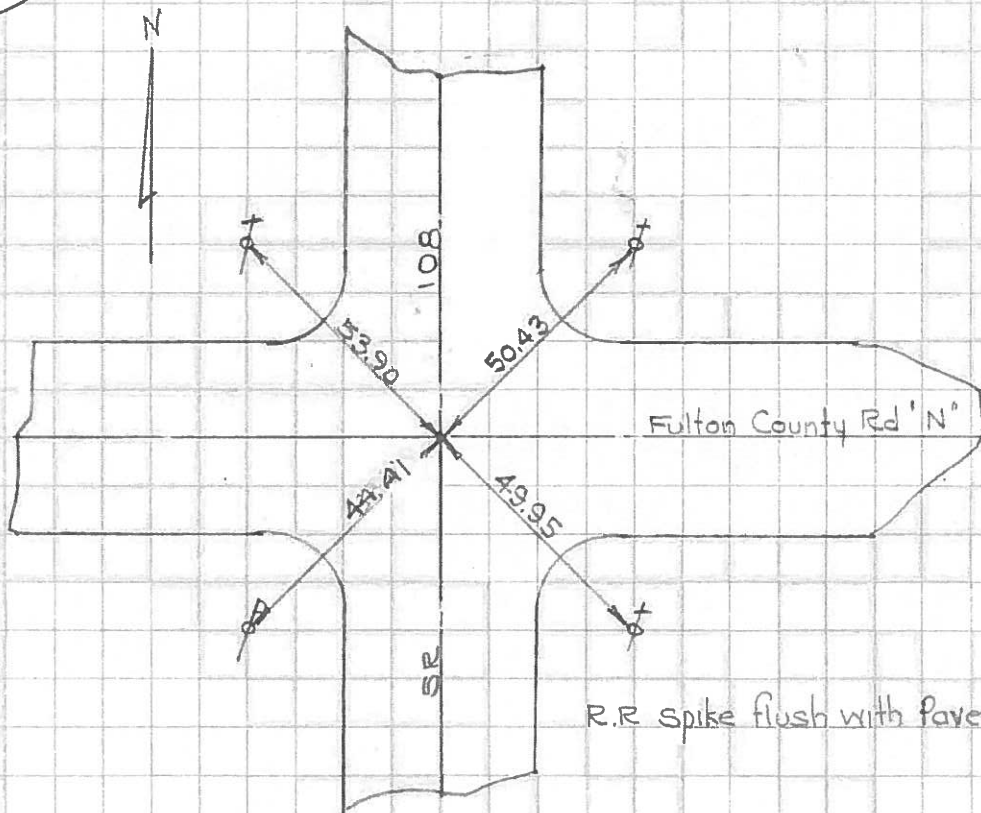


19



R.R spike flush with pavement
1/2 mi North County Rd "M"

20



R.R spike flush with pavement

PERSONNEL TITLE PERSONNEL TITLE

COUNTY Fulton DATE Aug., 30, 1962

S. R. #108 WEATHER Clear

SEC. C. R. J. to US #20 TEMP. +90°

DESCRIPTION LEFT CENTER LINE RIGHT JOB NO.

SR #108 Co., Rd. J North 60' P/W to Oak Shade

SW cor Sec. #2 Dover Town.
 Stone. Stake. 34.17 E. Ties Gone
 Stake. 40.00 W. Aug., 30, 1962
 1930 " Rd. #1" Spt. in T.P. 31.92 S.E.
 Co., Spt in fence post 34.50 N.W.

W 1/4 Sec. #2 Dover Twp.
 Stone 1930 Spt. in Apple Tree 30.67' S.W. Ties Gone
 Stake 34.0' N.W. Aug., 30, 1962
 Stake 32.0' S.E.
 Spt. in Cherry tree 44.75' East.

N.W. cor Sec. #2 Dover Twp. Aluminum Plate Stamped 798 feet.
 Stone 1930 U.S.G.S. B.M. 35.62' S.E.
 Co., Rd. #1 Spt. in Syc. Tree 34.0' N.W.
 Spt. in T.P. 44. ???
 Found USGS on S.E. corner but think it has been changed since tree was taken.

S.W. cor. Sec. #26 & N.W. cor. Sec. #35 & N.E. cor. Sec. #34 & S.E. cor. Sec. #27 Chesterfield Twp. Ful., Co.

Stone. Spt. in Maple. Stamp. 71.8' S.E. Ties Gone
 Wood Hub. 40.0 S.W. Aug., 30, 1962
 Twp pt. Wood Hub. & Guard. 40.0' N.W.
 #1 Near Side Creosoted T.P. 36.45 S.E.

N.W. cor. Sec. #26 & N.E. cor. Sec. #27 Chesterfield Twp. Ful., Co.

Stone #15 #20 S.E. Cor. Foundation of House 37.7 N.W. ok. Didn't dig.
 S.E. cor Brick porch Column 39.80 N.W. Gone. Aug., 30, 1962
 1/2 of paint (US 20 N) 12.8' S ok.
 E. edge of Conc. Walk. 31.54' W. ?
 P/W Mon. 17.15 N. ok

(over)

PERSONNEL TITLE PERSONNEL TITLE

COUNTY _____ DATE _____

S. R. _____ WEATHER _____

SEC. _____ TEMP. _____

DESCRIPTION _____ JOB NO. _____

LEFT

CENTER LINE

RIGHT

Found 2 points @ Co., Rd. "J" ± SR #108

Found P.K. Nail 1/2 Mi ± North of Co., Rd. "K" out 108

Found RR spt. E 1/4 Sec. #27 Chesterfield twp.
Ties Good Set New tie.