

O.D.O.T. DISTRICT 2 SURVEY OFFICE (USE ONLY)

PERSONNEL _____ REFERENCE NO. 21 SHEET 24 OF 26

NOTES RHOADES DATE 5/2/18 ROUTE SR 108

H.C. O'DONNELL WEATHER _____ WIND _____ COUNTY FULTON

R.C. SEAMAN TEMP. 71° TOWNSHIP CHESTERFIELD

SECTION 26

T 9 S R 2 E

TYPE MONUMENT _____ MAG/WASHER _____

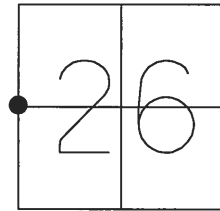
ON SURFACE - ~~BELOW~~ _____ ON _____

LEFT - ☉ PAV'T - ~~RIGHT~~ _____ 0.8'

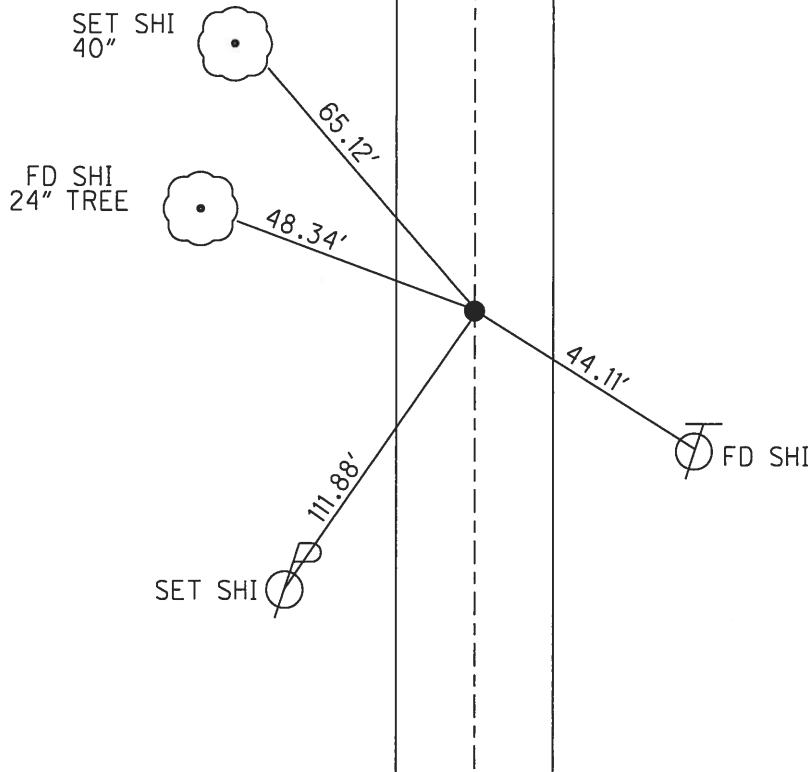
12' TO LT EDGE PAVEMENT

S.L.M. 663+44

GPS NORTHING: 731124.813 GPS EASTING: 1517071.392



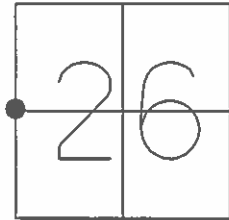
RECORD:
 FD R.R. SPIKE
 10-21-86
 SET SM. R.R. SPIKE
 5-22-87
 SET MAG/WASHER
 08-09-07, DCH
 FD MAG/WASHER
 REF21
 1-19-17, JFO
 SET MAG/WASHER
 8-7-18, JFO



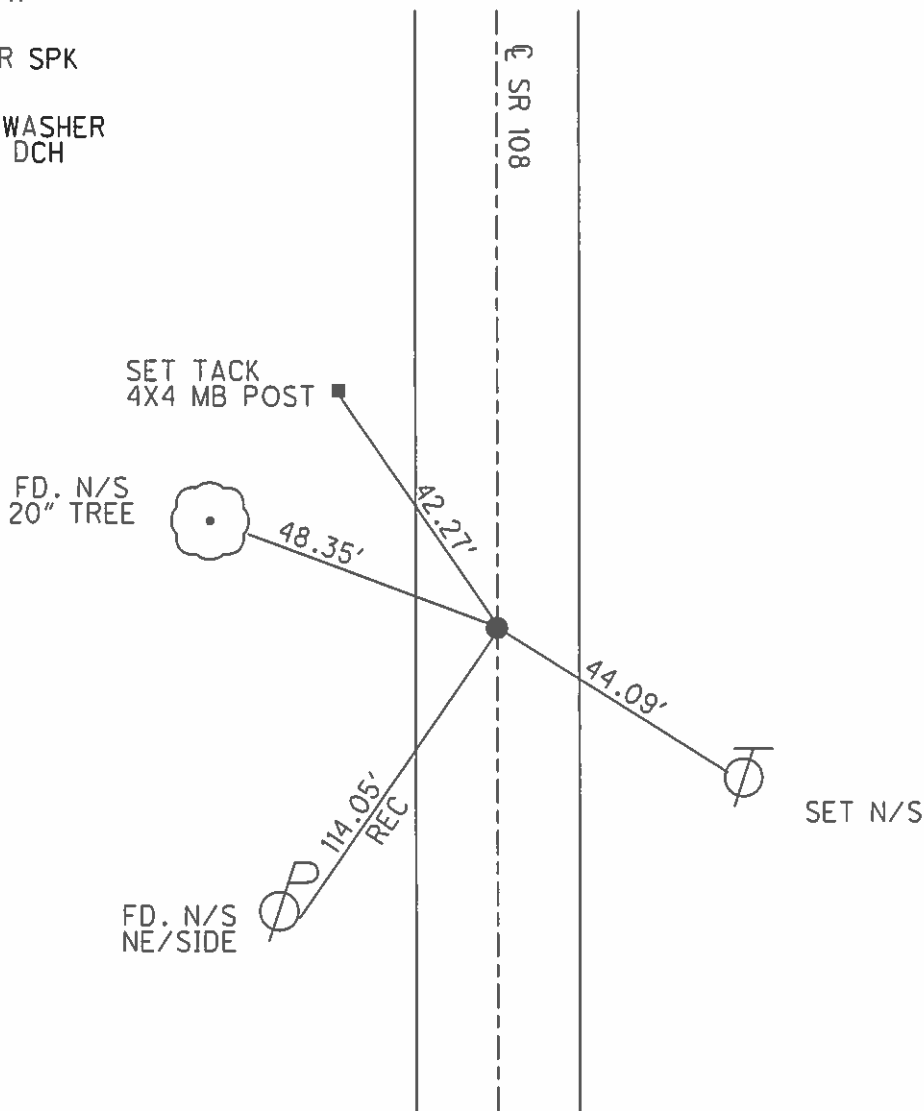
O.D.O.T. DISTRICT 2 SURVEY OFFICE (USE ONLY)

PERSONNEL _____ REFERENCE NO. 21 SHEET 22 OF 22
 NOTES CORDES DATE 6/20/07 ROUTE SR 108
 H.C. VIETH WEATHER SUNNY COUNTY FULTON
 R.C. CORDES TEMP. 81° TOWNSHIP CHESTERFIELD
 _____ SECTION 26
 _____ T 9 S R 2 E

TYPE MONUMENT SM.R.R.SPIKE
 ON SURFACE - ~~BELOW~~ ON
~~LEFT - C~~ PAV'T - ~~RIGHT~~ ON
12' TO LT EDGE PAVEMENT
 S.L.M. 663+44
 GPS NORTHING: 731124.806 GPS EASTING: 1517071.352



FD. RR SPK
 10-21-86
 SET SM RR SPK
 5-22-87
 SET MAG/WASHER
 08-09-07 DCH



O.D.O.T. DISTRICT 2 SURVEY OFFICE

PERSONNEL

REFERENCE NO. 21

SHEET 9 OF

NOTES 1. Stone

H.C. D. Curtis

R.C. J. Haushalter

DATE 21 Oct. 86

WEATHER Cloudy

TEMP. 54°

ROUTE SR#108

COUNTY Fulton

TOWNSHIP Chesterfield

SECTION

T R

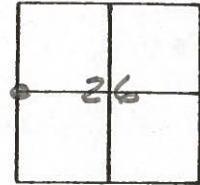
TYPE MONUMENT RR Spk in 1. Pipe

ON SURFACE - BELOW 2" deep

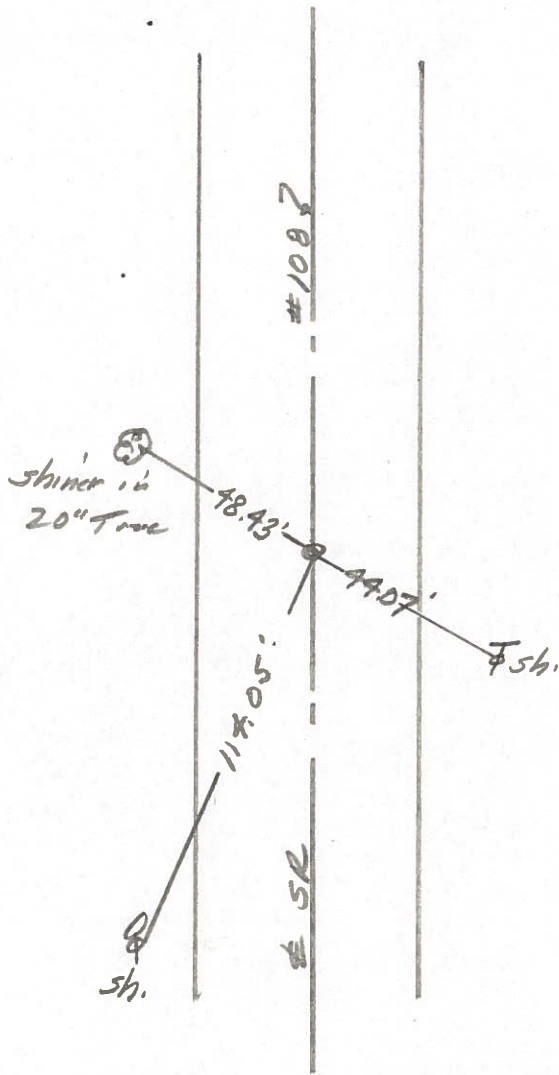
LEFT - PAV'T. - RIGHT

 TO EDGE PAVEMENT

S.L.M. 663+14



Set Small R.R. Spk. To Surface
5-22-87



PERSONNEL TITLE PERSONNEL TITLE

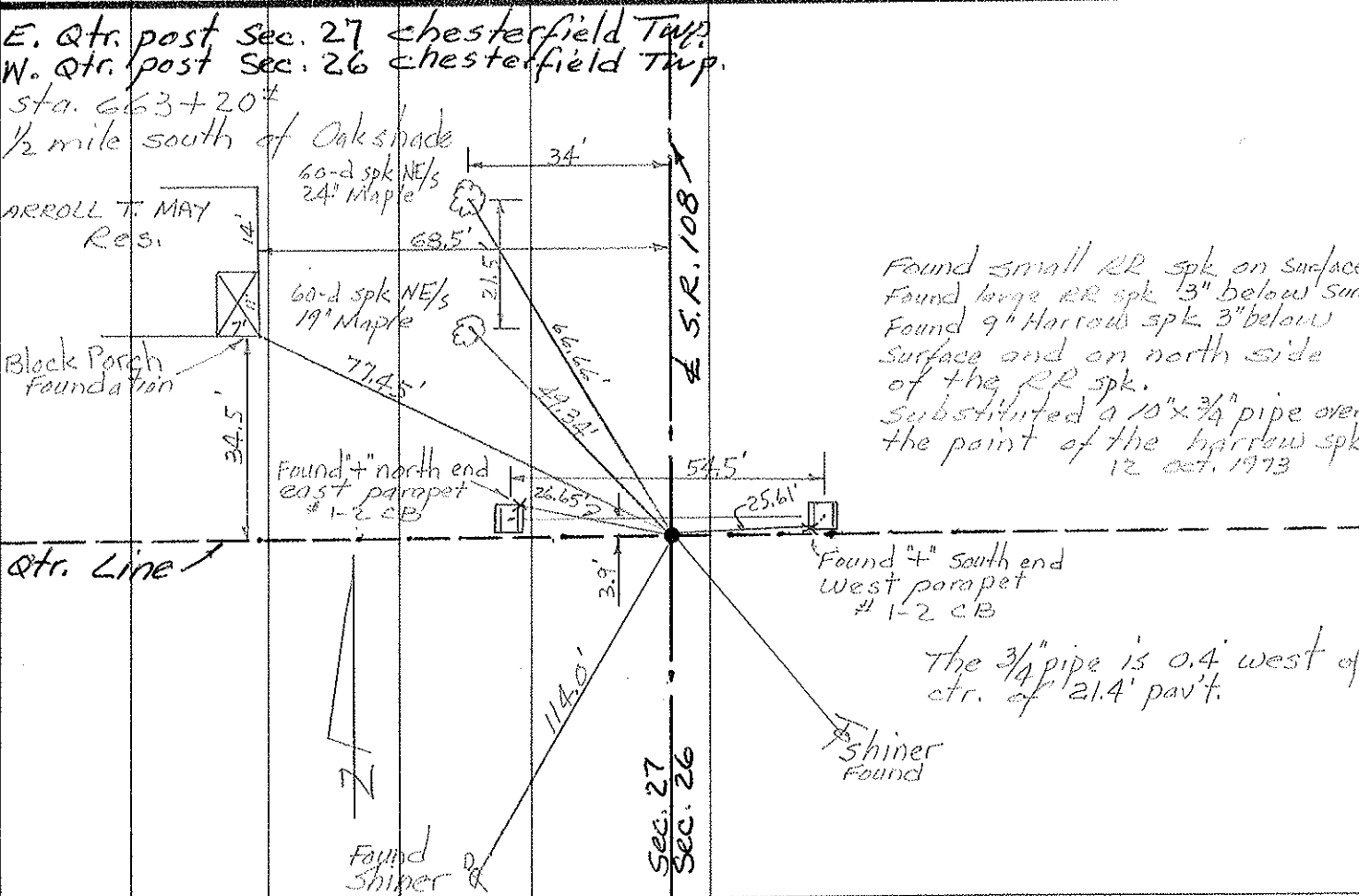
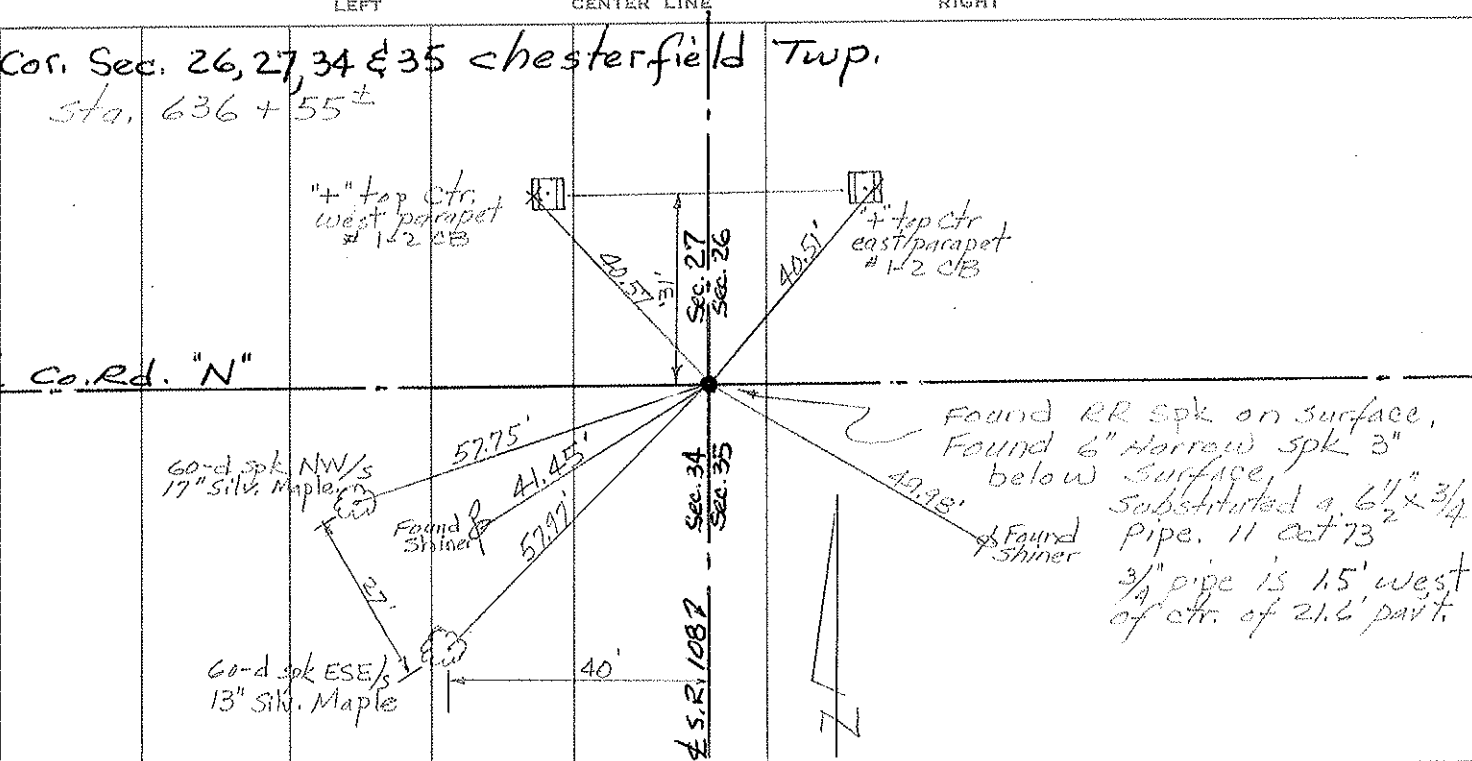
Red Beach
Newcomb
Krape

COUNTY Fulton DATE 12 Oct. 1973

S. R. 108 WEATHER _____

SEC. Chesterfield Twp TEMP. _____

DESCRIPTION CONTROL POINTS JOB NO. _____



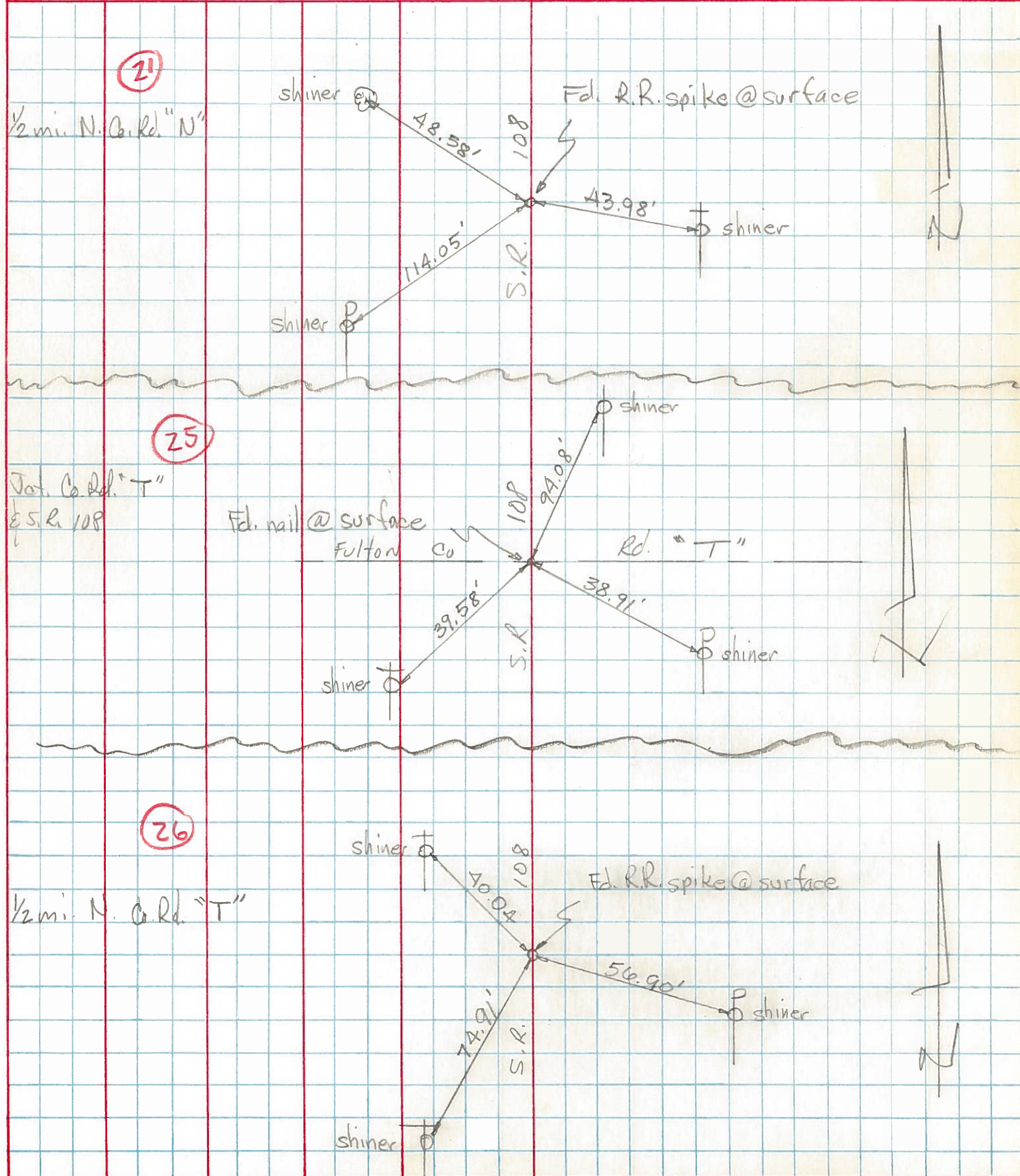
PERSONNEL	TITLE	PERSONNEL	TITLE
Tomsic			
Neuser			
Granata			
Vanyo			

COUNTY Fulton DATE April 25, 1973

S. R. 108 WEATHER _____

SEC. _____ TEMP. _____

DESCRIPTION _____ LEFT _____ CENTER LINE _____ RIGHT _____ JOB NO. _____

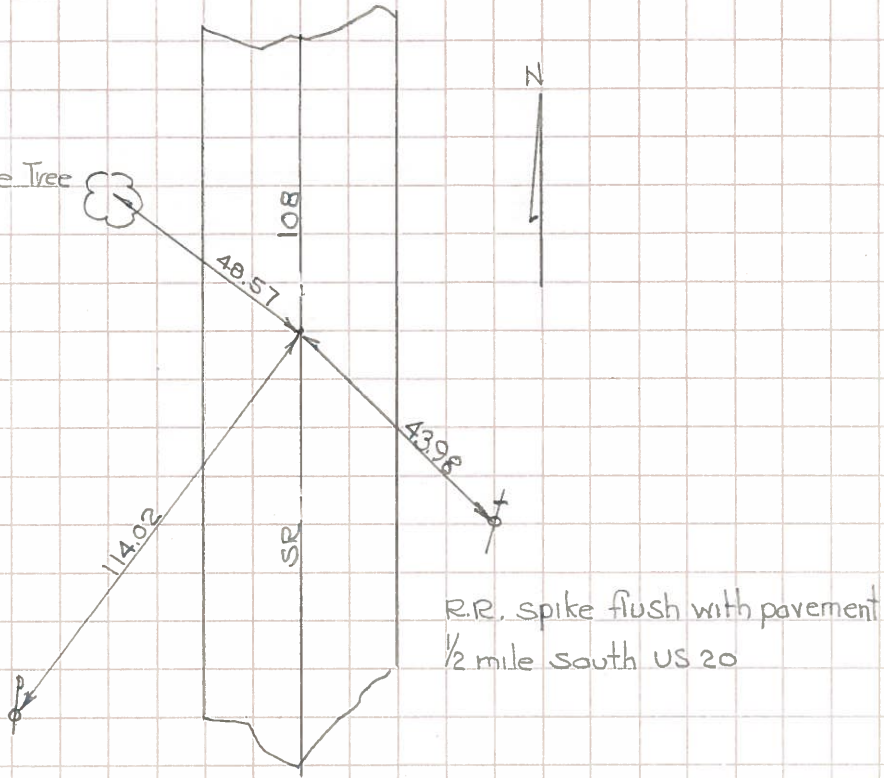


COMPUTATION SHEET

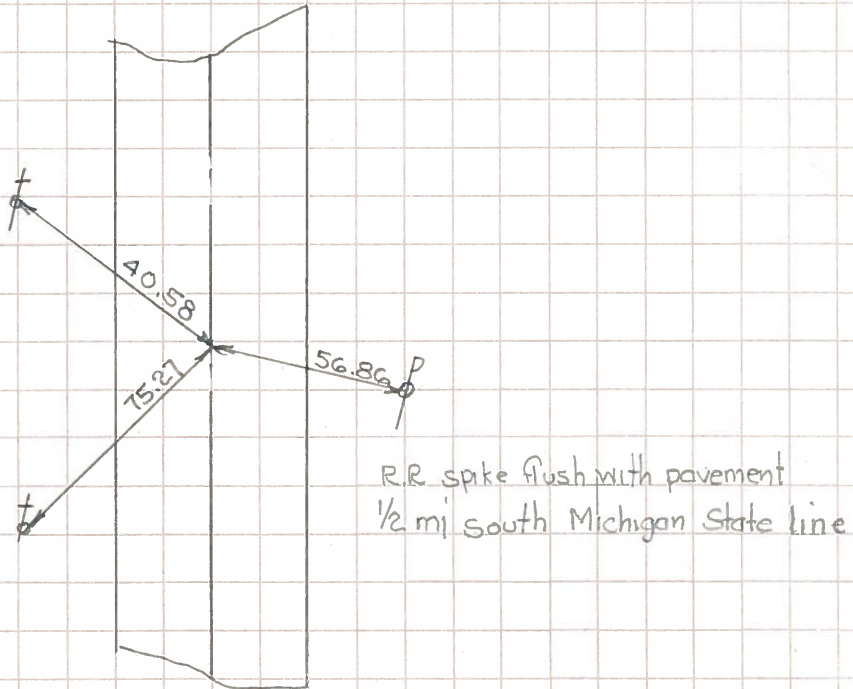
STATE OF OHIO - DEPARTMENT OF HIGHWAYS - BUREAU OF LOCATION AND DESIGN _____ COLUMBUS, OHIO
 BY Denno - Curtis - Granata - Oney DATE June 10, 1966 NO. _____ OF _____ SHEETS
 COUNTY Fulton SECTION _____
 DIV. NO. 2 S.R. 108 U.S.R. _____ I. R. _____
 SUBJECT OF THIS SHEET Monument Ref SR 108

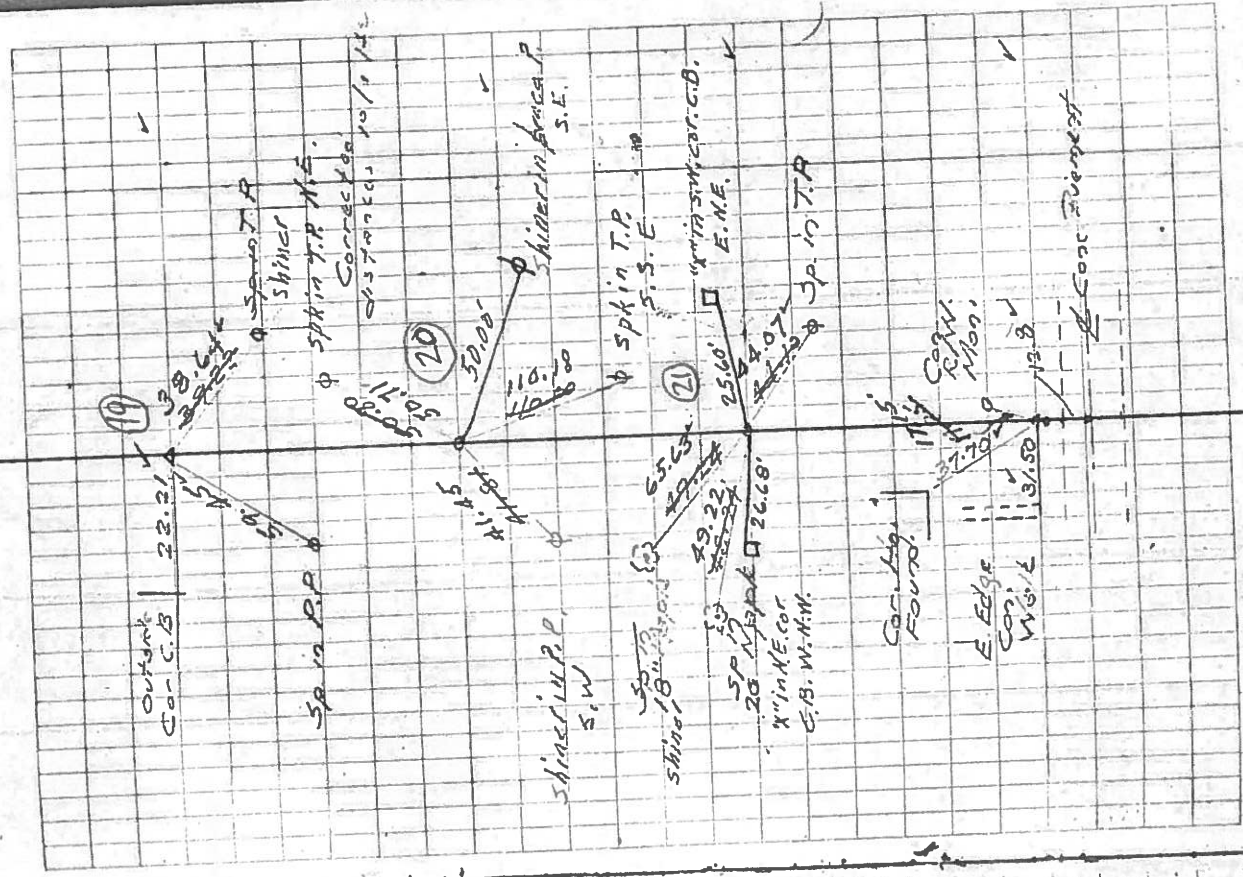
21

Shiner 17 1/2" Maple Tree



20





323+99.20 P.I. R.R. Spike
 Set New Pin (Harrow Tooth) 10/1/62
 Found 9-7-62 M.M.
 Set R.R. Spk 11-2-62 (19)

350+51.35 P.I. Stone
 Set New Pin (Harrow Tooth) 10/1/62
 Found 9-7-62 M.M.
 Set R.R. Spk 11-2-62 (20)

377+14.70 P.I. Iron Pin
 Set New Pin (Harrow Tooth) 10/1/62
 Found Aug 30, 1962 M.M.

Set R.R. Spk 11-2-62 (21)

403+72.60 Stone
 Set R.R. Spk Aug 30, 62
 M.M.