

O.D.O.T. DISTRICT 2 SURVEY OFFICE (USE ONLY)

PERSONNEL _____

REFERENCE NO. 21 A

SHEET 1 OF 6

NOTES LEU

DATE 4/15/16

ROUTE SR 108

H.C. HOMAN

WEATHER SUNNY

COUNTY FULTON

R.C. LEU

TEMP. 62°

TOWNSHIP CHESTERFIELD

DWG BY NIESE PID PAVETRAIN

SECTION 20

T 9 S R 2 E

TYPE MONUMENT MAG NAIL SHANK

ON SURFACE - ~~BELOW~~ ON

OFFSET \odot PAVEMENT 0.5' \pm : RT

13.2' TO LT EDGE PAVEMENT

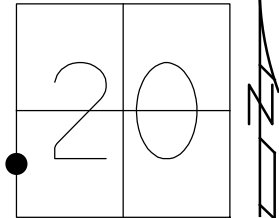
STATION: 861+76

HORZ.DATUM: NAD83(2011)

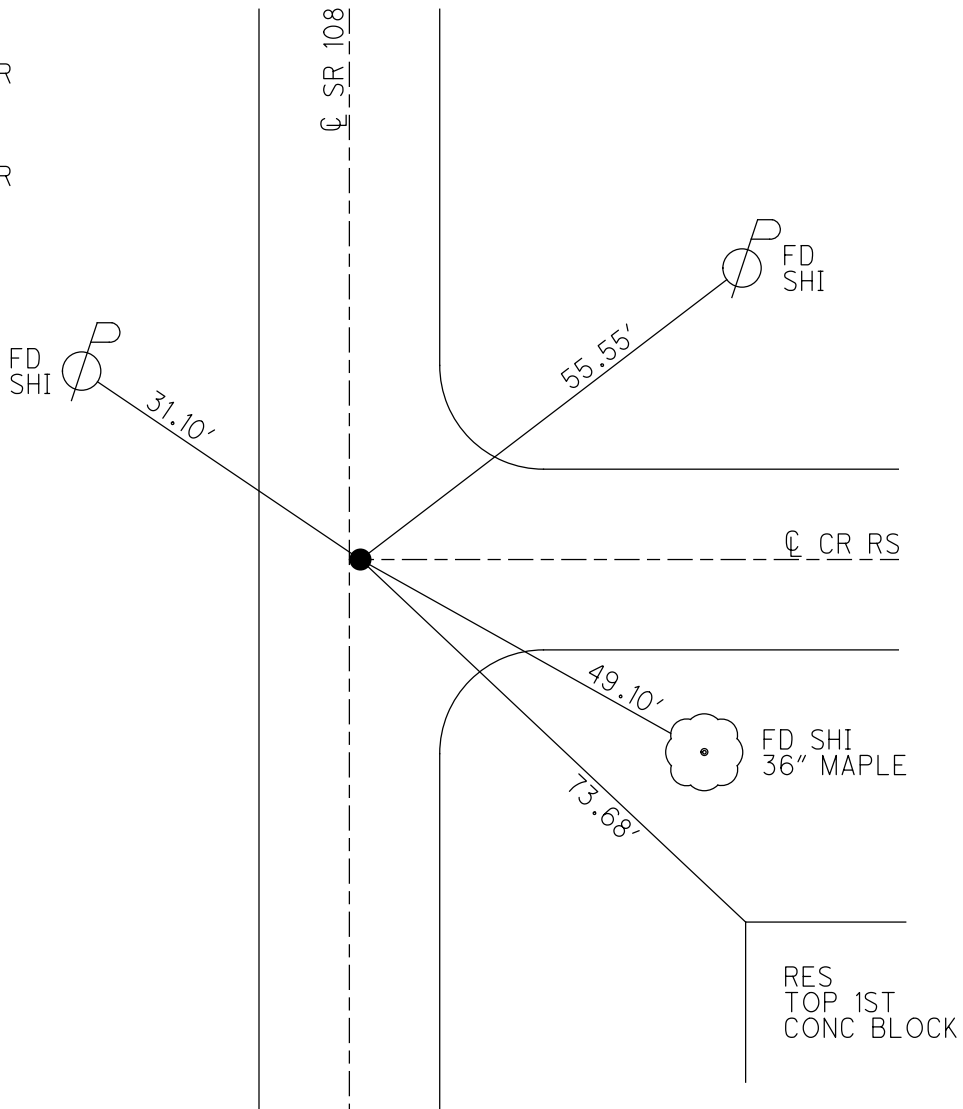
GEOID: NAVD88 2012A

GRID: NORTHING: 734997.329

EASTING: 1501209.482



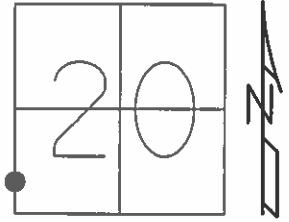
RECORD:
 SET MAG/WASHER
 6/2/04, RN
 FD MAG SHANK
 4/15/16, DCH
 SET MAG/WASHER
 9/9/16, DCH
 FD MAG/WASHER
 REFA21
 6/16/21
 9/17/21, TDN



O.D.O.T. DISTRICT 2 SURVEY OFFICE (USE ONLY)

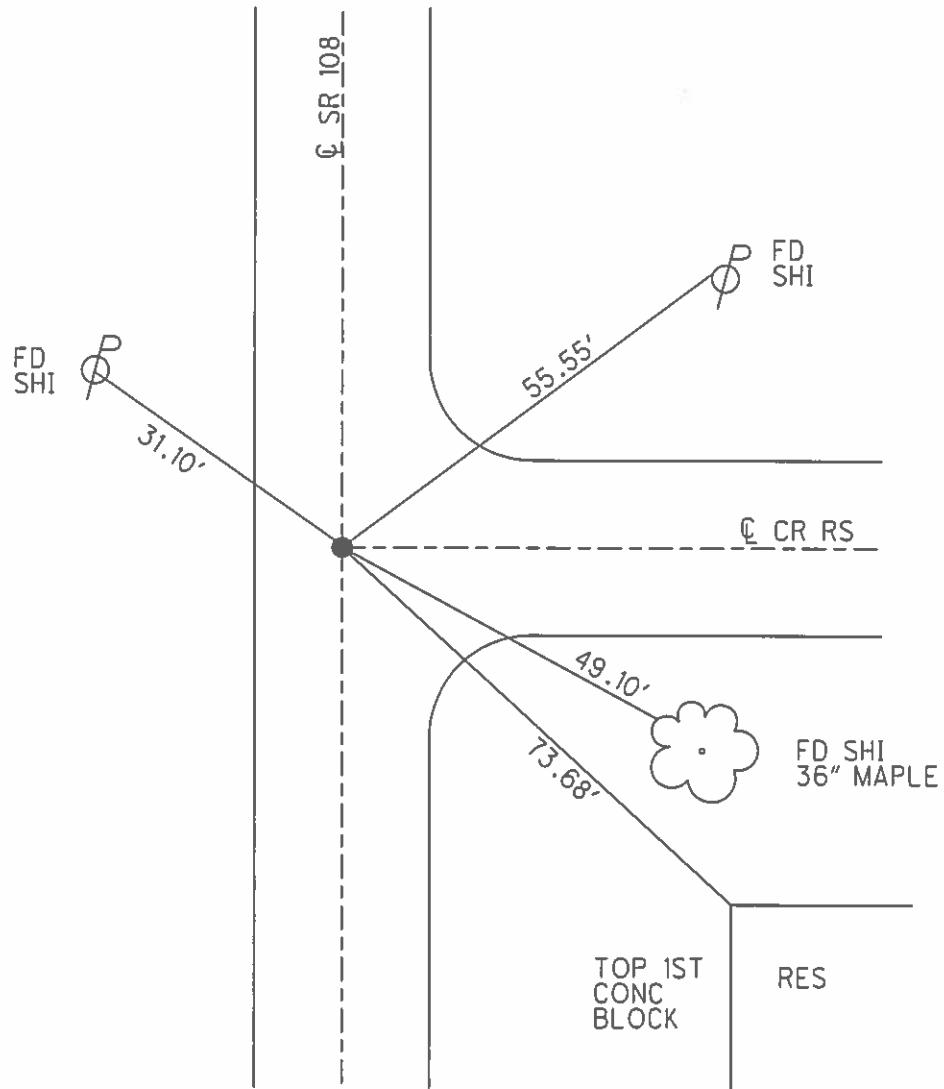
PERSONNEL _____ REFERENCE NO. 21 A SHEET 2 OF 7
 NOTES LEU DATE 04-15-2016 ROUTE SR 108
 H.C. HOMAN WEATHER SUNNY COUNTY FULTON
 R.C. LEU TEMP. 62°F TOWNSHIP CHESTERFIELD
 _____ SECTION 20
 _____ T 9 S R 2 E

TYPE MONUMENT MAG NAIL SHANK
~~ON SURFACE~~ - BELOW ON
~~LEFT - C PAV'T~~ - RIGHT 0.5'
13.2' TO LT EDGE PAVEMENT
 S.L.M. 861+76



GRID: NORTHING: 734997.272 EASTING: 1501209.514

SET MAG/WASHER
 6-02-04, RN
 SET MAG/WASHER
 REFA21
 9/9/16, DCH



O.D.O.T. DISTRICT 2 SURVEY OFFICE

PERSONNEL

REFERENCE NO. 21-A

SHEET 2 OF 7

NOTES HUSS

DATE 5-06-04

ROUTE SR 108

H.C. HOMAN

WEATHER SUNNY

COUNTY FULTON

R.C. HOOKER

TEMP. 80°

TOWNSHIP CHESTERFIELD

SECTION 20

T 9 S R 2 E

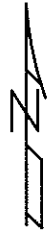
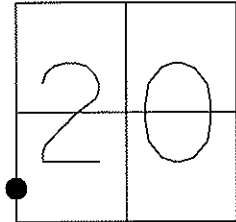
TYPE MONUMENT PK NAIL

~~ON SURFACE~~ - BELOW 3"

~~LEFT - C PAVT~~ - RIGHT 0.5' RT

13.2' TO LT EDGE PAVEMENT

S.L.M. 861+76



SET MAG NAIL
& WASHER
6-02-04
RN

SET N&S
SE/S



31.09'

S.R. 108

C. PAVEMENT

55.57'

FD N&S
SW/S



C. PAVEMENT C.R. RS

49.25'

73.69'



SET N&S
NW/S
36" MAPLE

TOP 1st
CONC
BLOCK

RES

O.D.O.T. DISTRICT 2 SURVEY OFFICE

PERSONNEL _____

REFERENCE NO. 21-A

SHEET 1 OF 6

NOTES D. CURTIS

H.C. J. HOUSEHOLDER

R.C. _____

DATE MAY 31, 88

WEATHER WARM

TEMP. 90°

ROUTE S.R. #108

COUNTY FULTON

TOWNSHIP CHESTERFIELD

SECTION 20

T _____ R _____

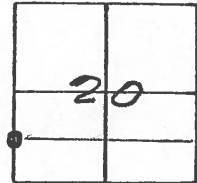
TYPE MONUMENT P.K. NAIL

ON SURFACE - BELOW ON SURFACE

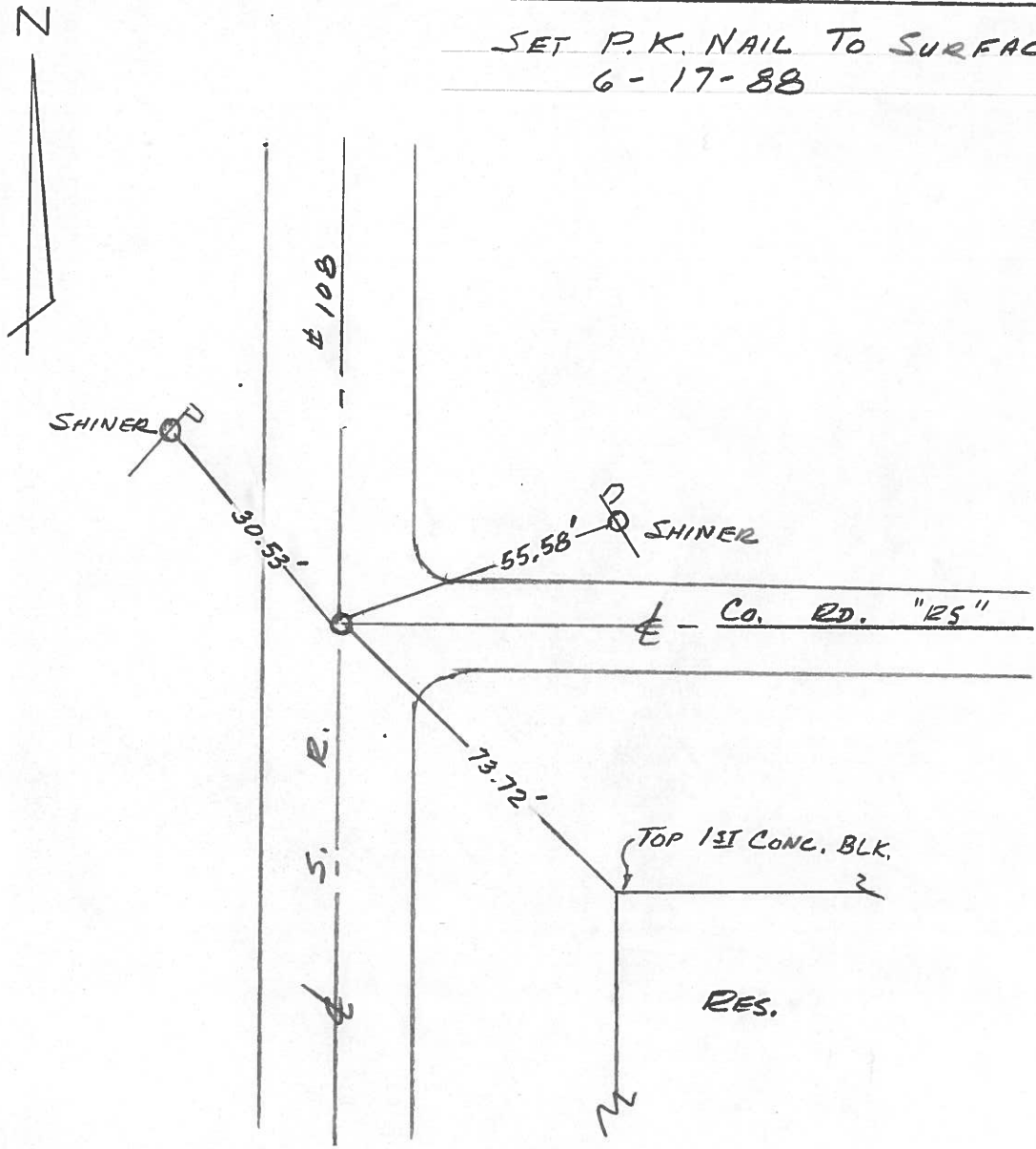
LEFT - € PAV'T. - RIGHT € PAV'T

13.2 TO W. EDGE PAVEMENT

S.L.M. 861 + 76



SET P.K. NAIL TO SURFACE
6-17-88



O.D.O.T. DISTRICT 2 SURVEY OFFICE

SHEET 1 OF

County Fulton S.R. 108

Township Chesterfield

Section 20

T N, R E

Personnel L. Stone

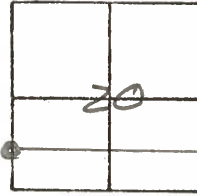
P. Neuse

D. Curtis

Date OK-6-1-81 S.W.H.
11 May 81

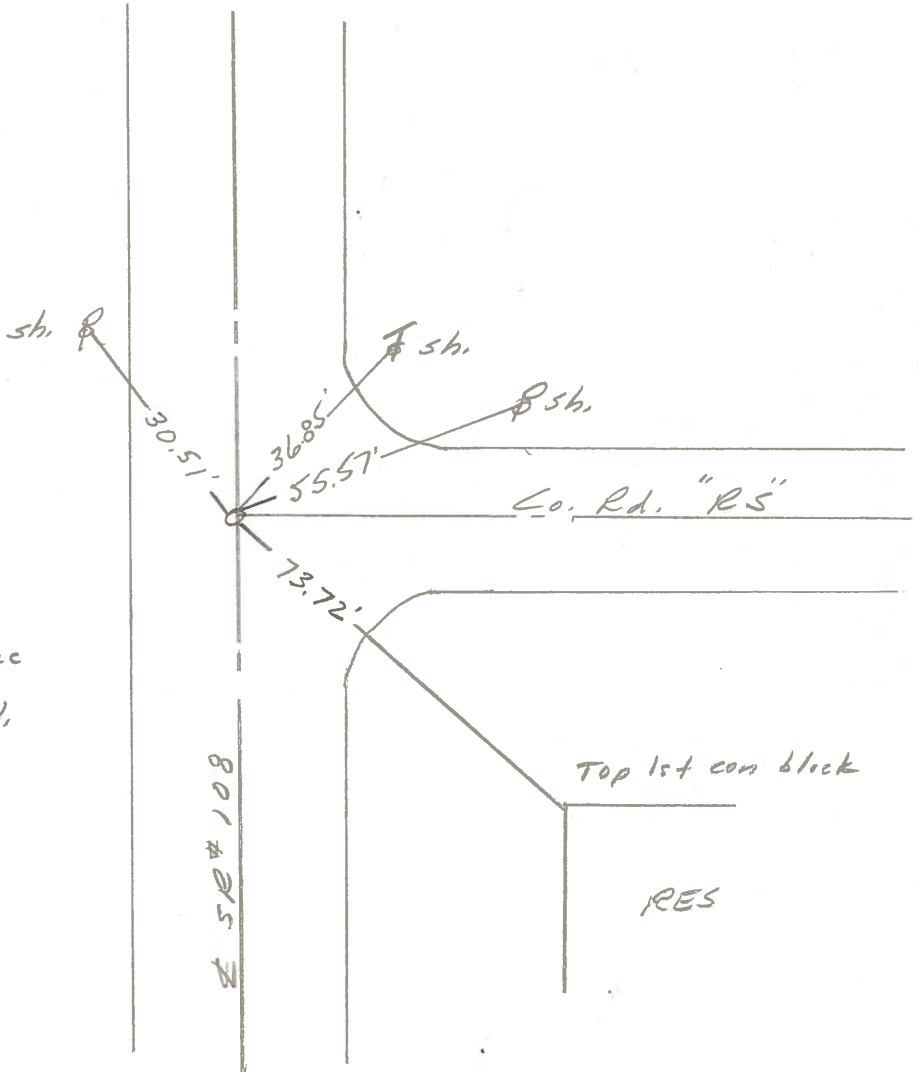
Weather Cloudy

Temp. 45°



21-A

REF. NO. 21-A



RE-SET P.K.

FA. PK Nail To Surface

10.78' to West E. Pt.
13.2'

E 5E # 108

Top 1st con block

RES

ODOT. DISTRICT 2 SURVEY OFFICE

SHEET 1 OF

County Fulton S.R. 108

Date 11 May 81

Township Chesterfield

Weather Cloudy

Section 20

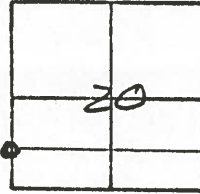
Temp. 75°

T N, R E

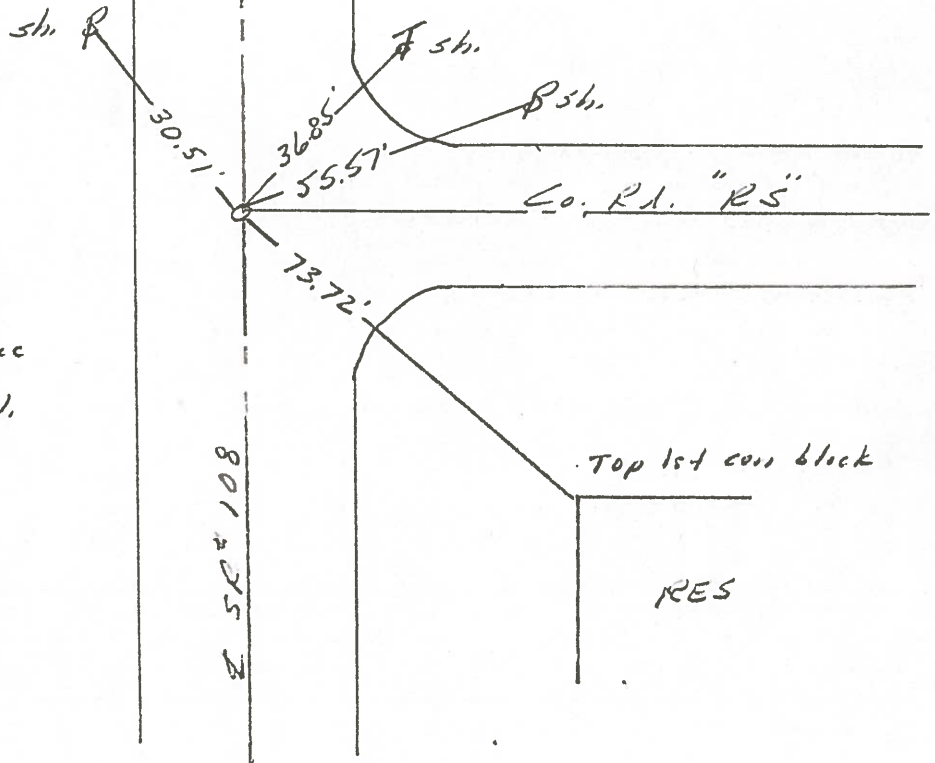
Personnel L. Stone

P. Neuse

D. Curtis



REF. NO. **21A**



Fd. PK Nail To Surface
~~10.8'~~ to West E. Pkt.
→ 13.02

SET P.K. NAIL

PERSONNEL	TITLE	PERSONNEL	TITLE	COUNTY	DATE
Stanc				Fulton	25 Aug 77
E				S. R. #100	WEATHER Fair
Crew				SEC. US#20 - N. to Mich. Line	TEMP. 70°

DESCRIPTION _____ *References* _____ JOB NO. _____

