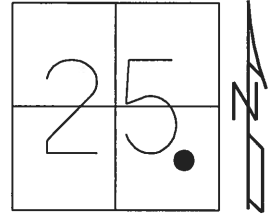


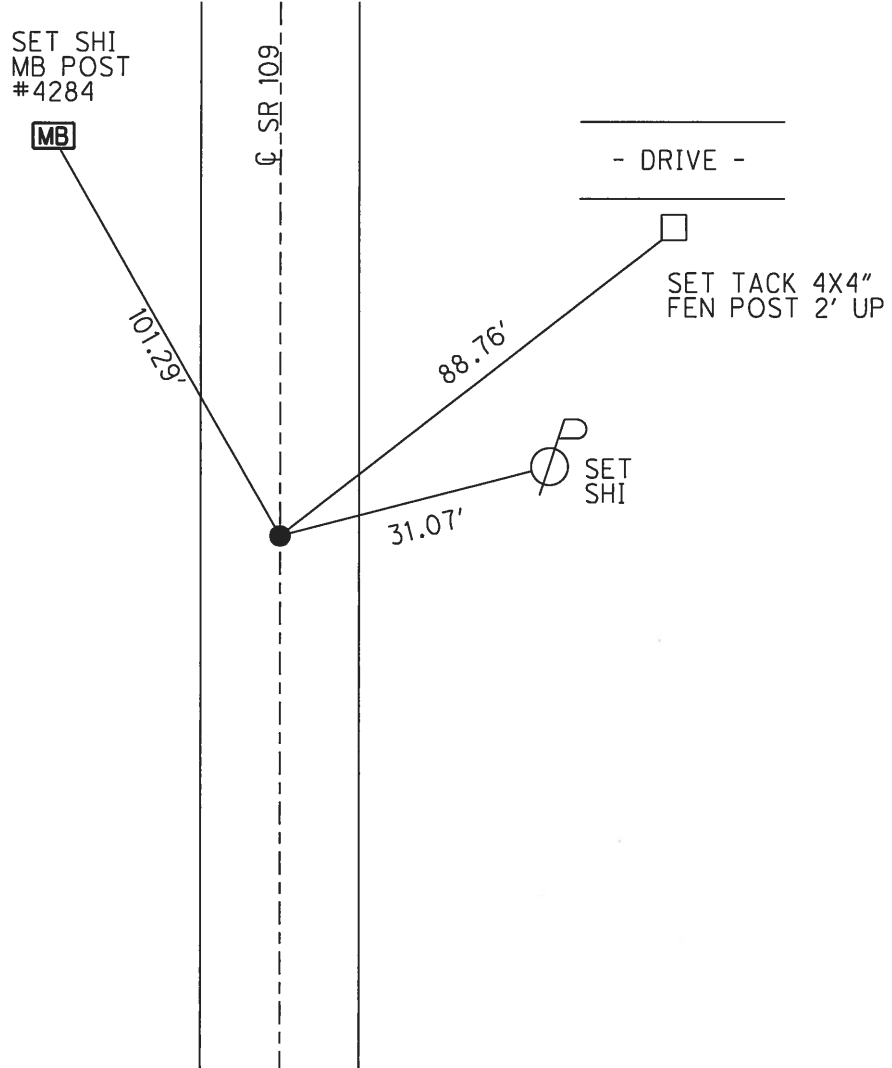
O.D.O.T. DISTRICT 2 SURVEY OFFICE (USE ONLY)

PERSONNEL _____ REFERENCE NO. 10 A SHEET 14 OF 31
 NOTES RHOADES DATE 7-26-17 ROUTE SR 109
 H.C. O'DONNELL WEATHER SUNNY COUNTY FULTON
 R.C. CARSON TEMP. 67° TOWNSHIP YORK
 _____ SECTION 25
 _____ T 7 N R 7 E

TYPE MONUMENT SM.R.R.SPIKE
 ON SURFACE - ~~BELOW~~ ON _____
 LEFT - ☉ PAV'T - RIGHT ON _____
10.4' TO LT EDGE PAVEMENT
 S.L.M. 183+94.45
 GRID: NORTHING: 683940.997 EASTING: 1556823.039



RECORD:
 FD P.K.NAIL
 COR. SEC. 25
 5-24-82, STONE
 RESET SM.R.R.SPK
 8-23-01, MDB
 FD SM.R.R.SPIKE
 10-29-15
 REFA10
 12-18-15, JFO
 SET MAG/WASHER
 12-1-17, JMR



O.D.O.T. DISTRICT 2 SURVEY OFFICE (USE ONLY)

PERSONNEL

REFERENCE NO. 10-A

SHEET 14 OF 14

NOTES BARNHISEL

DATE 07-06-01

ROUTE SR 109

H.C. CORDES

WEATHER SUNNY

COUNTY FULTON

R.C. BARNHISEL

TEMP. 75°

TOWNSHIP YORK

SECTION 25

T 7 N R 7 E

TYPE MONUMENT _____ PK/WASHER _____

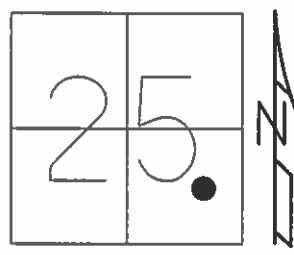
ON SURFACE - ~~BELOW~~ _____ ON _____

LEFT - ☉ PAV'T - RIGHT _____ ON _____

10.4' TO LT EDGE PAVEMENT

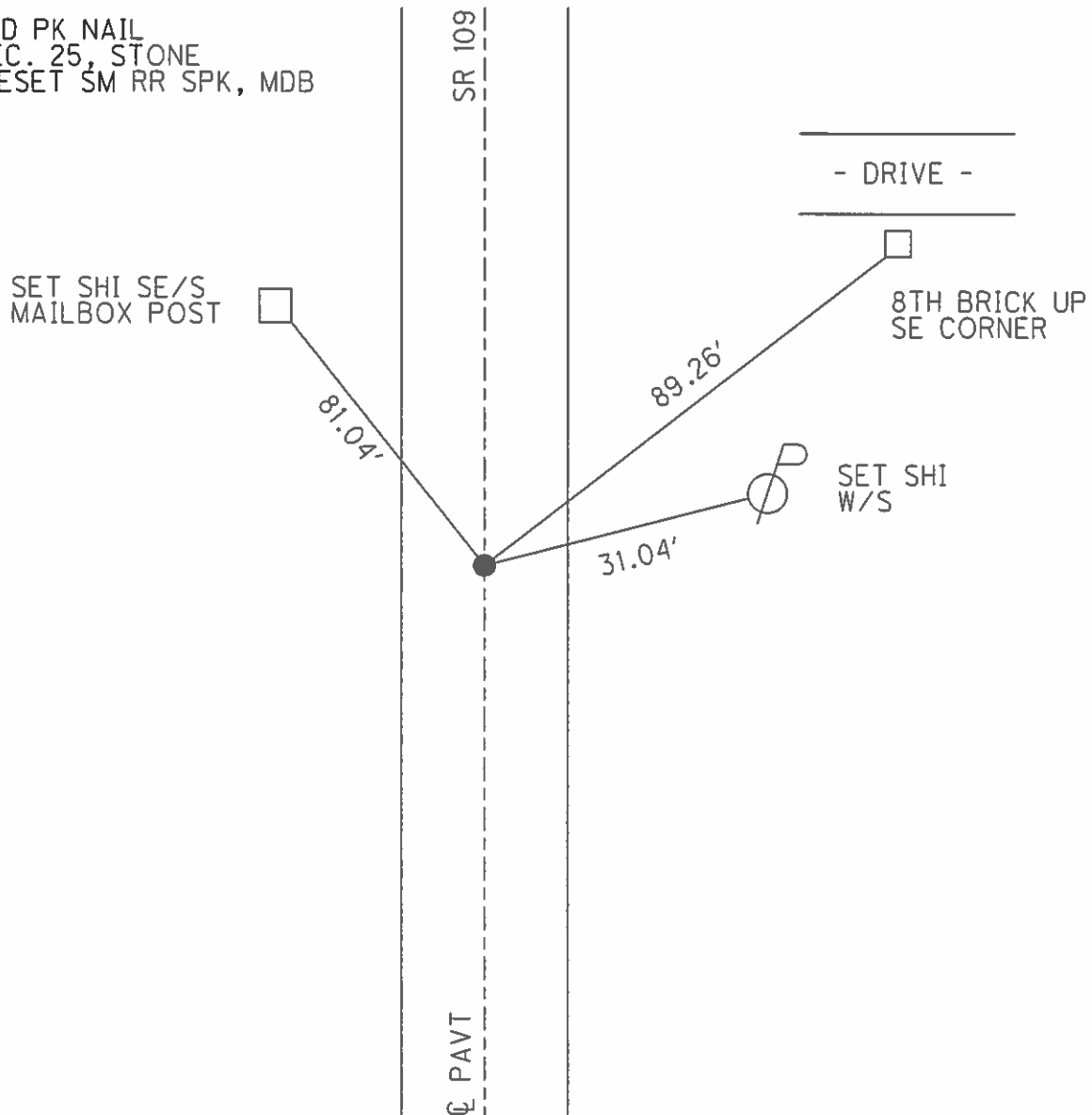
S.L.M. _____ 183+90 _____

Grid: Northing: _____ Easting: _____



RECORD:

05-24-82 FD PK NAIL
 1/16 COR. SEC. 25, STONE
 08-23-01 RESET SM RR SPK, MDB



O.D.O.T. DISTRICT 2 SURVEY OFFICE

PERSONNEL _____

REFERENCE NO. 10-A

SHEET 2 OF 15

NOTES BARNHISEL RC

H.C. CORDES

DATE 7-6-01

ROUTE 109

R.C. _____

WEATHER SUNNY

COUNTY FULTON

TEMP. +75°

TOWNSHIP YORK

SECTION 25

T 7 N R 7 E

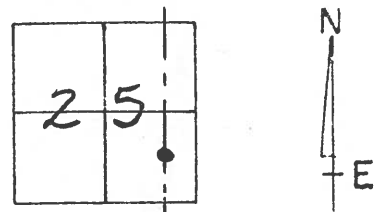
TYPE MONUMENT PK/WASHER

ON SURFACE - ~~BELOW~~ yes

~~LEFT - & PAV'T. - RIGHT~~ yes

10.4' TO LT EDGE PAVEMENT

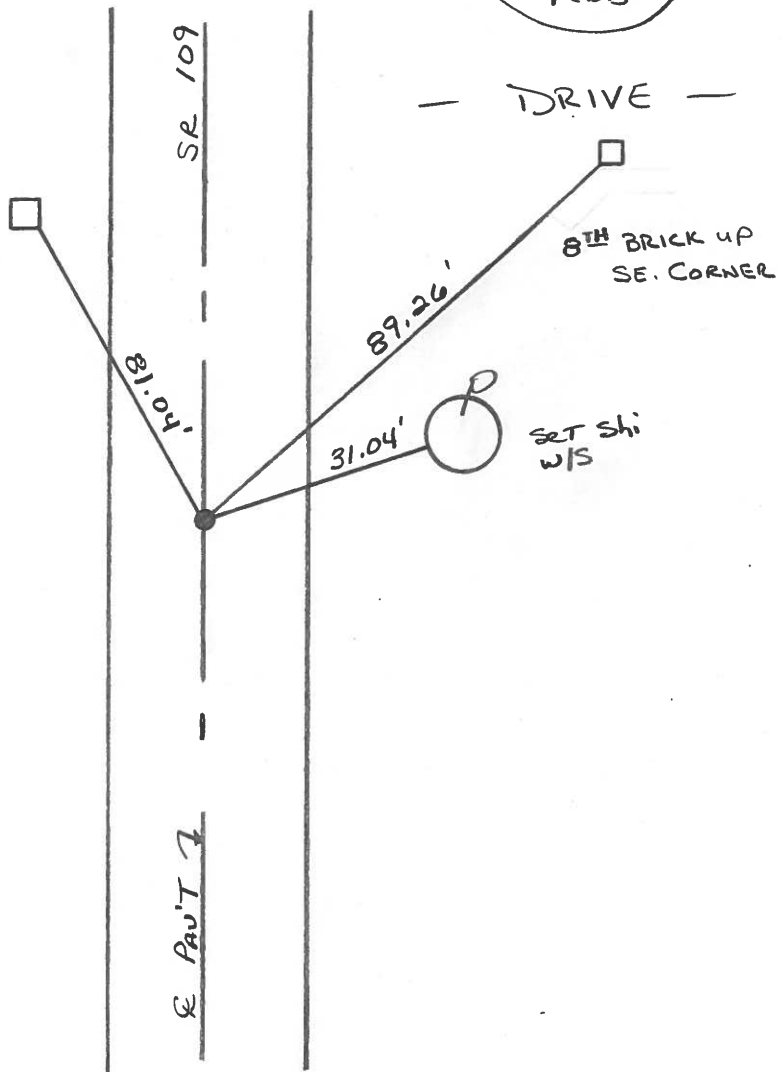
S.L.M. 183+90



RECORD: FD PK NAIL
 1/16 COR. SEC. 25
 5-24-82
 STONE

RESET SM RR SPIKE
 8-23-01
 MDB

SET SHI
 IN SEIS
 M.B. POST



O.D.O.T. DISTRICT-2 SURVEY OFFICE

PERSONNEL

REFERENCE NO. 10-A

SHEET 12 OF 27

NOTES CORDES

H.C. HERMILLER

DATE 8-10-94

ROUTE 109

R.C. SLOVAK

WEATHER SUNNY

COUNTY FULTON

CANTERBURY P

TEMP. +65° F

TOWNSHIP YORK

SECTION 25

T 7 N R 7 E

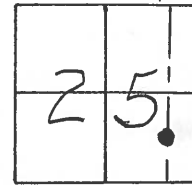
TYPE MONUMENT PK NAIL

ON SURFACE - BELOW 1 1/2"

LEFT- & PAVT. - RIGHT YES

10.1 TO LT. EDGE PAVEMENT

S.L.M. 183+90

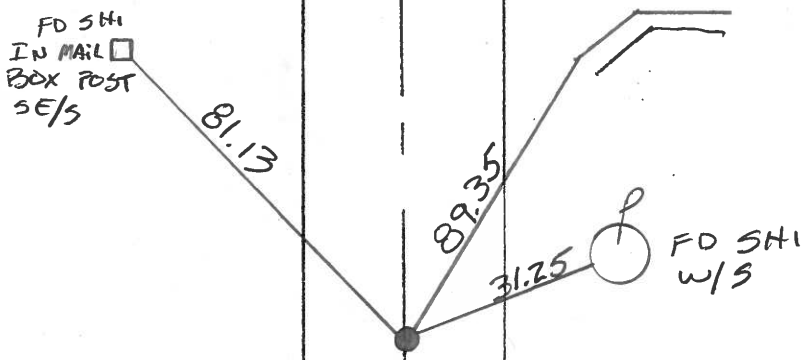


RECORDED:
 Fd PK NAIL
 1/16 COR. Sec. 25
 5-24-82
 STONE

SET PK & WASHER
 10-13-94
 BVD

FD SHI
 IN MAIL
 BOX POST
 SE/S

1/2" BRICK ON
 PED. SE CORNER



S.E. 109

& PAVT

County Fulton S.R. 109

Date 24 May 82

Township York

Weather Fair

Section 25

Temp. 70°

T, N, R, E

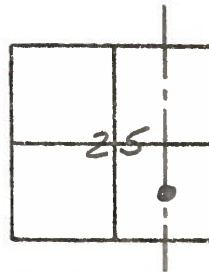
Personnel I. Stone

P. Neuse

D. Curtis

D. Michalak

#10-A



REF. NO. 10A



shiner's
mail box
post



109

SR

shiner's
sign post

76.95'

shiner

FA. PK Nail To Surface

1/16" dia. 5" L. 25

9.4' to E. edge put.

9.5' to W. edge put.

S.L.M. Sta. 183+93