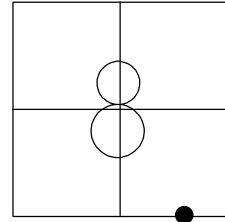


O.D.O.T. DISTRICT 2 SURVEY OFFICE (USE ONLY)

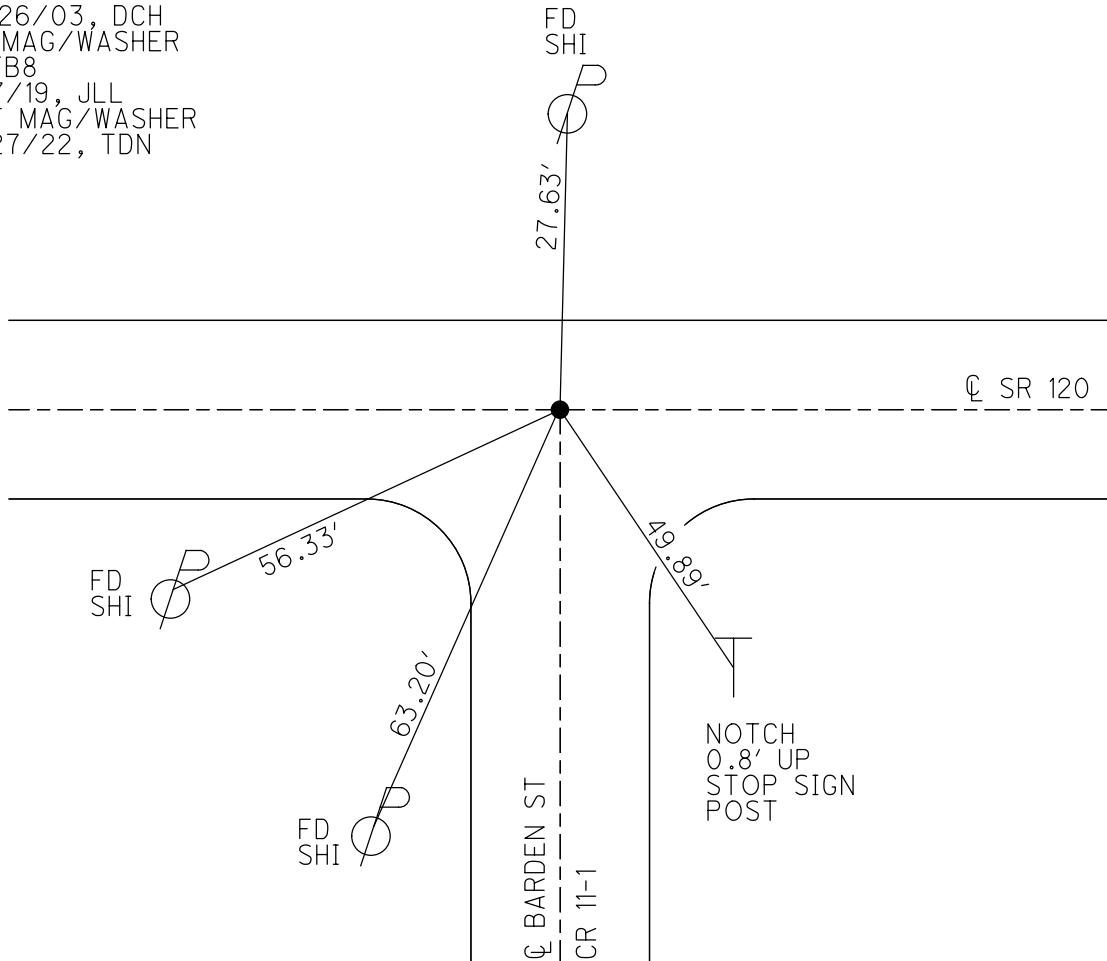
PERSONNEL _____ REFERENCE NO. 8 B SHEET 18 OF 50
 NOTES RHOADES DATE 4/28/22 ROUTE SR 120
 H.C. O'DONNELL WEATHER SUNNY COUNTY FULTON
 R.C. RHOADES TEMP. 40° TOWNSHIP ROYALTON
 DWG BY RHOADES PID 99582 SECTION 8
 T 9 N R 3 E

TYPE MONUMENT MAG/WASHER
 ON SURFACE - ~~BELOW~~ ON
 OFFSET \varnothing PAVEMENT ON LT : RT
- TO - EDGE PAVEMENT
 STATION: 271+85



HORZ. DATUM: NAD83 2011 GEOID: NAVD88 2018
 GRID: NORTHING: 744439.374 EASTING: 1537363.760

RECORD:
 FD SM.R.R.SPIKE
 8/15/03, DCH
 SET MAG/WASHER
 12/26/03, DCH
 FD MAG/WASHER
 REFB8
 5/7/19, JLL
 SET MAG/WASHER
 7/27/22, TDN



O.D.O.T. DISTRICT 2 SURVEY OFFICE

PERSONNEL

REFERENCE NO. 8 B

SHEET 17 OF 45

NOTES HOMAN

DATE 8/15/03

ROUTE SR 120

H.C. HOMAN

WEATHER CLOUDY

COUNTY FULTON

R.C. MEYERS

TEMP. 80°

TOWNSHIP ROYALTON

SECTION 8

T 9 N R 3 E

TYPE MONUMENT SM.R.R.SPIKE

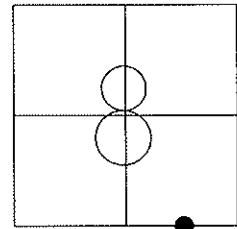
ON SURFACE - ~~BELOW~~ ON

LEFT - ☉ PAV'T - RIGHT ON

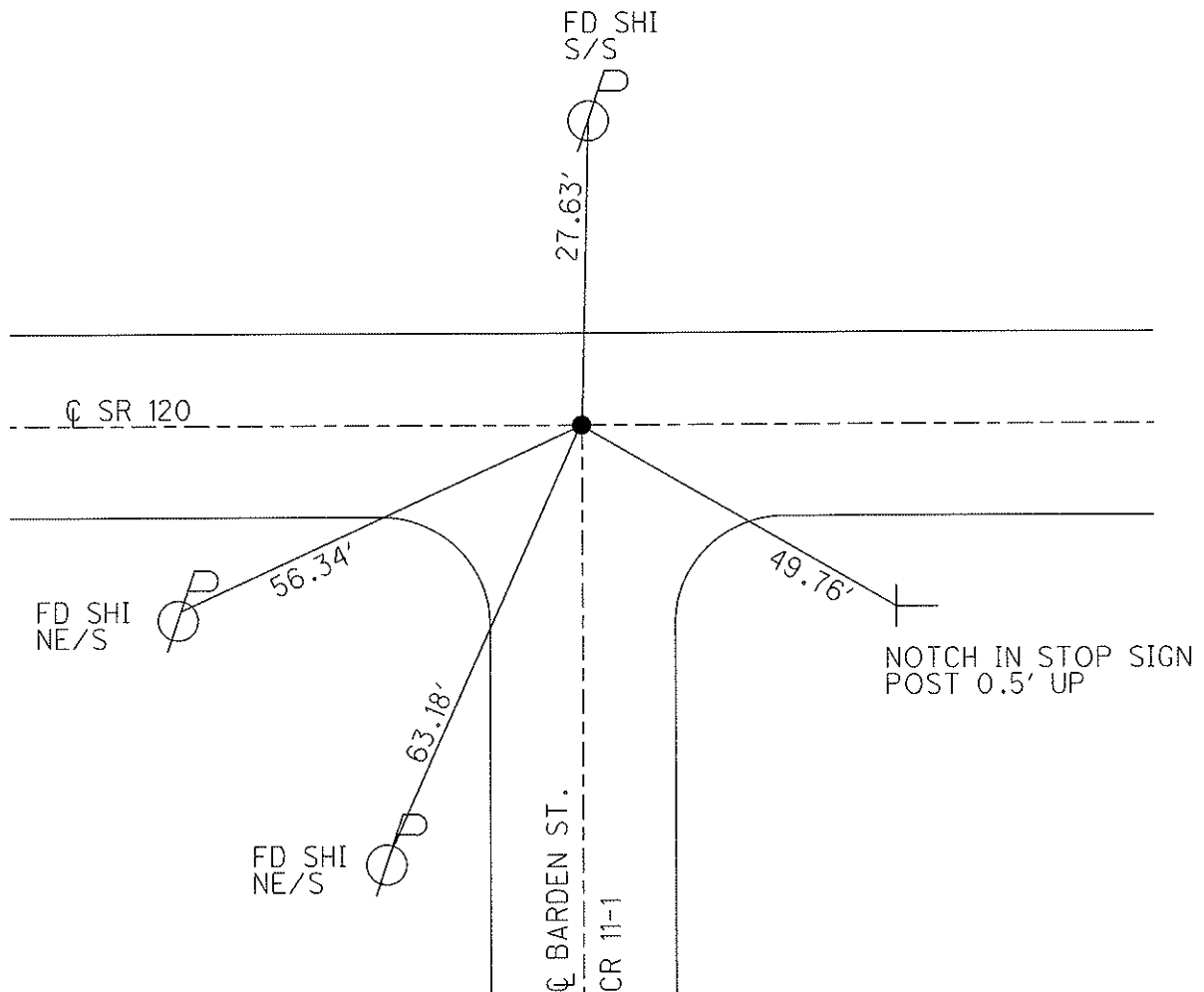
TO EDGE PAVEMENT

S.L.M. 271+85

Grid: Northing: _____ Easting: _____



SET MAG/WASHER
12/26/03, DCH



O.D.O.T. DISTRICT 2 SURVEY OFFICE

PERSONNEL _____

REFERENCE NO. 8B

SHEET 2 OF 9

NOTES HOMAN

DATE 8-15-03

ROUTE S.R. 120

H.C. HOMAN

WEATHER CLOUDY

COUNTY FULTON

R.C. MEYERS

TEMP. 80°

TOWNSHIP ROYALTON

SECTION 8

T9S R3E

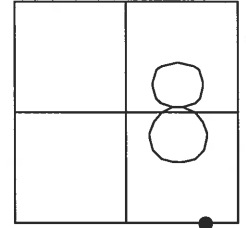
TYPE MONUMENT SM. R.R. SPIKE

ON SURFACE - ~~BELOW~~ ON

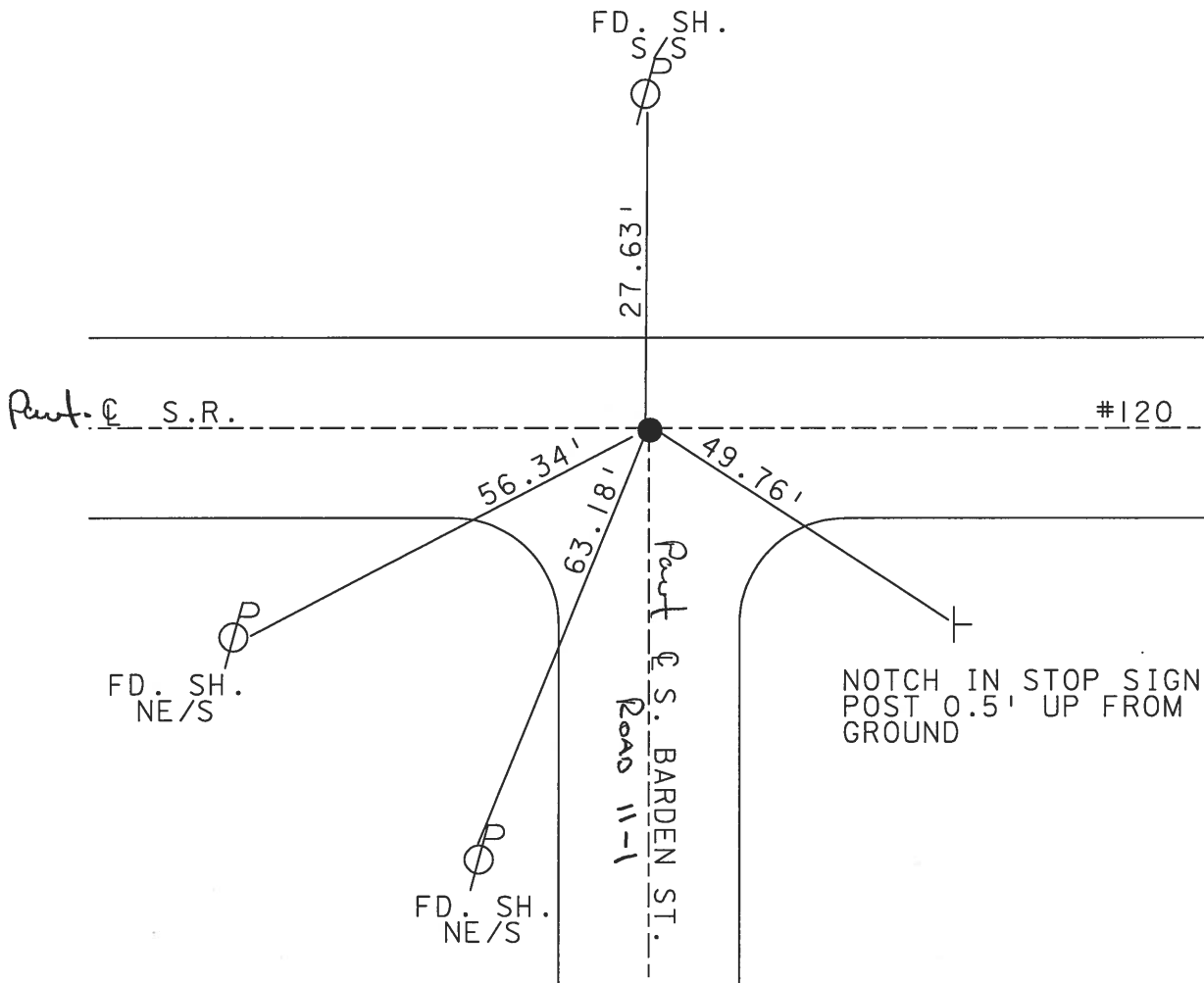
~~LEFT~~ - Q PAV'T - ~~RIGHT~~ ON

TO EDGE PAVEMENT

S.L.M. 271+85



SET MAG & WASHER
12-26-03
DCH



O.D.O.T. DISTRICT 2 SURVEY OFFICE

PERSONNEL _____

REFERENCE NO. 8B

SHEET 12 OF _____

NOTES 1. Stone

H.C. D. Curtis

R.C. J. Haushalter

DATE 17 June 90

WEATHER Warm

TEMP. 74°

ROUTE SR#120

COUNTY Fulton

TOWNSHIP Royalton

SECTION 8

T _____ R _____

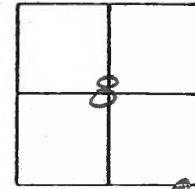
TYPE MONUMENT 1/2" 1. Pipe

ON SURFACE - BELOW 2" deep

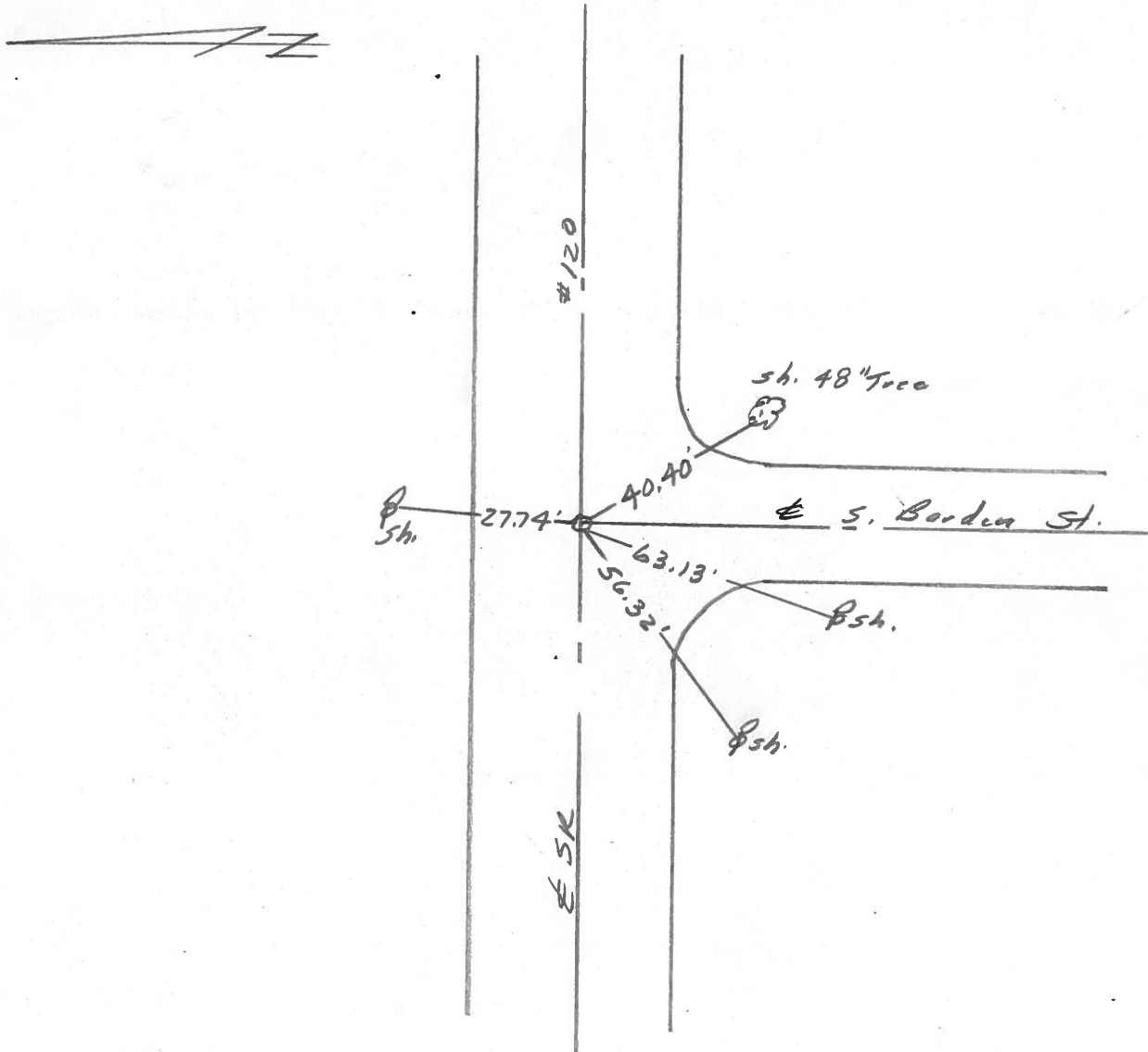
LEFT - & PAV'T. - RIGHT _____

_____ TO _____ EDGE PAVEMENT

S.L.M. 271+85



Set Small RR Spt. 8-8-90 1RS



County Fulton S.R. 120

Township Royalton

Section 8-17

T_N, R_E

Personnel D. Curtis

P. Neuser

R. Michalak

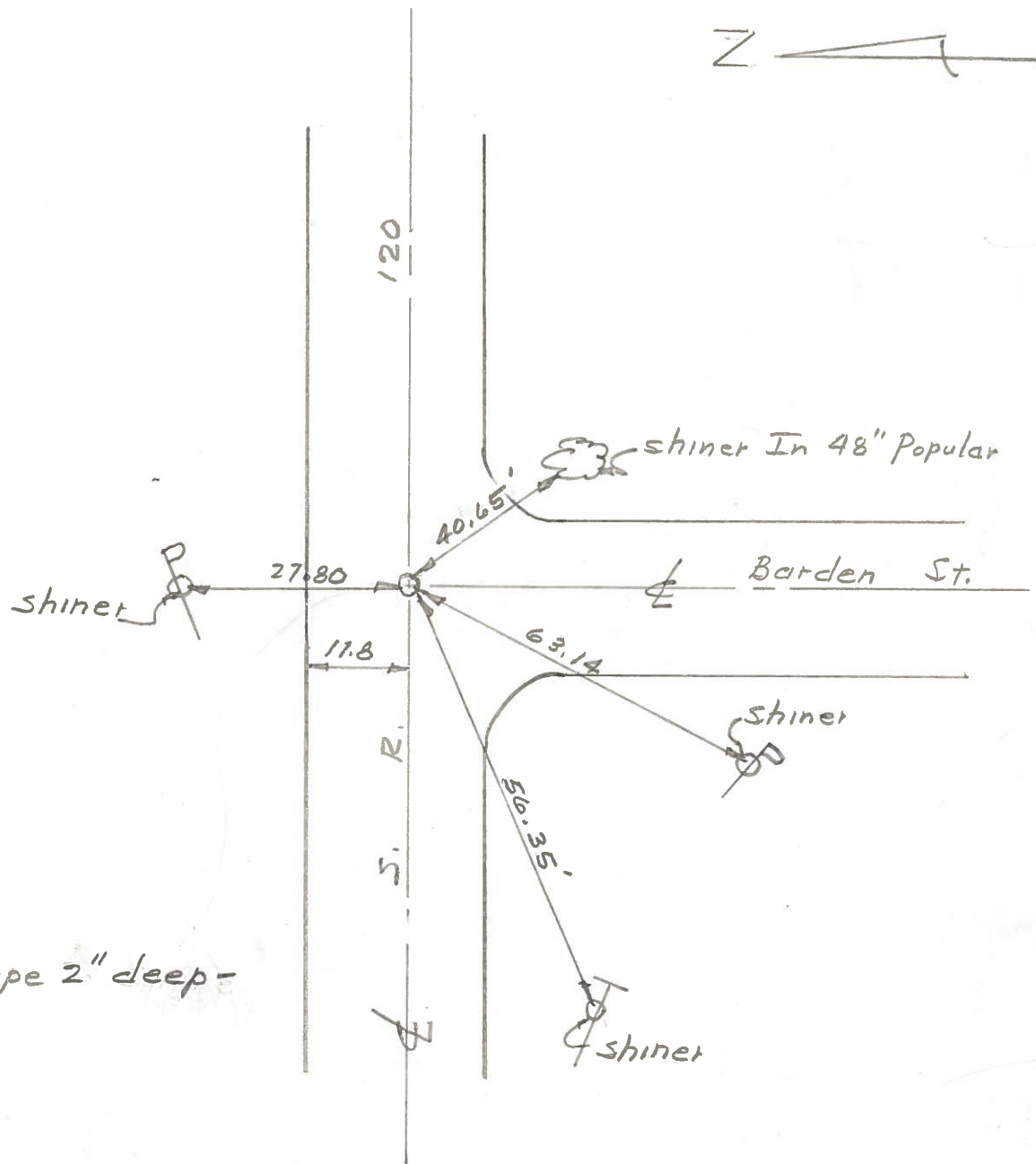
Date 18 Sept. 84

Weather Mild

Temp. 70°

#818

9	8
16	17

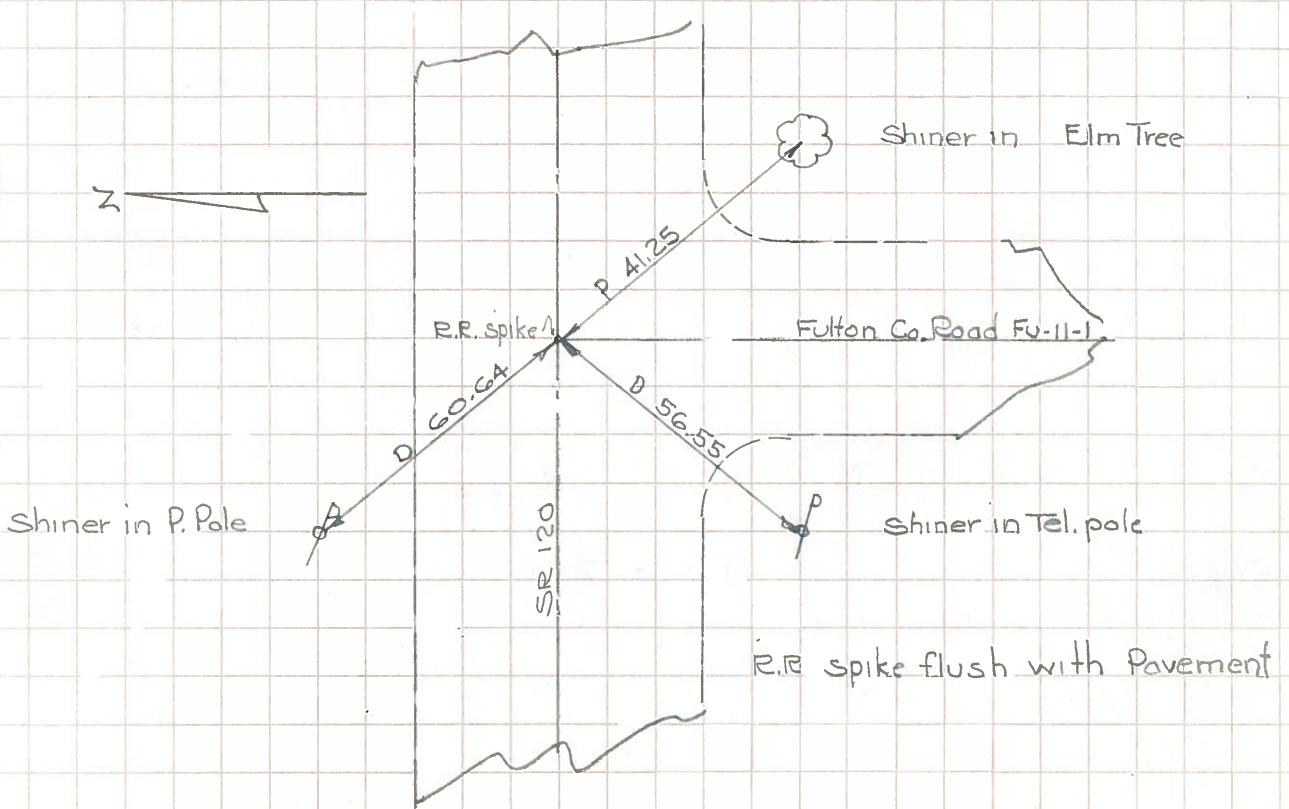


Fd. 1/2" I. Pipe 2" deep -
9-18-84

COMPUTATION SHEET

STATE OF OHIO - DEPARTMENT OF HIGHWAYS - BUREAU OF LOCATION AND DESIGN _____ COLUMBUS, OHIO
 BY Denno - Curtis - Granata - Oney DATE June 6, 1966 NO. _____ OF _____ SHEETS
 COUNTY Fulton SECTION _____
 DIV. NO. _____ S.R. 120 U.S.R. _____ I. R. _____
 SUBJECT OF THIS SHEET Monument Ref S.R. 120

8B



9

