

O.D.O.T. DISTRICT 2 SURVEY OFFICE (USE ONLY)

PERSONNEL

REFERENCE NO. 6 D

SHEET 15 OF 63

NOTES NIESE

DATE 2/26/21

ROUTE US 20A

H.C. RHOADES

WEATHER CLOUDY

COUNTY FULTON

R.C. _____

TEMP. 31°

TOWNSHIP GERMAN

SECTION 7

DWG BY NIESE PID PAVETRAIN

T 7 N R 5 E

TYPE MONUMENT SM.R.R.SPIKE

~~ON SURFACE~~ - BELOW 5"

OFFSET Q PAVEMENT ON LT : RT

10.1' TO LT EDGE PAVEMENT

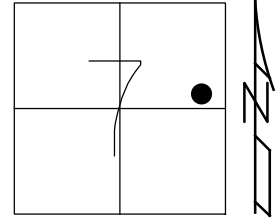
STATION: 149+28.94

HORZ.DATUM: NAD83 2011

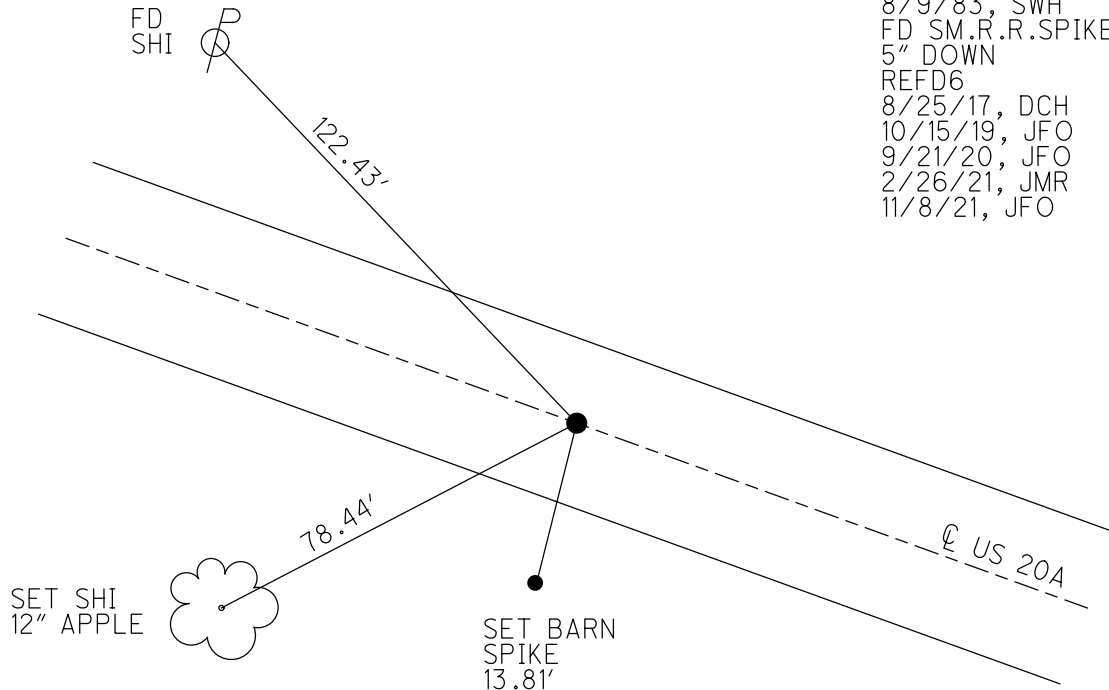
GEOID: NAVD88 2012A

GRID: NORTHING: 702148.026

EASTING: 1468207.178



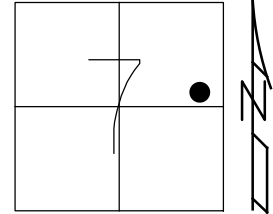
RECORD:
 ORIGIN UNKNOWN
 FD R.R.SPIKE
 7/6/83, CL
 SET P.K./WASHER
 8/9/83, SWH
 FD SM.R.R.SPIKE
 5" DOWN
 REFD6
 8/25/17, DCH
 10/15/19, JFO
 9/21/20, JFO
 2/26/21, JMR
 11/8/21, JFO



O.D.O.T. DISTRICT 2 SURVEY OFFICE (USE ONLY)

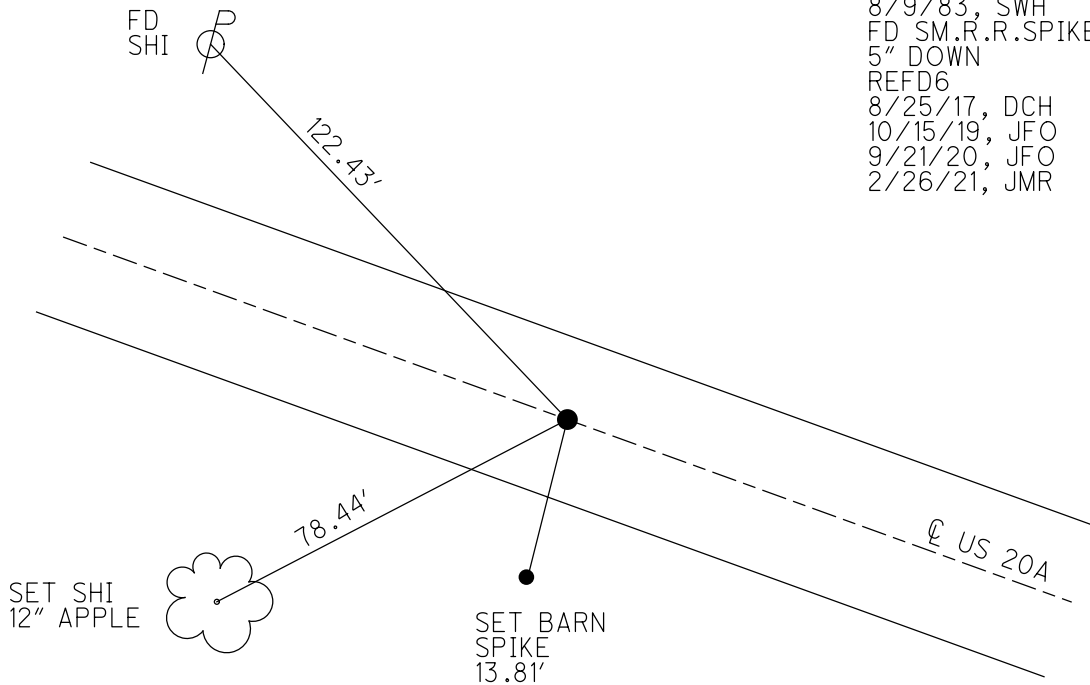
PERSONNEL _____ REFERENCE NO. 6 D SHEET 15 OF 63
 NOTES NIESE DATE 2/26/21 ROUTE US 20A
 H.C. RHOADES WEATHER CLOUDY COUNTY FULTON
 R.C. _____ TEMP. 31° TOWNSHIP GERMAN
 _____ SECTION 7
 DWG BY NIESE PID PAVETRAIN T 7 N R 5 E

TYPE MONUMENT SM.R.R.SPIKE
~~ON SURFACE~~ - BELOW 5"
 OFFSET CL PAVEMENT ON LT : RT
10.1' TO LT EDGE PAVEMENT
 STATION: 149+28.94



HORZ.DATUM: NAD83 2011 GEOID: NAVD88 2012A
 GRID: NORTHING: 702148.013 EASTING: 1468207.156

RECORD:
 ORIGIN UNKNOWN
 FD R.R.SPIKE
 7/6/83, CL
 SET P.K./WASHER
 8/9/83, SWH
 FD SM.R.R.SPIKE
 5" DOWN
 REFD6
 8/25/17, DCH
 10/15/19, JFO
 9/21/20, JFO
 2/26/21, JMR



O.D.O.T. DISTRICT 2 SURVEY OFFICE (USE ONLY)

PERSONNEL

REFERENCE NO. 6 D

SHEET 15 OF 63

NOTES RHOADES DATE 9/24/20
 H.C. O'DONNELL WEATHER SUNNY
 R.C. AUBLE TEMP. 54°

ROUTE US 20A
 COUNTY FULTON
 TOWNSHIP GERMAN
 SECTION 7

DWG BY RHOADES PID PAVETRAIN

T 7 N R 5 E

TYPE MONUMENT SM.R.R.SPIKE

~~ON SURFACE~~ - BELOW 5"

OFFSET CL PAVEMENT ON LT : RT

10.1' TO LT EDGE PAVEMENT

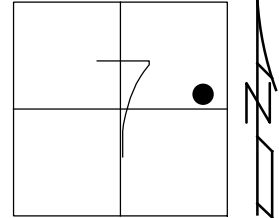
STATION: 149+28.94

HORIZ.DATUM: NAD83 2011

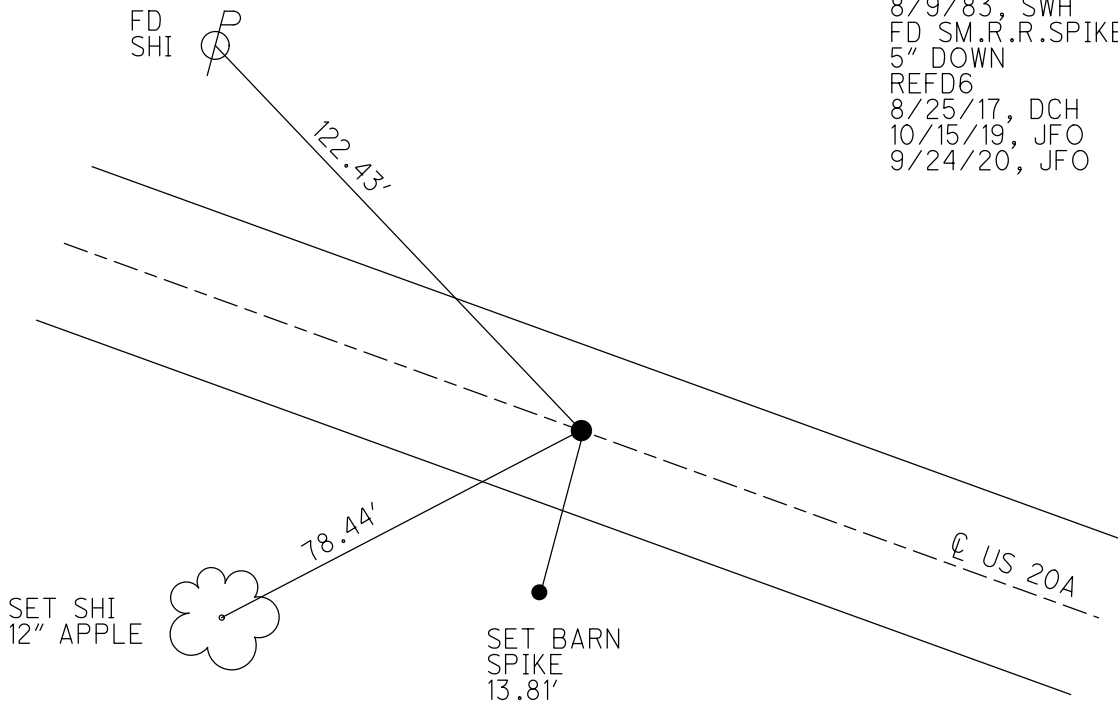
GEOID: NAVD88 2012A

GRID: NORTHING: 702148.013

EASTING: 1468207.156



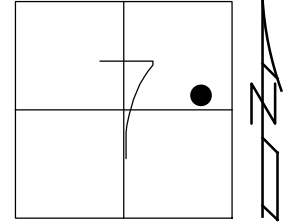
RECORD:
 ORIGIN UNKNOWN
 FD R.R.SPIKE
 7/6/83, CL
 SET P.K./WASHER
 8/9/83, SWH
 FD SM.R.R.SPIKE
 5" DOWN
 REFD6
 8/25/17, DCH
 10/15/19, JFO
 9/24/20, JFO



O.D.O.T. DISTRICT 2 SURVEY OFFICE (USE ONLY)

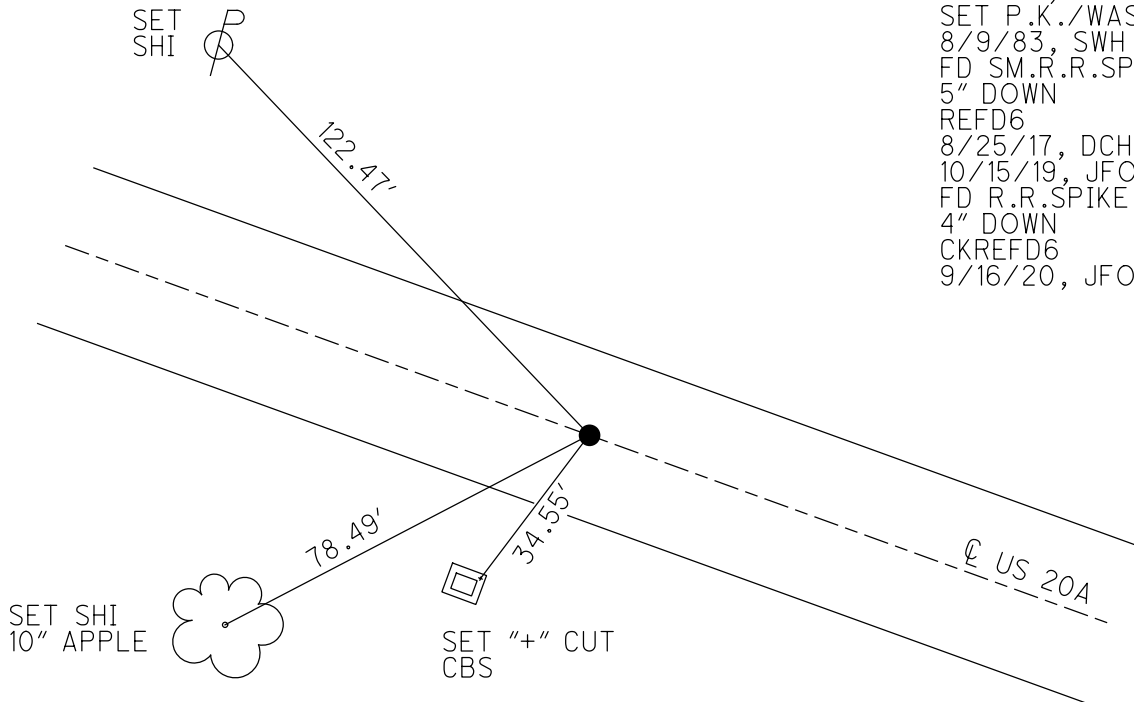
PERSONNEL _____ REFERENCE NO. 6 D SHEET 15 OF 63
 NOTES LEU DATE 8/25/17 ROUTE US 20A
 H.C. LEU WEATHER CLEAR COUNTY FULTON
 R.C. HOMAN TEMP. 65° TOWNSHIP GERMAN
 DWG BY NASON PID 101232 SECTION 7
 T 7 N R 5 E

TYPE MONUMENT SM R.R.SPIKE
~~ON SURFACE~~ - BELOW ON
 OFFSET CL PAVEMENT ON LT : RT
10.1 TO LT EDGE PAVEMENT
 STATION: 149+28.94



HORZ.DATUM: NAD83(2011) GEOID: 2012A
 GRID: NORTHING: 702148.022 EASTING: 1468207.124

RECORD:
 ORIGIN UNKNOWN
 FD R.R.SPIKE
 7/6/83, CL
 SET P.K./WASHER
 8/9/83, SWH
 FD SM.R.R.SPIKE
 5" DOWN
 REFD6
 8/25/17, DCH
 10/15/19, JFO
 FD R.R.SPIKE
 4" DOWN
 CKREFD6
 9/16/20, JFO



O.D.O.T. DISTRICT 2 SURVEY OFFICE (USE ONLY)

PERSONNEL

REFERENCE NO. 6 D

SHEET 15 OF 62

NOTES LEU

DATE 8/25/17

ROUTE US 20A

H.C. LEU

WEATHER CLEAR

COUNTY FULTON

R.C. HOMAN

TEMP. 65°

TOWNSHIP GERMAN

SECTION 7

DWG BY NASON

PID 101232

T 7 N R 5 E

TYPE MONUMENT SM R.R.SPIKE

~~ON SURFACE~~ - BELOW ON

OFFSET C PAVEMENT ON LT : RT

10.1 TO LT EDGE PAVEMENT

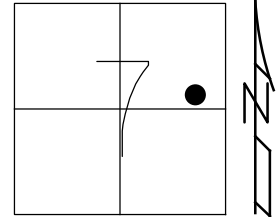
STATION: 149+28.94

HORZ.DATUM: NAD83(2011)

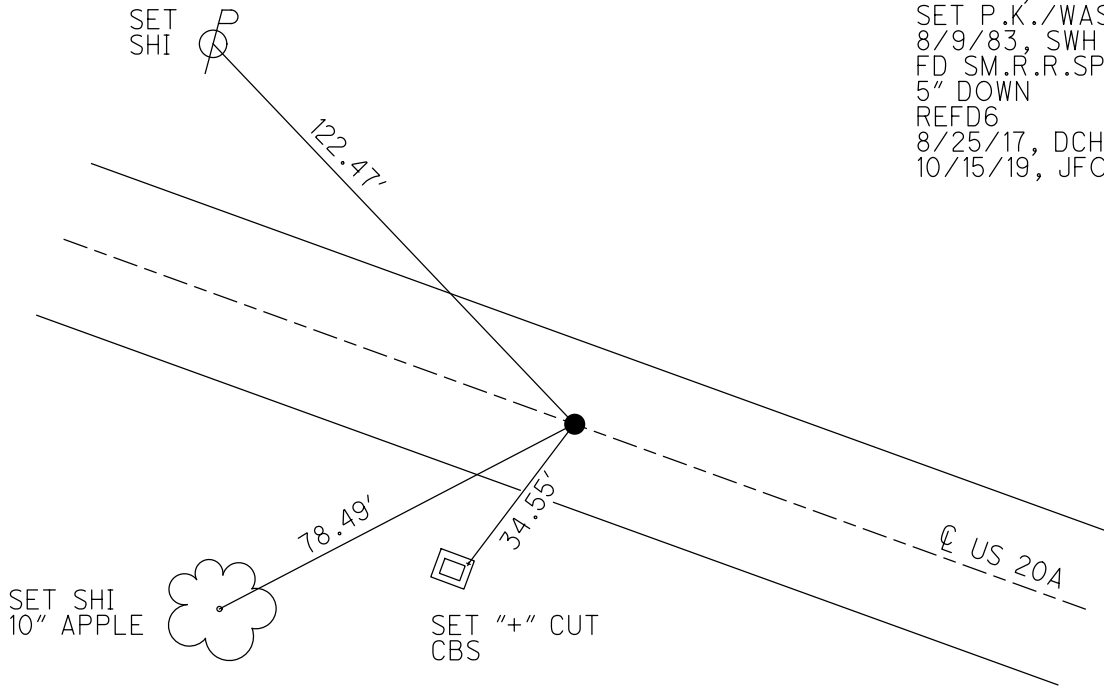
GEOID: 2012A

GRID: NORTHING: 702148.013

EASTING: 1468207.156



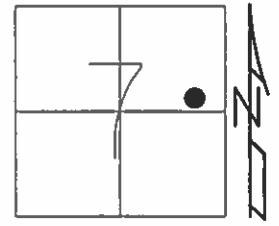
RECORD:
 ORIGIN UNKNOWN
 FD R.R.SPIKE
 7/6/83, CL
 SET P.K./WASHER
 8/9/83, SWH
 FD SM.R.R.SPIKE
 5" DOWN
 REFD6
 8/25/17, DCH
 10/15/19, JFO



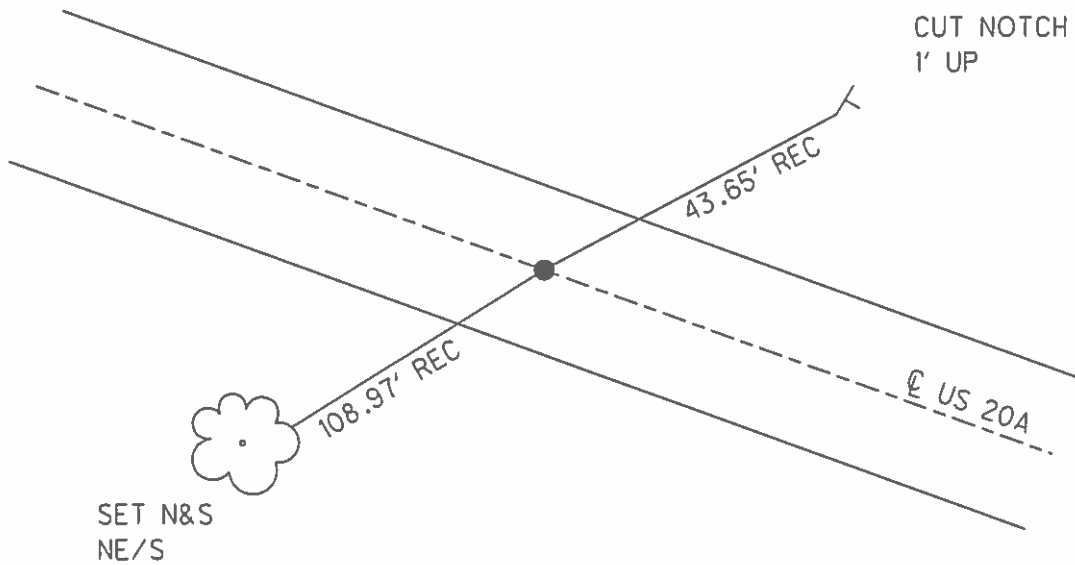
O.D.O.T. DISTRICT 2 SURVEY OFFICE (USE ONLY)

PERSONNEL _____ REFERENCE NO. 6 D SHEET 15 OF 61
 NOTES HOFFMAN DATE 7/6/83 ROUTE US 20A
 H.C. LOEHRKE WEATHER CLEAR COUNTY FULTON
 R.C. HOUSEHOLDER TEMP. 70° TOWNSHIP GERMAN
BARNHISEL SECTION 7
T 7 N R 5 E

TYPE MONUMENT R.R.SPIKE
~~ON SURFACE~~ - BELOW ON
 LEFT-Q PAV'T-RIGHT ON
- TO - EDGE PAVEMENT
 S.L.M. 149+20
 GRID: NORTHING: _____ EASTING: _____



RECORD:
 ORIGIN UNKNOWN
 SET P.K./WASHER
 8/9/83, SWH
 DNF, 7/12/04



O.D.O.T. DISTRICT 2 SURVEY OFFICE

PERSONNEL

REFERENCE NO. 6-D

SHEET 13 OF 15

NOTES HOFFMAN

DATE 7-6-83

ROUTE U.S. 20-A

H.C. LOEHRKE

WEATHER CLEAR

COUNTY FULTON

R.C. HOUSEHOLDER

TEMP. +70°

TOWNSHIP GERMAN

BARNHISEL

SECTION 7

T 7 N R 5 E

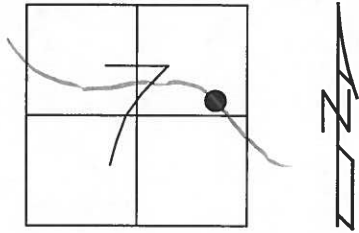
TYPE MONUMENT FD. R.R. SPK. @ SURFACE

~~ON SURFACE~~ - BELOW ON

~~LEFT-☉ PAV'T-RIGHT~~ ON

TO EDGE PAVEMENT

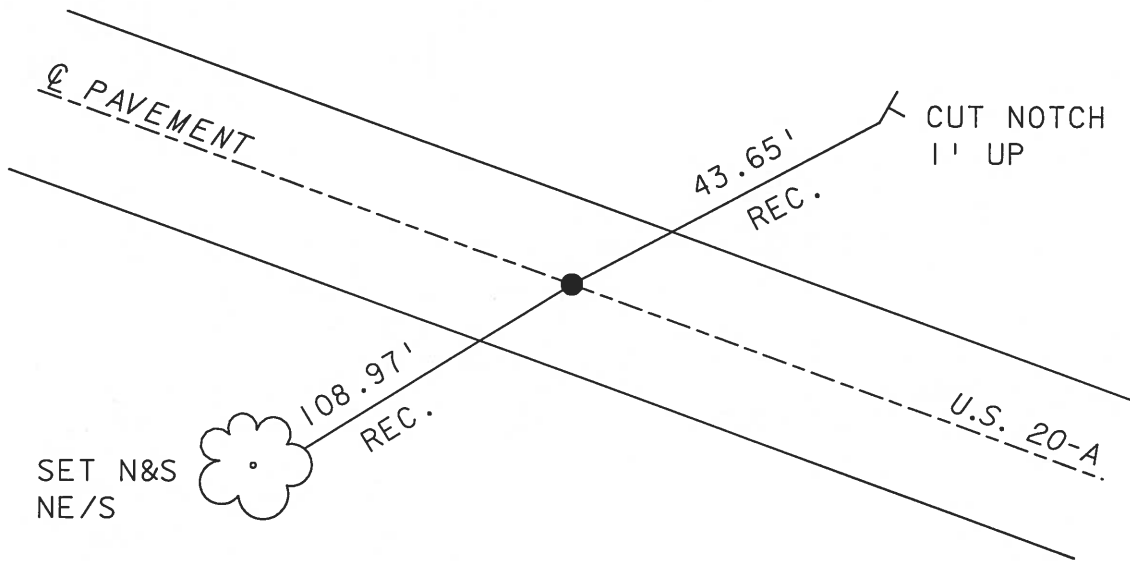
S.L.M. 149+20



(ORIGIN UNKNOWN)

DID NOT FIND
7-12-04

SET P.K./WASHER
8-9-83
S.W.H.



County Fulton S.R. US 20-A

Date July 6, 83

Township GERMAN

Weather CLEAR

Section 7

Temp. +70°

T1N, R5E

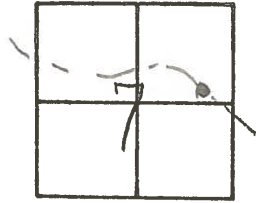
Personnel Hoffman

Loehrice

Householder

Barthel

6-D



Fd P.R. SPK @ SURFACE (ORIGINAL UNKNOWN)

SLM = 149+20

ON & PAUT

10.5 TO N.E.P.

10.1 TO S.E.P.

SET P.K./WASHER
8-9-83
S.W.H.

