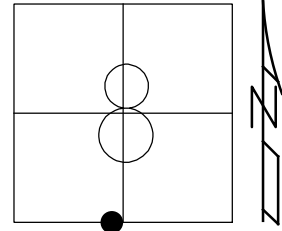


O.D.O.T. DISTRICT 2 SURVEY OFFICE (USE ONLY)

PERSONNEL \_\_\_\_\_ REFERENCE NO. 7 A SHEET 17 OF 63  
 NOTES LEU DATE 8/25/17 ROUTE US 20A  
 H.C. LEU WEATHER CLEAR COUNTY FULTON  
 R.C. HOMAN TEMP. 61° TOWNSHIP GERMAN  
 DWG BY NIESE PID 92126 SECTION 8  
 T 7 N R 5 E

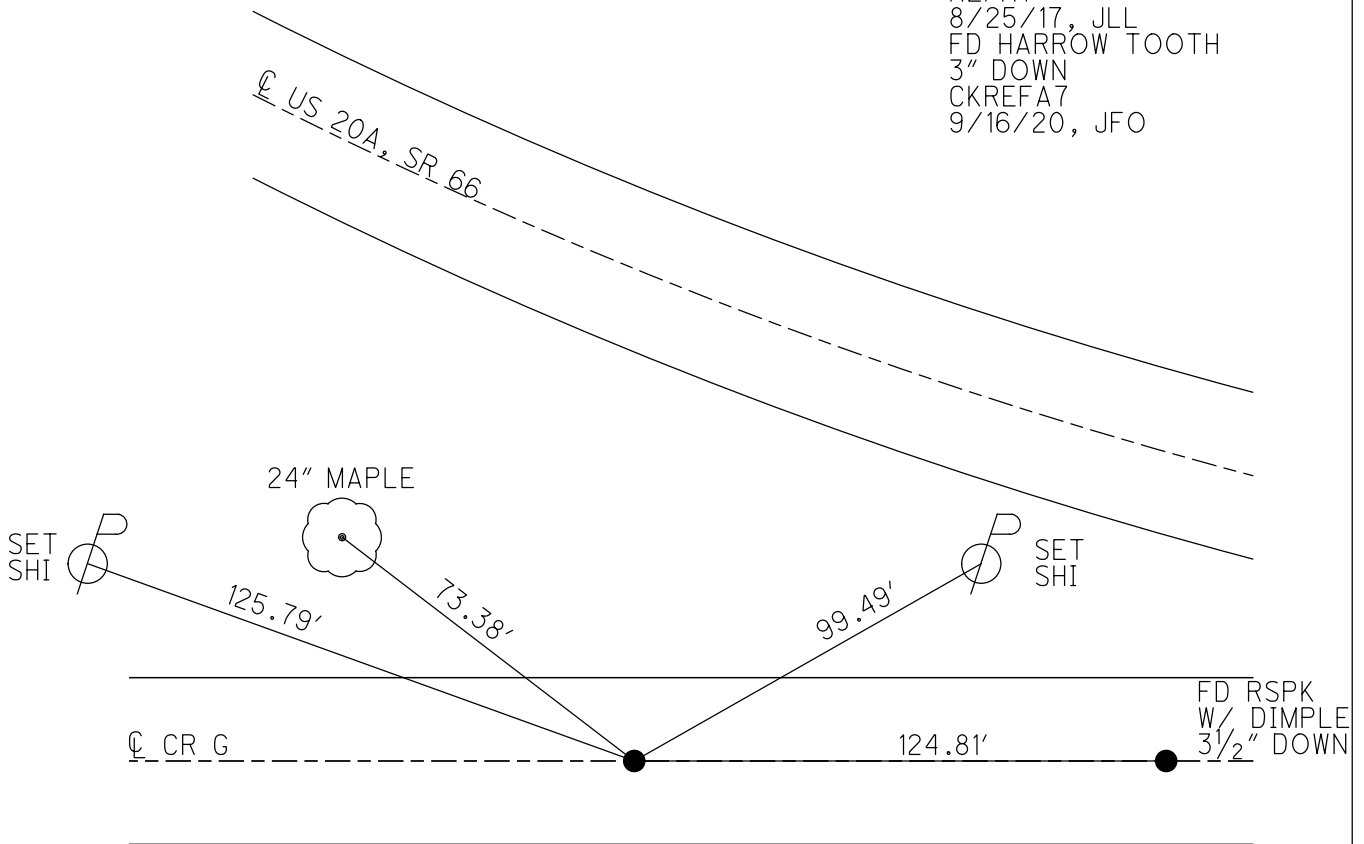
TYPE MONUMENT HARROW TOOTH  
~~ON SURFACE~~ - BELOW 3"  
 OFFSET  $\odot$  PAVEMENT \_\_\_\_\_ LT : RT  
 \_\_\_\_\_ TO \_\_\_\_\_ EDGE PAVEMENT  
 STATION: 190+90.04



HORZ.DATUM: NAD83(2011) GEOID: 2012A  
 GRID: NORTHING: 699456.284 EASTING: 1471380.385

NOTE: SR 66 REF 101A

RECORD: P.I.  
 STA 191+05.27  
 $\Delta=39^{\circ}16'LT$   
 1984  
 FD HARROW TOOTH  
 3" DOWN  
 REFA7  
 8/25/17, JLL  
 FD HARROW TOOTH  
 3" DOWN  
 CKREFA7  
 9/16/20, JFO

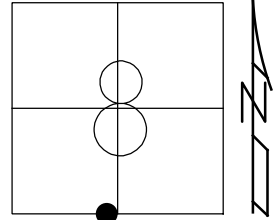


O.D.O.T. DISTRICT 2 SURVEY OFFICE (USE ONLY)

PERSONNEL \_\_\_\_\_ REFERENCE NO. 7 A SHEET 17 OF 62  
 NOTES LEU DATE 8/25/17 ROUTE US 20A  
 H.C. LEU WEATHER CLEAR COUNTY FULTON  
 R.C. HOMAN TEMP. 61° TOWNSHIP GERMAN  
 DWG BY NIESE PID 92126 SECTION 8  
 T 7 N R 5 E

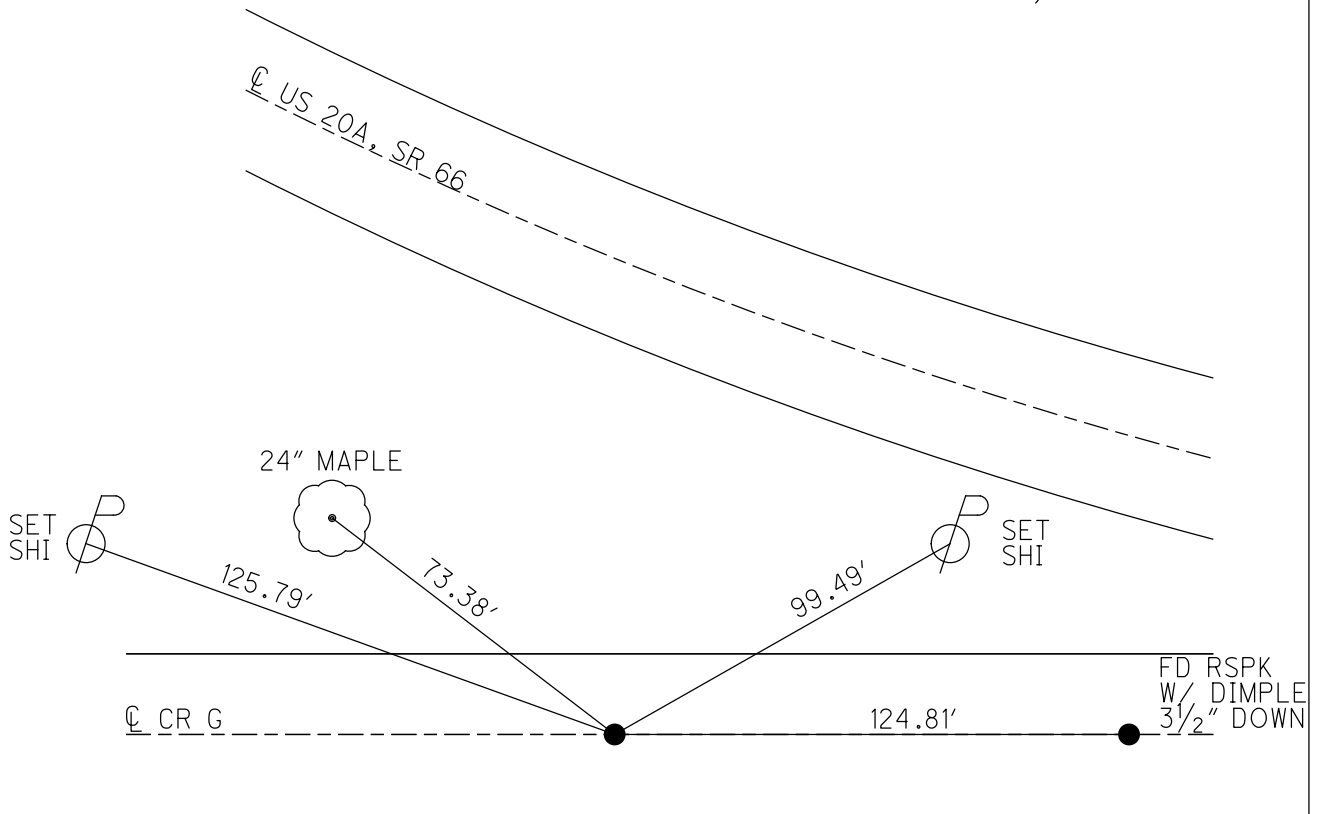
TYPE MONUMENT HARROW TOOTH  
~~ON SURFACE~~ - BELOW 3"  
 OFFSET  $\odot$  PAVEMENT - LT : RT  
- TO - EDGE PAVEMENT  
 STATION: 190+90.04

HORZ. DATUM: NAD83(2011) GEOID: 2012A  
 GRID: NORTHING: 699456.315 EASTING: 1471380.407



NOTE:  
 SR 66 REF 101A

RECORD: P.I.  
 STA 191+05.27  
 $\Delta=39^{\circ}16'LT$   
 1984  
 STA 342+36  
 $\Delta=39^{\circ}16'48.5'' LT (M)$   
 SHOT REFA7  
 8/25/17, JLL



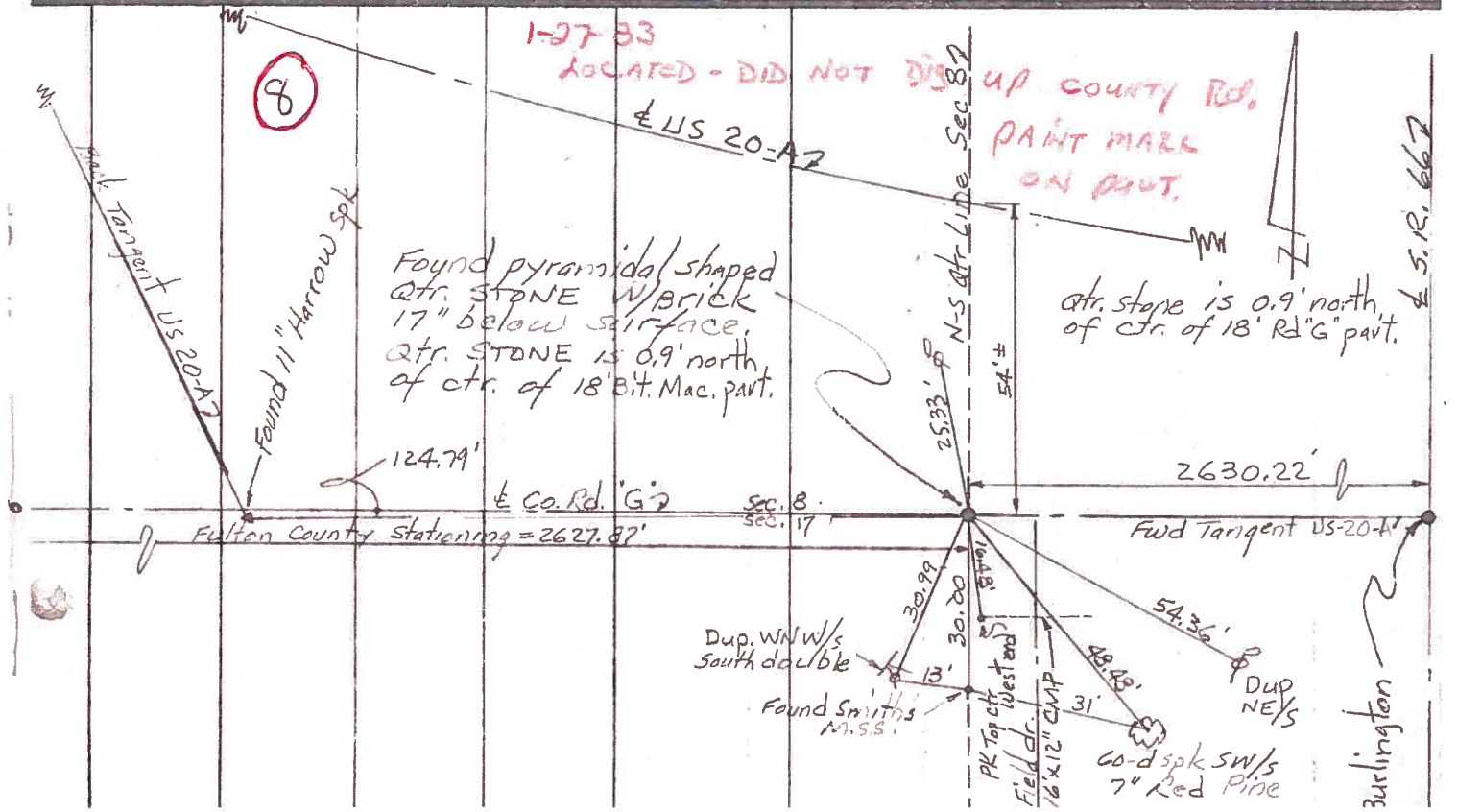
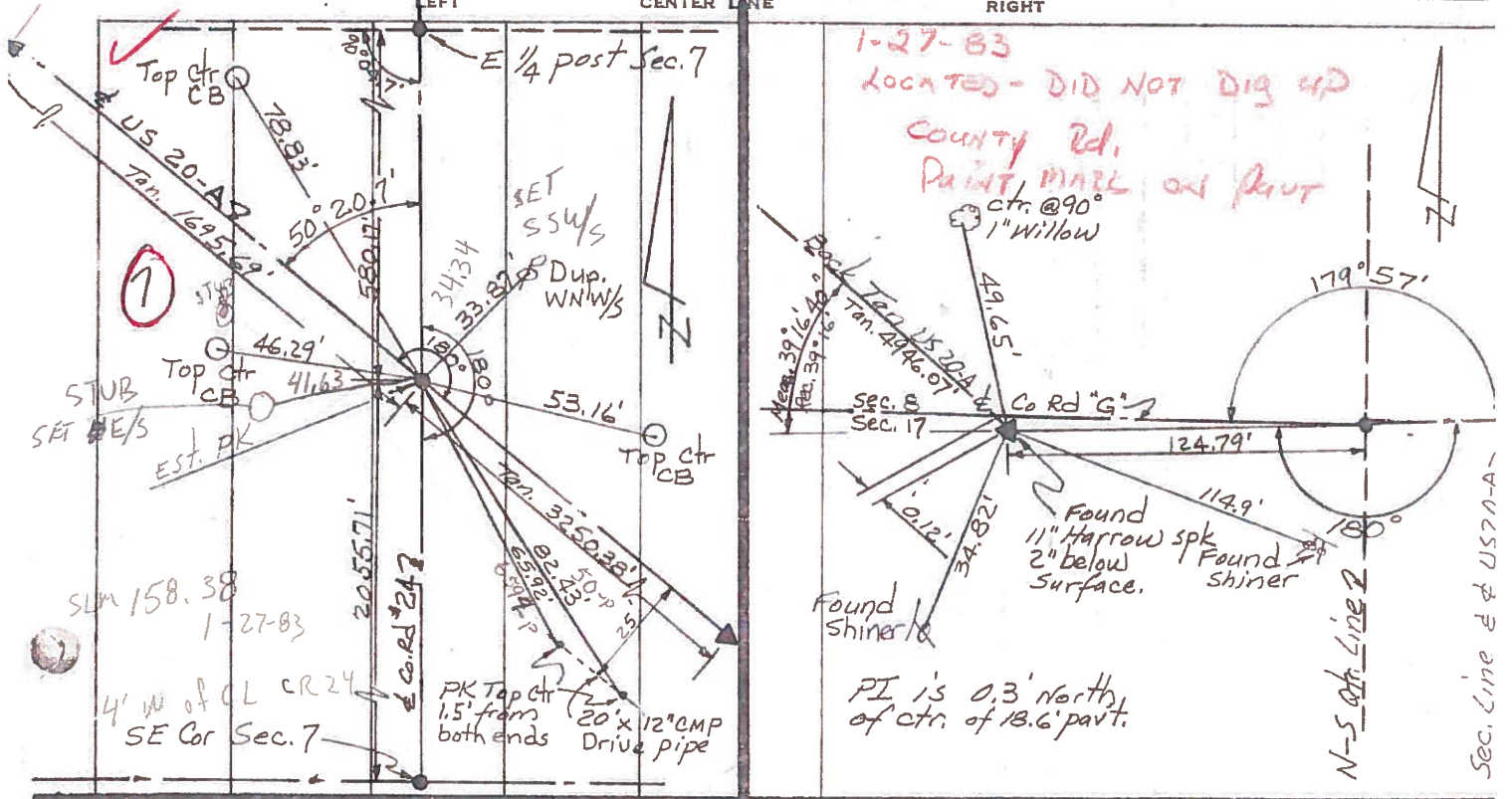
PERSONNEL TITLE PERSONNEL TITLE  
 Red Beach \_\_\_\_\_  
 Newcomb \_\_\_\_\_  
 Knappe \_\_\_\_\_

COUNTY Fulton DATE Sept 73

S. R. US 20-A WEATHER \_\_\_\_\_

SEC. German Twp TEMP. \_\_\_\_\_

DESCRIPTION CONTROL POINTS JOB NO. \_\_\_\_\_



PERSONNEL TITLE PERSONNEL TITLE

COUNTY Fulton DATE OK-1-24-58

S. R. # 20-114 WEATHER

SEC. TEMP.

DESCRIPTION LEFT CENTER LINE RIGHT JOB NO.

