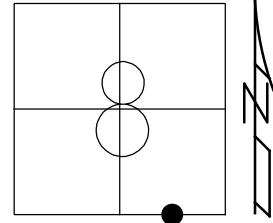


O.D.O.T. DISTRICT 2 SURVEY OFFICE (USE ONLY)

PERSONNEL _____ REFERENCE NO. 8 SHEET 18 OF 62
 NOTES O'DONNELL DATE 7/10/19 ROUTE US 20A
 H.C. LEU WEATHER FAIR COUNTY FULTON
 R.C. AUBLE TEMP. 76° TOWNSHIP GERMAN
 MILLER SECTION 8
 DWG BY NIESE PID 92126 T 7 N R 5 E

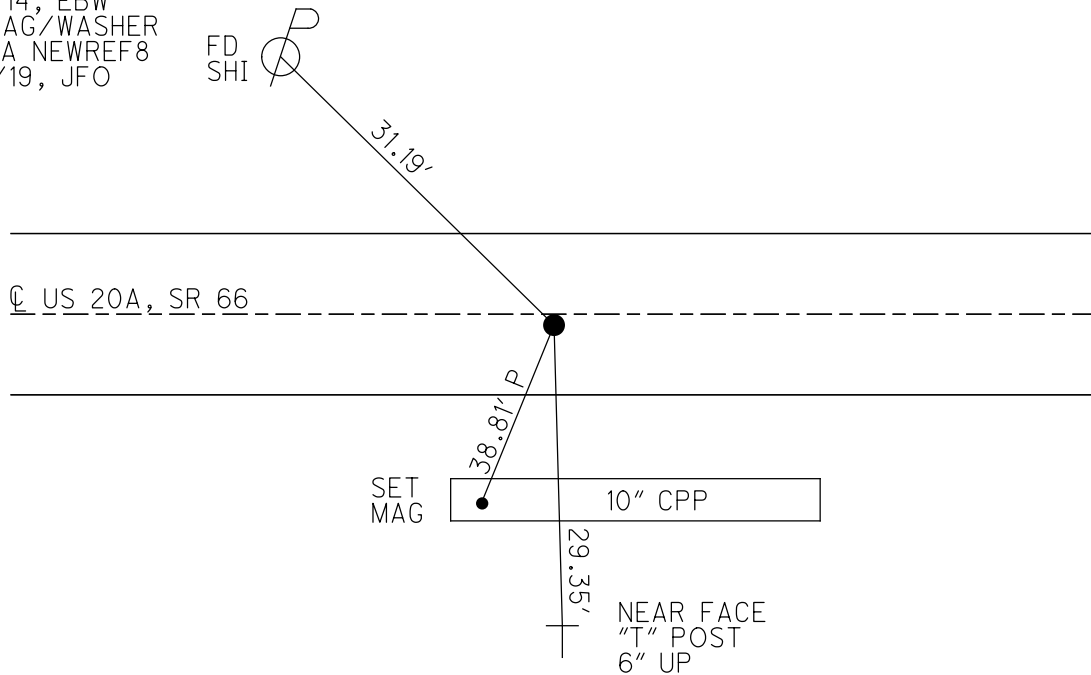
TYPE MONUMENT MAG/WASHER
 ON SURFACE - ~~BELOW~~ ON
 OFFSET CL PAVEMENT 0.5' ~~LT~~ : RT
9.6' TO RT EDGE PAVEMENT
 STATION: 204+88

HORZ.DATUM: NAD83(2011) GEOID: 2012A
 GRID: NORTHING: 669430.560 EASTING: 1472818.498



RECORD:
 FD PK/WASHER
 7/12/04, MB
 SET MAG/WASHER
 8/24/04, MB
 FD MAG/WASHER
 9/24/14
 US 20A REF8
 9/29/14, EBW
 SET MAG/WASHER
 US 20A NEWREF8
 10/15/19, JFO

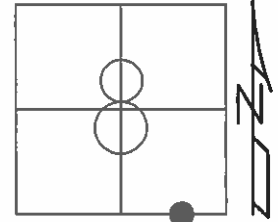
NOTE:
 SR 66 REF 101



O.D.O.T. DISTRICT 2 SURVEY OFFICE (USE ONLY)

PERSONNEL _____ REFERENCE NO. 8 SHEET 17 OF 61
 NOTES HUSS DATE 7/12/04 ROUTE US 20A
 H.C. BARNHISEL WEATHER FAIR COUNTY FULTON
 R.C. ADKINS TEMP. 80° TOWNSHIP GERMAN
 SECTION 8
 T 7 N R 5 E

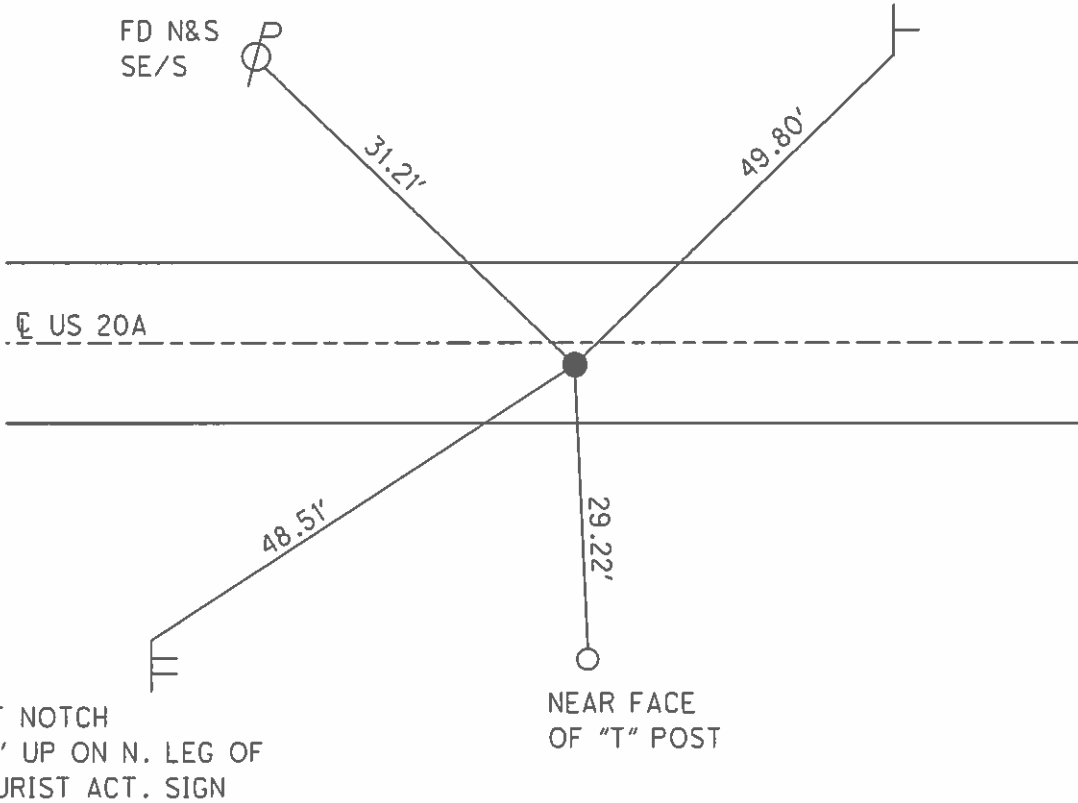
TYPE MONUMENT P.K./WASHER
 ON SURFACE - ~~BELOW~~ ON
~~LEFT-C~~ PAV'T-RIGHT 0.5'
9.6' TORT EDGE PAVEMENT
 S.L.M. 204+88



GRID: NORTHING: _____ EASTING: _____

SET MAG/WASHER
 8/24/04, MB

CUT NOTCH
 55 MPH SIGN POST
 2' UP S/S



O.D.O.T. DISTRICT 2 SURVEY OFFICE

PERSONNEL _____

REFERENCE NO. 8

SHEET 15 OF 15

NOTES HUSS

DATE 7-12-04

ROUTE U.S.-20A

H.C. BARNHISEL

WEATHER FAIR

COUNTY FULTON

R.C. ADKINS

TEMP. 80°

TOWNSHIP GERMAN

SECTION 8

T 7 N R 5 E

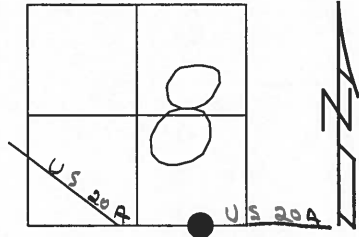
TYPE MONUMENT PK & WASHER

ON SURFACE ~~-BELOW~~ ON _____

~~LEFT - Q PAV'T - RIGHT~~ 0.5' RT

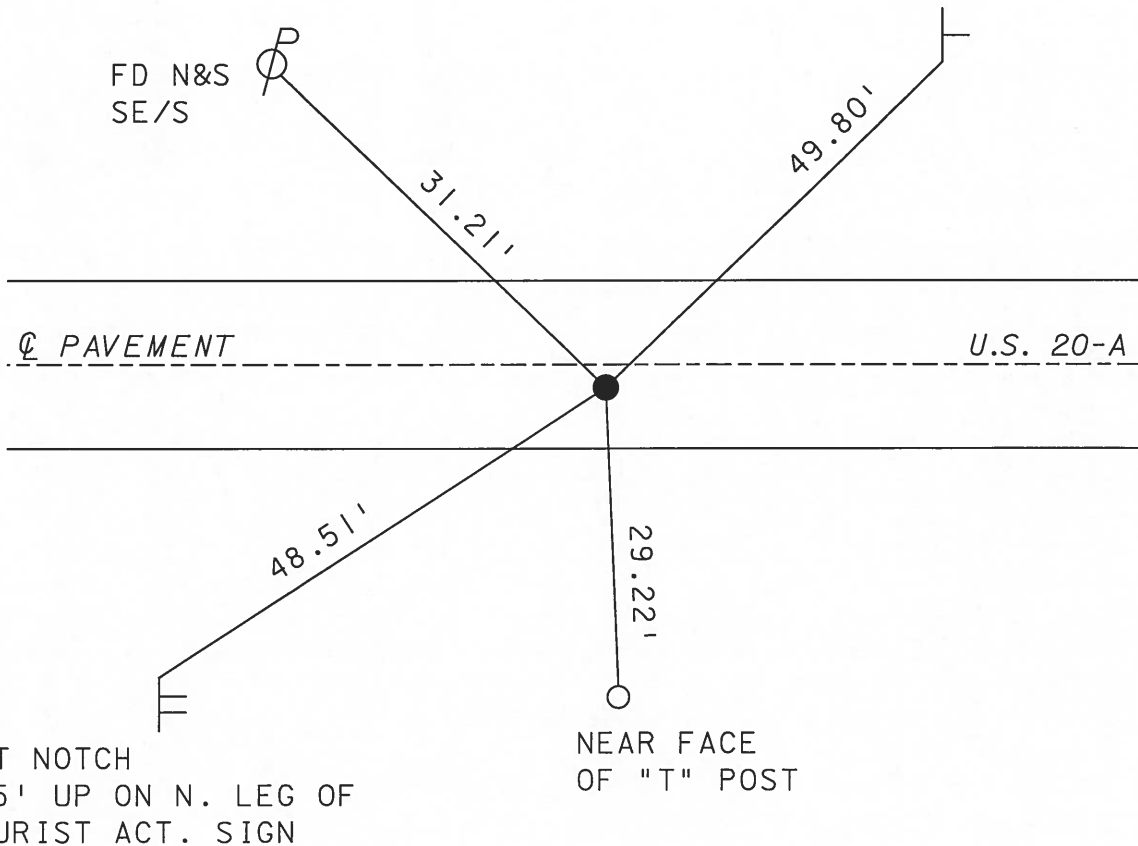
9.6' TORT EDGE PAVEMENT

S.L.M. _____ 204+88



SET MAG NAIL
& WASHER
8-24-04
MB

CUT NOTCH
55 MPH SIGN POST
2' UP S/S



O.D.O.T. DISTRICT 2 SURVEY OFFICE

PERSONNEL _____

REFERENCE NO. 8

SHEET _____ OF _____

NOTES LOEHRKE

H.C. CANTERBURY

R.C. VERMILLER

VOGEL

DATE 5-18-94

WEATHER Nice

TEMP. +62

ROUTE U.S. 20-A

COUNTY FULTON

TOWNSHIP GERMAN

SECTION 8

T 7 N R 5 E

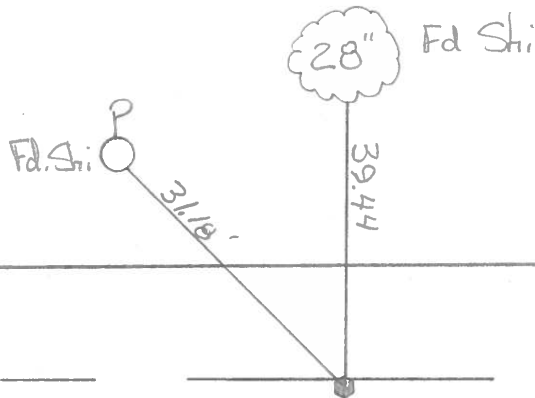
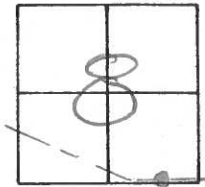
TYPE MONUMENT P.K. / WASHER ^{Reset} 7-29-94

ON SURFACE - ~~BELOW~~ YES

~~LEFT - C~~ PAV'T. - RIGHT 0.3' Rt

10.50 Rt EDGE PAVEMENT

S.L.M. 204+87



County FULTON S.R. US-20A

Date 1-27-83

Township GERMAN

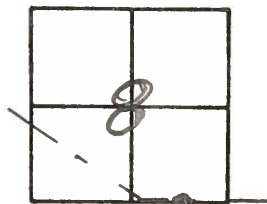
Weather OVERCAST

Section 8

Temp. +28°

T7N, R5E

Personnel HOFFMAN



#8

CREW

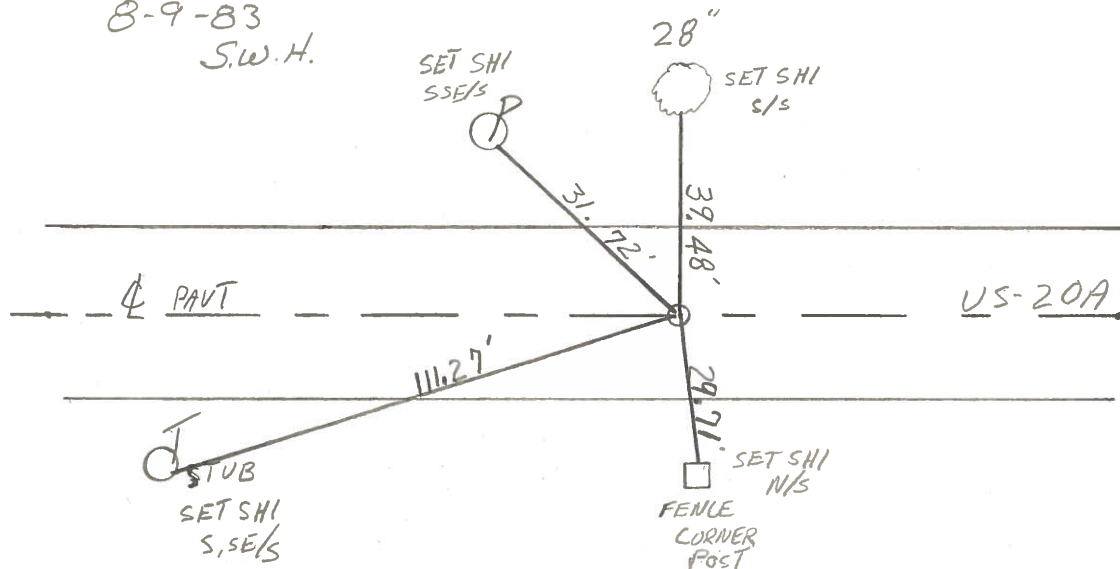
Fd: PK NAIL at SURFACE
ON ♀ PAVT US-20A
10.0' to NEP
9.7' to SEP

SLM 204+81

ORIGIN UNKNOWN

SET P.K./WASHER

8-9-83
S.W.H.

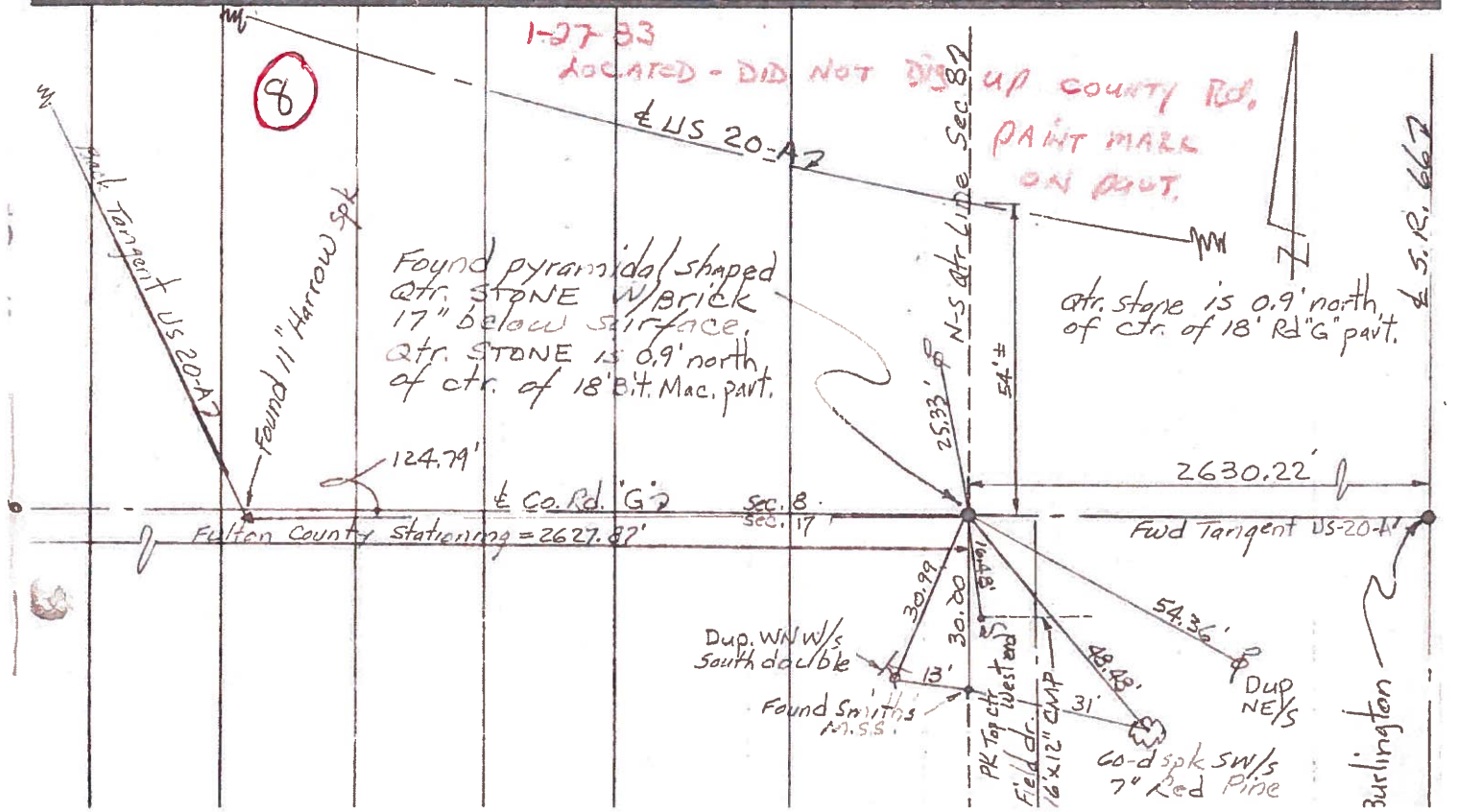
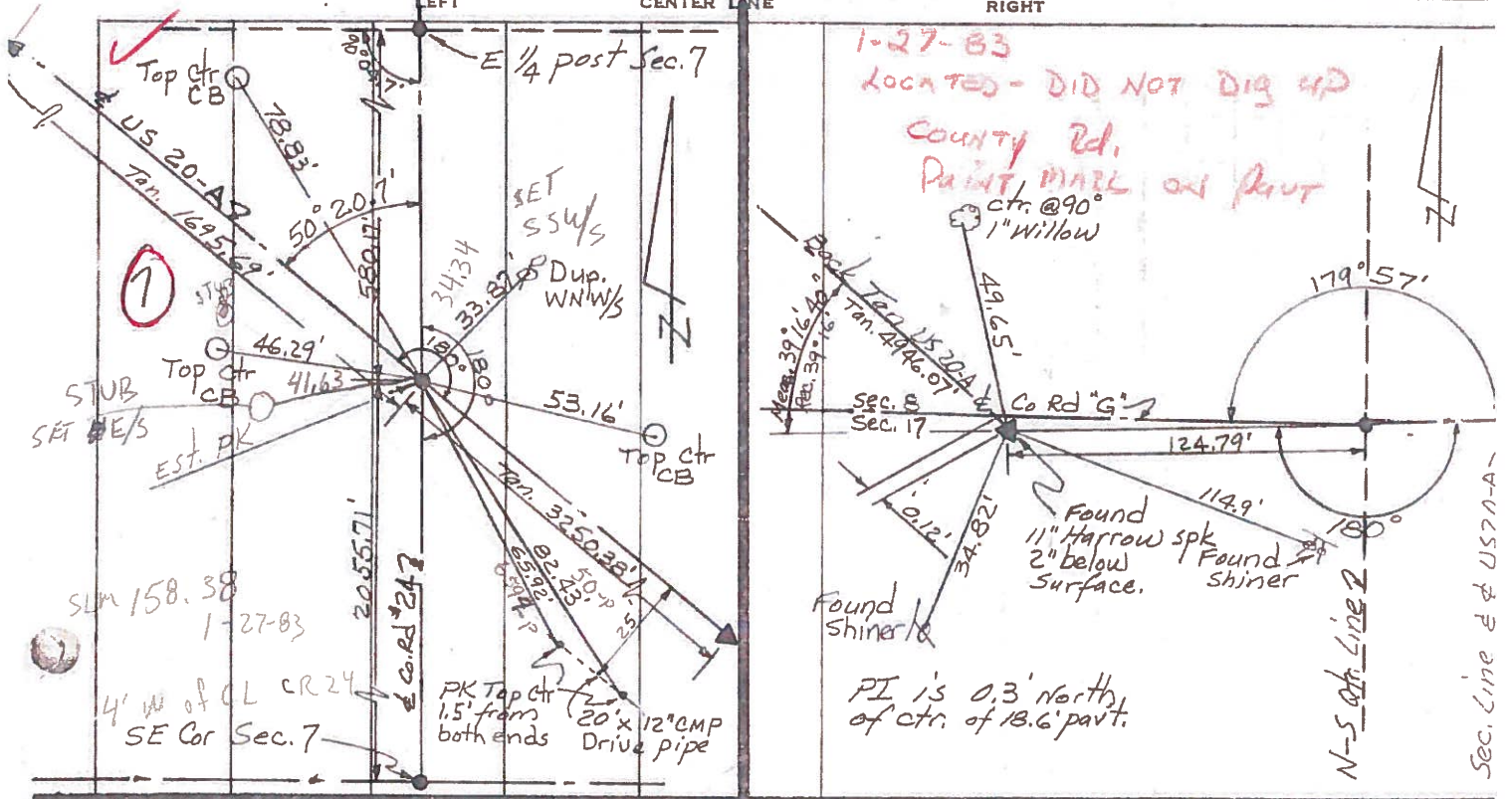


PERSONNEL TITLE PERSONNEL TITLE
 Red Beach _____
 Newcomb _____
 Knappe _____

COUNTY Fulton DATE Sept 73
 S. R. US 20-A WEATHER _____

SEC. German Twp TEMP. _____

DESCRIPTION CONTROL POINTS JOB NO. _____



PERSONNEL TITLE PERSONNEL TITLE

Tomsic			
Granata			
Vanyo			
Boyle			

COUNTY Fulton DATE AUG, 28, 1973

S. R. U.S. 20 A WEATHER _____

SEC. _____ TEMP. _____

DESCRIPTION _____ LEFT _____ CENTER LINE _____ RIGHT _____ JOB NO. _____

