

O.D.O.T. DISTRICT 2 SURVEY OFFICE (USE ONLY)

PERSONNEL

REFERENCE NO. 12

SHEET 25 OF 62

NOTES WESTFALL

DATE 6/6/02

ROUTE US 20A

H.C. HOMAN

WEATHER RAIN

COUNTY FULTON

R.C. LEU

TEMP. 65°

TOWNSHIP GERMAN

SECTION 10

DWG BY NASON

PID 101232

T 7 N R 5 E

TYPE MONUMENT P.K./WASHER

ON SURFACE - ~~BELOW~~ ON

OFFSET \odot PAVEMENT 0.4' ~~RT~~ : RT

10.0 TO RT EDGE PAVEMENT

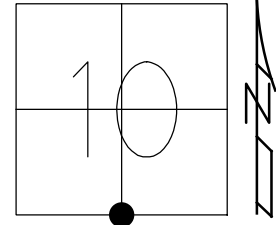
STATION: 297+07.18

HORZ. DATUM: NAD83(2011)

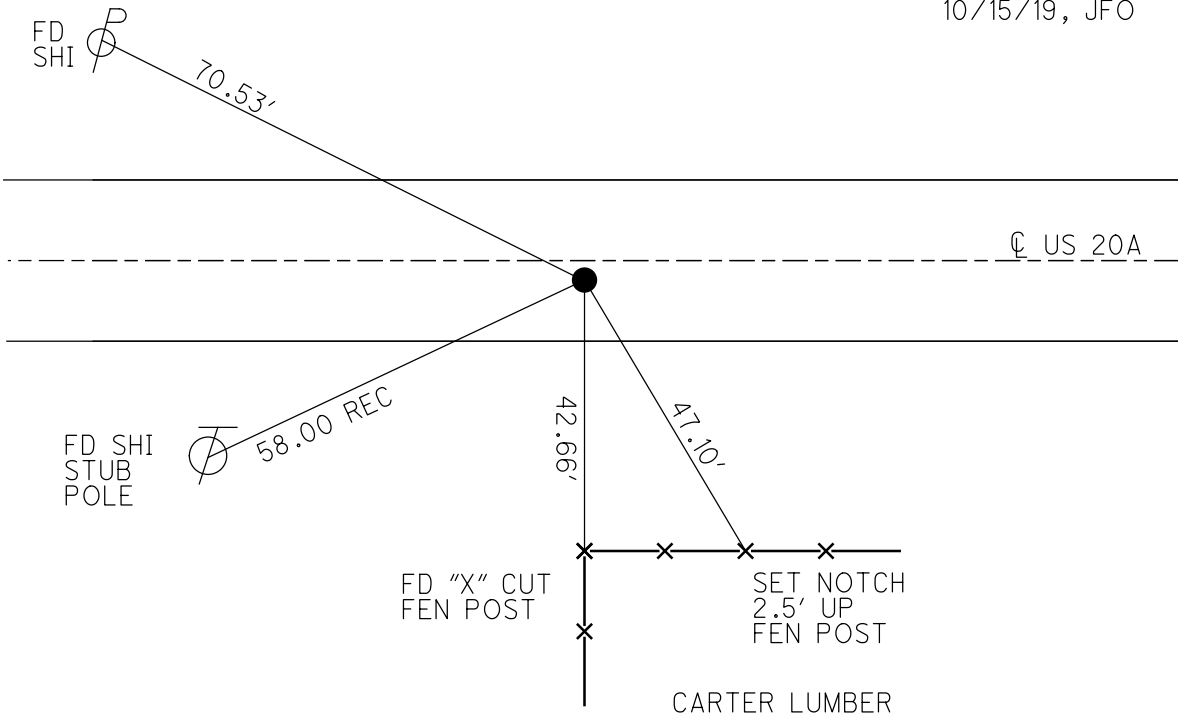
GEOID: 2012A

GRID: NORTHING: 699262.594

EASTING: 1482036.143



RECORD:
 STA 297+09.8
 FD P.K./WASHER
 6/6/02, TMR
 SET MAG/WASHER
 4/22/03, DCH
 FD MAG/WASHER
 REF12
 9/29/14, EBW
 7/10/19, JFO
 SET MAG/WASHER
 NEWREF12
 10/15/19, JFO

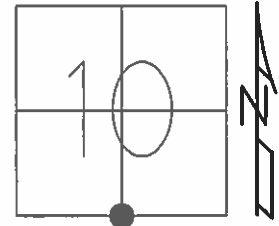


O.D.O.T. DISTRICT 2 SURVEY OFFICE (USE ONLY)

PERSONNEL _____ REFERENCE NO. 12 SHEET 24 OF 61

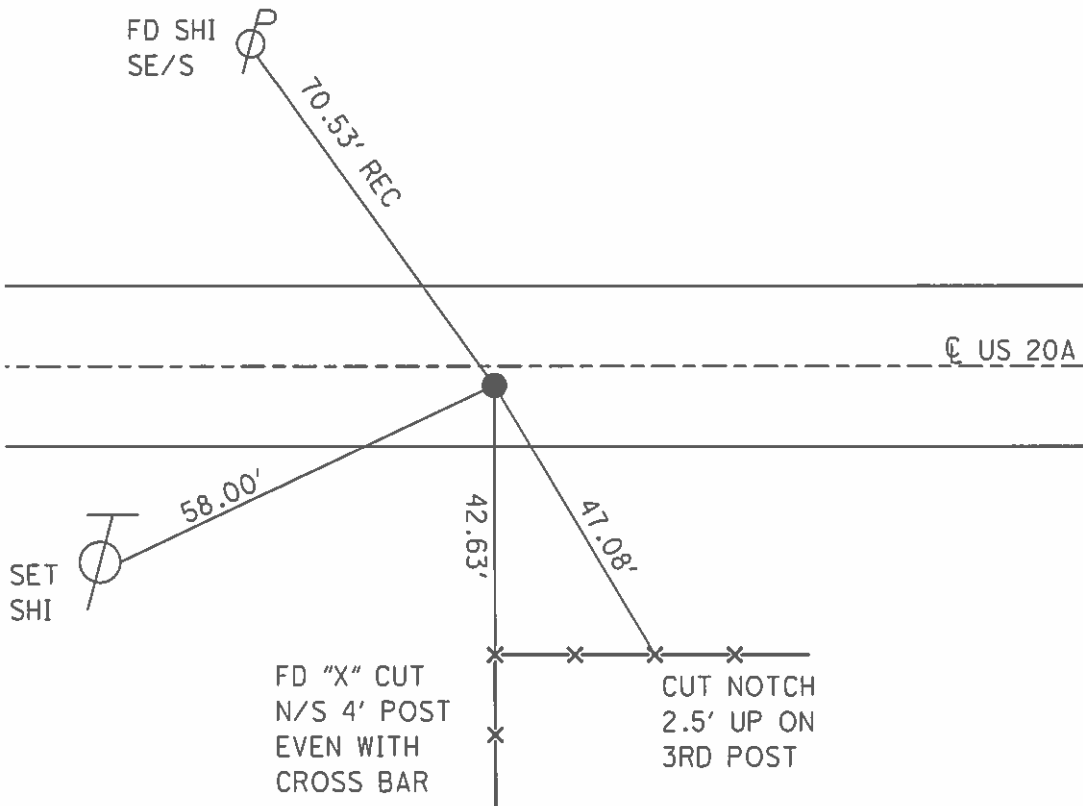
NOTES MICHALAK DATE 6/6/02 ROUTE US 20A
 H.C. ROUSOS WEATHER RAIN COUNTY FULTON
 R.C. MALINSKY TEMP. 65° TOWNSHIP GERMAN
 SECTION 10
T 7 N R 5 E

TYPE MONUMENT P.K./WASHER
 ON SURFACE - ~~BELOW~~ ON
~~LEFT~~ - CL PAV'T - RIGHT 0.4'
10.0' TO RT EDGE PAVEMENT
 S.L.M. 297+08
 GRID: NORTHING: _____ EASTING: _____



RECORD: OLD STA 297+09.8

SET MAG/WASHER
 4/22/03, DCH



CARTER LUMBER

O.D.O.T. DISTRICT 2 SURVEY OFFICE

PERSONNEL

REFERENCE NO. 12

SHEET 7 OF 30

NOTES MICHALAK

DATE 6-6-02

ROUTE U.S. 20-A

H.C. ROUSOS

WEATHER RAIN

COUNTY FULTON

R.C. MALINSKY

TEMP. 65°

TOWNSHIP GERMAN

SECTION 10

T 7 N R 5 E

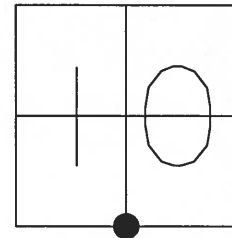
TYPE MONUMENT PK NAIL & WASHER

ON SURFACE - ~~BELOW~~ YES

~~LEFT~~ - Q PAV'T - RIGHT 0.4'

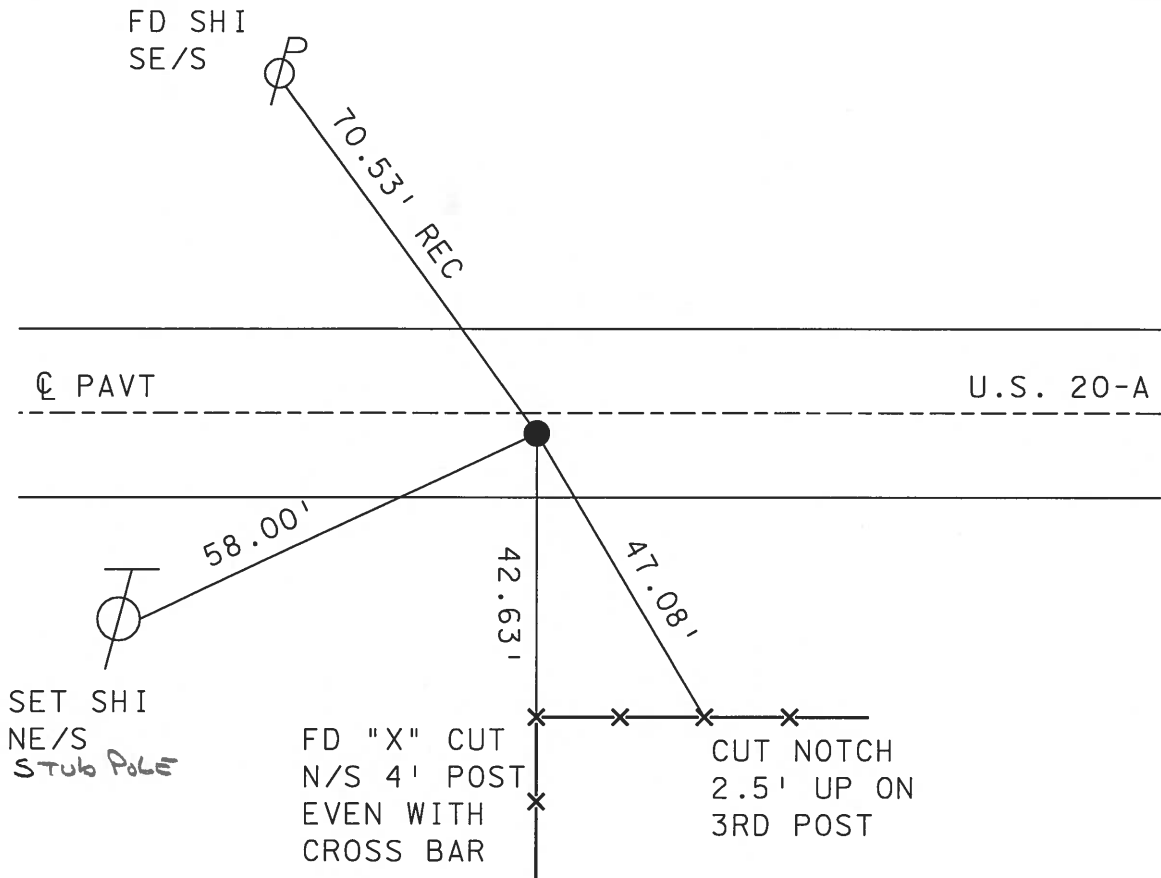
10.0 TO RT EDGE PAVEMENT

S.L.M. 297+08



RECORD: OLD STA 297+09.8

SET MAG NAIL
& WASHER
4-22-03
DCH



CARTER LUMBER

O.D.O.T. DISTRICT 2 SURVEY OFFICE

PERSONNEL _____

REFERENCE NO. 12

SHEET 7 OF 26

NOTES HOFFMAN

H.C. LOEHRKE

R.C. _____

DATE 8-9-89

WEATHER CLEAR

TEMP. 80

ROUTE US 20-A

COUNTY FULTON

TOWNSHIP GERMAN

SECTION 10

T 7 N R 5 E

TYPE MONUMENT P.K. Nail

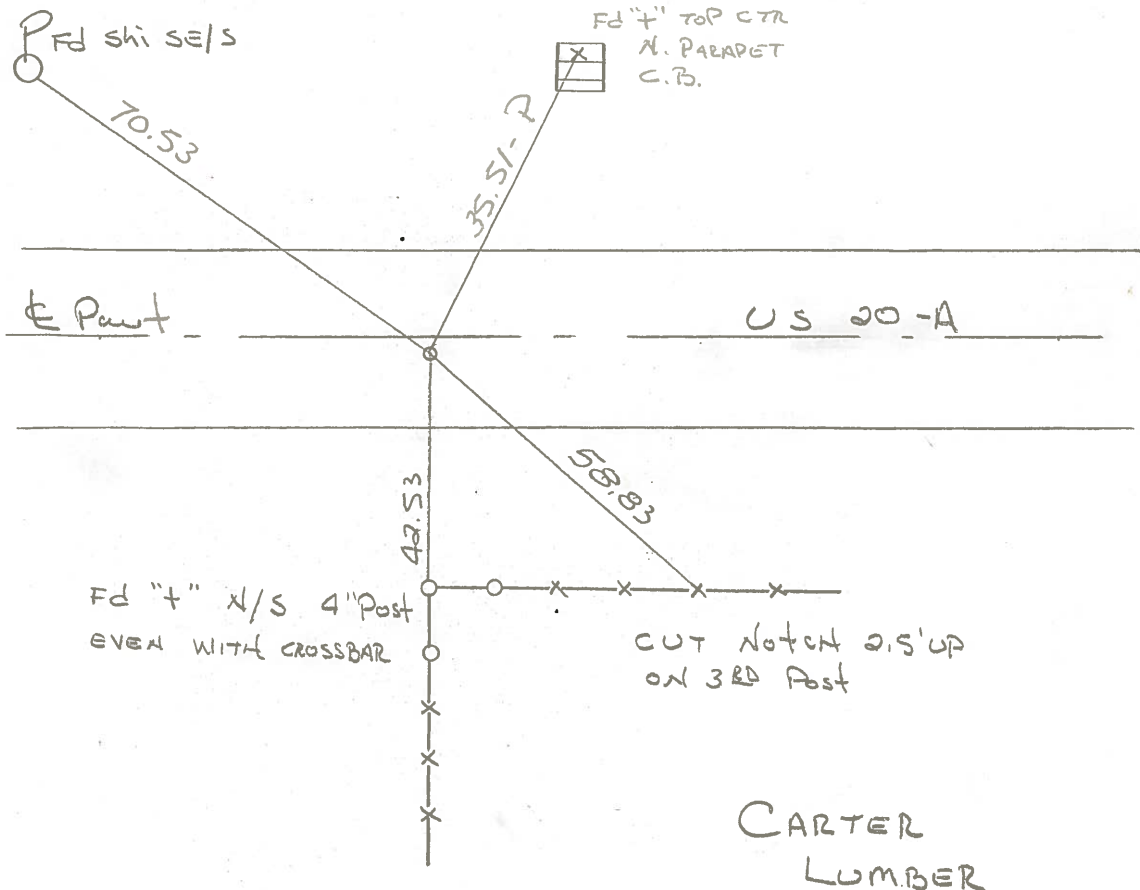
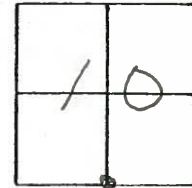
*Set P.K./WASHER
8-28-89 SWH*

ON SURFACE - BELOW YES

LEFT- & PAV'T. - RIGHT 0.4

10.0 TO R+ EDGE PAVEMENT

S.L.M. 296+90



Record: OLD STA 297+09.8

ODOT DISTRICT 2 SURVEY OFFICE

Sht. 7 of

County Fulton US-20A

Date 27 June 79

Township Green

Weather Warm

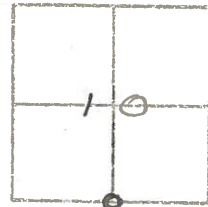
Section 10

Temp. 80°

T.N., R.E

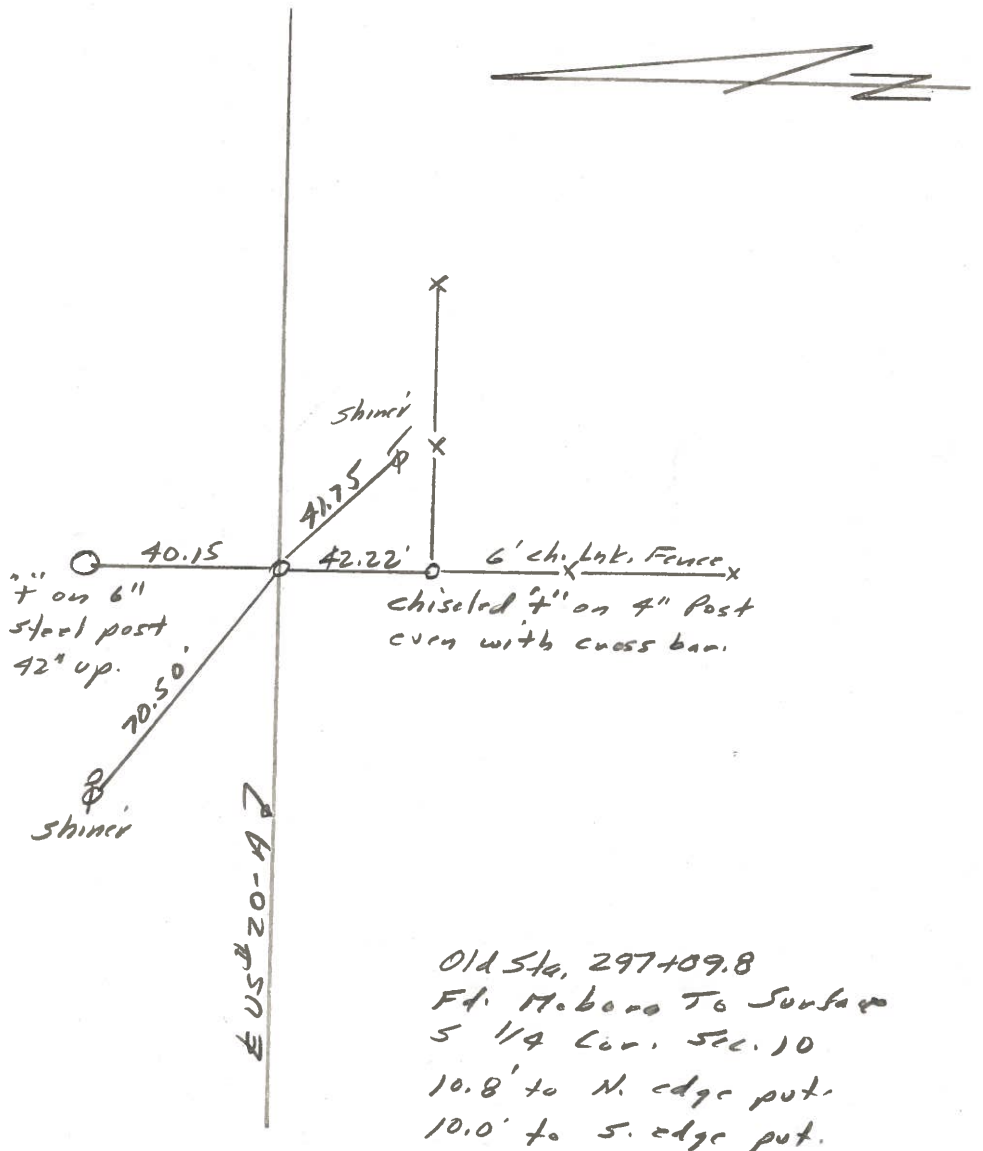
Personnel

- 1. Stone
- R. Michalak
- P. Nouse
- D. Curtis
- D. Grenada



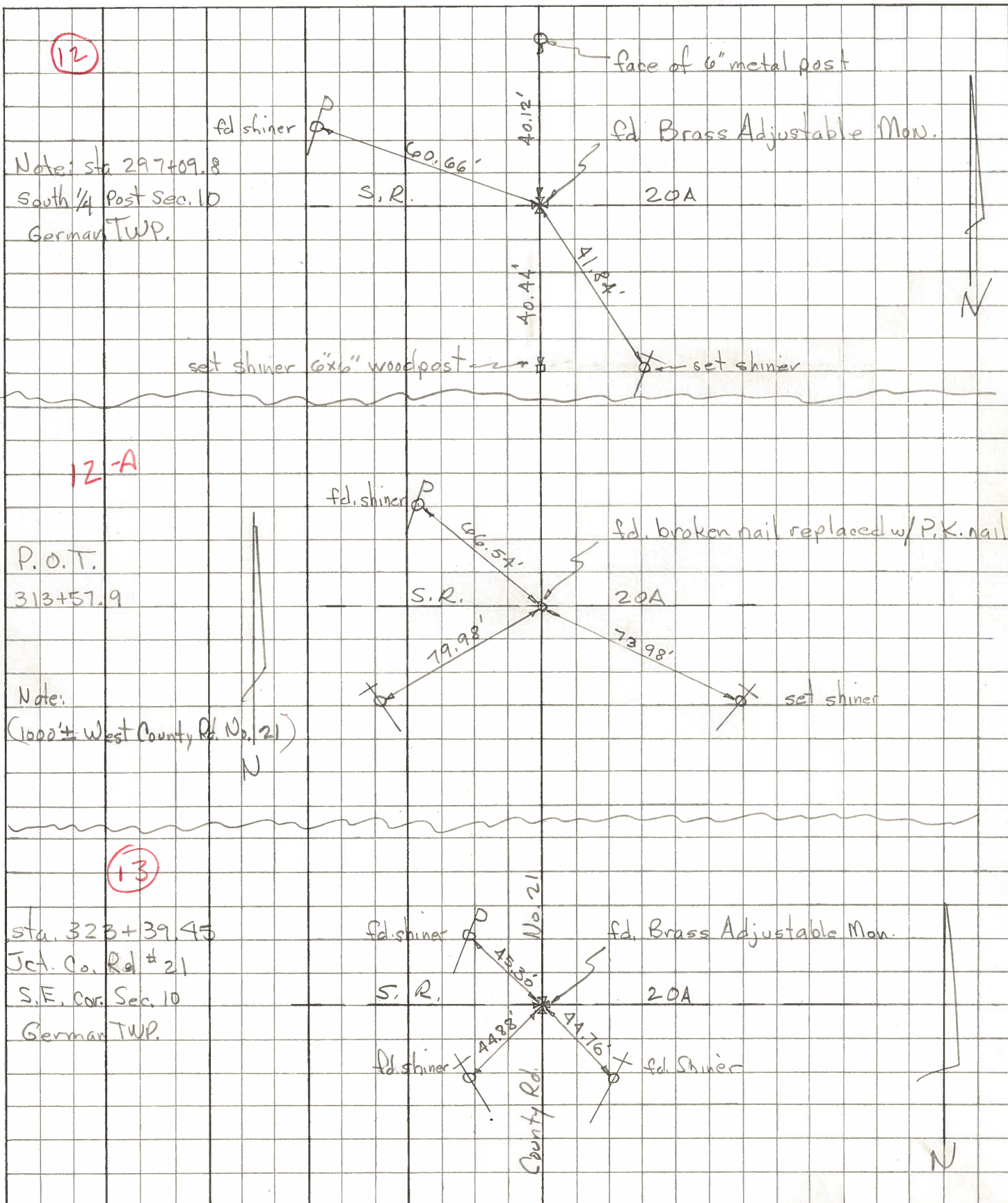
REF. NO. 12

SLM BLKTOP STA. 296+93



PERSONNEL	TITLE	PERSONNEL	TITLE	COUNTY	DATE	WEATHER	TEMP.
Tomsic				Fulton	Feb. 12, 1973		
Neuser				S. R. U.S. 20A			
Vanyo				SEC. German			
Granata							

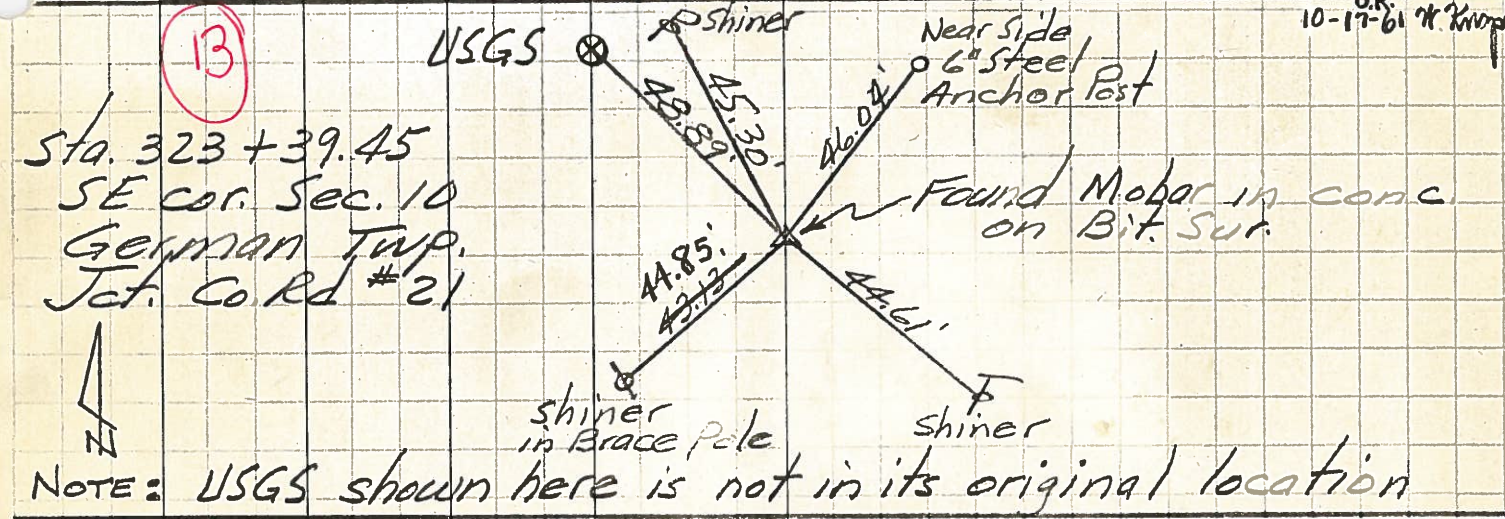
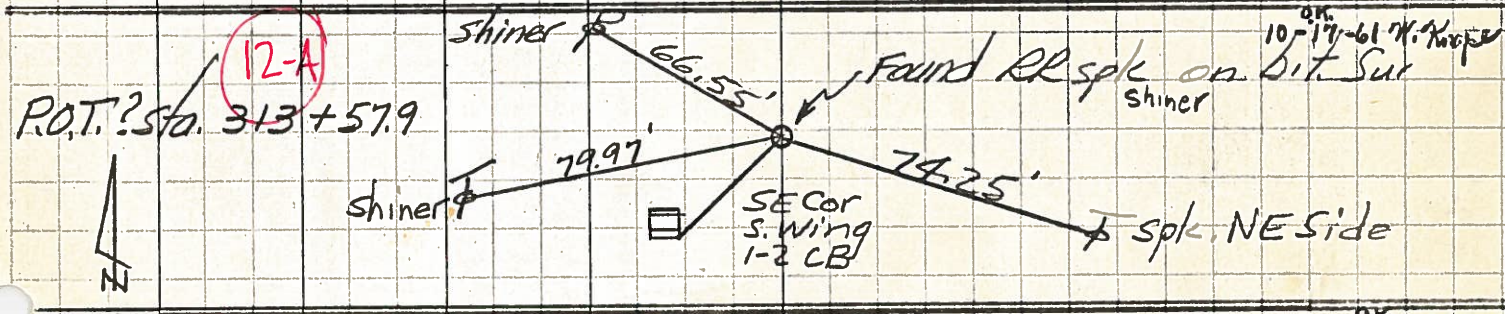
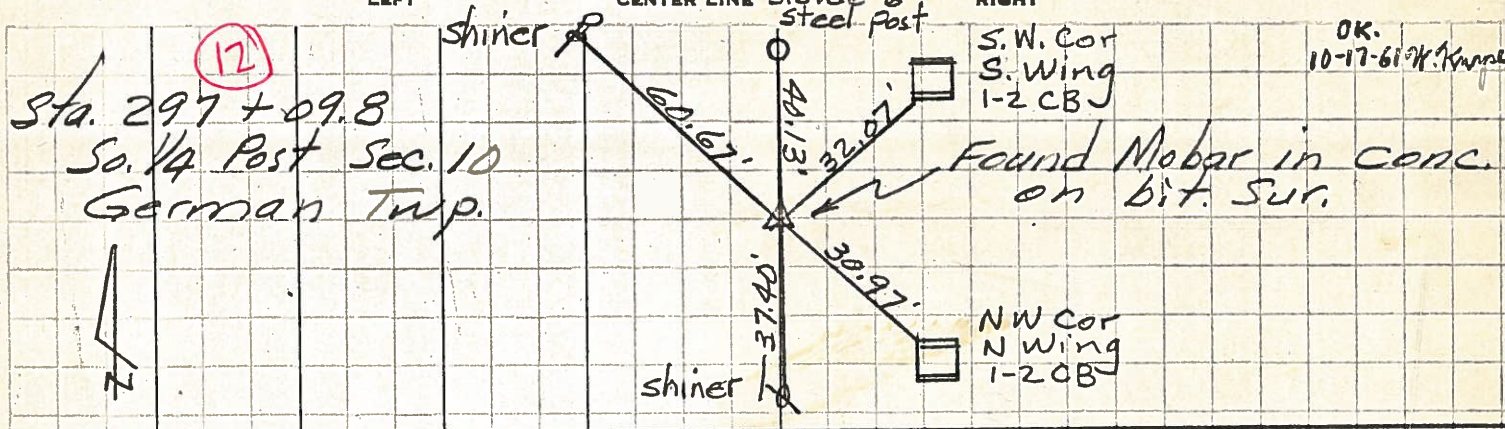
DESCRIPTION _____ LEFT _____ CENTER LINE _____ RIGHT _____ JOB NO. _____



PERSONNEL	TITLE	PERSONNEL	TITLE
Beach			
Armbruster			
Knape			

COUNTY Fulton DATE 11 July 58
 S. R. US-20A WEATHER _____
 SEC. 4.13 TEMP. _____

DESCRIPTION _____ JOB NO. 02276



NOTE: USGS shown here is not in its original location

