

O.D.O.T. DISTRICT 2 SURVEY OFFICE (USE ONLY)

PERSONNEL \_\_\_\_\_

REFERENCE NO. 41

SHEET 12 OF 14

NOTES NIESE

DATE 4-27-21

ROUTE US 20 A

H.C. AUBLE

WEATHER WINDY

COUNTY FULTON

R.C. NIESE

TEMP. 65°

TOWNSHIP SWAN CREEK

DWG BY AUBLE PID 101295

SECTION 17

T 7 N R 8 E

TYPE MONUMENT SM.R.R.SPIKE

ON SURFACE - ~~BELOW~~ ON

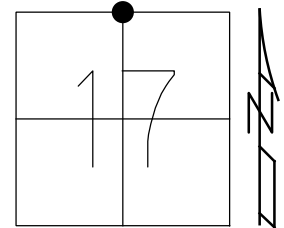
OFFSET ☉ PAVEMENT ON LT : RT

- TO - EDGE PAVEMENT

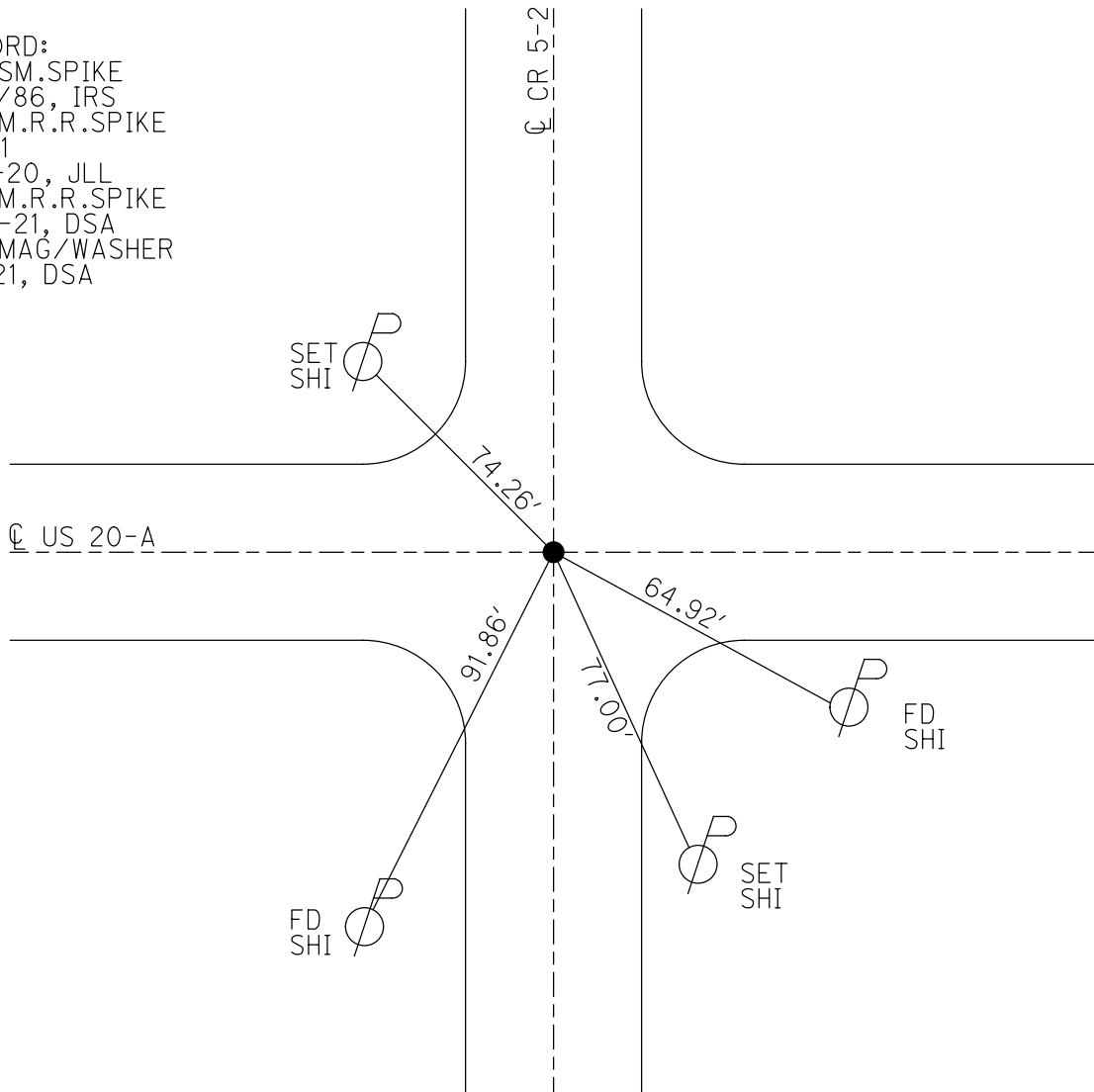
STATION: 1146+07

HORZ.DATUM: NAD83(2011) GEOID: 12A

GRID: NORTHING: 698333.882 EASTING: 1566313.614



RECORD:  
 SET SM.SPIKE  
 9/15/86, IRS  
 FD SM.R.R.SPIKE  
 REF 41  
 1-23-20, JLL  
 FD SM.R.R.SPIKE  
 4-27-21, DSA  
 SET MAG/WASHER  
 11-1-21, DSA



O.D.O.T. DISTRICT 2 SURVEY OFFICE (USE ONLY)

PERSONNEL

REFERENCE NO. 41

SHEET 12 OF 14

NOTES STONE

DATE 3/4/86

ROUTE US 20 A

H.C. CURTIS

WEATHER COOL

COUNTY FULTON

R.C. HOUSEHOLDER

TEMP. 35°

TOWNSHIP SWAN CREEK

MICHALAK

SECTION 17

DWG BY NIESE PID \_\_\_\_\_

T 7 N R 8 E

TYPE MONUMENT SM. SPIKE

~~ON SURFACE~~ - BELOW 1"

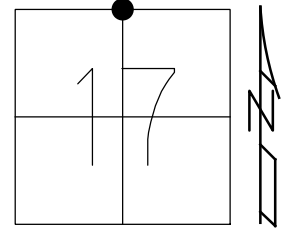
OFFSET  $\odot$  PAVEMENT ON LT : RT

- TO - EDGE PAVEMENT

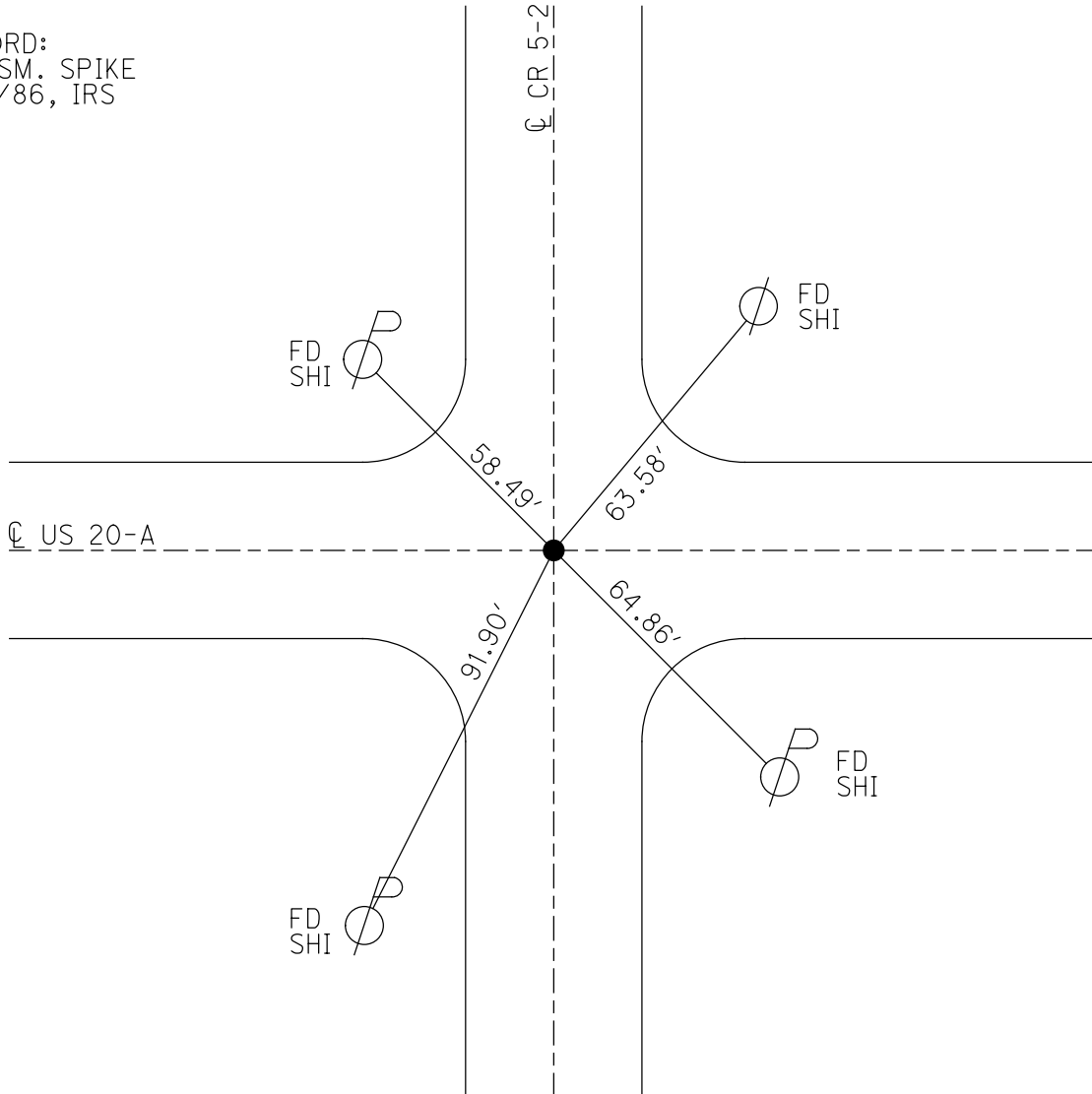
STATION: 1146+07

HORZ. DATUM: - GEOID: -

GRID: NORTHING: - EASTING: -



RECORD:  
SET SM. SPIKE  
9/15/86, IRS



# O.D.O.T. DISTRICT 2 SURVEY OFFICE

PERSONNEL

REFERENCE NO. 41

SHEET 2 OF       

NOTES 1. Stone

H.C. D. Curtis

R.C. J. Hauscholden

R. Michalak

DATE 7 March 86

WEATHER Cool

TEMP. 35.0

ROUTE US #20A

COUNTY Fulton

TOWNSHIP Swain Creek

SECTION 8

T        R       

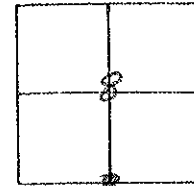
TYPE MONUMENT Small Spk.

ON SURFACE - BELOW 1" deep

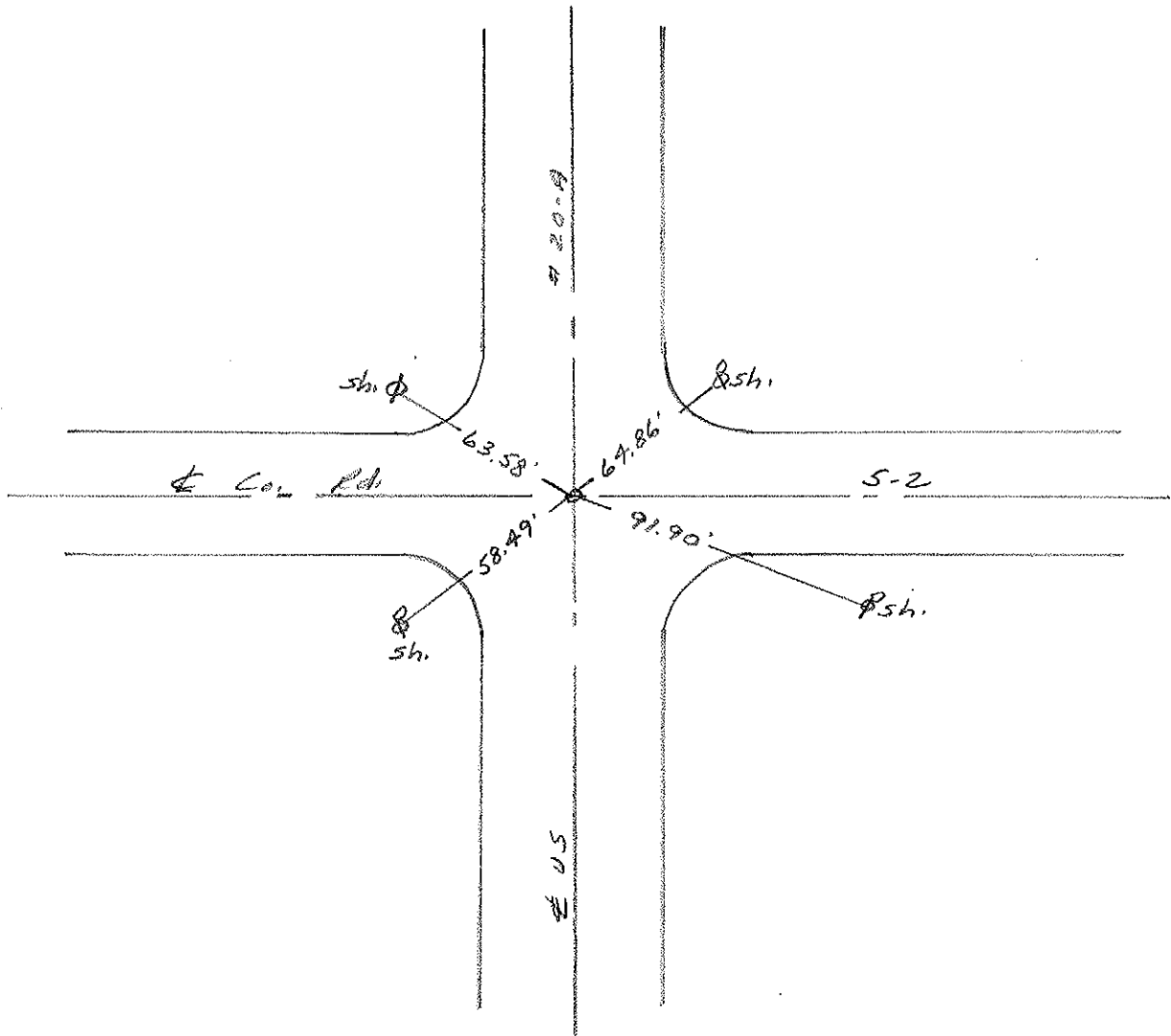
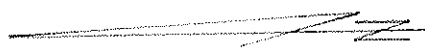
LEFT- & PAV'T. - RIGHT       

       TO        EDGE PAVEMENT

S.L.M. 1146+07



*Set Small Spk. 9/15/86 1RS*



County FULTON <sup>U.S.</sup> ~~S.P.~~ 20-A

Township SWAN CREEK

Section 8

TZN, R\_E

Personnel HOFFMAN

HOUSEHOLDER

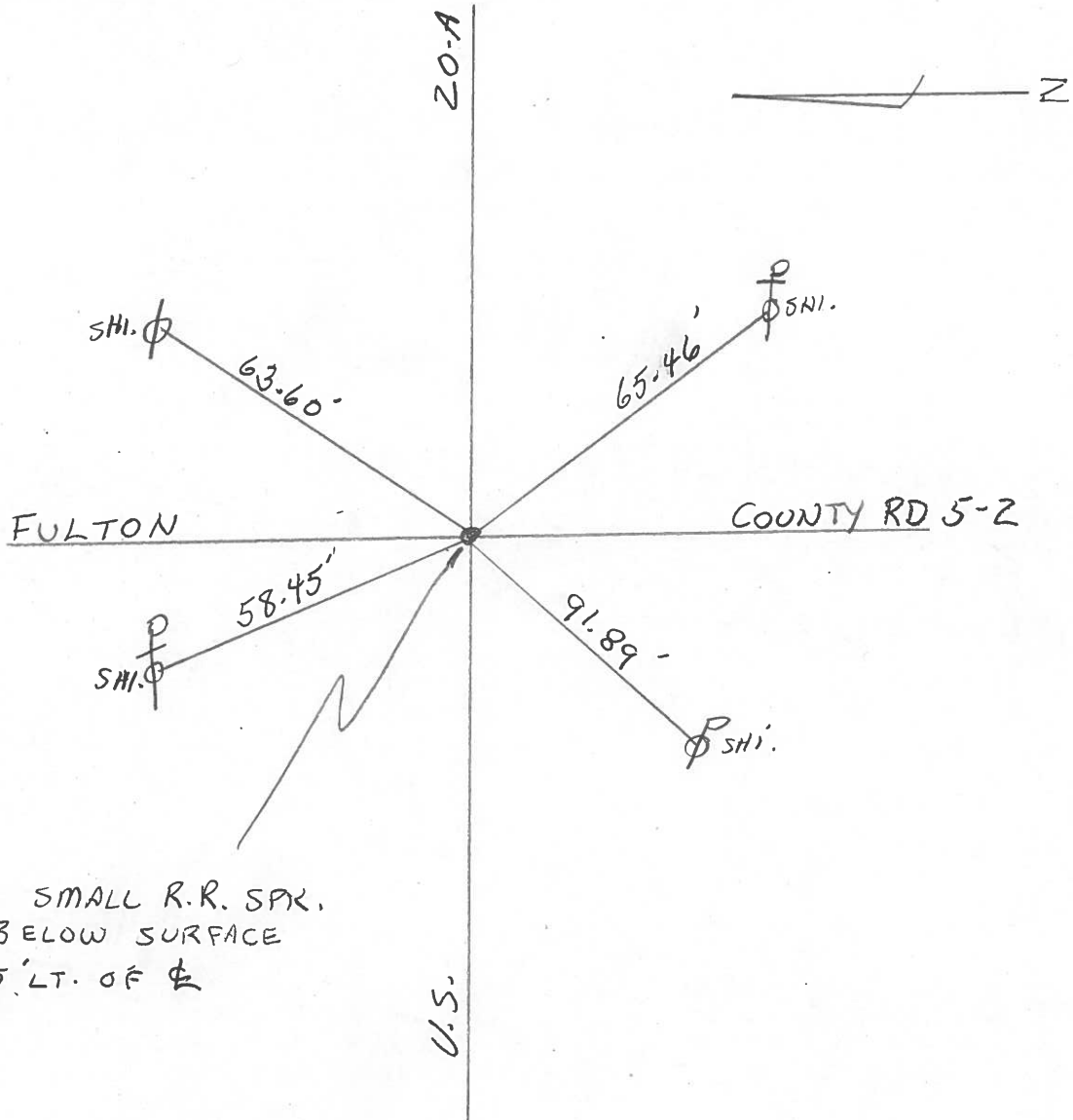
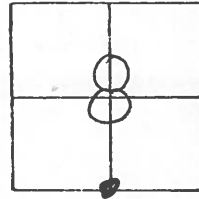
LOEHRKE

#41

Date 4-28-82

Weather \_\_\_\_\_

Temp. +60°



FOUND SMALL R.R. SPR.  
1" BELOW SURFACE  
0.5' LT. OF  $\Phi$

PERSONNEL TITLE PERSONNEL TITLE

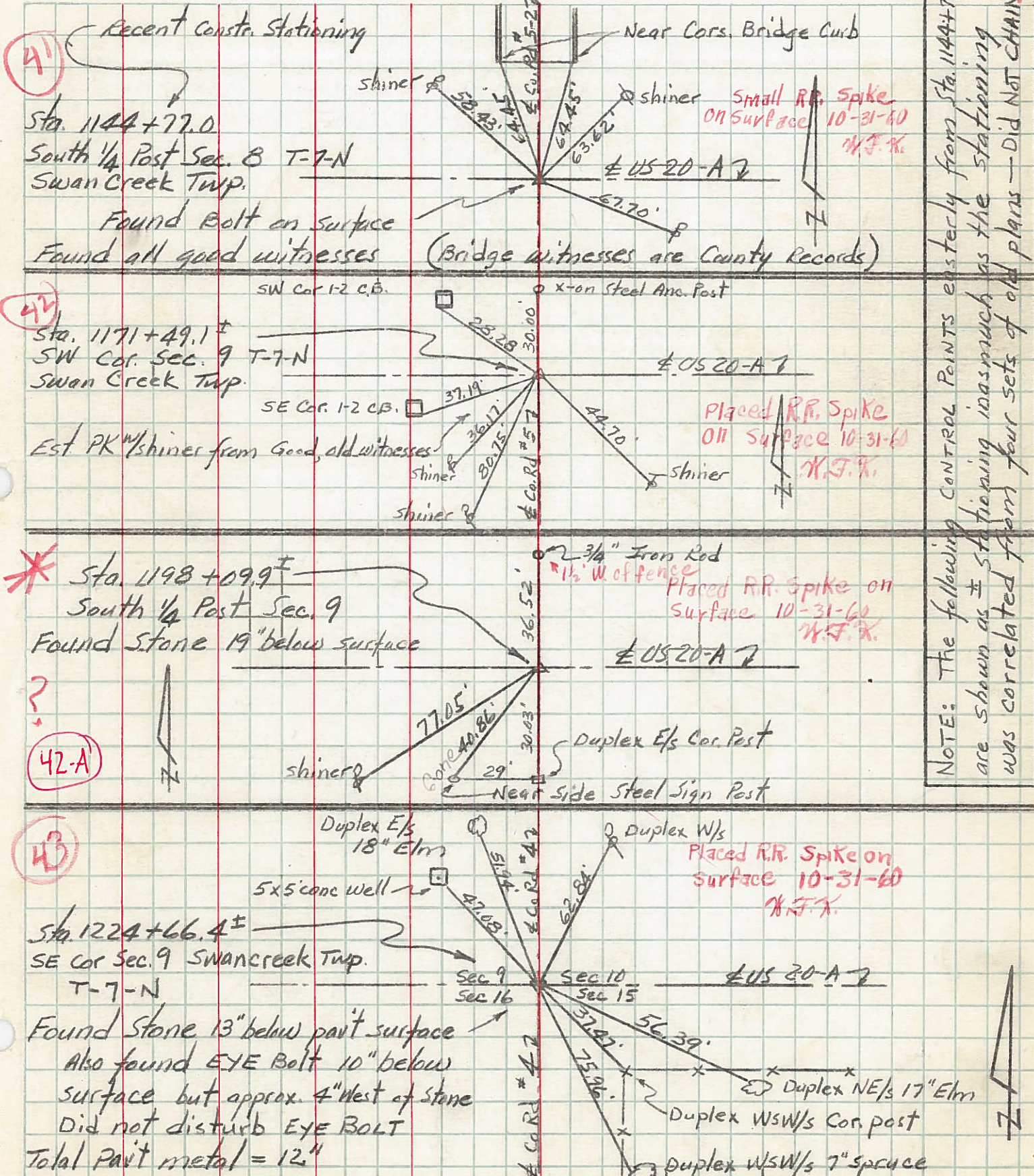
Bench COUNTY Fulton DATE Jan 1960

Knape S. R. US 20-A WEATHER

Hoff SEC. Delta. - Sumpton TEMP.

Gunter DESCRIPTION CONTROL POINTS JOB NO. 11-1-61

Clapp LEFT CENTER LINE RIGHT



NOTE: The following CONTROL POINTS easterly from Sta. 1144+77.0 are shown as ± stationing inasmuch as the stationing was correlated from four sets of old plans — DID NOT CHAIN

41

42

\* 43-A

43

Recent Constr. Stationing  
 Sta. 1144+77.0  
 South 1/4 Post Sec. 8 T-7-N  
 Swan Creek Twp.  
 Found Bolt on surface  
 Found all good witnesses (Bridge witnesses are County Records)

SW Cor. 1-2 C.B.  
 Sta. 1171+49.1 ±  
 SW Cor. Sec. 9 T-7-N  
 Swan Creek Twp.  
 Est PK w/ shiner from Good, old witnesses

\* Sta. 1198+09.9 ±  
 South 1/4 Post Sec. 9  
 Found Stone 19" below surface

shiner  
 Duplex E/s Cor. Post  
 Near Side Steel Sign Post

Duplex E/s 18" Elm  
 5x5 conc well  
 Sta. 1224+66.4 ±  
 SE Cor. Sec. 9 SWANCRICK TWP.  
 T-7-N  
 Found Stone 13" below part surface  
 Also found EYE Bolt 10" below surface but approx. 4" west of stone  
 Did not disturb EYE BOLT  
 Total Part metal = 12"

Near Cors. Bridge Curb  
 shiner  
 Small RR Spike ON SURFACE 10-31-60 W.J.K.  
 ± US 20-A

x-on Steel Ana. Post  
 ± US 20-A  
 Placed RR Spike ON SURFACE 10-31-60 W.J.K.  
 shiner

3/4" Iron Rod 1/2' W. of fence  
 Placed RR Spike on Surface 10-31-60 W.J.K.  
 ± US 20-A

Sec 9 Sec 16  
 Sec 10 Sec 15  
 ± US 20-A  
 Placed RR Spike on surface 10-31-60 W.J.K.  
 Duplex W/S  
 Duplex W/S W/s Cor. post  
 Duplex W/S W/s 7" spruce

PERSONNEL	TITLE	PERSONNEL	TITLE	COUNTY	DATE
<u>Mennitt</u>				<u>Fulton</u>	<u>7-8-59</u>
<u>Tomic</u>				S. R. <u>#2 &amp; 20A</u>	WEATHER <u>Cloudy</u>
<u>Boek</u>				SEC.	TEMP. <u>88°</u>
DESCRIPTION	CONT. POINT LOCATION			JOB NO.	<u>02342</u>

DESCRIPTION	LEFT	CENTER LINE	RIGHT
67+54.8 = & Co. Rd. # 5-2		0+00 = 68+14.80	
P.I. @ S.R. # 2 & 20A. & County (Fulton) Rd. # 5-2			
Spk.			
	58.43	N.W. to Shiner in	♂
	63.60	N.E. " " "	♀
	67.64	S.E. " " "	♂
94+26.9 old sta. 1932 = 26+12.1 now			
old Ref. are no-good			
Found Nail in shiner on & at Co. Rd. 5. &			
	44.70	SE. to Shiner in	♂
	80.75	S.S.W. " " "	♂
	36.17	S.W. " " "	♂
120+ 87.7 Could Not Find			
132+ 45.3 = 0+00 on 1925 Plan <sup>64+30.5</sup> v Could not find			
15+04.7 (1925 Plans) = 79+35.2			Could not find.
41+63.8 (1925 plans) = 105+ 94.3			R.R. Spk Found.
	30.27	N. to "4" in Iron Fence Post	
	41.67	N.E. to Shiner in	♂
	44.18	S.E. " " "	♂
55+22.5 (1925 plans) = 119+ 53			Iron Bolt Found
	60.08	S.W. to Shiner in	♂
	81.97	S.E. to " " "	♂
	34.62	N.W. " " "	♂